



US00D904677S

(12) **United States Design Patent**
Russell

(10) **Patent No.:** **US D904,677 S**

(45) **Date of Patent:** **** Dec. 8, 2020**

(54) **VEHICLE CORNER PROTECTOR**

(71) Applicant: **Omix-ADA, Inc.**, Suwanee, GA (US)

(72) Inventor: **Eric Russell**, Stone Mountain, GA (US)

(73) Assignee: **OMIX-ADA, INC.**, Suwanee, GA (US)

(**) Term: **15 Years**

(21) Appl. No.: **29/626,013**

(22) Filed: **Nov. 14, 2017**

(51) **LOC (12) Cl.** **26-99**

(52) **U.S. Cl.**
USPC **D26/139**

(58) **Field of Classification Search**
USPC D12/98, 139, 167, 190, 400; D26/28-36,
D26/139
CPC B60Q 1/0005; B60Q 1/2615; B60Q 1/30;
F21S 48/00; F21S 48/10; F21S 48/115;
F21S 48/225; F21S 48/1233; F21S
48/1266; F21S 48/1388; F21S 48/2268;
B62D 25/145; B25F 1/00

See application file for complete search history.

(56) **References Cited**

U.S. PATENT DOCUMENTS

D318,537 S * 7/1991 Allman B62D 25/145
D26/139
D364,704 S * 11/1995 Alger B25F 1/00
D12/167
D387,469 S * 12/1997 Saleen D26/139
D390,821 S * 2/1998 Thorne D12/190

D540,977 S * 4/2007 Hunkins D26/119
D544,642 S * 6/2007 Elwell D26/139
D632,424 S * 2/2011 Fesler B60Q 1/2615
D26/139
D721,454 S * 1/2015 King D26/139
D802,810 S * 11/2017 Johns D26/28
D825,832 S * 8/2018 Lin D26/139
10,059,251 B2 * 8/2018 Bennett B60Q 1/2615
D892,009 S * 8/2020 Russell D12/190
2014/0311092 A1 * 10/2014 Flores B25F 1/00
53/410
2016/0229365 A1 * 8/2016 Abe B62D 25/145

* cited by examiner

Primary Examiner — Susan E Krakower

Assistant Examiner — Jerry Shiuan-Hua Hsu

(74) *Attorney, Agent, or Firm* — The Dobrusin Law Firm, P.C.

(57) **CLAIM**

The ornamental design for a vehicle corner protector, as shown and described.

DESCRIPTION

FIG. 1 is a right rear perspective view of a vehicle corner protector showing my new design.

FIG. 2 is a rear elevational view thereof.

FIG. 3 is a front elevational view thereof.

FIG. 4 is a right side elevational view thereof.

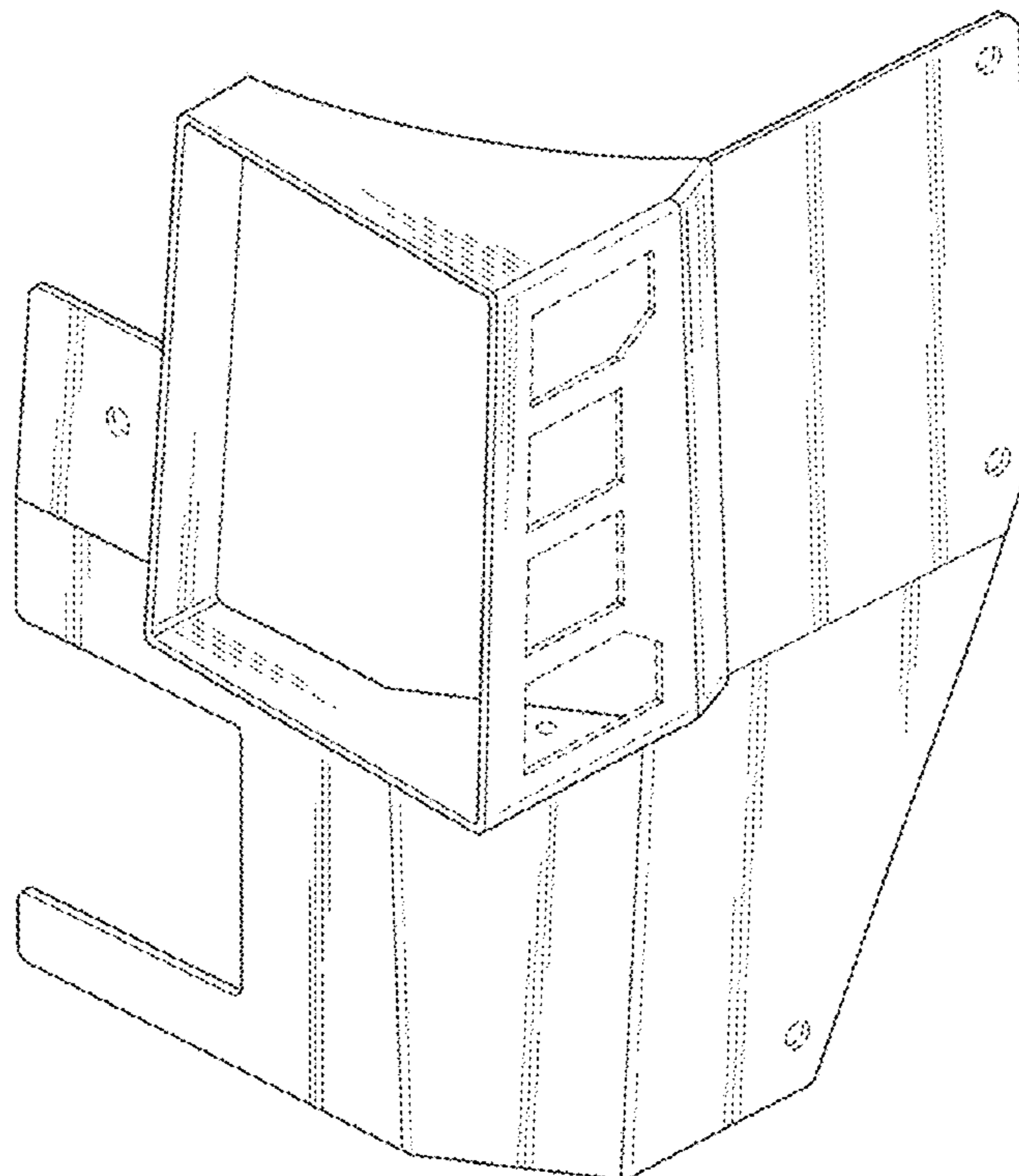
FIG. 5 is a left side elevational view thereof.

FIG. 6 is a top plan view thereof; and,

FIG. 7 is a bottom plan view thereof.

The broken lines illustrate portions of the vehicle corner protector that form no part of the claimed design.

1 Claim, 5 Drawing Sheets



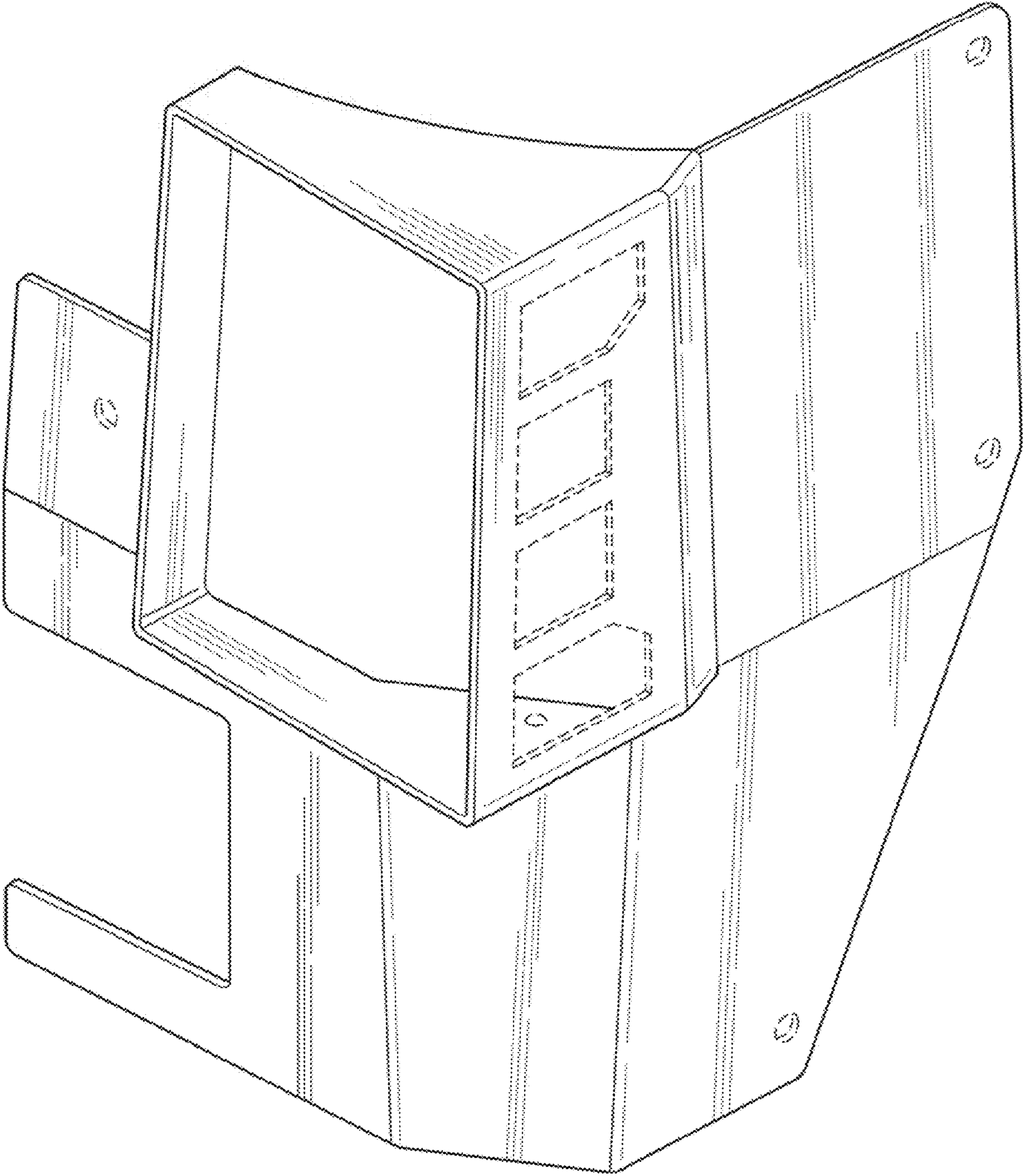


Fig. 1

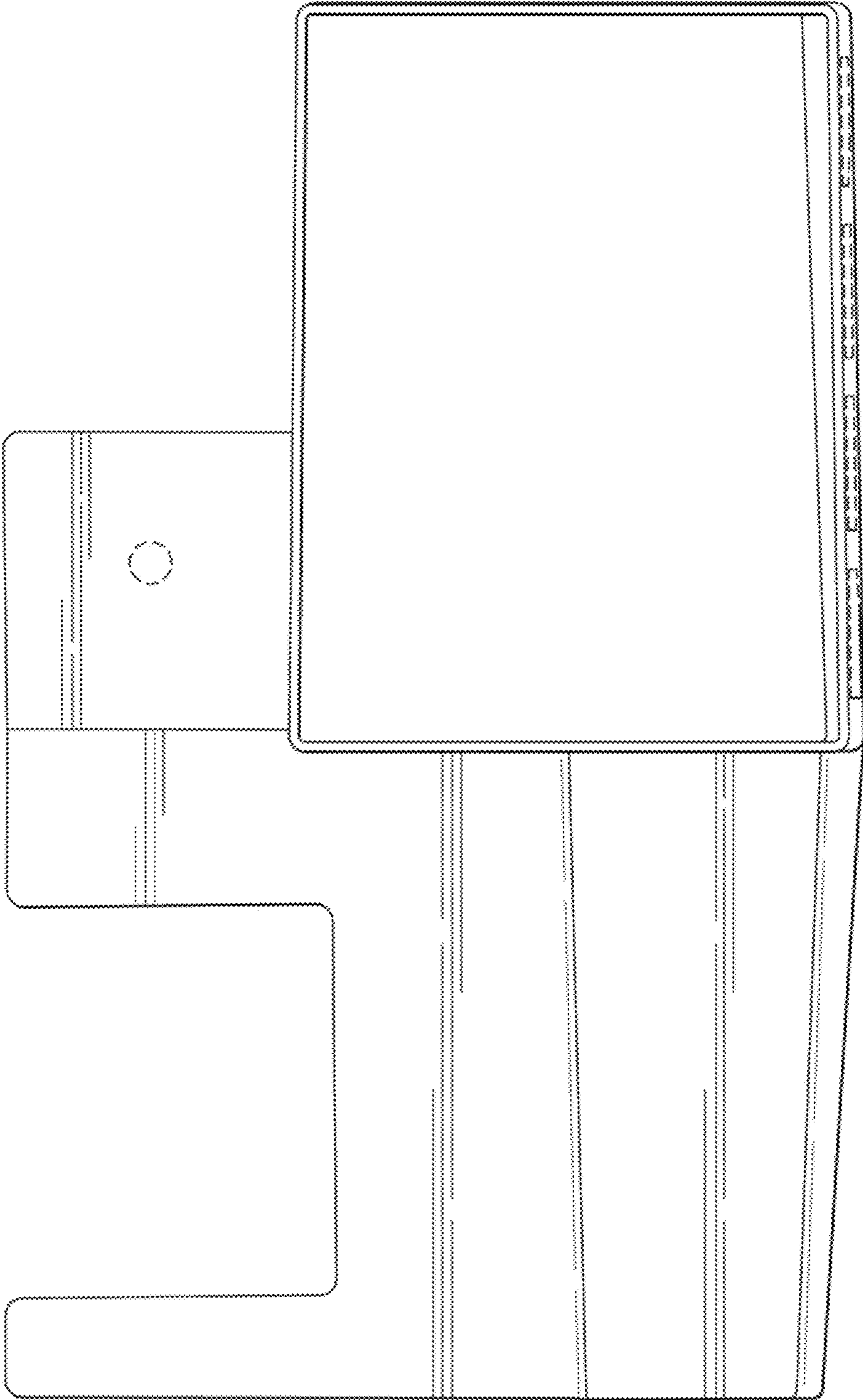


Fig. 2

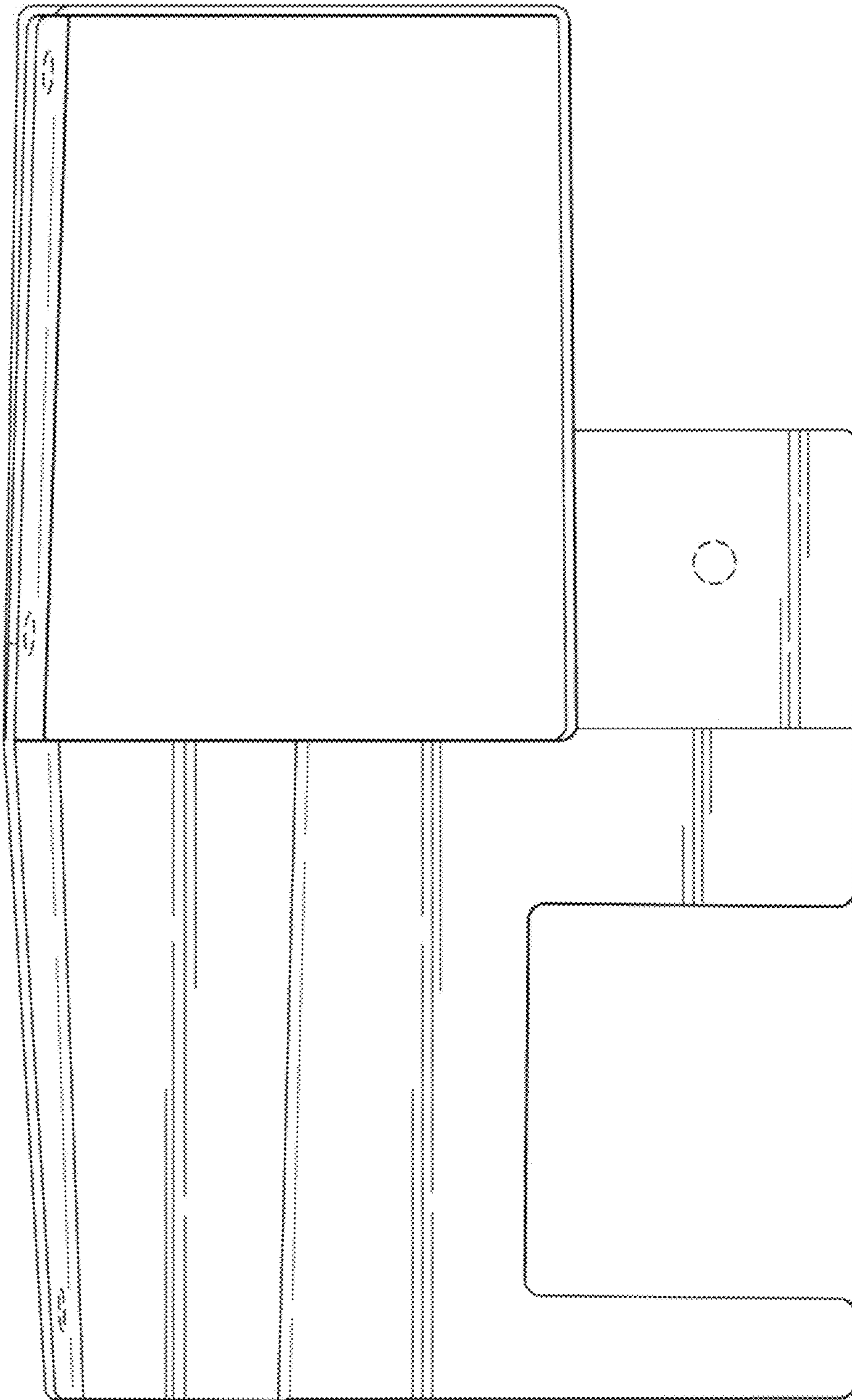


Fig. 3

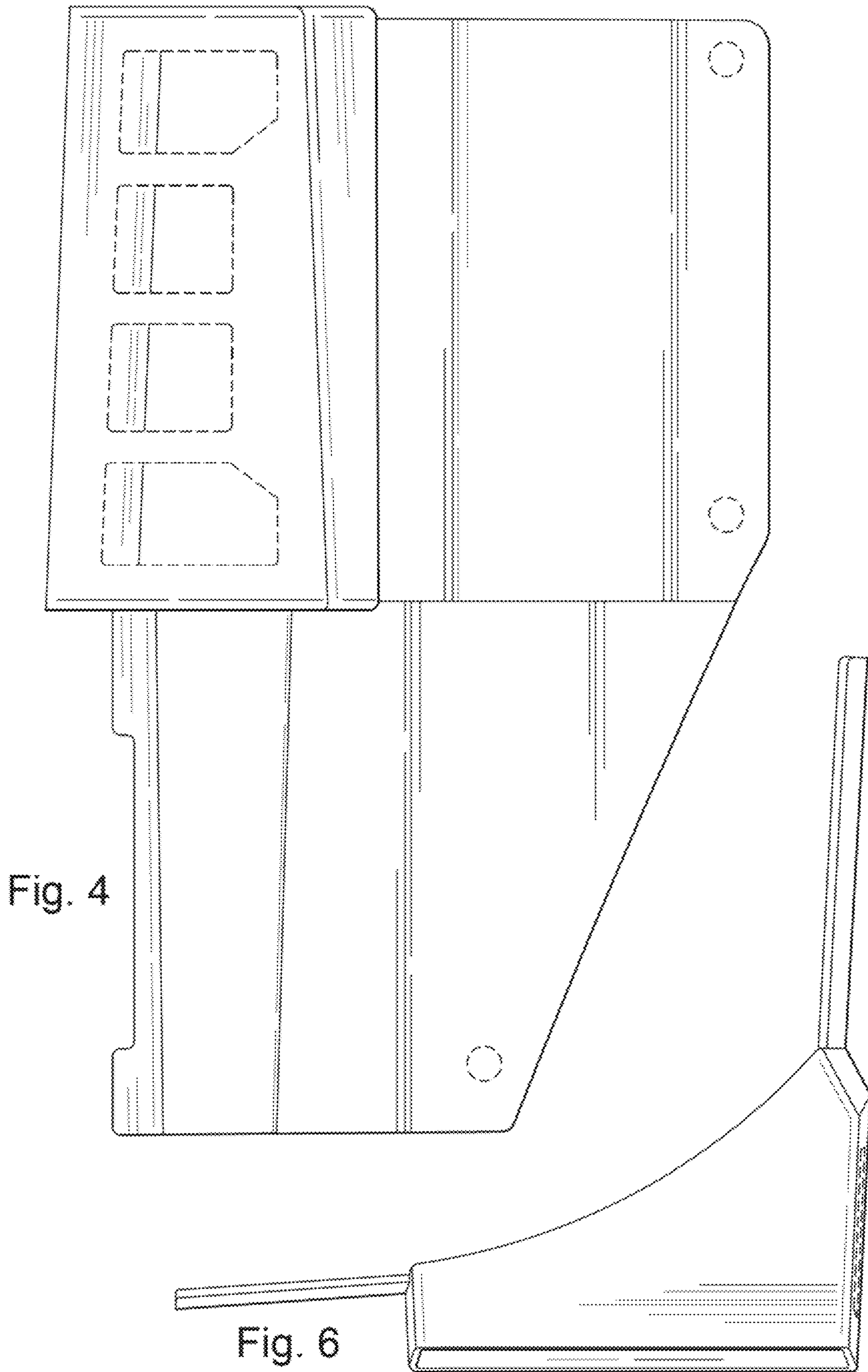


Fig. 5

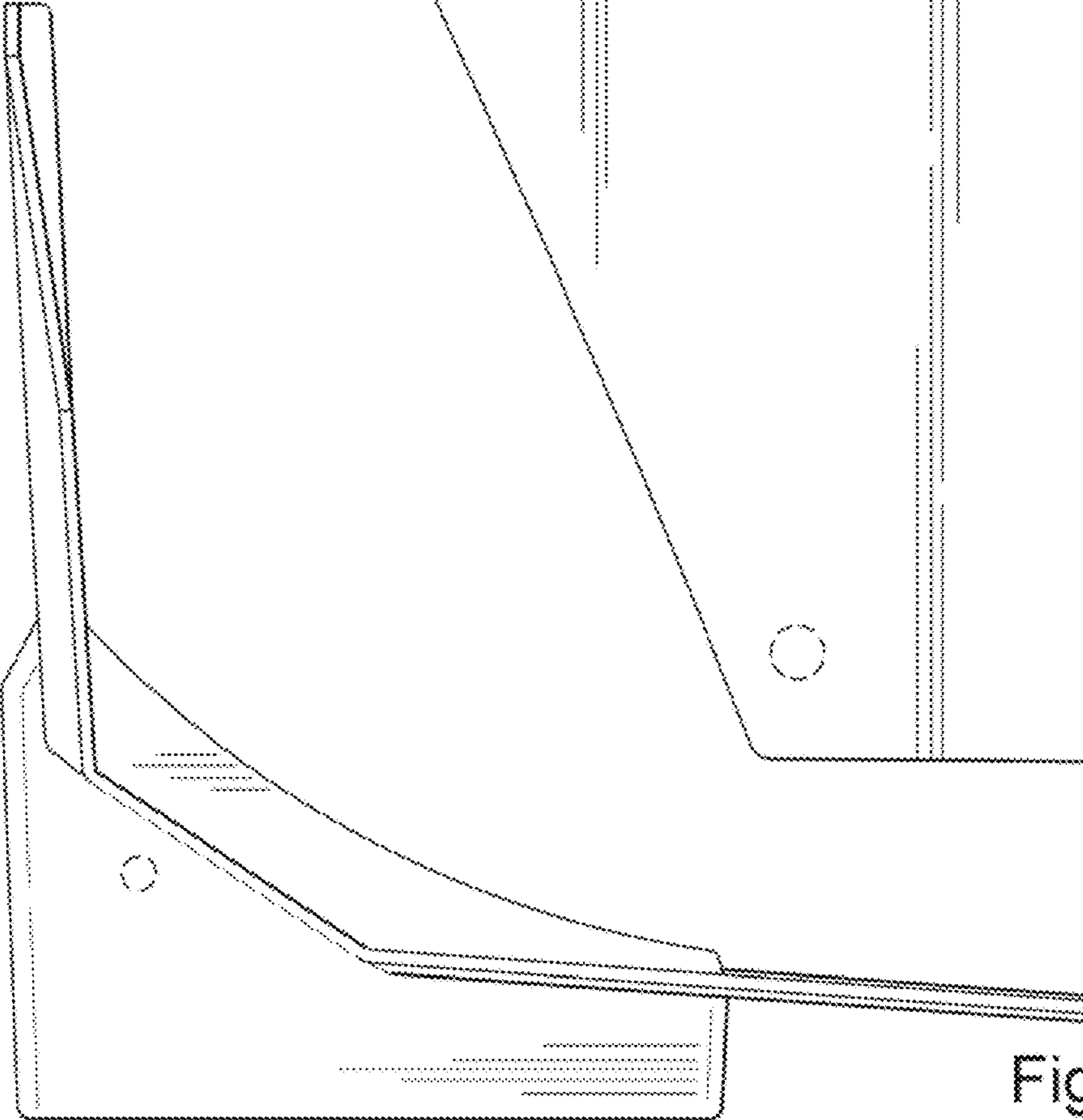
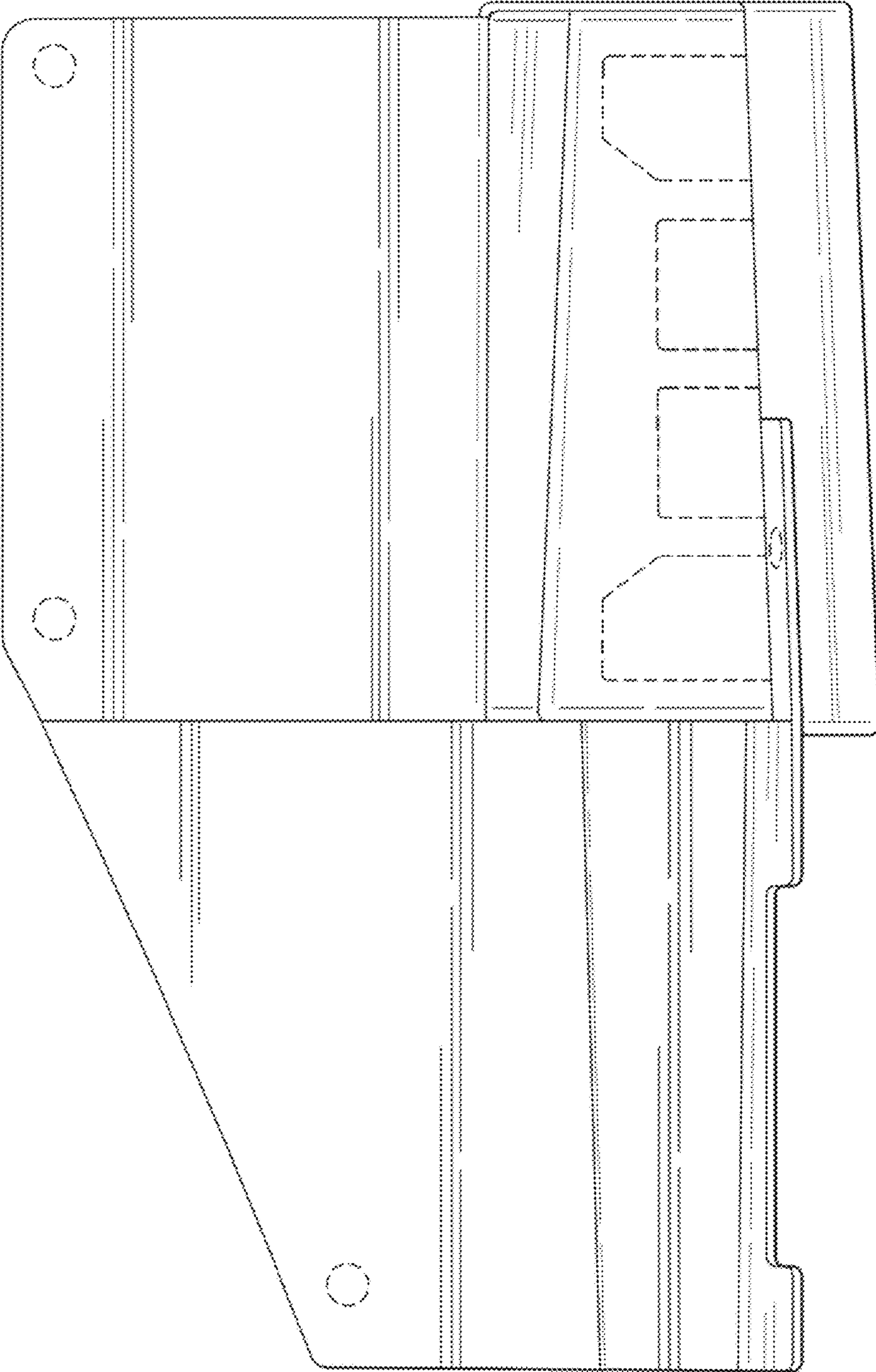


Fig. 7