



US00D904676S

(12) **United States Design Patent**  
**Reynolds**

(10) **Patent No.:** **US D904,676 S**

(45) **Date of Patent:** **\*\* Dec. 8, 2020**

(54) **DOUBLE ENDED LAMP REFLECTOR KIT**

(71) Applicant: **HGCI, INC.**, Las Vegas, NV (US)

(72) Inventor: **Christopher Reynolds**, Vancouver, WA (US)

(73) Assignee: **HGCI, Inc.**, Las Vegas, NV (US)

(\*\*) Term: **15 Years**

(21) Appl. No.: **29/680,601**

(22) Filed: **Feb. 18, 2019**

**Related U.S. Application Data**

(62) Division of application No. 29/562,651, filed on Apr. 27, 2016, now Pat. No. Des. 847,394, which is a division of application No. 29/481,879, filed on Feb. 11, 2014, now Pat. No. Des. 758,646.

(51) **LOC (12) Cl.** ..... **26-05**

(52) **U.S. Cl.**  
USPC ..... **D26/138**

(58) **Field of Classification Search**  
USPC ..... D26/63, 72, 74, 76, 78-83, 85, 86, 88, D26/90, 93, 111, 113, 118, 119, 120, 121, D26/122, 138, 139, 140, 141, 142, 152  
CPC ..... F21S 2/00; F21S 4/00; F21S 4/003; F21S 4/005; F21S 4/006; F21S 4/007; F21S 4/008; F21S 6/00; F21S 8/00; F21S 8/024; F21S 8/026; F21S 8/031; F21S 8/033; F21S 8/035-037; F21S 8/04; F21S 8/043; F21S 8/063  
See application file for complete search history.

(56) **References Cited**

**U.S. PATENT DOCUMENTS**

D621,989 S \* 8/2010 Proner ..... D26/76  
D629,553 S \* 12/2010 Gielen ..... D26/76

D629,554 S \* 12/2010 Gielen ..... D26/76  
D631,841 S \* 2/2011 Urano ..... D13/134  
D662,653 S \* 6/2012 Hochman ..... D26/138  
D724,257 S \* 3/2015 Klus ..... D26/141  
D724,259 S \* 3/2015 Klus ..... D26/141  
D731,700 S \* 6/2015 Santoro ..... D26/118  
D732,225 S \* 6/2015 Grandsart ..... D26/75  
D747,539 S \* 1/2016 Santoro ..... D26/120  
D758,646 S \* 6/2016 Reynolds ..... D26/138  
D773,111 S \* 11/2016 Huyghe ..... D26/138  
D799,720 S \* 10/2017 Tress ..... D25/119  
D805,233 S \* 12/2017 Verfuerrth ..... D26/76  
D808,566 S \* 1/2018 Goetz-Schaefer ..... D26/76  
D846,786 S \* 4/2019 Tremaine ..... D26/76  
D847,394 S \* 4/2019 Reynolds ..... D26/76  
D886,354 S \* 6/2020 Snell ..... D26/76  
D888,314 S \* 6/2020 Mangold ..... D26/76

\* cited by examiner

*Primary Examiner* — Natasha Vujcic

(74) *Attorney, Agent, or Firm* — Ulmer & Berne LLP

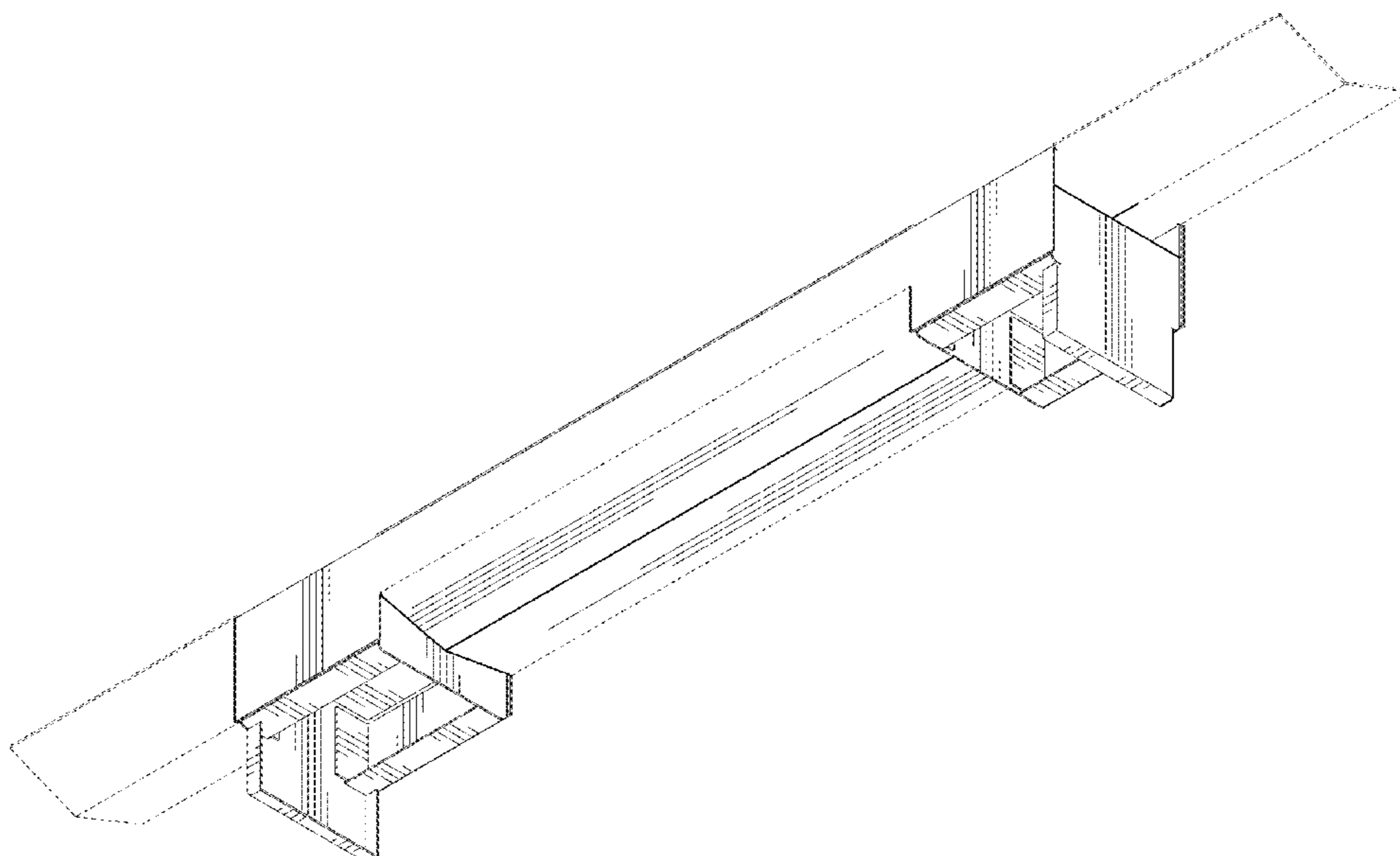
(57) **CLAIM**

The ornamental design for a double ended lamp reflector kit, as shown and described.

**DESCRIPTION**

FIG. 1 is a perspective view of a double ended lamp reflector kit, as viewed from below, showing my new design; FIG. 2 is a left side view of the kit shown in FIG. 1; FIG. 3 is a right side view of the kit shown in FIG. 1; FIG. 4 is a front elevation view of the kit shown in FIG. 1; FIG. 5 is a rear elevation view of the kit shown in FIG. 1; FIG. 6 is a top plan view of the kit shown in FIG. 1; and, FIG. 7 is a bottom plan view of the kit shown in FIG. 1. The broken lines in the drawings illustrate portions of the double ended lamp reflector kit which form no part of the claimed design.

**1 Claim, 3 Drawing Sheets**



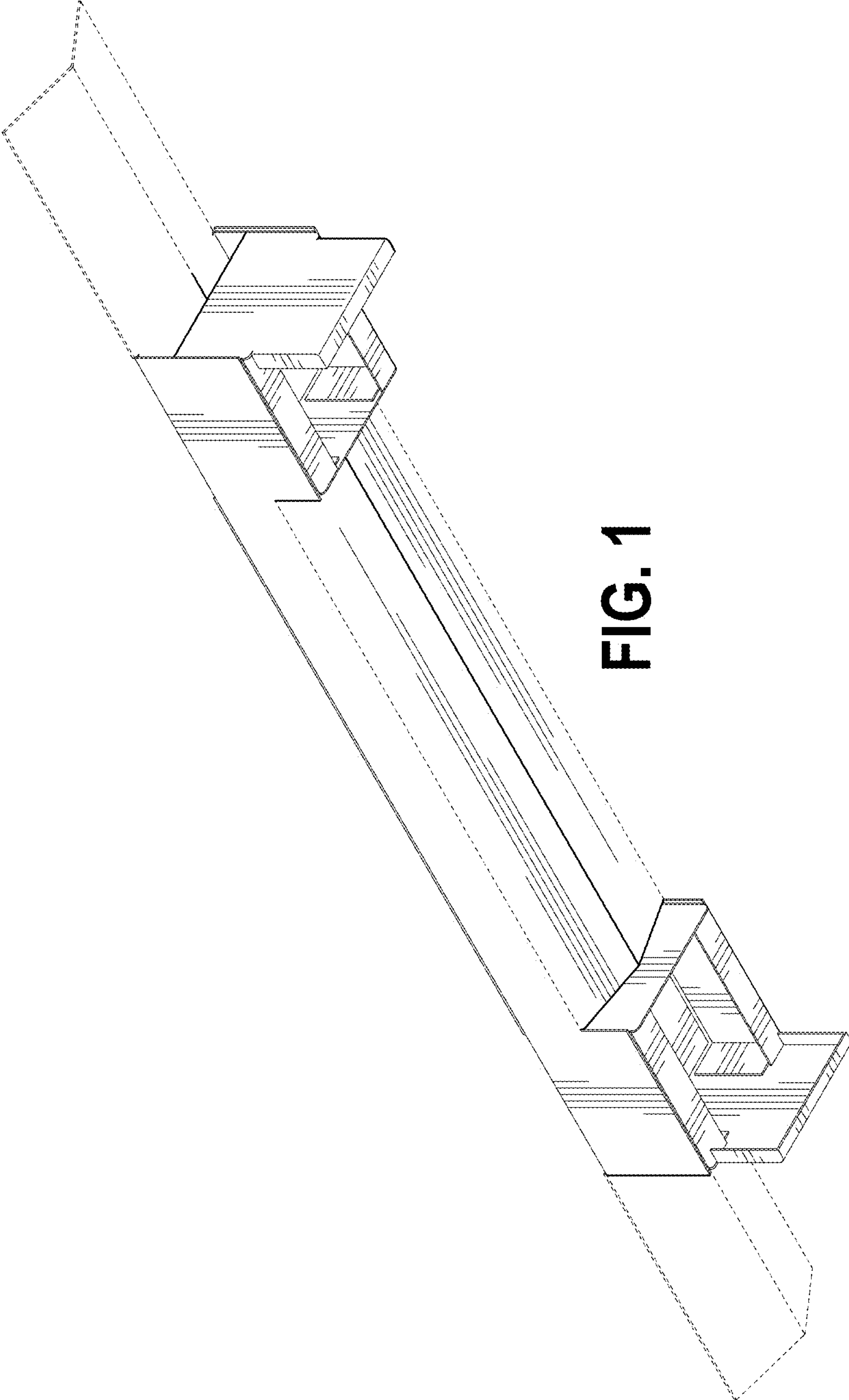


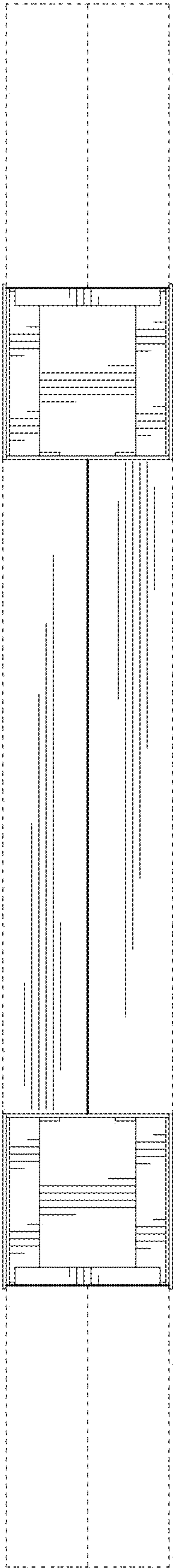
FIG. 1



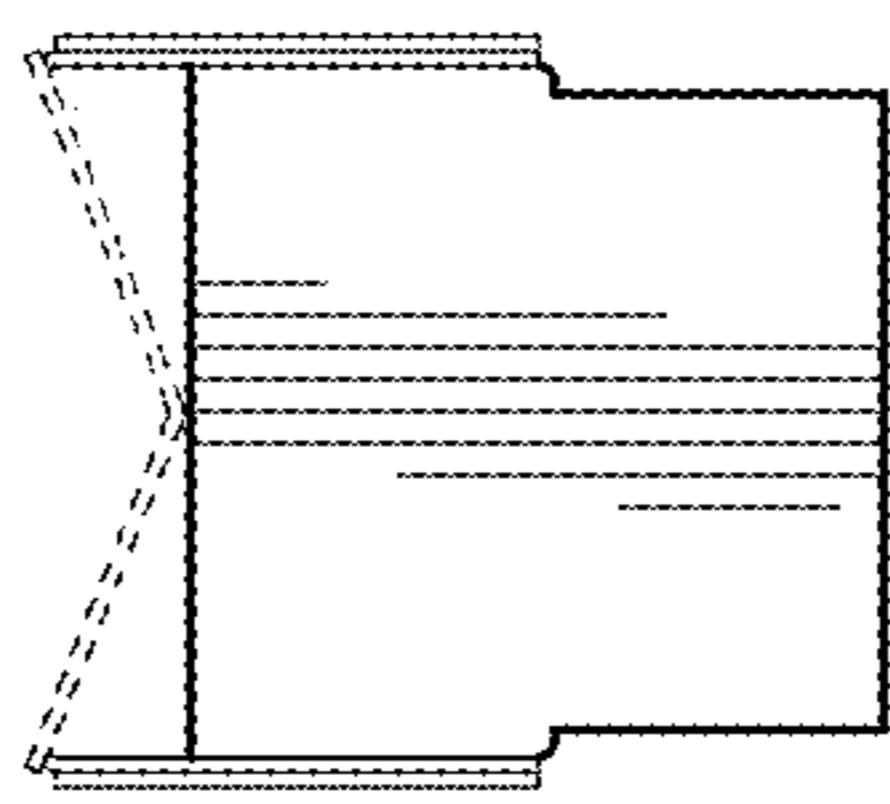
**FIG. 2**



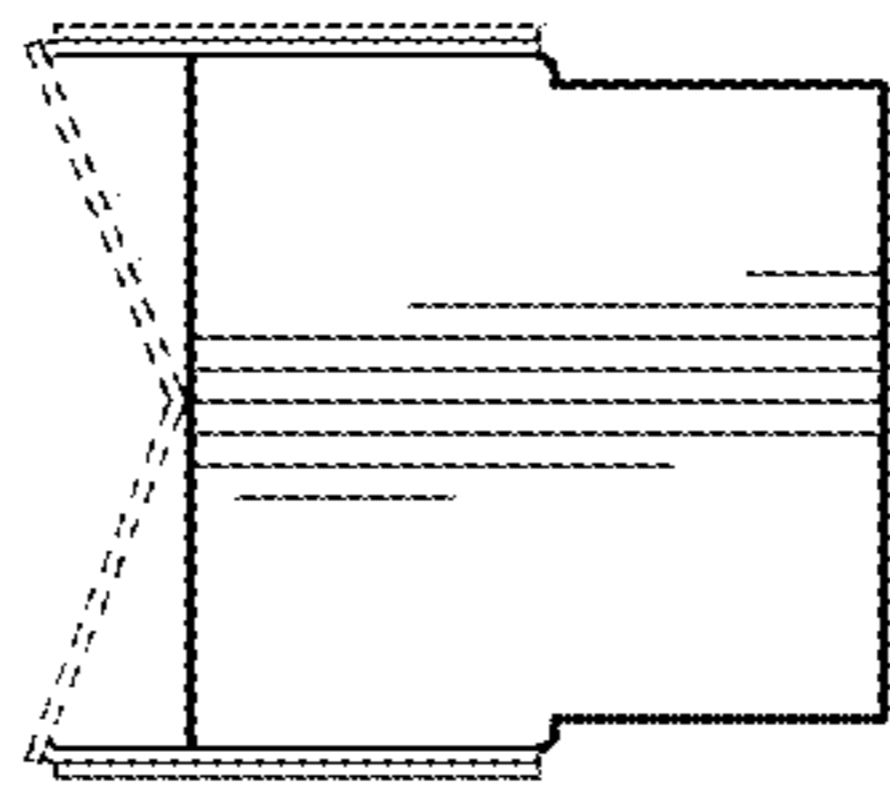
**FIG. 3**



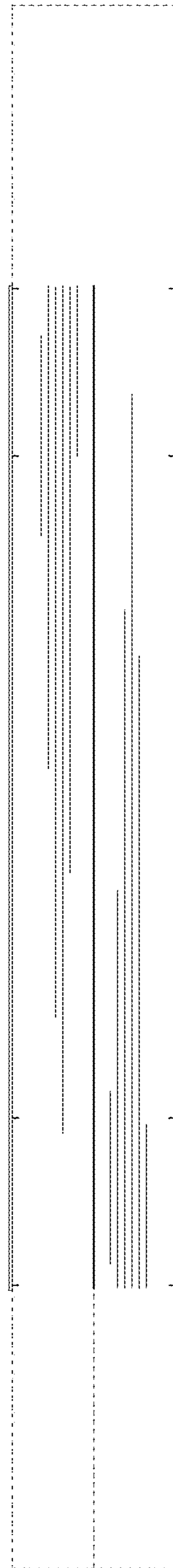
**FIG. 4**



**FIG. 5**



**FIG. 6**



**FIG. 7**