



US00D904674S

(12) **United States Design Patent**
Reynolds

(10) **Patent No.:** **US D904,674 S**

(45) **Date of Patent:** **** Dec. 8, 2020**

(54) **LIGHT FIXTURE**

F21V 21/04; F21V 29/2212; F21V 7/22;
F21V 29/83; F21V 37/002; F21V 7/00;
A61L 9/037

(71) Applicant: **HGCI, Inc.**, Las Vegas, NV (US)

See application file for complete search history.

(72) Inventor: **Christopher Reynolds**, Vancouver, WA (US)

(56) **References Cited**

(73) Assignee: **HGCI, Inc.**, Las Vegas, NV (US)

U.S. PATENT DOCUMENTS

(**) Term: **15 Years**

D771,301 S *	11/2016	Stanley	D26/118
D797,350 S *	9/2017	Reynolds	D26/118
D802,830 S *	11/2017	Stanley	D26/118
D822,882 S *	7/2018	Reynolds	D26/118
D825,826 S *	8/2018	Stanley	D26/118

(21) Appl. No.: **29/731,156**

* cited by examiner

(22) Filed: **Apr. 13, 2020**

Primary Examiner — Brian N. Vinson

Related U.S. Application Data

(74) *Attorney, Agent, or Firm* — Ulmer & Berne LLP

(63) Continuation of application No. 29/702,339, filed on Aug. 19, 2019, now Pat. No. Des. 881,445, which is a continuation of application No. 29/673,857, filed on Dec. 18, 2018, now Pat. No. Des. 857,285, which is a continuation of application No. 29/612,009, filed on Jul. 27, 2017, now Pat. No. Des. 839,471, which is a continuation of application No. 29/567,137, filed on Jun. 6, 2016, now Pat. No. Des. 796,728.

(57) **CLAIM**

The ornamental design for a light fixture, as shown and described.

(51) **LOC (12) Cl.** **26-99**

DESCRIPTION

(52) **U.S. Cl.**

USPC **D26/118**

(58) **Field of Classification Search**

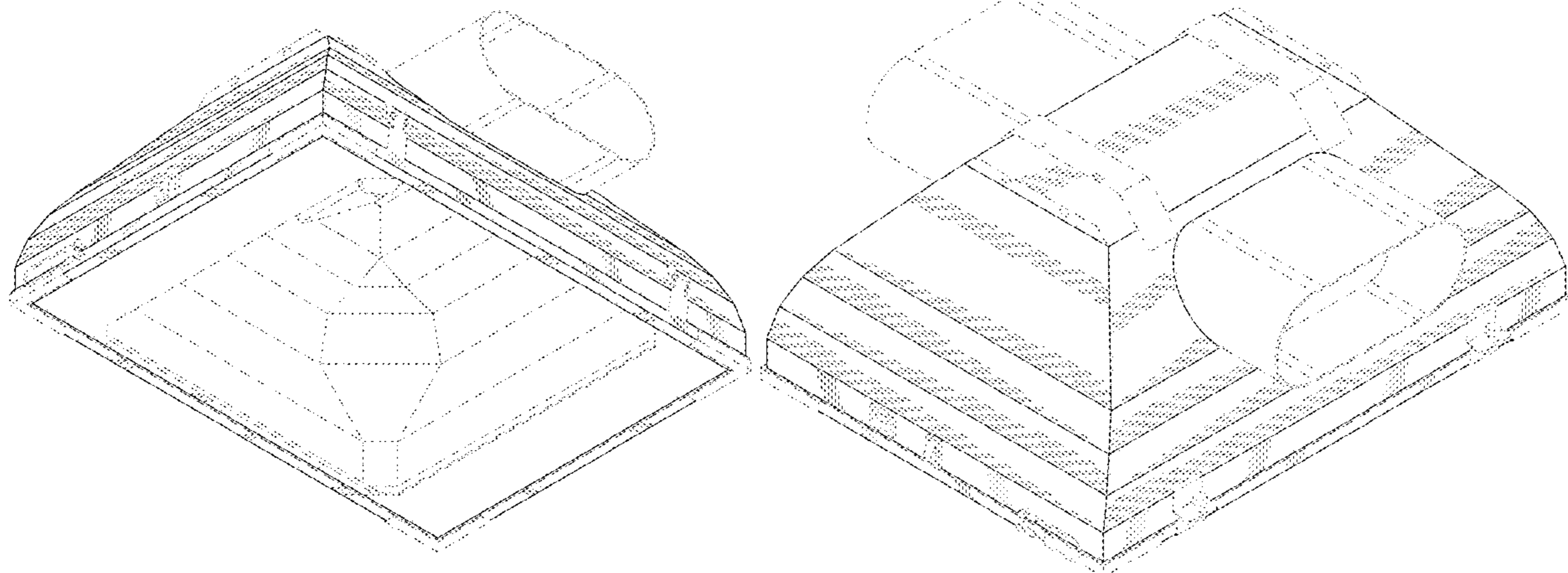
USPC ... D26/9, 10, 12, 13, 15, 16, 24, 51, 61, 72, D26/76, 80, 81, 85, 86, 88, 90, 113, 118, D26/119, 120, 122, 128, 129, 138, 143, D26/144

FIG. 1 is a perspective view of a light fixture, as viewed from below, showing my new design;
FIG. 2 is a perspective elevation view thereof, as viewed from above;
FIG. 3 is a left side elevation view thereof;
FIG. 4 is a right side elevation view thereof;
FIG. 5 is a front elevation view thereof;
FIG. 6 is a back elevation view thereof;
FIG. 7 is a top plan view thereof; and,
FIG. 8 is a bottom plan view thereof.

CPC B60Q 1/04; B60Q 1/26; F21S 8/026; F21S 8/04; F21L 19/00; F23D 11/443; F21Y 2101/02; F21V 21/02; F21V 29/004;

The broken lines in the drawing views represent portions of the light fixture which form no part of the claimed design.

1 Claim, 7 Drawing Sheets



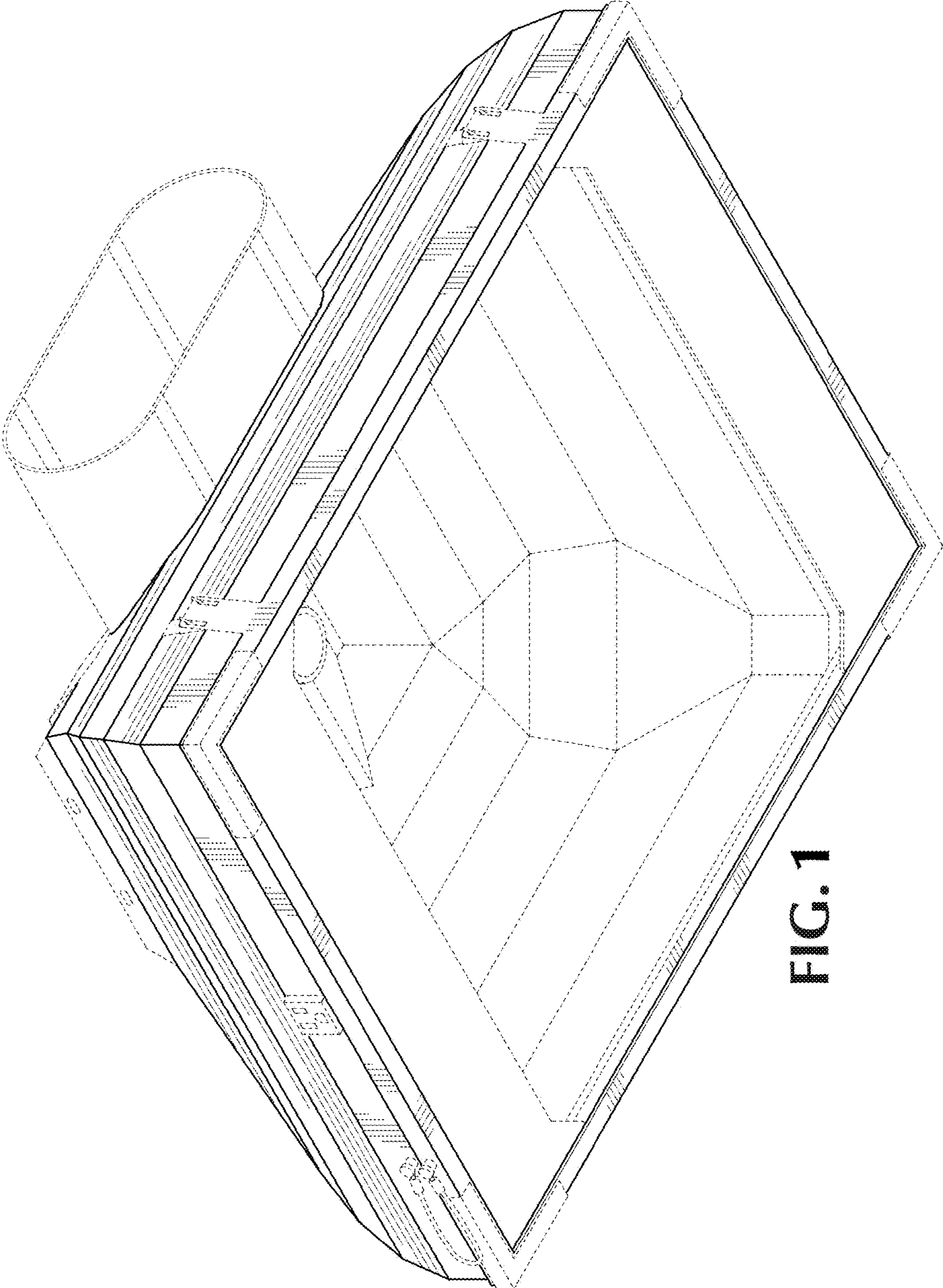


FIG. 1

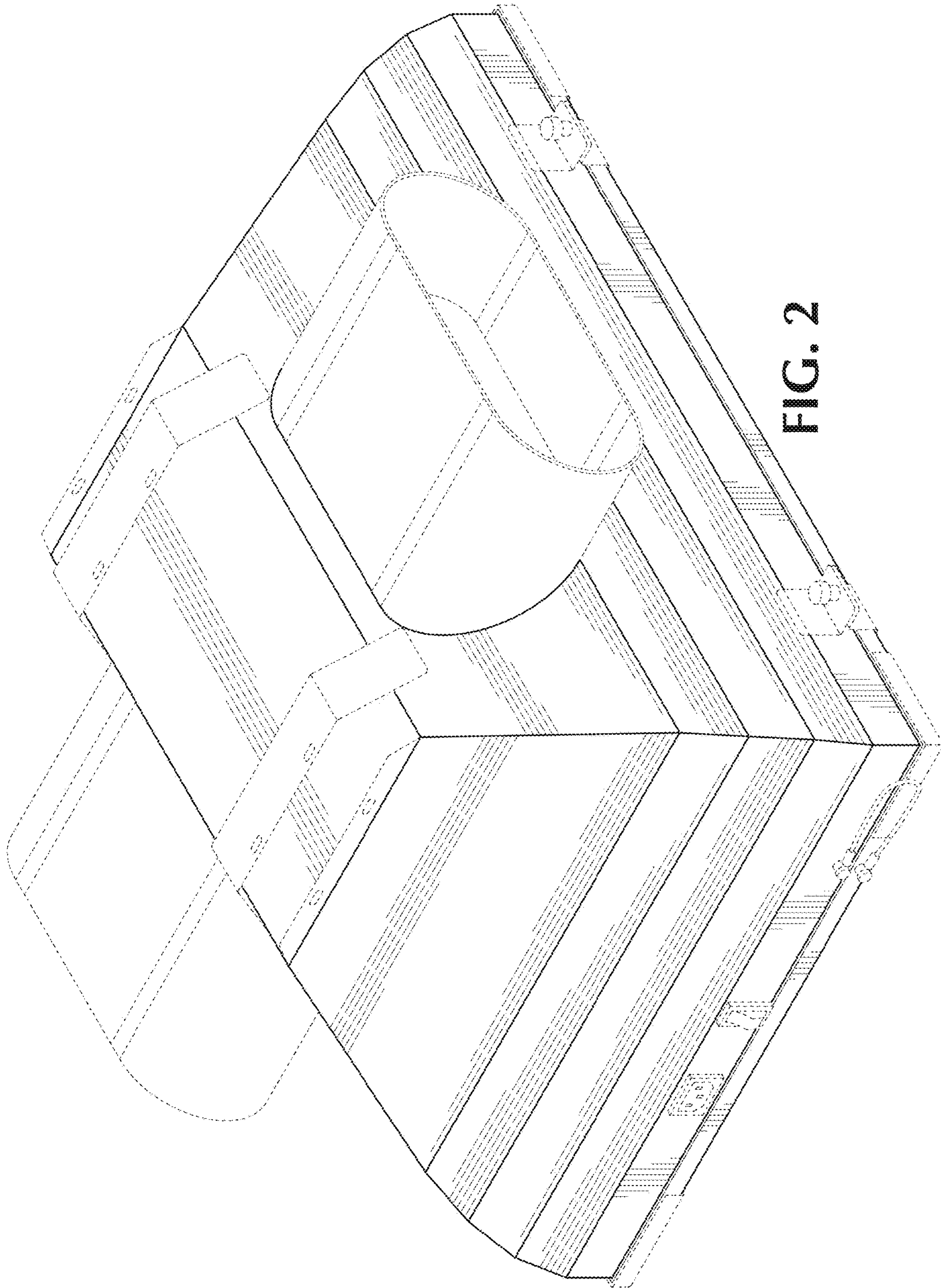


FIG. 2

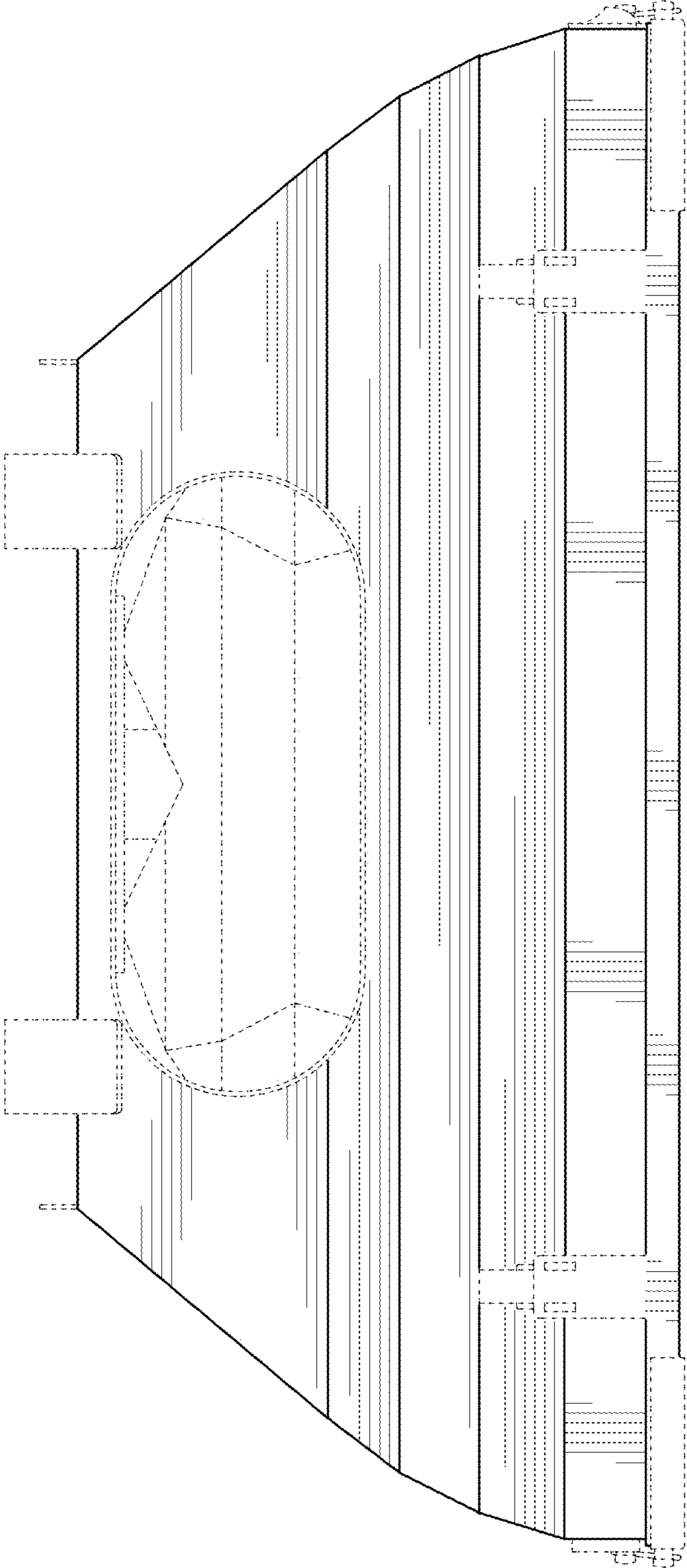


FIG. 3

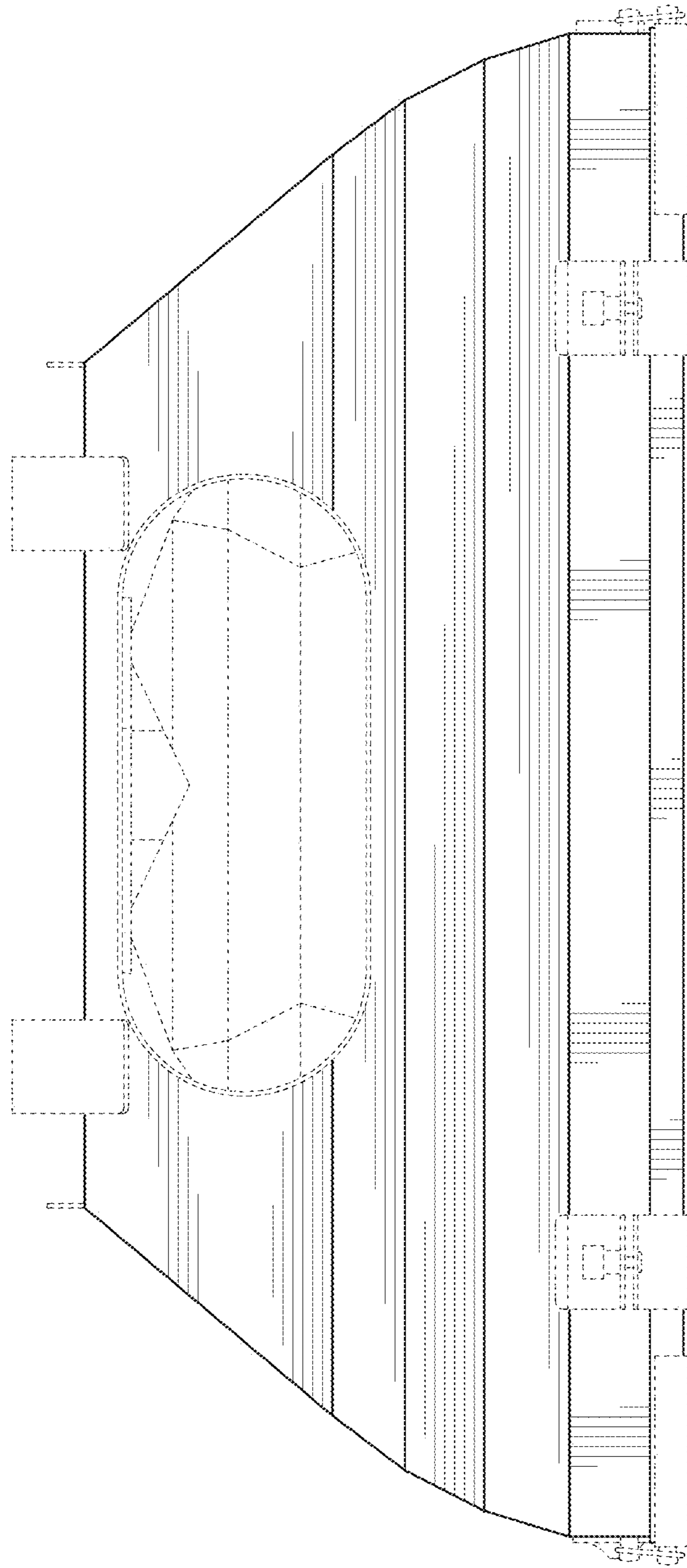


FIG. 4

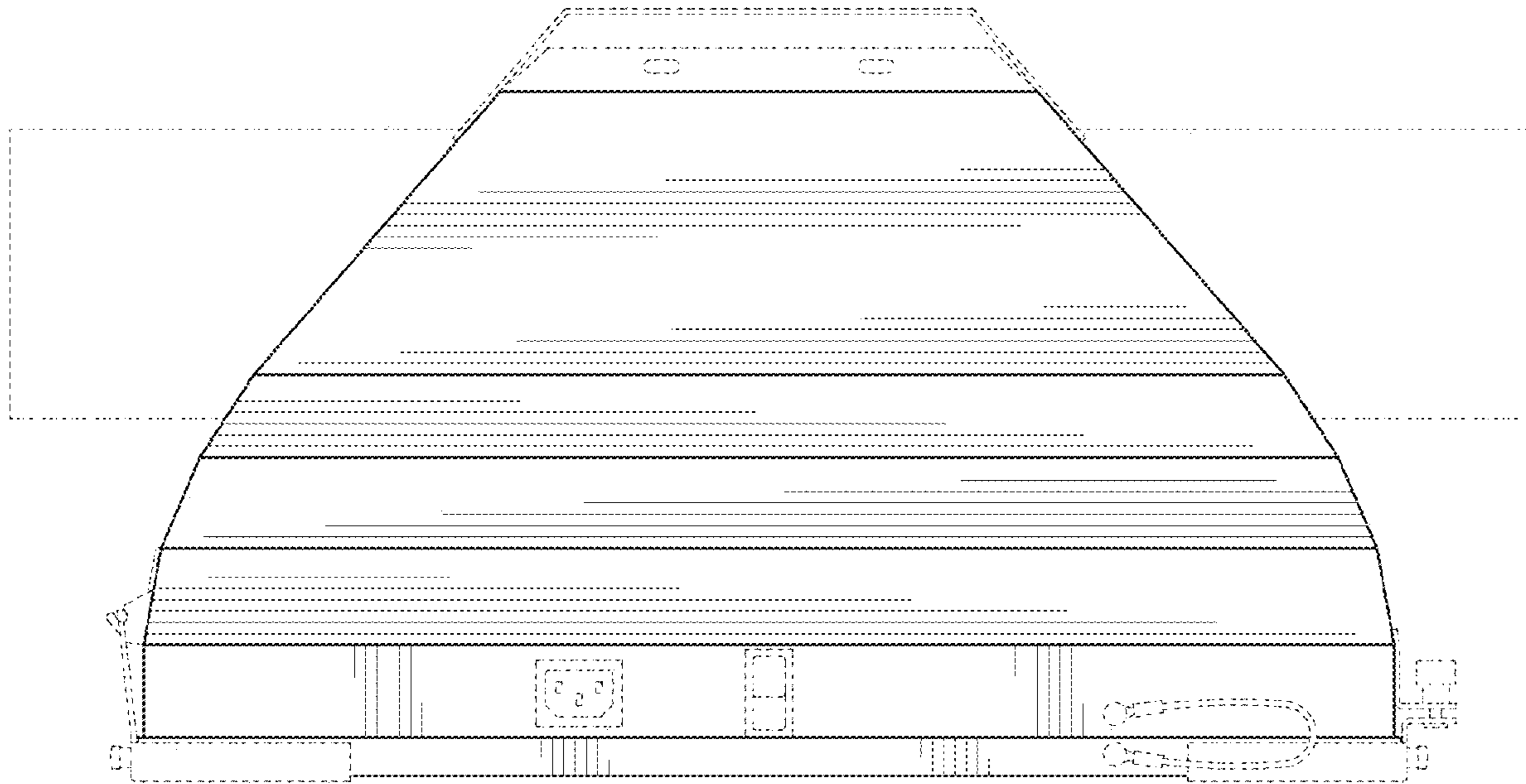


FIG. 5

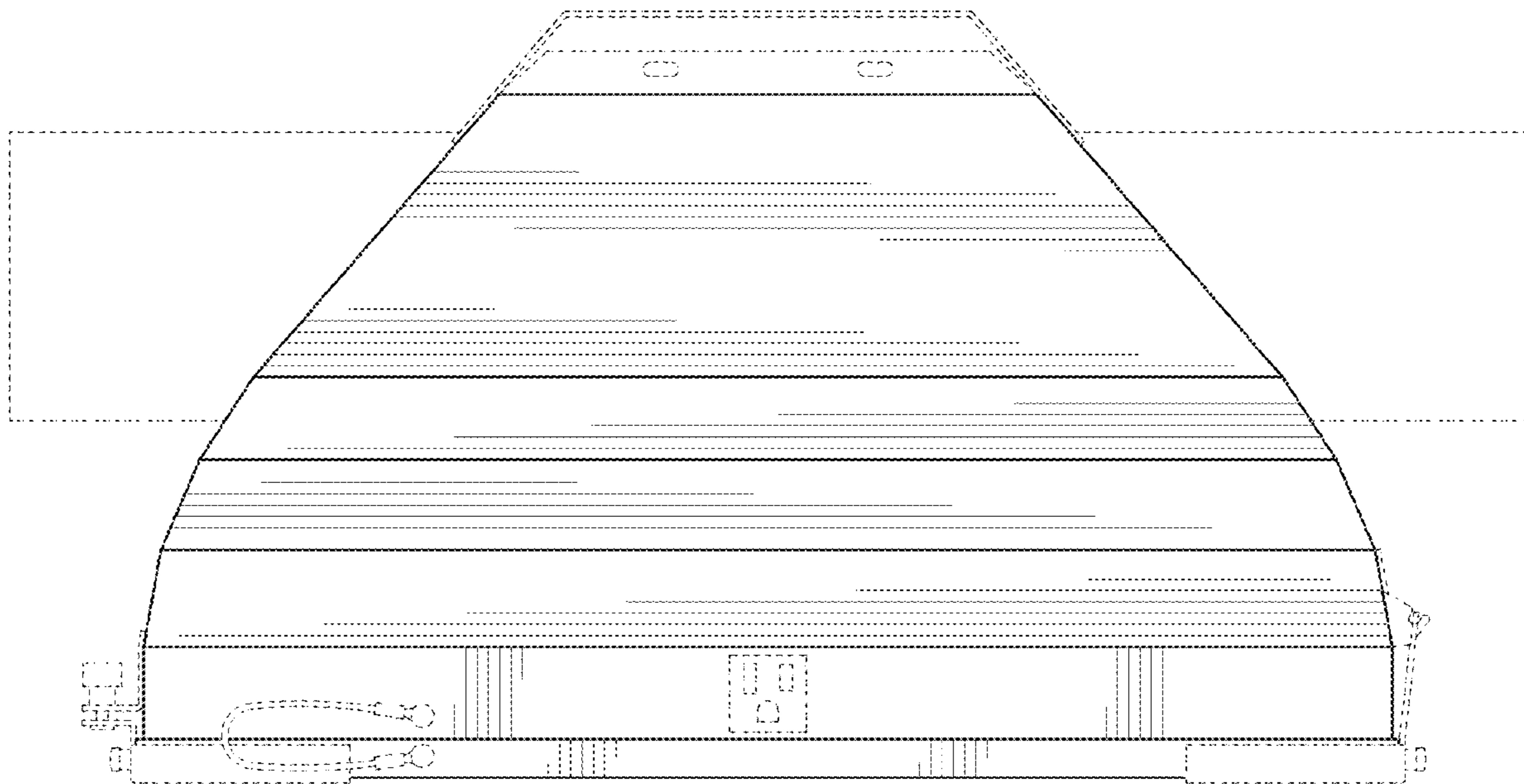


FIG. 6

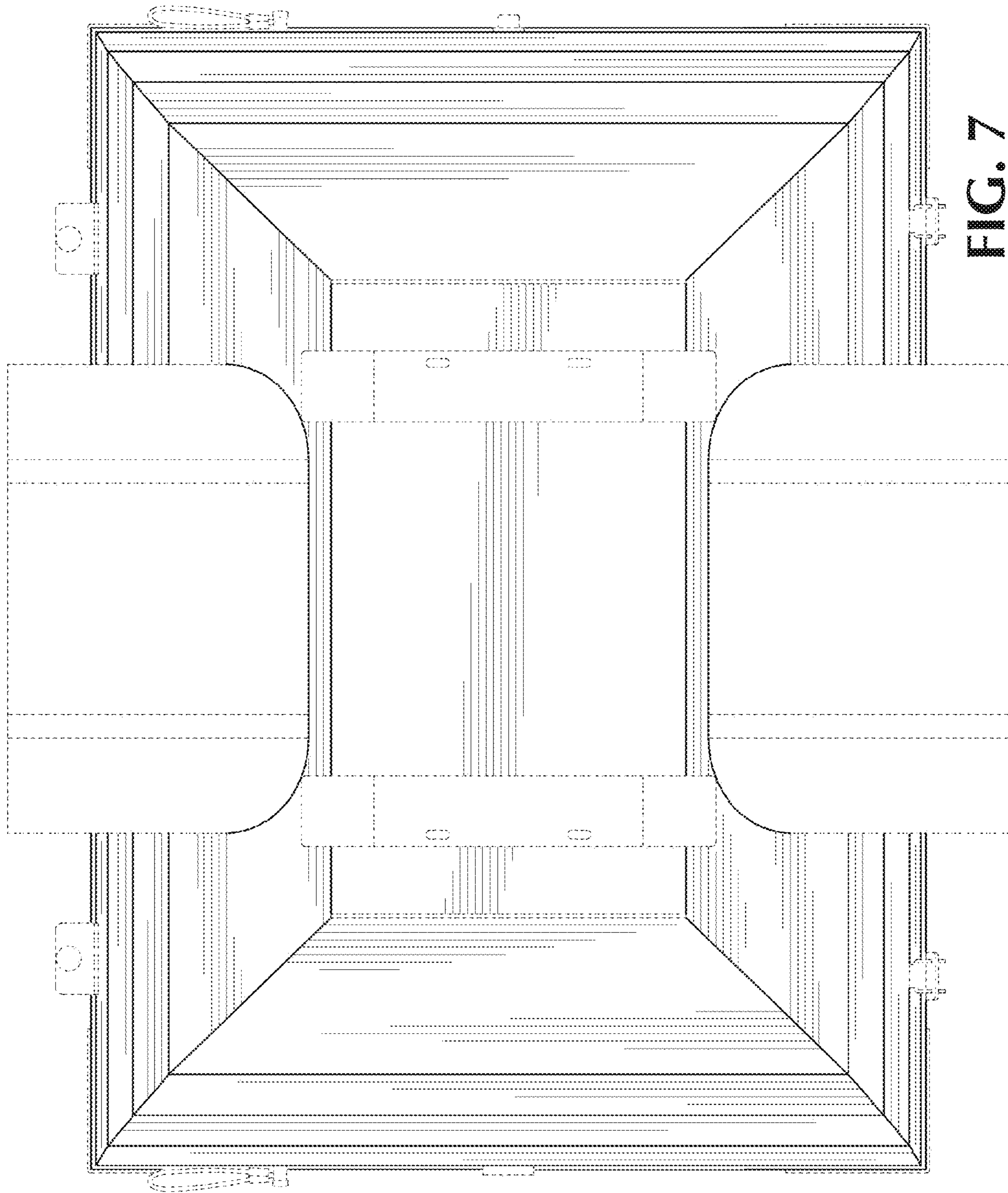


FIG. 7

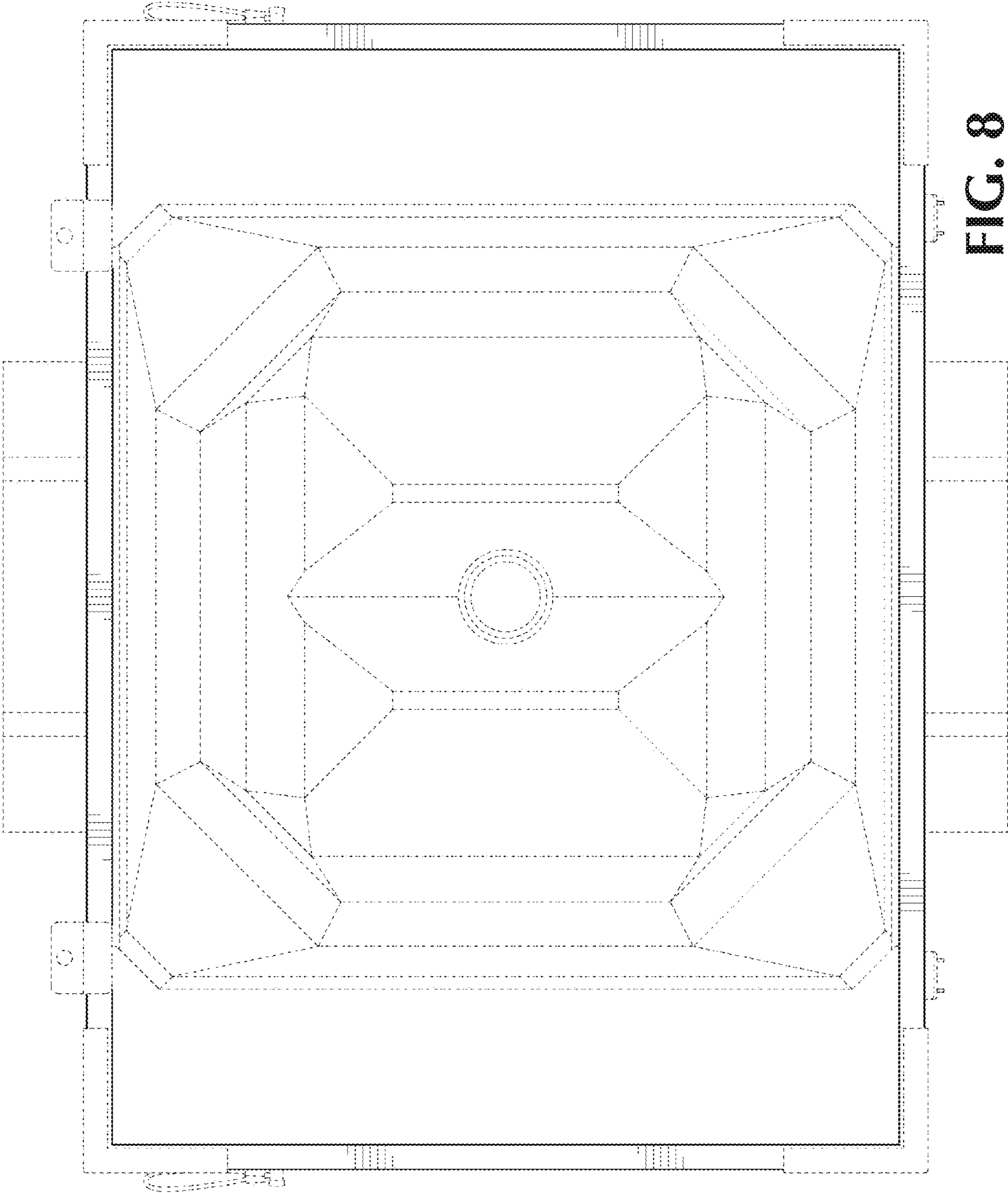


FIG. 8