



US00D904673S

(12) **United States Design Patent** (10) **Patent No.:** **US D904,673 S**
Verdi et al. (45) **Date of Patent:** **** Dec. 8, 2020**

(54) **LIGHTING FIXTURE ACCESSORY**
(71) Applicants: **Danyel Verdi**, Los Angeles, CA (US);
Benjamin Verdi, Los Angeles, CA (US)
(72) Inventors: **Danyel Verdi**, Los Angeles, CA (US);
Benjamin Verdi, Los Angeles, CA (US)
(**) Term: **15 Years**

2010/0321953 A1 12/2010 Coleman et al.
2013/0044512 A1 2/2013 Araki et al.
2014/0003040 A1 1/2014 Holman et al.

FOREIGN PATENT DOCUMENTS

CN 101889166 A 11/2010
DE 10117446 B4 1/2007
JP 2011040229 A 2/2011
JP 5304486 B2 10/2013
(Continued)

(21) Appl. No.: **29/646,986**
(22) Filed: **May 8, 2018**
(51) **LOC (12) Cl.** **26-05**
(52) **U.S. Cl.**
USPC **D26/118**
(58) **Field of Classification Search**
USPC D26/63–65, 72, 74–78, 85, 88, 89, 118,
D26/138, 141
CPC H05B 37/0245; F21K 9/23; F21S 8/02;
F21S 8/026; F21S 8/06; F21S 6/007;
F21V 21/04; F21V 23/006; F21V 29/2212
See application file for complete search history.

OTHER PUBLICATIONS

Vgradne svetilke—Svetila—Vse za dom <https://www.merkur.si/vse-za-dom/svetila/vgradne-svetilke/> May 1, 2017 (Year: 2017).*
(Continued)

Primary Examiner — Leanne Was-Englehart
(74) *Attorney, Agent, or Firm* — Brentwood IP Law, P.C.;
Shahrooz Isaac Zaghi

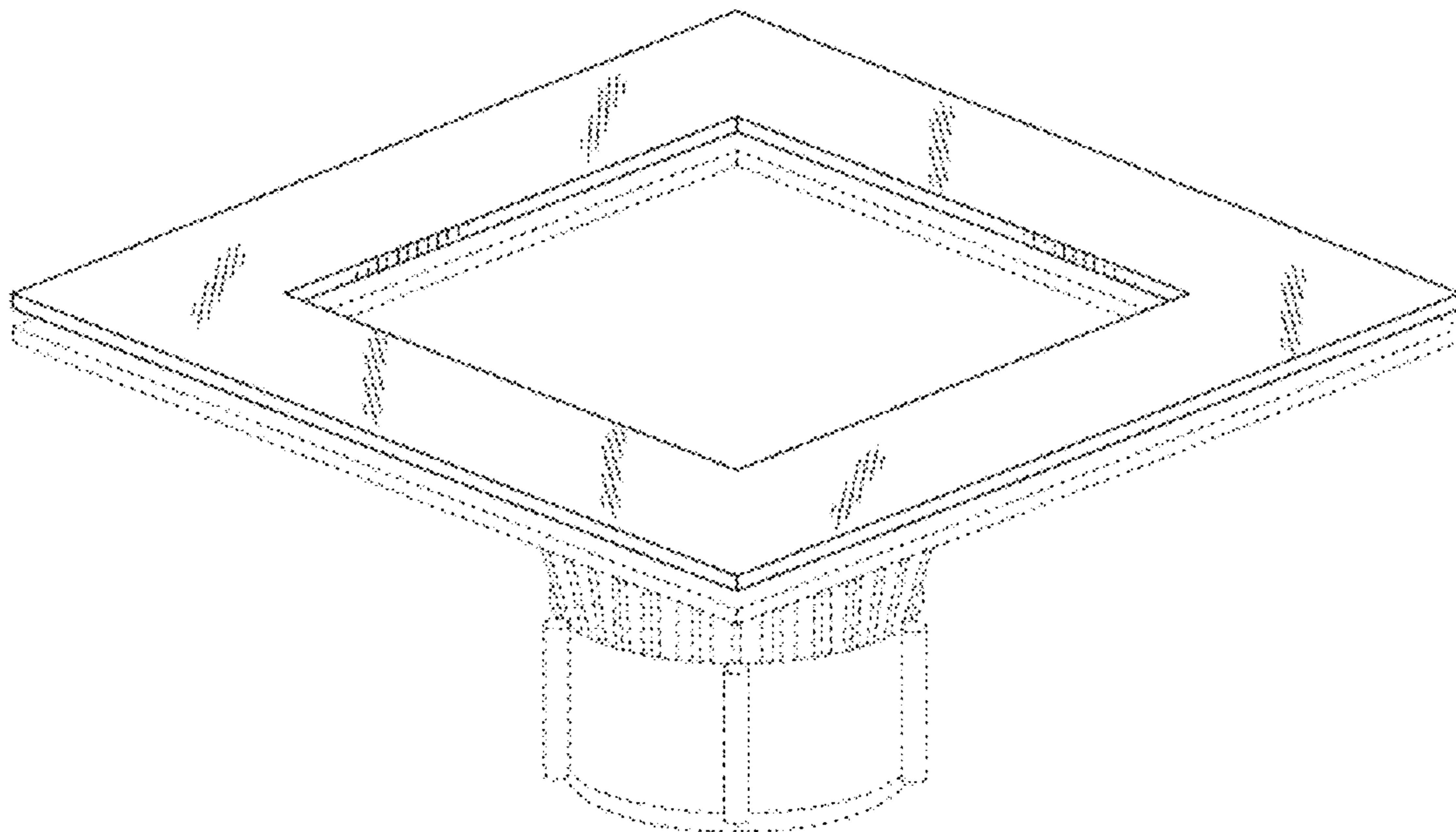
(57) **CLAIM**
The ornamental design for a lighting fixture accessory,
substantially as shown and described.

DESCRIPTION

FIG. 1 is a perspective view showing the ornamental design of the lighting fixture accessory;
FIG. 2 is an illustration provided herein as a visual aid, depicting a perspective view with the top portion removed showing the features underneath;
FIG. 3 is a bottom view of the lighting fixture accessory;
FIG. 4 is a top view showing the ornamental design of the lighting fixture accessory; and,
FIG. 5 is a side view showing the ornamental design of the lighting fixture accessory.
The broken lines depict portions of the lighting fixture assembly that form no part of the claimed design.

(56) **References Cited**
U.S. PATENT DOCUMENTS
D551,379 S * 9/2007 Maxik D26/74
8,674,616 B2 3/2014 Holman et al.
9,004,718 B2 4/2015 Myers et al.
9,188,318 B2 11/2015 Tickner et al.
D777,968 S * 1/2017 Redfern D26/74
9,557,021 B2 1/2017 Madden et al.
D779,101 S * 2/2017 Redfern D26/74
9,671,095 B1 6/2017 Sorensen et al.
D826,466 S * 8/2018 Momin D26/118
10,091,855 B2 10/2018 Van Winkle
10,327,309 B1 * 6/2019 Verdi G07D 7/12
10,462,871 B2 10/2019 Van Winkle
10,492,262 B2 11/2019 Van Winkle

1 Claim, 5 Drawing Sheets



(56)

References Cited

FOREIGN PATENT DOCUMENTS

JP	5796167	B2	10/2015
JP	2017004730	A	1/2017
KR	20100110887	A	10/2010
KR	20160022595	A	3/2016
WO	2011098063	A1	8/2011

OTHER PUBLICATIONS

Mohamed Shohdy Ahmed, "Classification of lighting sources and convenience for lighting fixtures design" <http://www.journal.faa-design.com/pdf/5-2-shohdye.pdf>.

Leslie Adams, David Zuckerman, "The Effect of Lighting Conditions on Personal Space Requirements" <http://www.tandfonline.com/doi/abs/10.1080/00221309.1991.9917794>.

H.J.Han, Y.I.Jeon, S.H.Lim, W.W.Kim, K.Chen, "New developments in illumination, heating and cooling technologies for energy-efficient buildings" <http://www.sciencedirect.com/science/article/pii/S0360544209001947>.

U.S. Appl. No. 16/402,933, filed May 3, 2019, not yet published.

* cited by examiner

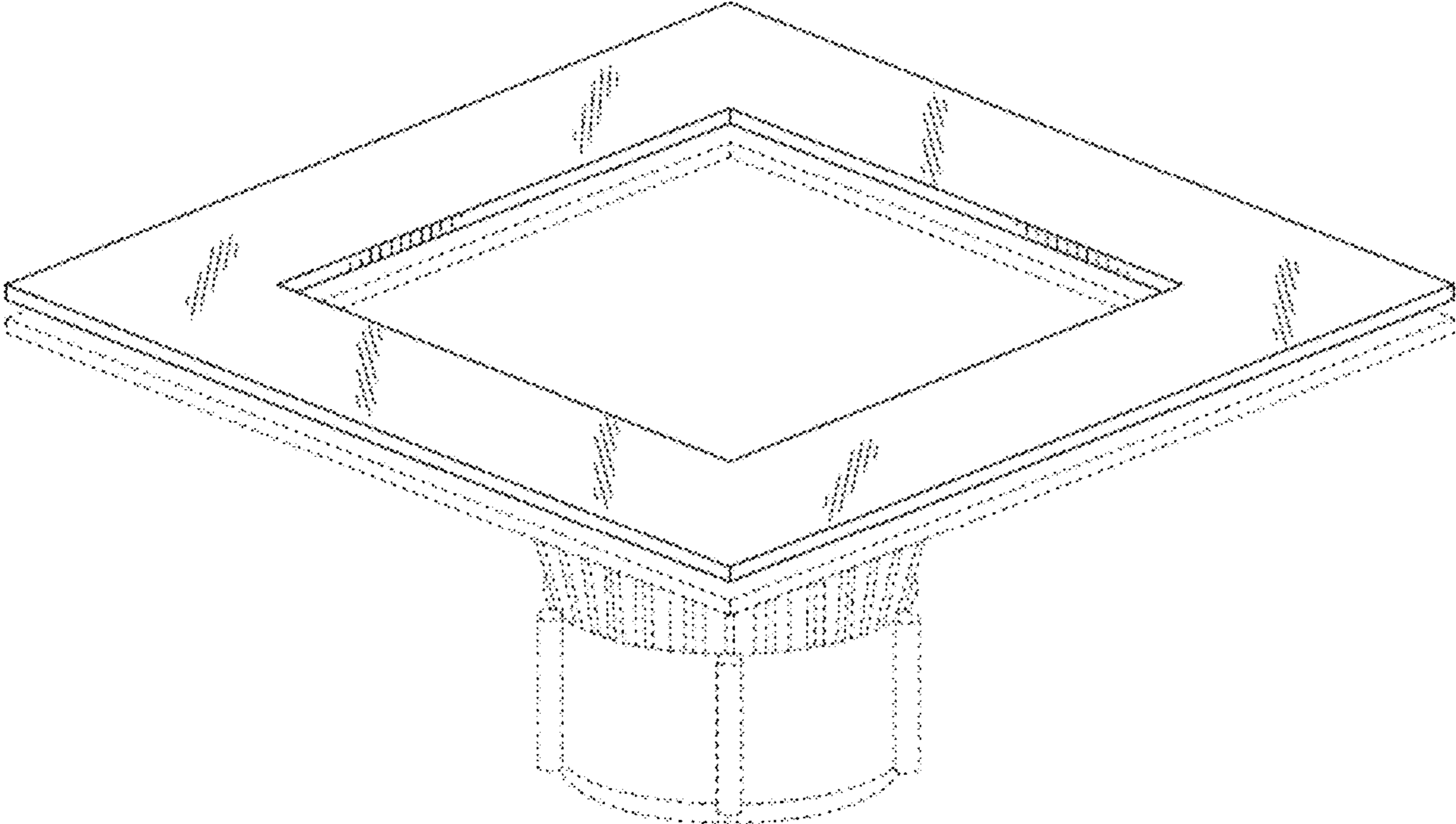


Fig. 1

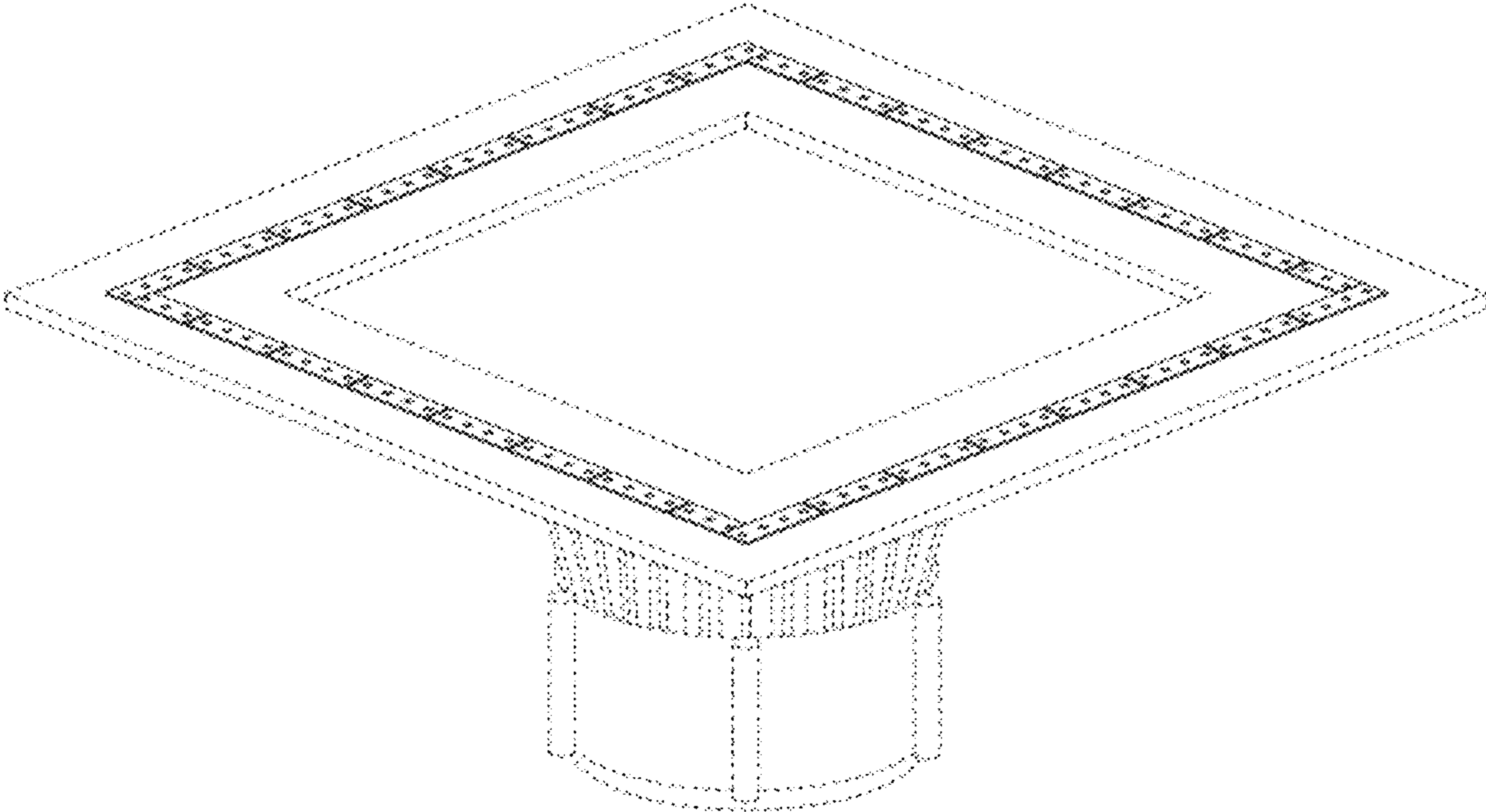


Fig. 2

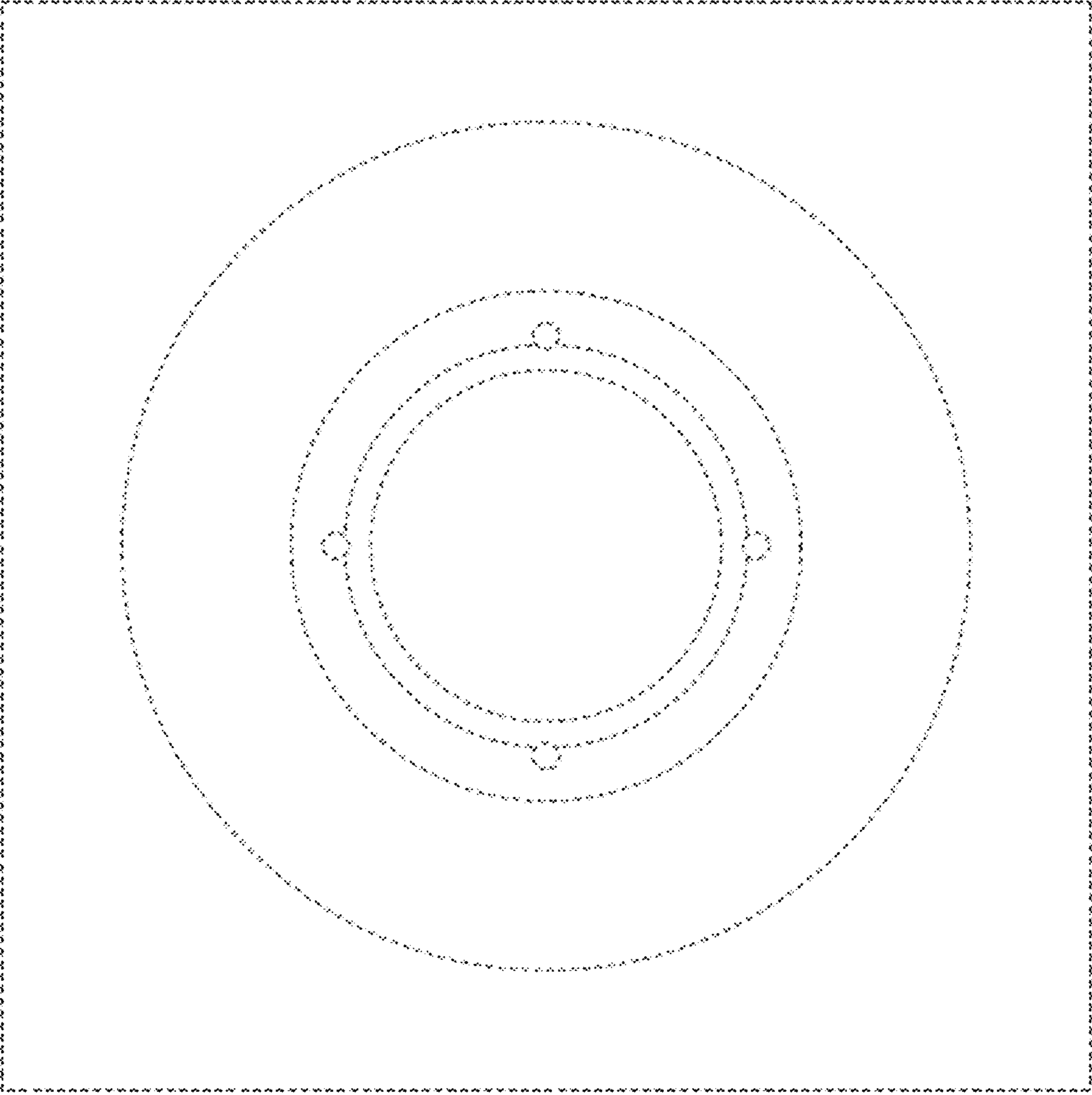


Fig. 3

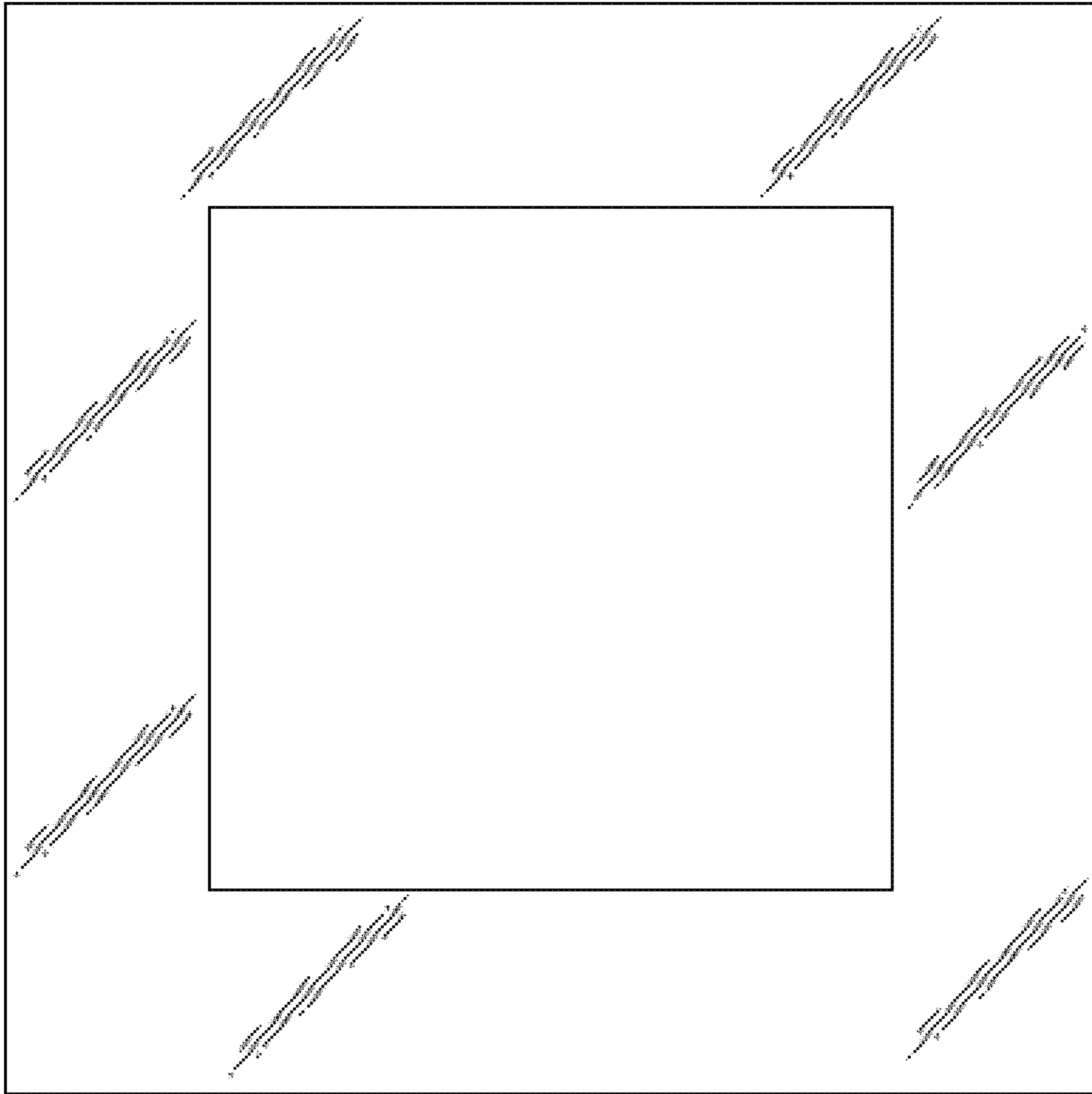


Fig. 4

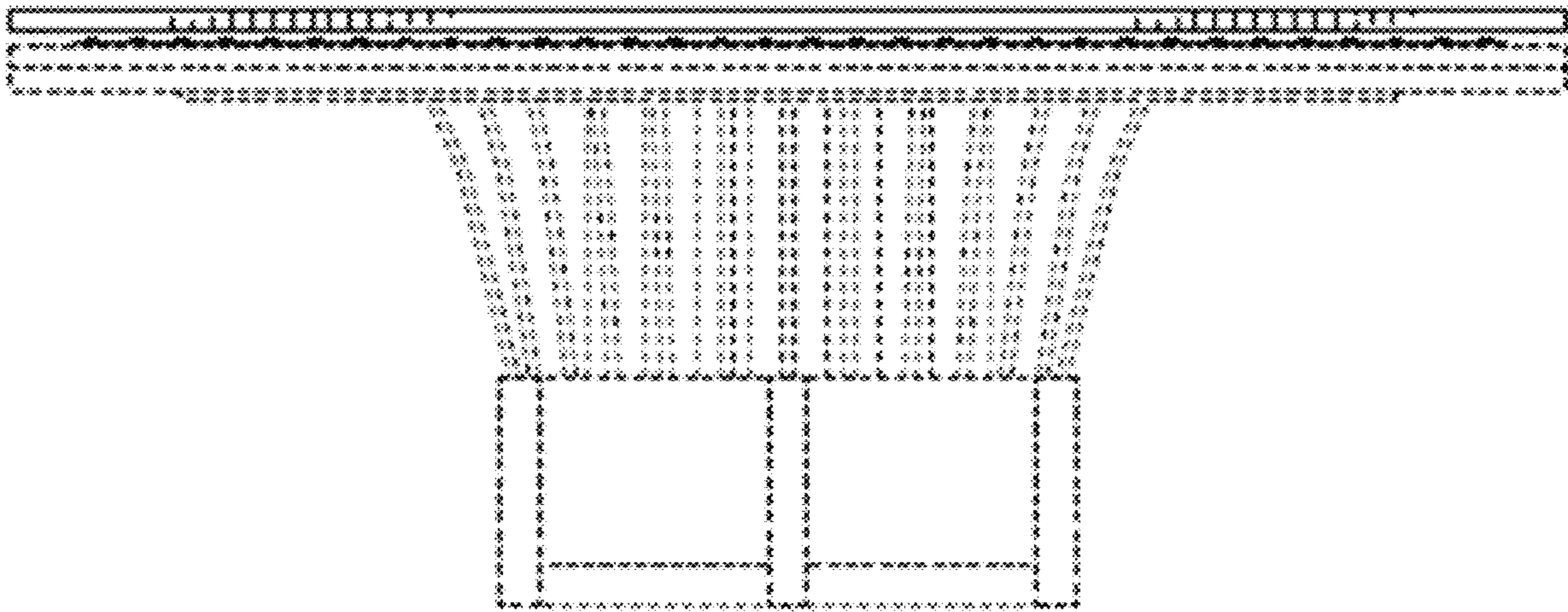


Fig. 5