



US00D904672S

(12) **United States Design Patent** (10) **Patent No.:** **US D904,672 S**  
**Verdi et al.** (45) **Date of Patent:** **\*\* Dec. 8, 2020**

(54) **LIGHTING FIXTURE ACCESSORY**  
(71) Applicants: **Danyel Verdi**, Los Angeles, CA (US);  
**Benjamin Verdi**, Los Angeles, CA (US)  
(72) Inventors: **Danyel Verdi**, Los Angeles, CA (US);  
**Benjamin Verdi**, Los Angeles, CA (US)  
(\*\*) Term: **15 Years**

2010/0321953 A1 12/2010 Coleman et al.  
2013/0044512 A1 2/2013 Araki et al.  
2014/0003040 A1 1/2014 Holman et al.

FOREIGN PATENT DOCUMENTS

CN 101889166 A 11/2010  
DE 10117446 B4 1/2007  
JP 2011040229 A 2/2011  
JP 5304486 B2 10/2013  
(Continued)

(21) Appl. No.: **29/646,985**  
(22) Filed: **May 8, 2018**  
(51) **LOC (12) Cl.** ..... **26-05**  
(52) **U.S. Cl.**  
USPC ..... **D26/118**  
(58) **Field of Classification Search**  
USPC ..... D26/63–65, 72, 74–78, 85, 88, 89, 118,  
D26/138, 141  
CPC ..... H05B 37/0245; F21K 9/23; F21S 8/02;  
F21S 8/026; F21S 8/06; F21S 6/007;  
F21V 21/04; F21V 23/006; F21V 29/2212  
See application file for complete search history.

OTHER PUBLICATIONS

Vgradne svetilke—Svetila—Vse za dom <https://www.merkur.si/vse-za-dom/svetila/vgradne-svetilke/> May 1, 2017 (Year: 2017).\*  
(Continued)

*Primary Examiner* — Leanne Was-Englehart  
(74) *Attorney, Agent, or Firm* — Brentwood IP Law, P.C.;  
Shahrooz Isaac Zaghi

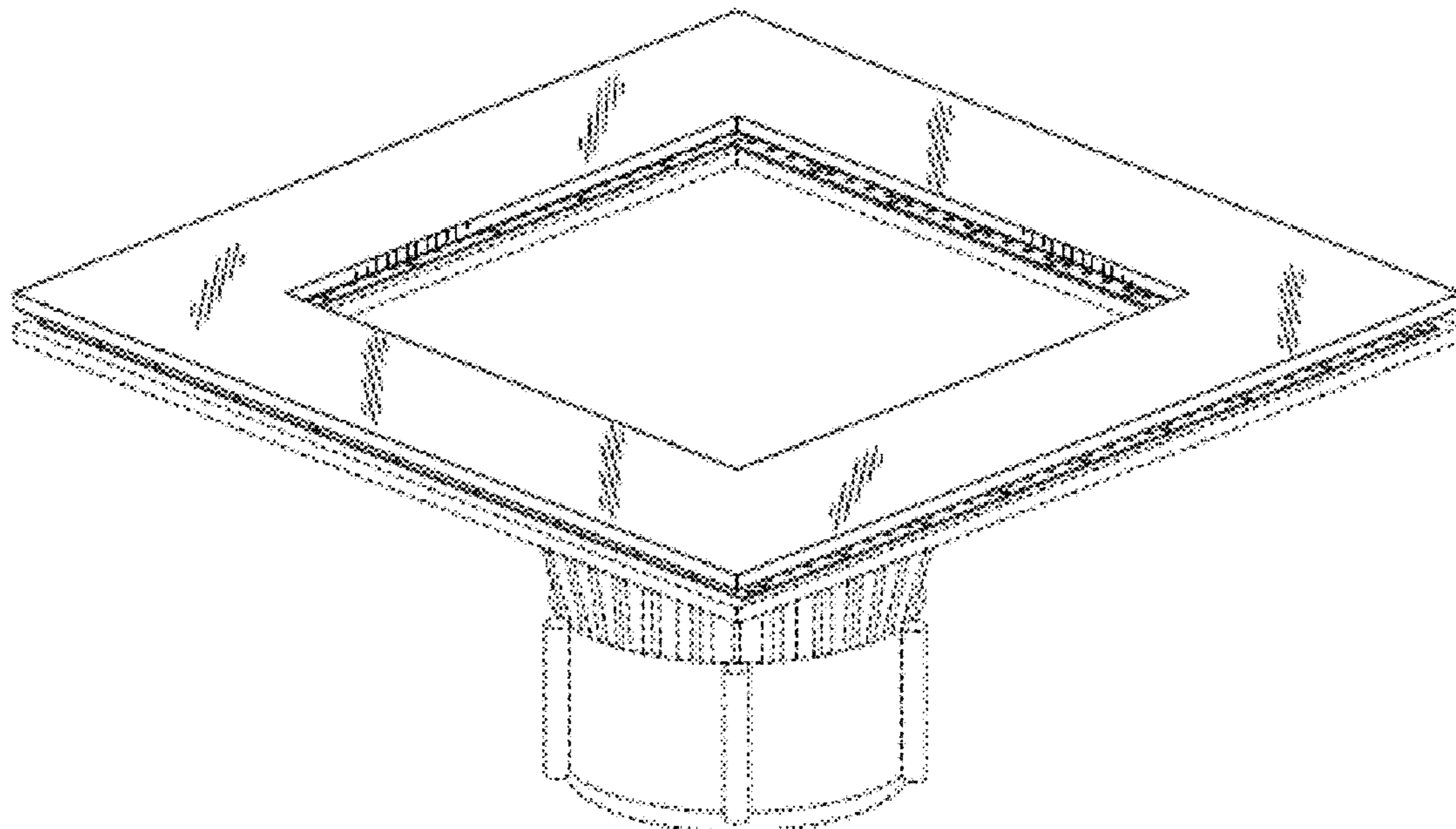
(57) **CLAIM**  
The ornamental design for a lighting fixture accessory,  
substantially as shown and described.

**DESCRIPTION**

FIG. 1 is a perspective view showing the ornamental design of the lighting fixture accessory;  
FIG. 2 is an illustration provided herein as a visual aid, depicting a perspective view with the top portion removed showing the features underneath;  
FIG. 3 is a bottom view of the lighting fixture accessory;  
FIG. 4 is a top view showing the ornamental design of the lighting fixture accessory; and,  
FIG. 5 is a side view showing the ornamental design of the lighting fixture accessory.  
The broken lines depict portions of the lighting fixture assembly that form no part of the claimed design.

(56) **References Cited**  
U.S. PATENT DOCUMENTS  
D551,379 S \* 9/2007 Maxik ..... D26/74  
8,674,616 B2 3/2014 Holman et al.  
9,004,718 B2 4/2015 Myers et al.  
9,188,318 B2 11/2015 Tickner et al.  
D777,968 S \* 1/2017 Redfern ..... D26/74  
9,557,021 B2 1/2017 Madden et al.  
D779,101 S \* 2/2017 Redfern ..... D26/74  
9,671,095 B1 6/2017 Sorensen et al.  
D826,466 S \* 8/2018 Momin ..... D26/118  
10,091,855 B2 10/2018 Van Winkle  
10,327,309 B1 \* 6/2019 Verdi ..... G07D 7/12  
10,462,871 B2 10/2019 Van Winkle  
10,492,262 B2 11/2019 Van Winkle

**1 Claim, 5 Drawing Sheets**



(56)

**References Cited**

FOREIGN PATENT DOCUMENTS

JP	5796167	B2	10/2015
JP	2017004730	A	1/2017
KR	20100110887	A	10/2010
KR	20160022595	A	3/2016
WO	2011098063	A1	8/2011

OTHER PUBLICATIONS

Mohamed Shohdy Ahmed, "Classification of lighting sources and convenience for lighting fixtures design" <http://www.journal.faa-design.com/pdf/5-2-shohdye.pdf>.

Leslie Adams, David Zuckerman, "The Effect of Lighting Conditions on Personal Space Requirements" <http://www.tandfonline.com/doi/abs/10.1080/00221309.1991.9917794>.

H.J.Han, Y.I.Jeon, S.H.Lim, W.W.Kim, K.Chen, "New developments in illumination, heating and cooling technologies for energy-efficient buildings" <http://www.sciencedirect.com/science/article/pii/S0360544209001947>.

U.S. Appl. No. 16/402,933 filed May 3, 2019, not yet published.

\* cited by examiner

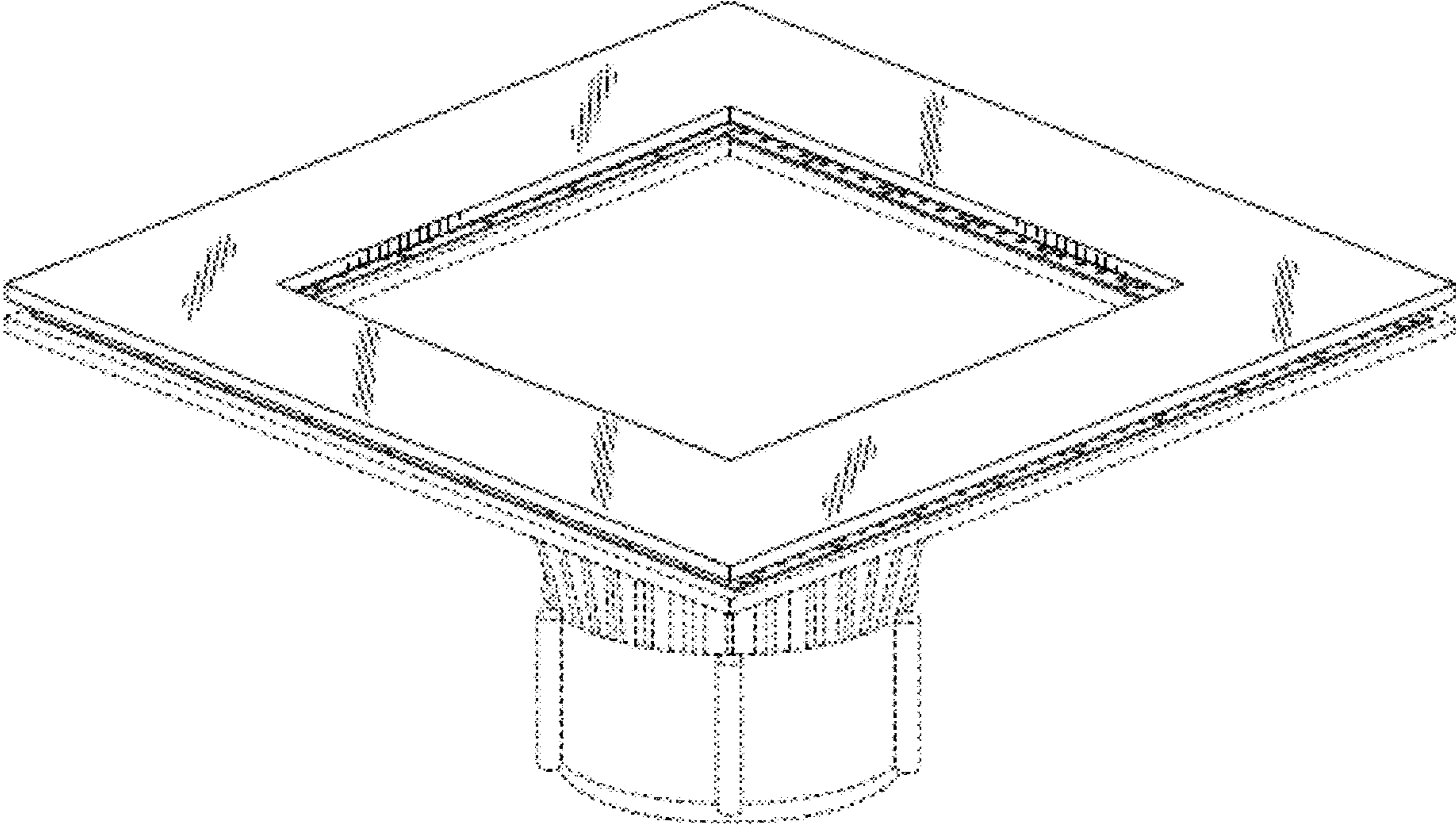


Fig. 1

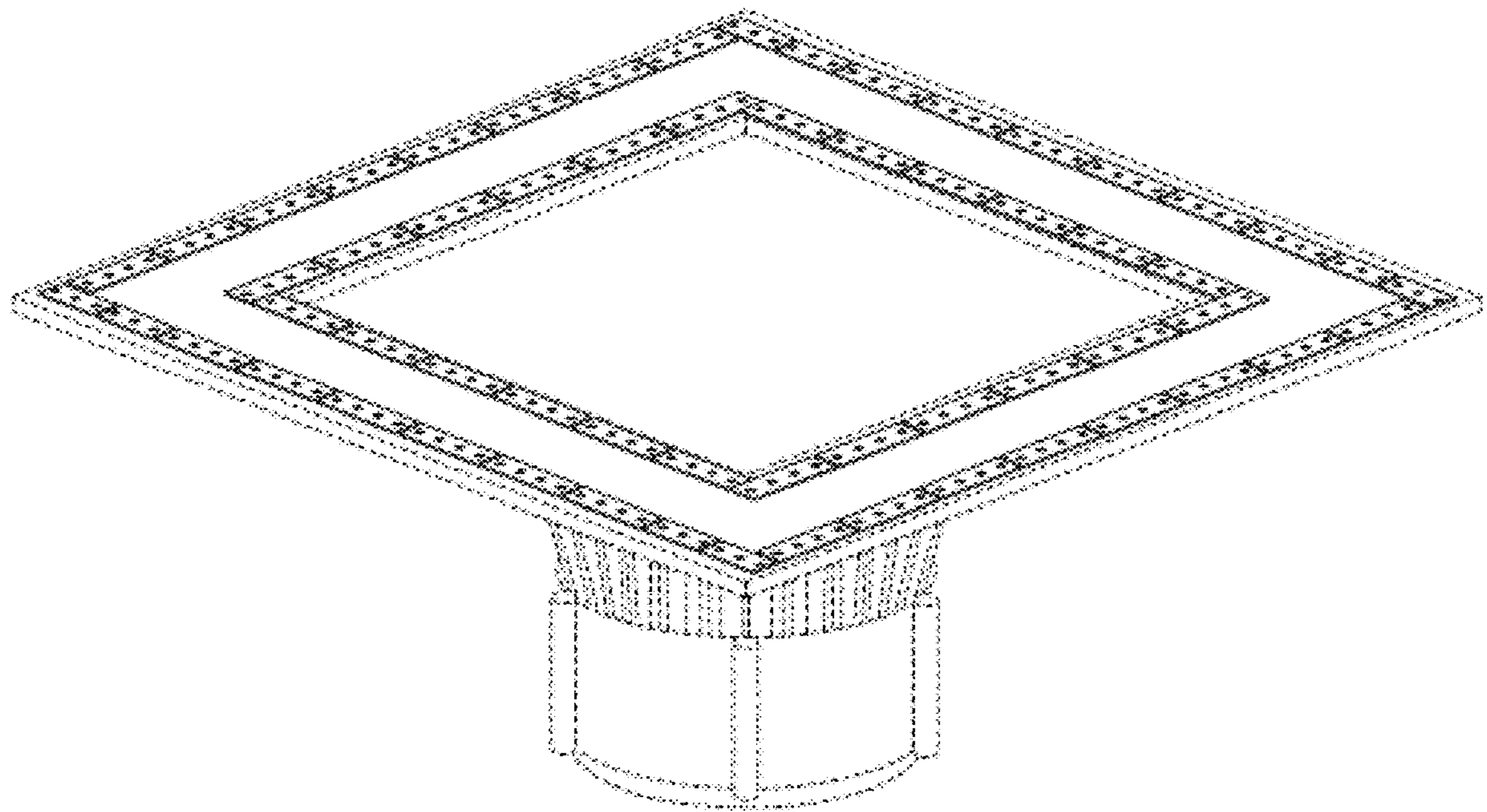


Fig. 2



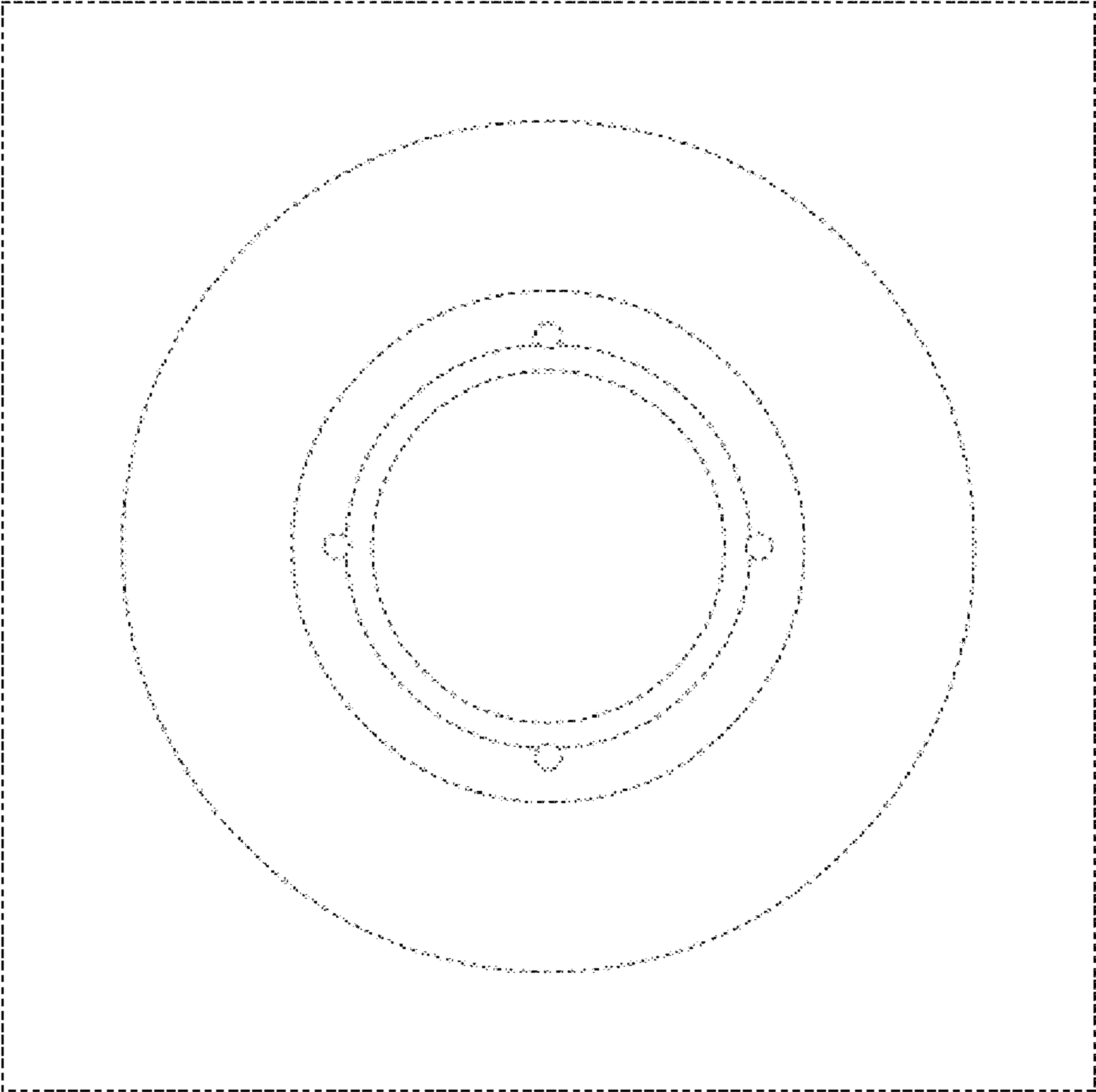


Fig. 3

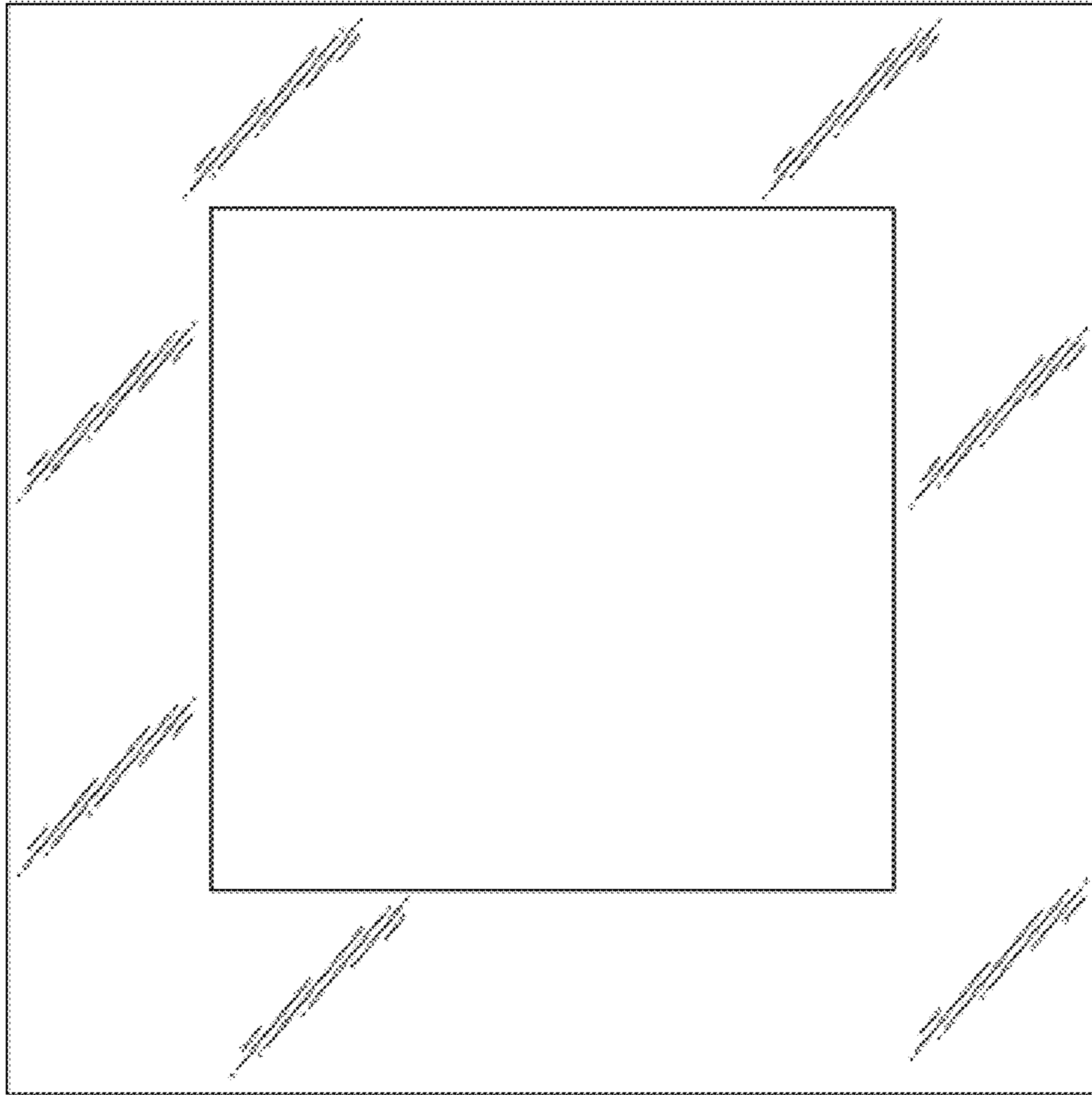


Fig. 4

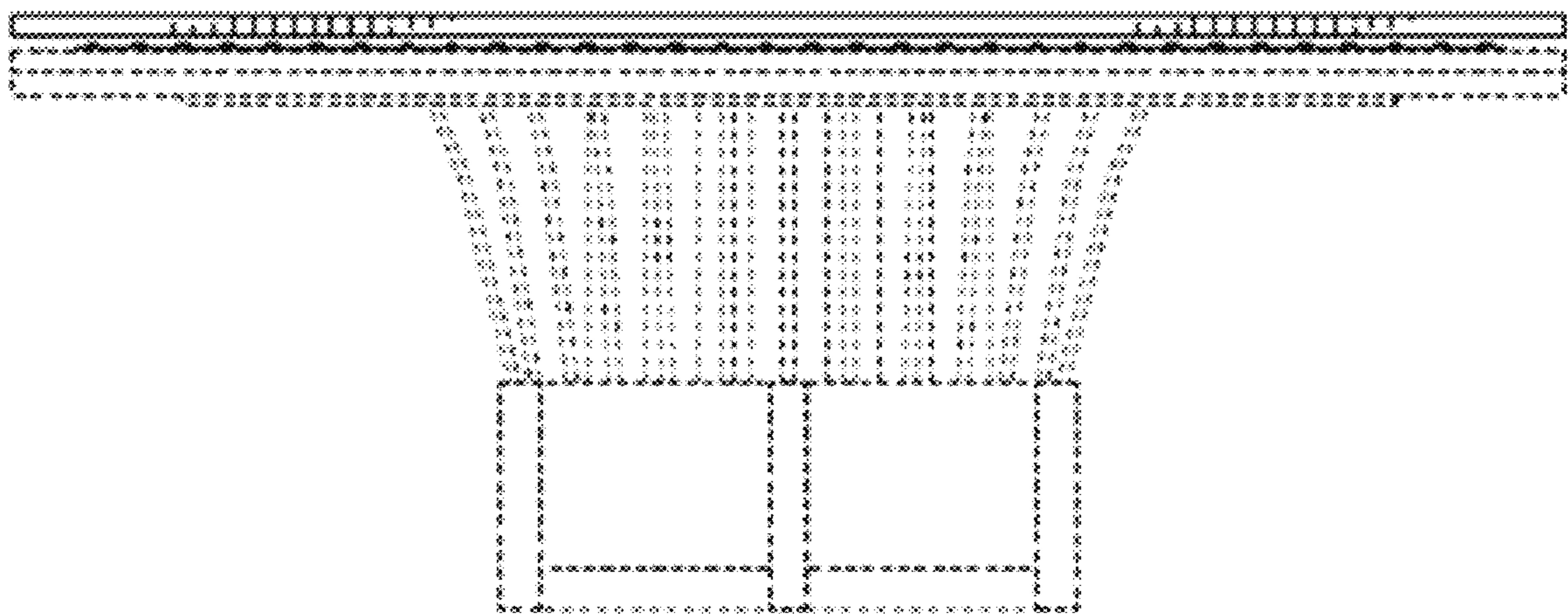


Fig. 5