



US00D904671S

(12) **United States Design Patent** (10) **Patent No.:** **US D904,671 S**  
**Verdi et al.** (45) **Date of Patent:** **\*\* Dec. 8, 2020**

(54) **LIGHTING FIXTURE ACCESSORY**

8,674,616 B2 3/2014 Holman et al.  
D712,963 S \* 9/2014 Fleet ..... D19/113  
D718,485 S \* 11/2014 Wright ..... D26/89  
(Continued)

(71) Applicants: **Danyel Verdi**, Los Angeles, CA (US);  
**Benjamin Verdi**, Los Angeles, CA (US)

(72) Inventors: **Danyel Verdi**, Los Angeles, CA (US);  
**Benjamin Verdi**, Los Angeles, CA (US)

(\*\*) Term: **15 Years**

**FOREIGN PATENT DOCUMENTS**

CN 101889166 A 11/2010  
DE 10117446 B4 1/2007  
(Continued)

(21) Appl. No.: **29/646,979**

**OTHER PUBLICATIONS**

(22) Filed: **May 8, 2018**

CLRD-0003 LED Round Panel 8 Dimmable <https://relightdepot.com/specs/CLRD-0003.pdf> Oct. 20, 2017 (Year: 2017).\*  
(Continued)

(51) **LOC (12) Cl.** ..... **26-05**

(52) **U.S. Cl.**  
USPC ..... **D26/118**

(58) **Field of Classification Search**  
USPC ..... D26/63–65, 72, 74–78, 85, 88, 89, 118,  
D26/138, 141  
CPC ..... H05B 37/0245; F21K 9/23; F21S 8/02;  
F21S 8/026; F21S 8/06; F21S 6/007;  
F21V 21/04; F21V 23/006; F21V 29/2212  
See application file for complete search history.

*Primary Examiner* — Leanne Was-Englehart  
(74) *Attorney, Agent, or Firm* — Brentwood IP Law, P.C.;  
Shahrooz Isaac Zaghi

(57) **CLAIM**

The ornamental design for a lighting fixture accessory,  
substantially as shown and described.

(56) **References Cited**

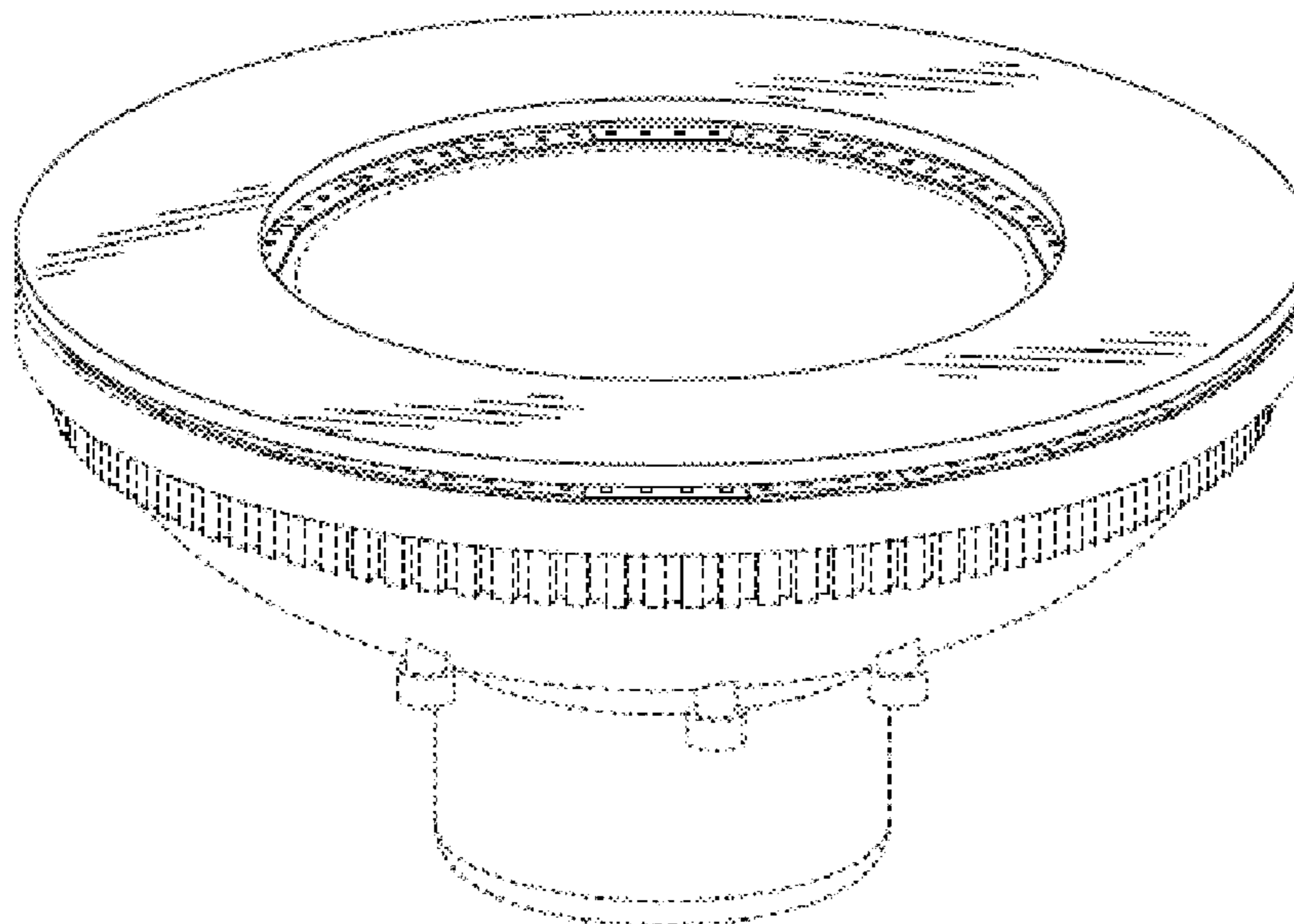
**DESCRIPTION**

**U.S. PATENT DOCUMENTS**

D320,862 S *	10/1991	Moeller	.....	D26/24
D353,910 S *	12/1994	Hayman	.....	D26/118
D428,180 S *	7/2000	Orellana	.....	D26/67
D487,816 S *	3/2004	Benghozi	.....	D26/118
D487,817 S *	3/2004	Benghozi	.....	D26/118
D488,583 S *	4/2004	Benghozi	.....	D26/118
7,025,477 B2 *	4/2006	Blessing	.....	F21V 27/02 362/364
D527,119 S *	8/2006	Maxik	.....	D26/2
D534,664 S *	1/2007	Geens	.....	D26/128
D581,554 S *	11/2008	To	.....	D26/2
D610,741 S *	2/2010	Trimi	.....	D26/120
D624,691 S *	9/2010	Zhang	.....	D26/138
D652,564 S *	1/2012	Maxik	.....	D26/118
D678,595 S *	3/2013	Wu	.....	D26/118

FIG. 1 is a perspective view showing the ornamental design of the lighting fixture accessory;  
FIG. 2 is an illustration provided herein as a visual aid, depicting a perspective view with the top portion removed showing the features underneath;  
FIG. 3 is a bottom view of the lighting fixture accessory;  
FIG. 4 is a top view showing the ornamental design of the lighting fixture accessory; and,  
FIG. 5 is a side view showing the ornamental design of the lighting fixture accessory.  
The broken lines depict portions of the lighting fixture assembly that form no part of the claimed design.

**1 Claim, 5 Drawing Sheets**



(56)

**References Cited**

U.S. PATENT DOCUMENTS

9,004,718 B2 4/2015 Myers et al.  
 9,188,318 B2 11/2015 Tickner et al.  
 9,557,021 B2 1/2017 Madden et al.  
 D779,100 S \* 2/2017 Redfem ..... D26/74  
 9,671,095 B1 6/2017 Sorensen et al.  
 D800,930 S \* 10/2017 Flokstra ..... D26/28  
 D827,914 S \* 9/2018 Momin ..... D26/124  
 10,091,855 B2 10/2018 Van Winkle  
 D850,696 S \* 6/2019 Zhu ..... D26/74  
 10,327,309 B1 \* 6/2019 Verdi ..... G07D 7/12  
 10,462,871 B2 10/2019 Van Winkle  
 10,492,262 B2 11/2019 Van Winkle  
 2010/0321953 A1 12/2010 Coleman et al.  
 2011/0255292 A1 \* 10/2011 Shen ..... F21V 15/01  
 362/311.02  
 2013/0044512 A1 2/2013 Araki et al.  
 2014/0003040 A1 1/2014 Holman et al.  
 2017/0314776 A1 \* 11/2017 Huang ..... F21V 7/22  
 2019/0056098 A1 \* 2/2019 Blake ..... F21V 19/003

FOREIGN PATENT DOCUMENTS

JP 2011040229 A 2/2011  
 JP 5304486 B2 10/2013  
 JP 5796167 B2 10/2015

JP 2017004730 A 1/2017  
 KR 20100110887 A 10/2010  
 KR 20160022595 A 3/2016  
 WO 2011098063 A1 8/2011

OTHER PUBLICATIONS

Vgradne svetilke—Svetila—Vse za dom <https://www.merkur.si/vse-za-dom/svetila/vgradne-svetilke/> May 1, 2017 (Year: 2017).\*

Mohamed Shohdy Ahmed, “Classification of lighting sources and convenience for lighting fixtures design” <http://www.journal.faa-design.com/pdf/5-2-shohdye.pdf>.

Leslie Adams, David Zuckerman, “The Effect of Lighting Conditions on Personal Space Requirements” <http://www.tandfonline.com/doi/abs/10.1080/00221309.1991.9917794>.

H.J.Han, Y.I.Jeon, S.H.Lim, W.W.Kim, K.Chen, “New developments in illumination, heating and cooling technologies for energy-efficient buildings” <http://www.sciencedirect.com/science/article/pii/S0360544209001947>.

U.S. Appl. No. 16/402,933, filed May 3, 2019, not yet published.

\* cited by examiner

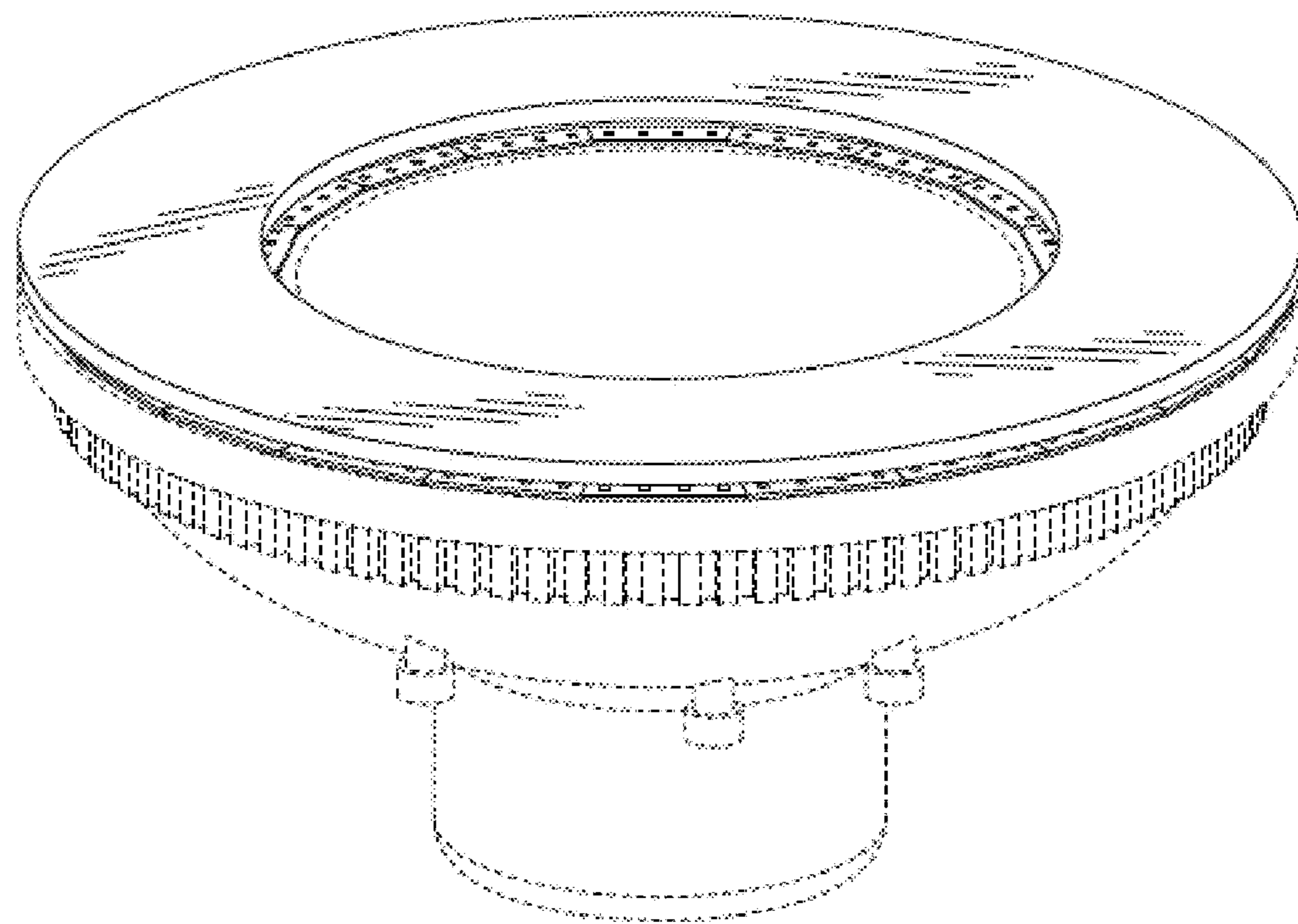


Fig. 1

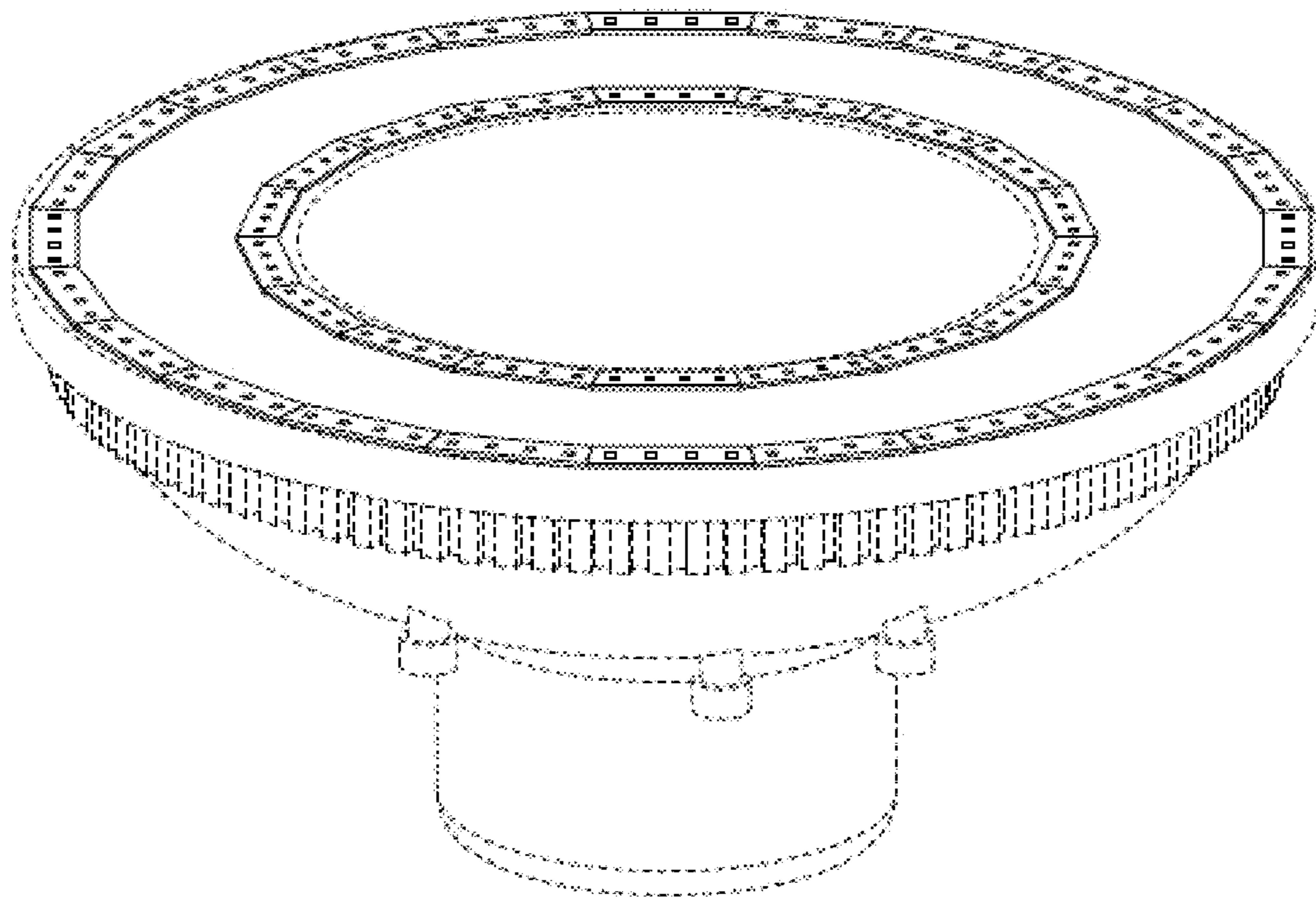


Fig. 2



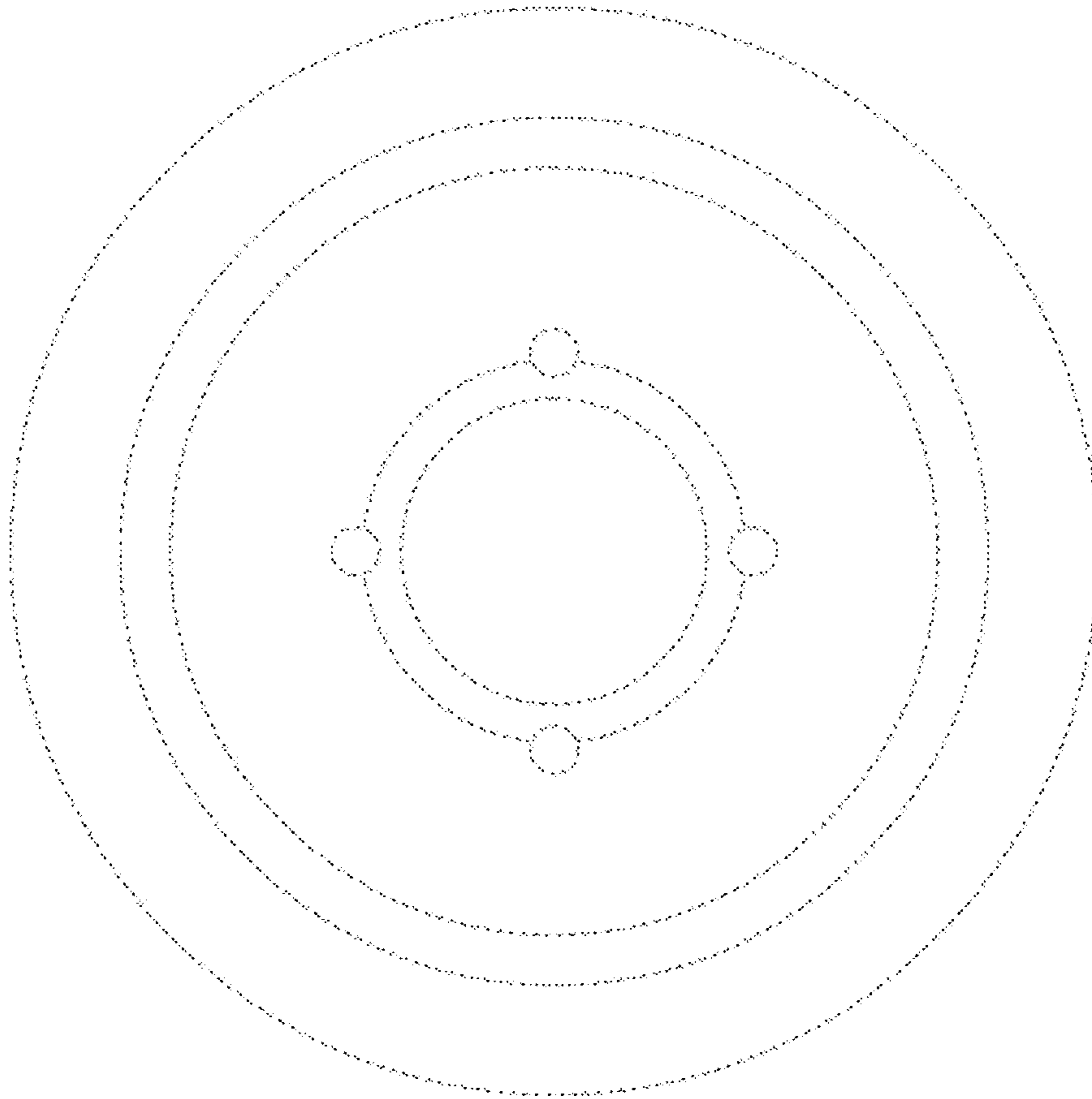


Fig. 3

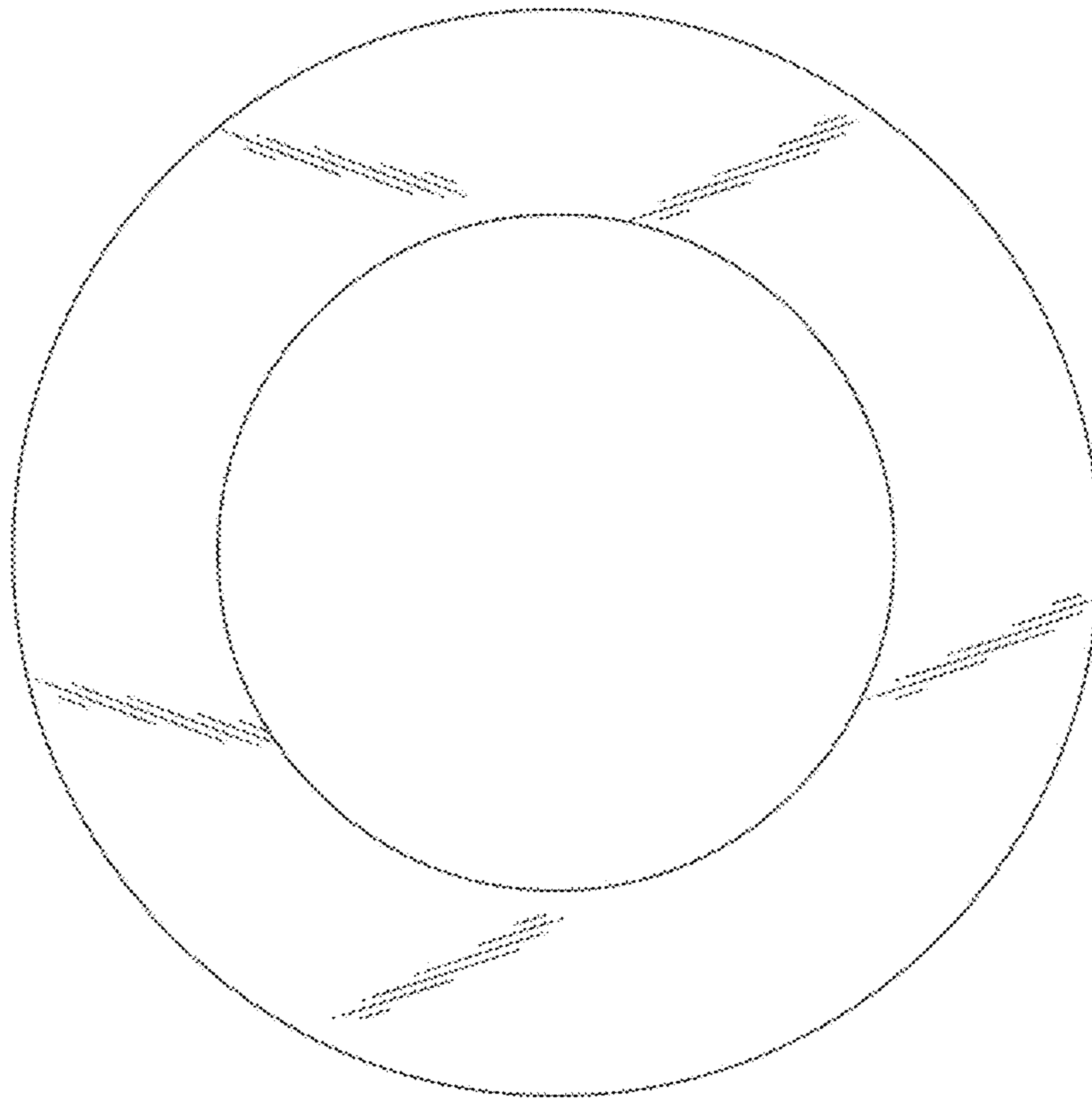


Fig. 4

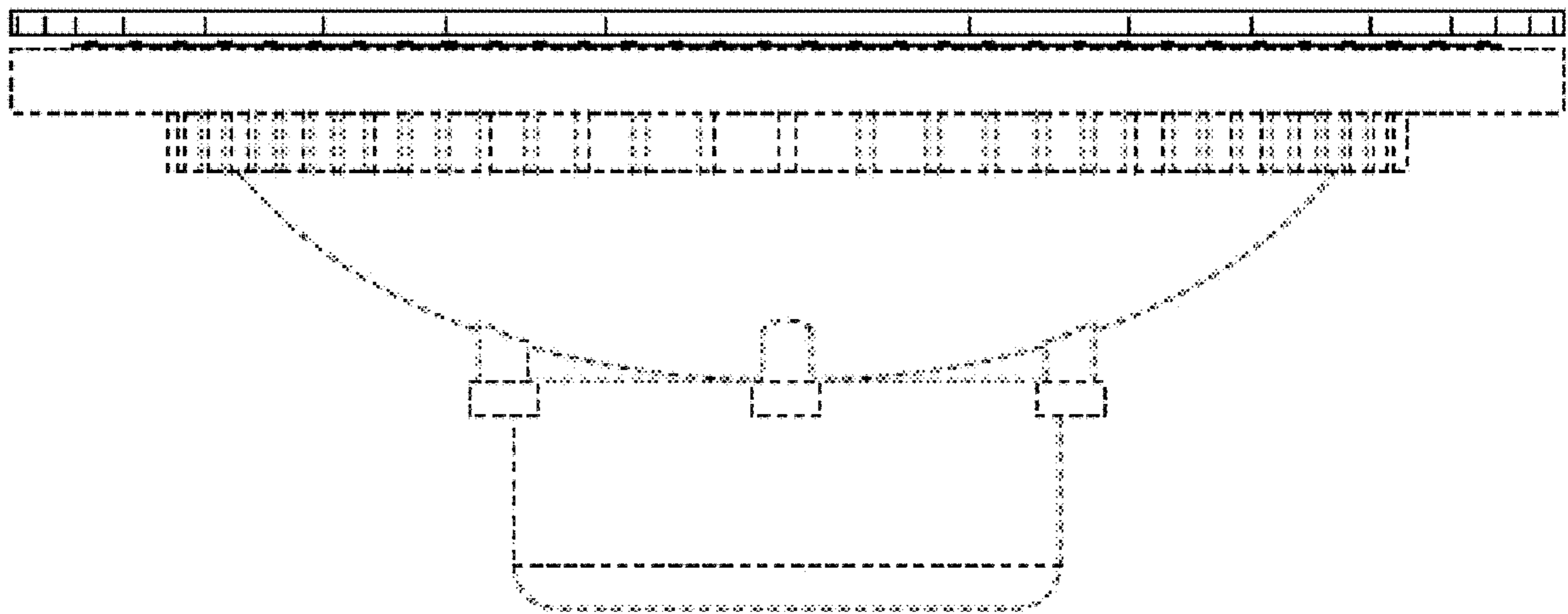


Fig. 5