



US00D904667S

(12) **United States Design Patent** (10) **Patent No.:** **US D904,667 S**  
**Johnson** (45) **Date of Patent:** **\*\* Dec. 8, 2020**

(54) **MOTION-SENSING LIGHT**  
(71) Applicant: **London Johnson, Inc.**, Dallas, TX (US)  
(72) Inventor: **Brian P. Johnson**, Dallas, TX (US)  
(73) Assignee: **London Johnson, Inc.**, Dallas, TX (US)  
(\*\*) Term: **15 Years**  
(21) Appl. No.: **29/650,451**  
(22) Filed: **Jun. 6, 2018**  
(51) **LOC (12) Cl.** ..... **26-03**  
(52) **U.S. Cl.**  
USPC ..... **D26/89**  
(58) **Field of Classification Search**  
USPC ..... D26/72, 76, 80, 85, 89; D10/106.6, D10/106.8  
CPC .... F21S 8/03; F21S 8/033; F21S 8/036; F21S 8/037; F21S 9/022; F21S 9/024; F21S 9/03; F21S 9/035; F21S 9/037; F21W 2131/107; G08B 13/193  
See application file for complete search history.

(56) **References Cited**

**U.S. PATENT DOCUMENTS**

D556,938 S \* 12/2007 Russello ..... D26/89  
D607,135 S \* 12/2009 Levine ..... D26/61  
D668,375 S \* 10/2012 Daniels ..... D26/89  
D669,624 S \* 10/2012 Daniels ..... D26/89  
D684,718 S \* 6/2013 Ko ..... D26/72  
D703,856 S \* 4/2014 Shargh ..... D26/72  
D706,152 S \* 6/2014 Ni ..... D10/106.6  
D713,584 S \* 9/2014 Maxik ..... D26/72  
D755,068 S \* 5/2016 Treadwell ..... D10/106.6  
D783,195 S \* 4/2017 Gan ..... D26/89  
9,625,125 B1 \* 4/2017 Bryant ..... F21V 14/06  
D830,607 S \* 10/2018 Recker ..... D26/85

D874,709 S \* 2/2020 Coleman ..... D26/89  
2014/0085093 A1 \* 3/2014 Mittleman ..... G08B 17/11  
340/628  
2019/0132933 A1 \* 5/2019 Israni ..... F21V 21/0824

**OTHER PUBLICATIONS**

Brilliant Evolution Wireless Motion Sensor LED Ceiling Light available at amazon.com Jun. 27, 2018. (Year: 2018).\*

(Continued)

*Primary Examiner* — Clare E Heflin

(74) *Attorney, Agent, or Firm* — Perkins Coie LLP

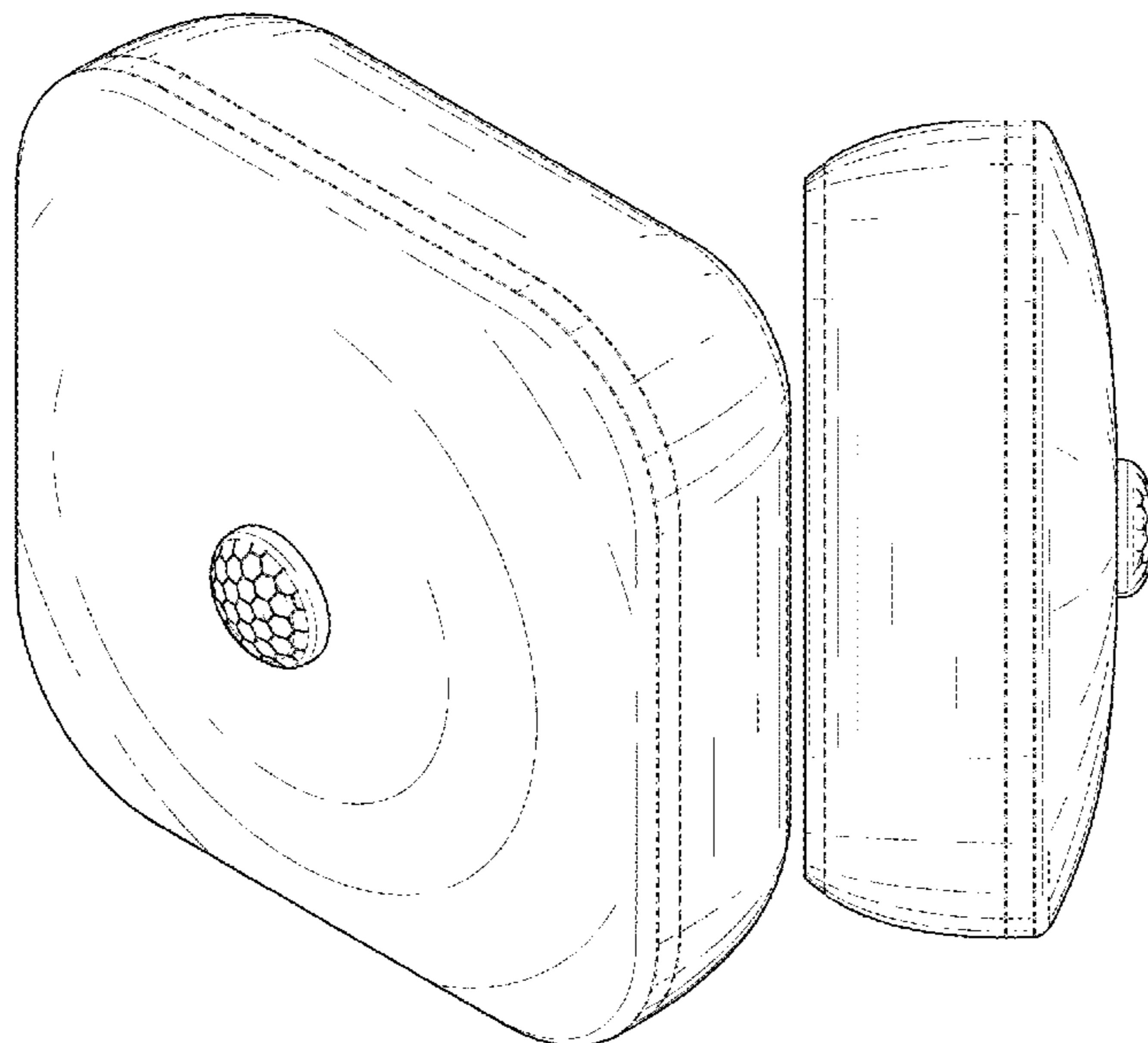
(57) **CLAIM**

The ornamental design for a motion-sensing light, as shown and described.

**DESCRIPTION**

FIG. 1 is a perspective view of a motion-sensing light showing a first embodiment of my new design;  
FIG. 2 is a front profile view thereof.  
FIG. 3 is a back profile view thereof.  
FIG. 4 is a left side profile view thereof.  
FIG. 5 is a right side profile view thereof.  
FIG. 6 is a top plan view thereof.  
FIG. 7 is a bottom plan view thereof.  
FIG. 8 is a perspective view of a motion-sensing light showing a second embodiment of my new design;  
FIG. 9 is a front profile view thereof.  
FIG. 10 is a back profile view thereof.  
FIG. 11 is a left side profile view thereof.  
FIG. 12 is a right side profile view thereof.  
FIG. 13 is a top plan view thereof; and,  
FIG. 14 is a bottom plan view thereof.  
The details shown in broken lines illustrate features that form no part of the claimed designs.

**1 Claim, 6 Drawing Sheets**



(56)

**References Cited**

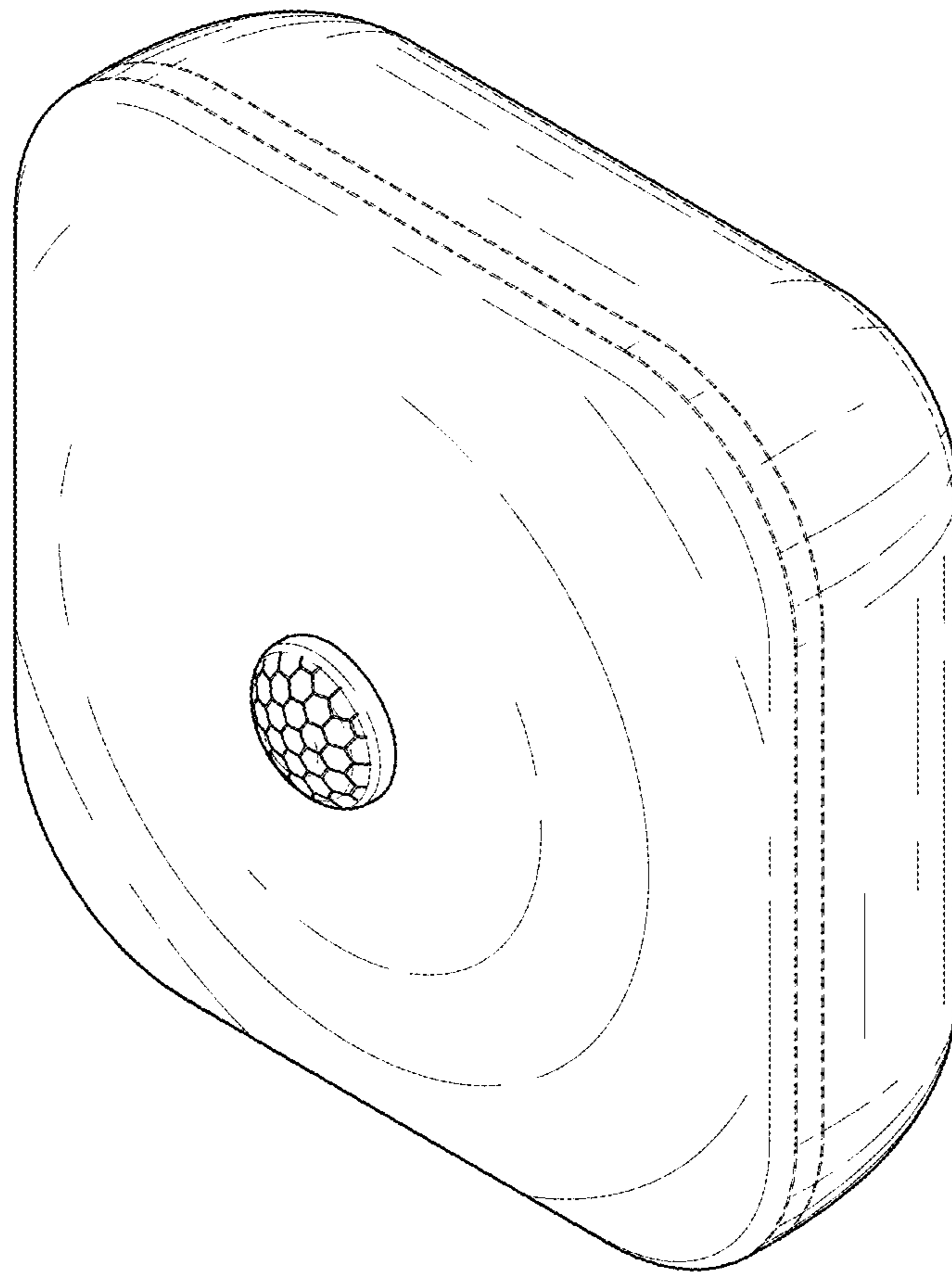
OTHER PUBLICATIONS

Mr. Beams MB980 Wireless Battery-Operated Indoor/Outdoor Motion-Sensing LED Ceiling Light available at amazon.com Nov. 3, 2000. (Year: 2000).\*

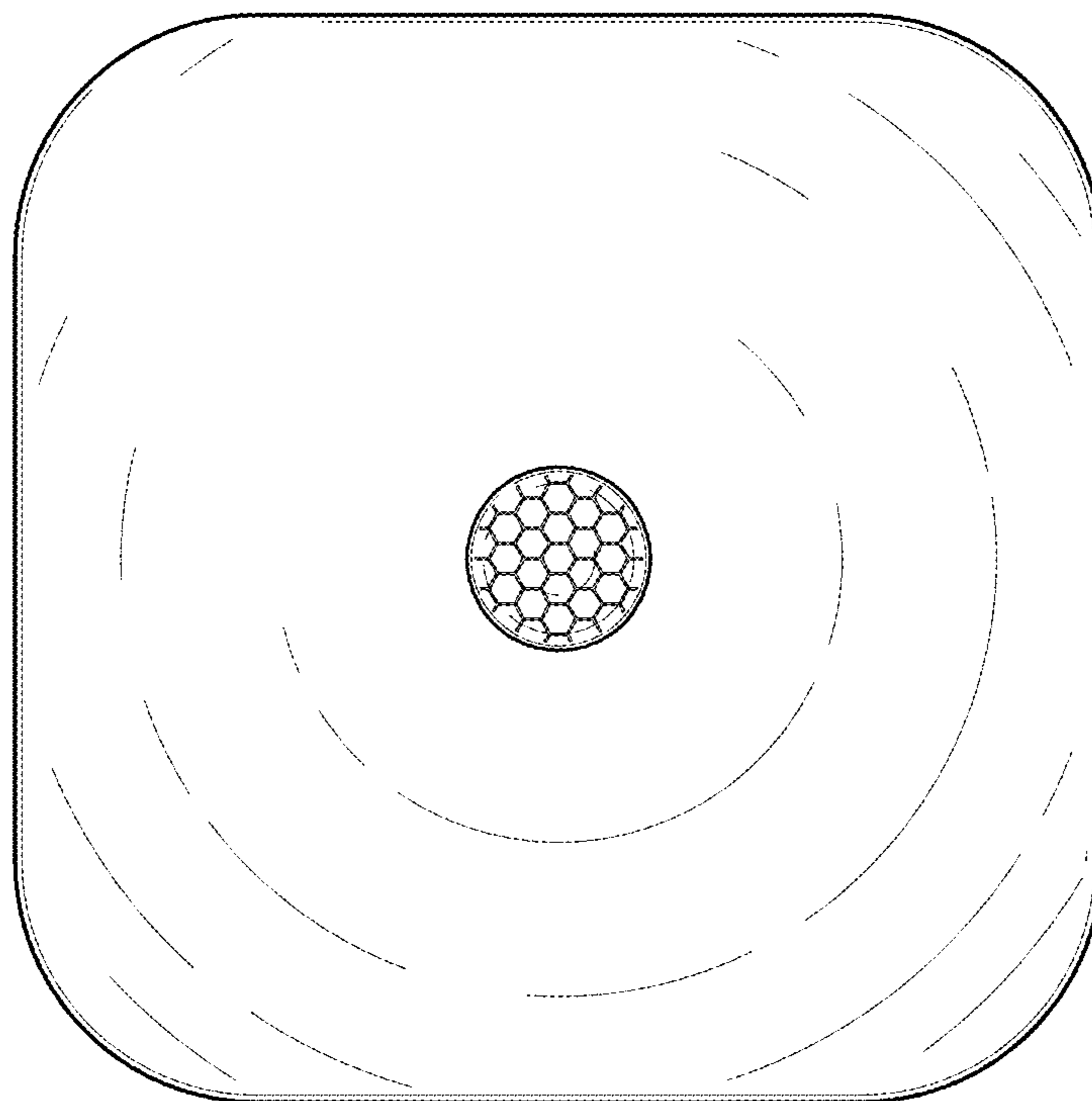
Ring Smart Lighting—battery-powered outdoor Motion Sensor available at amazon.com as early as Jun. 11, 2019. (Year: 2019).\*

Motion Sensor Square LED Night Light from <gearbest.com/decorative-lights/pp\_1647930.html> visited May 18, 2020. (Year: 2020).\*

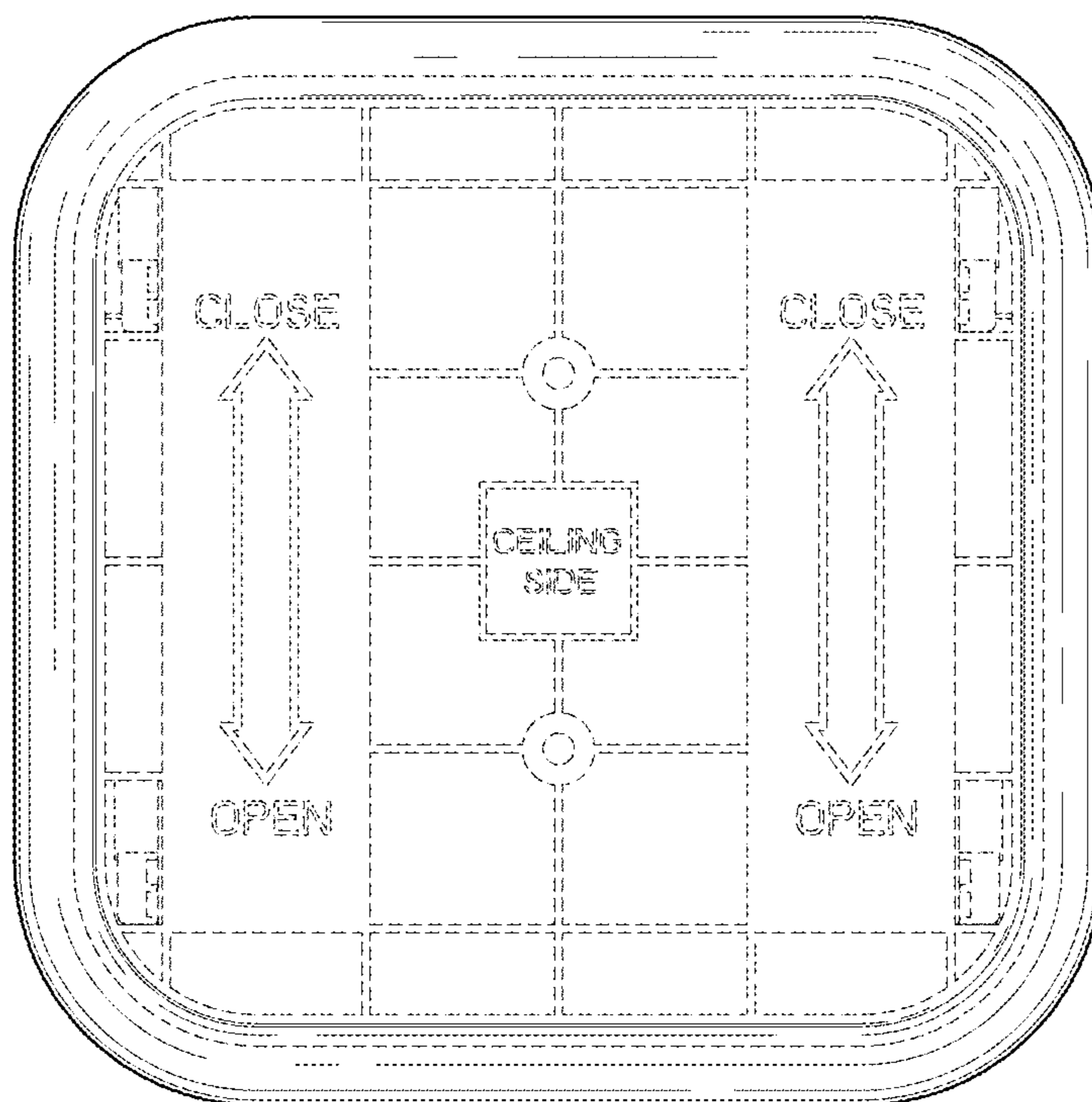
\* cited by examiner



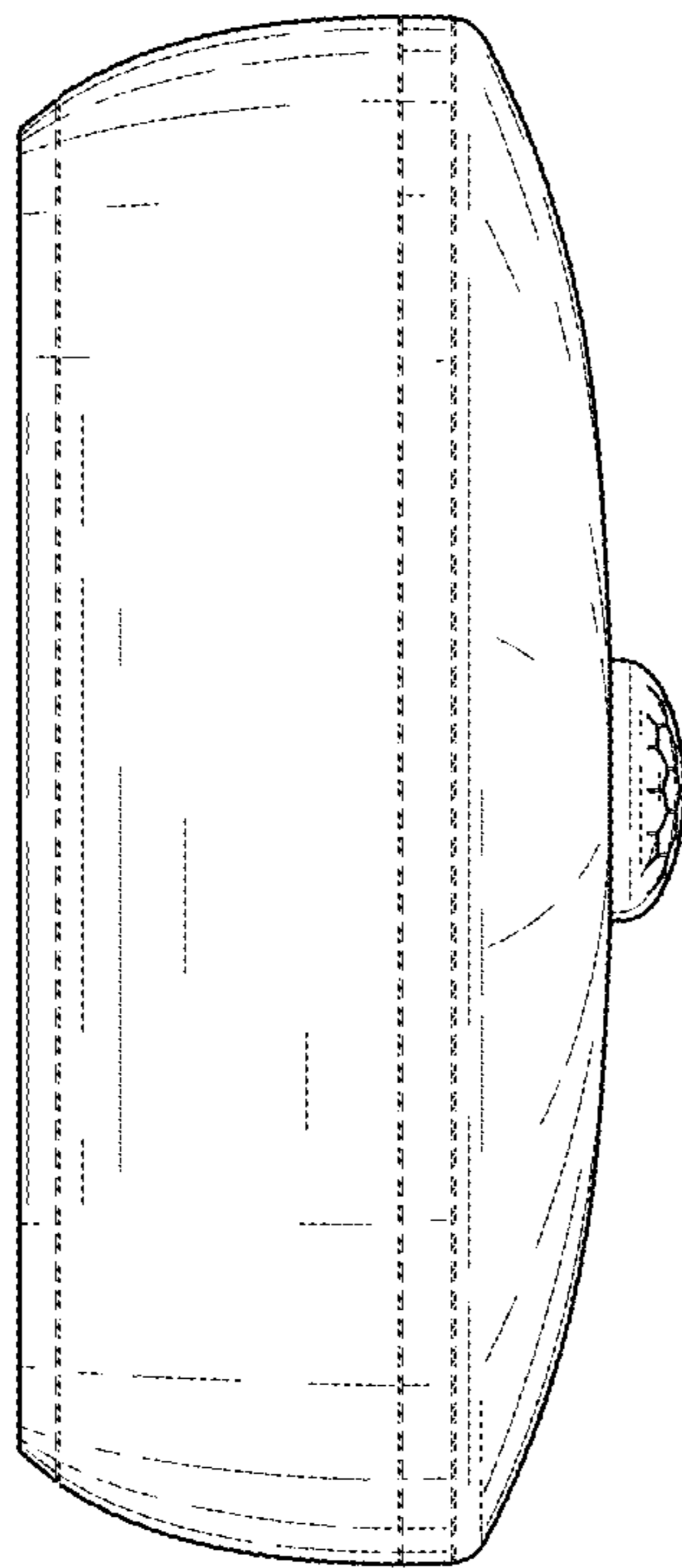
*Fig. 1*



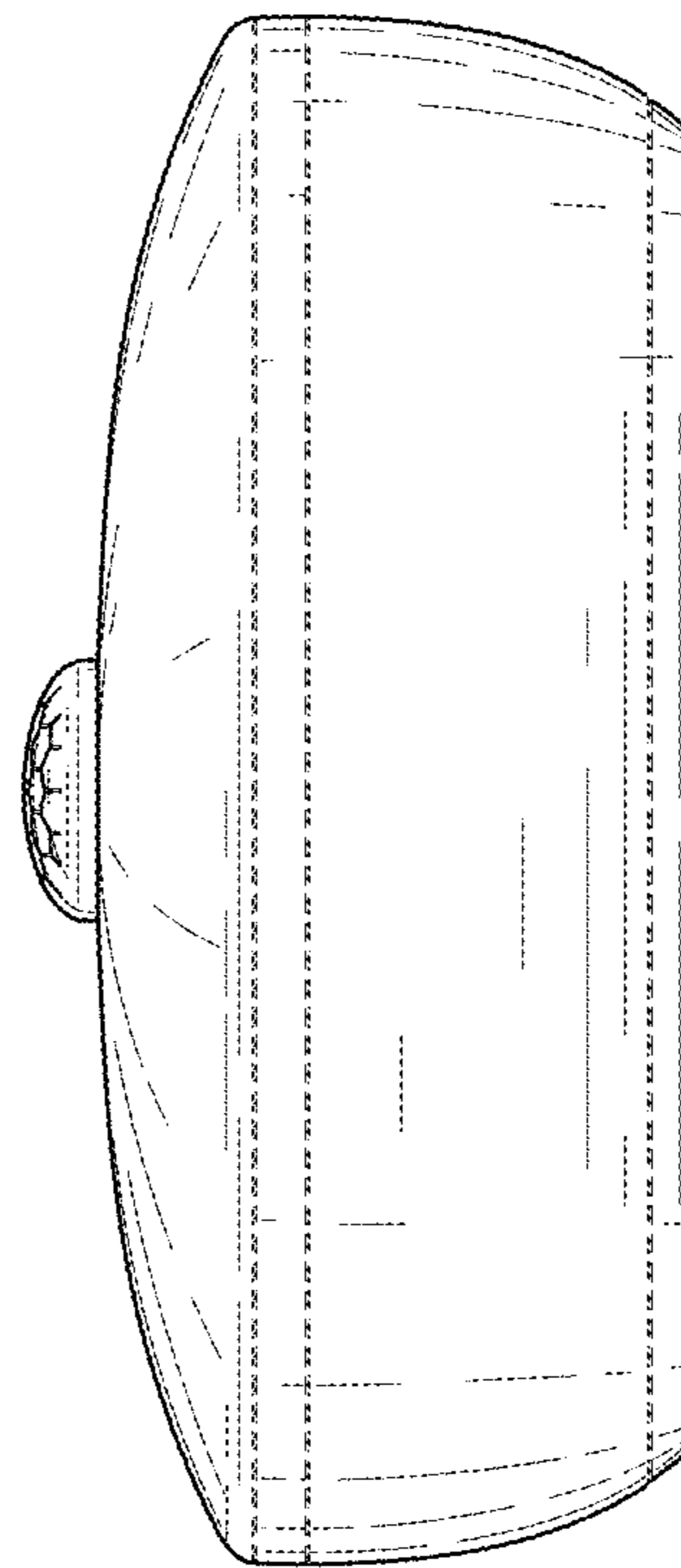
*Fig. 2*



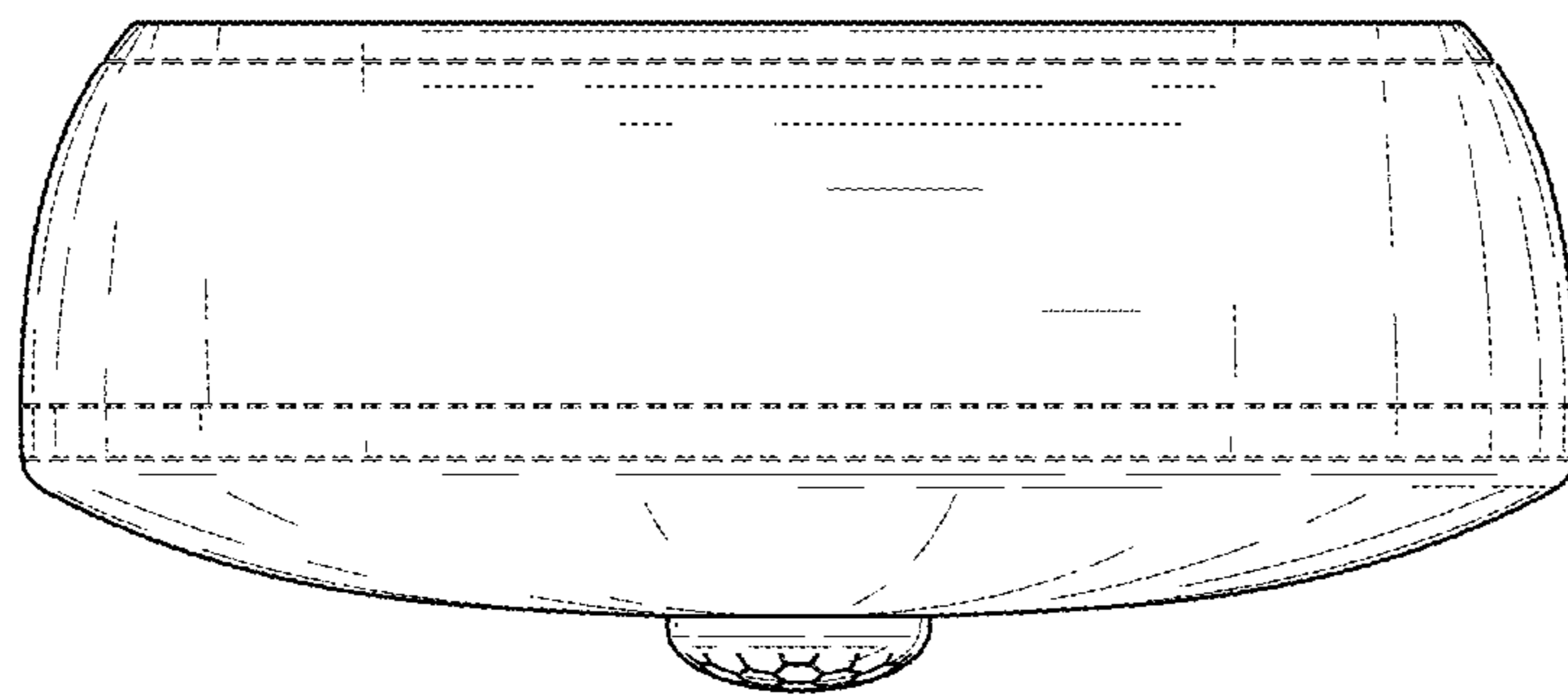
*Fig. 3*



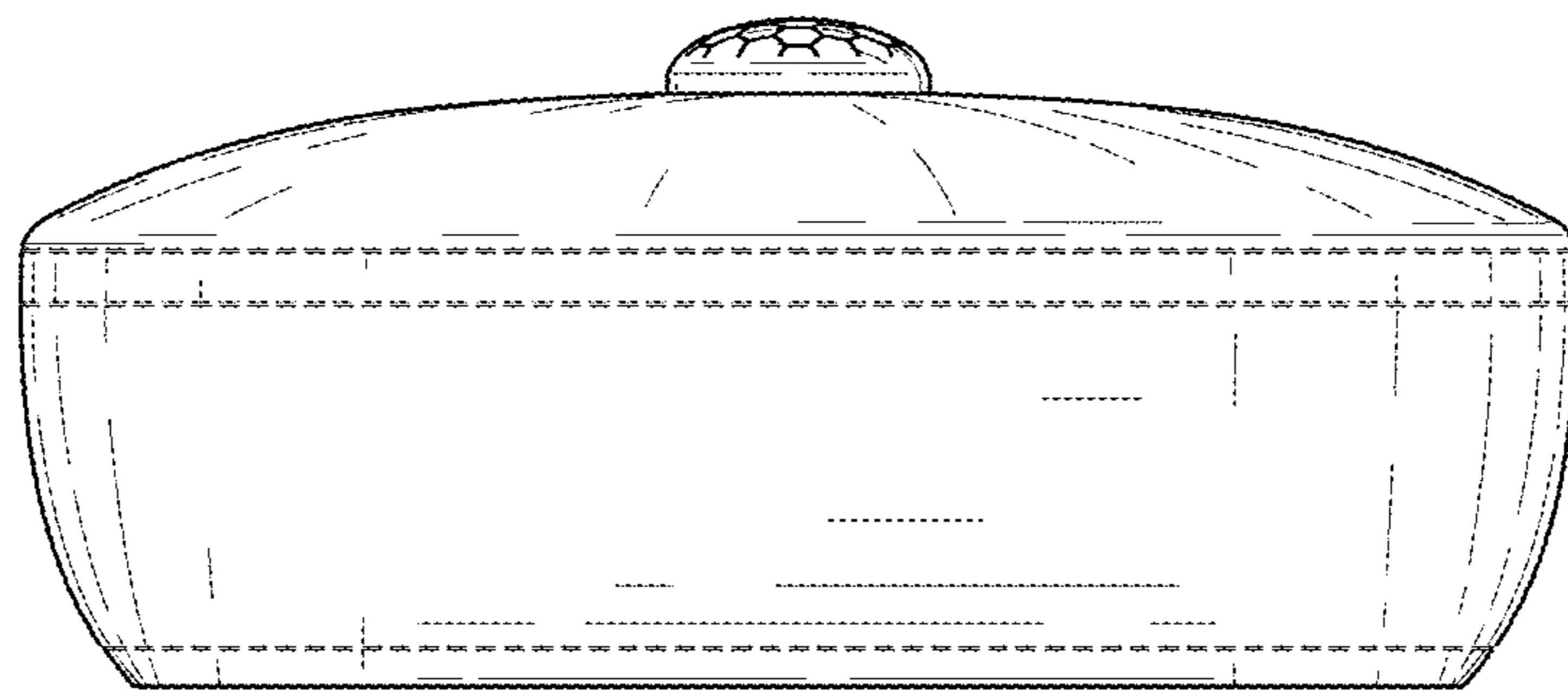
*Fig. 4*



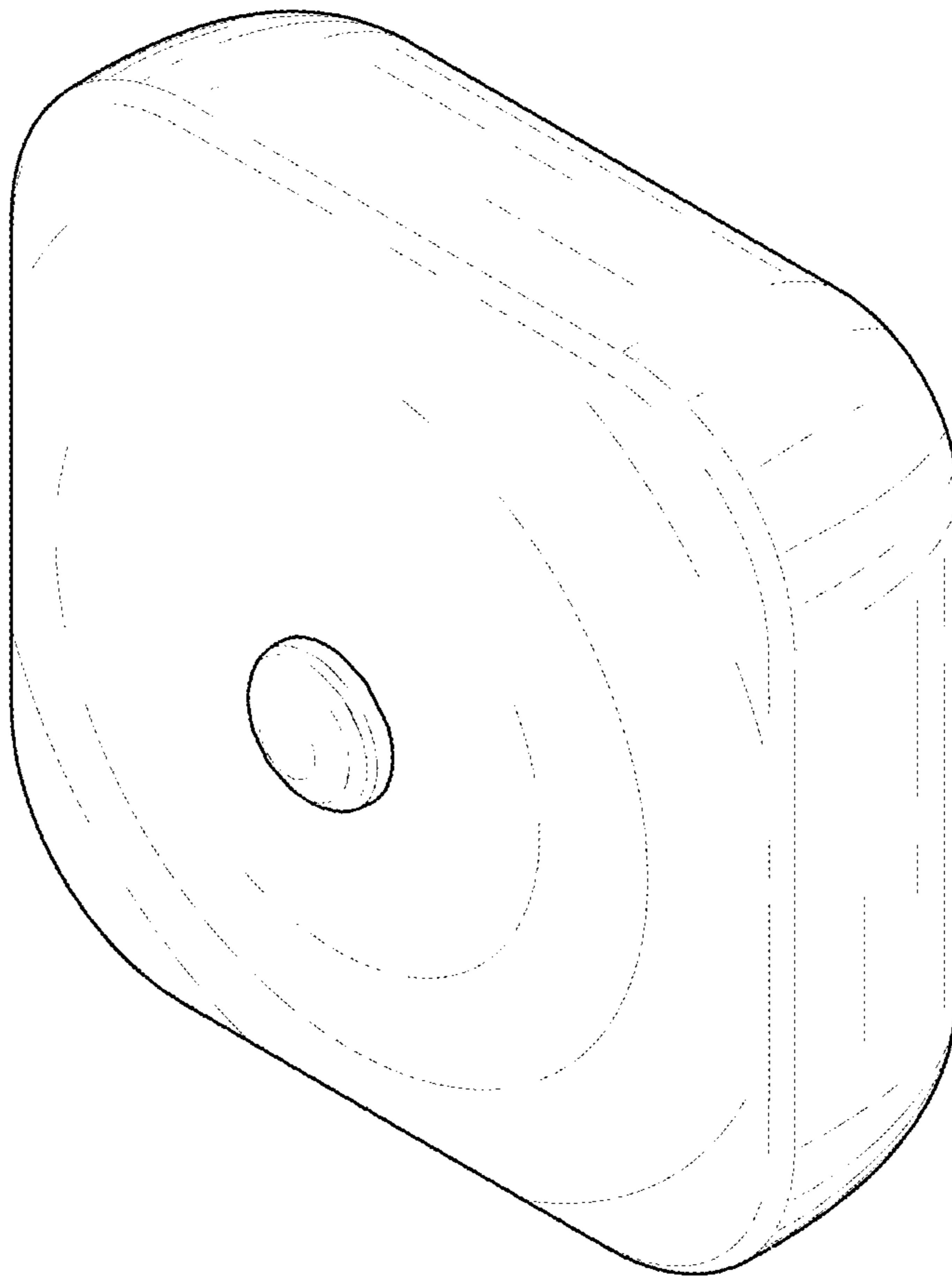
*Fig. 5*



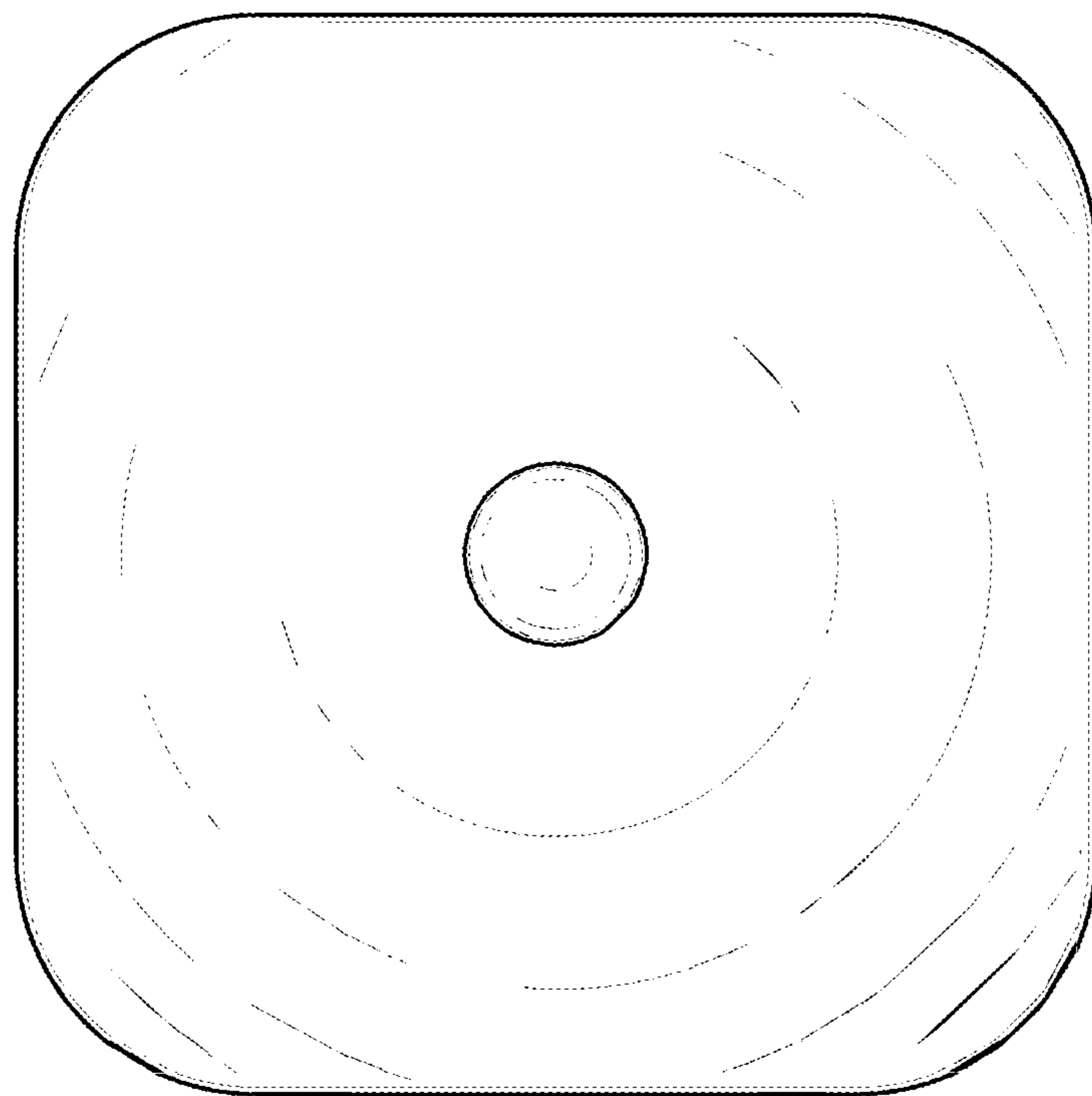
*Fig. 6*



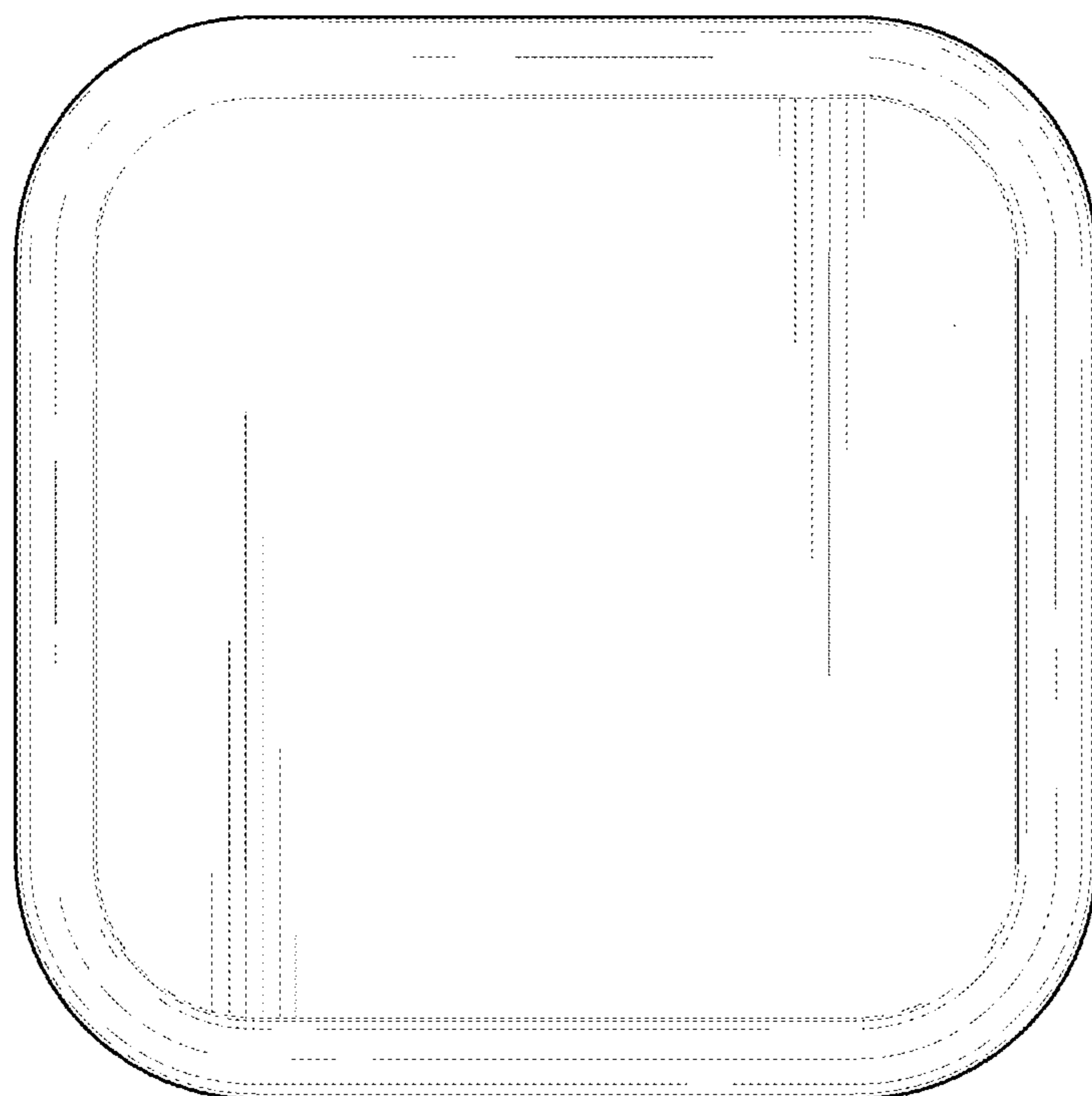
*Fig. 7*



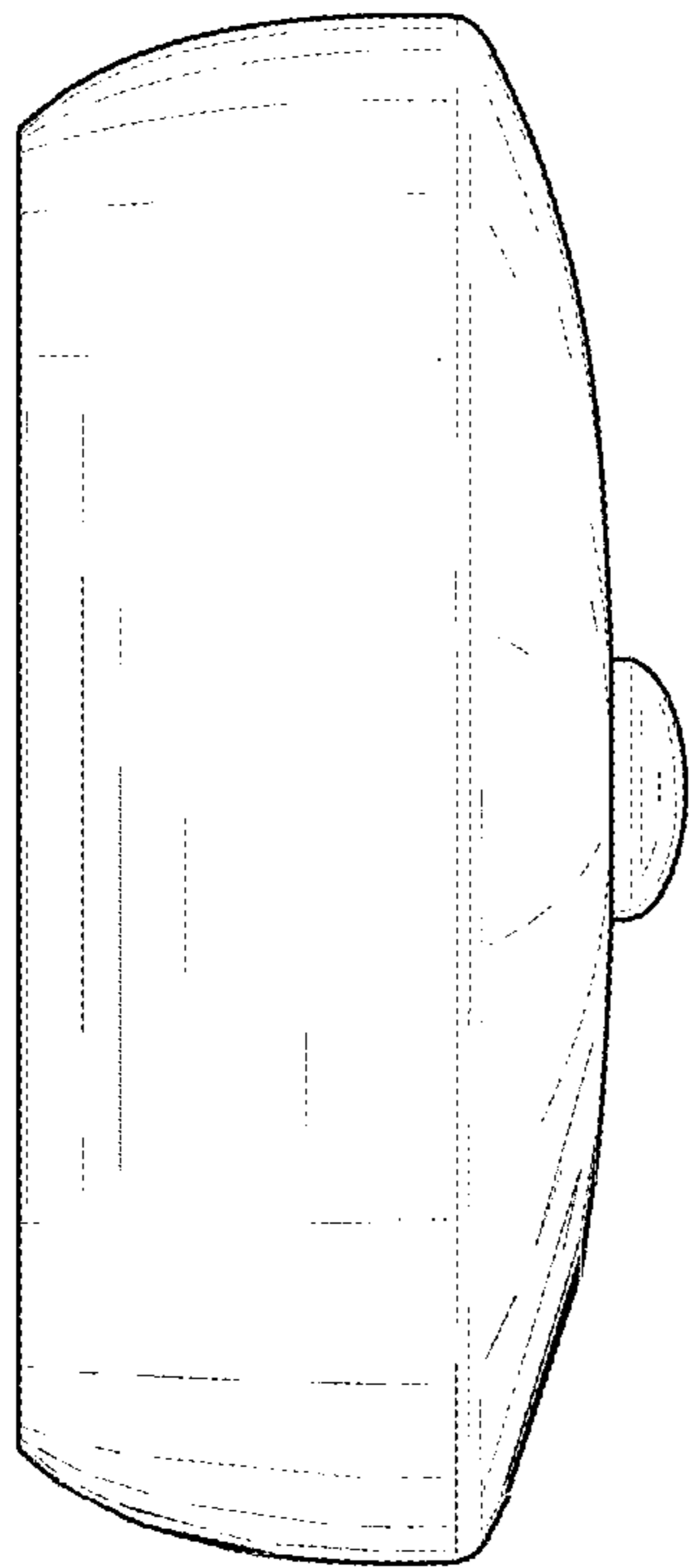
*Fig. 8*



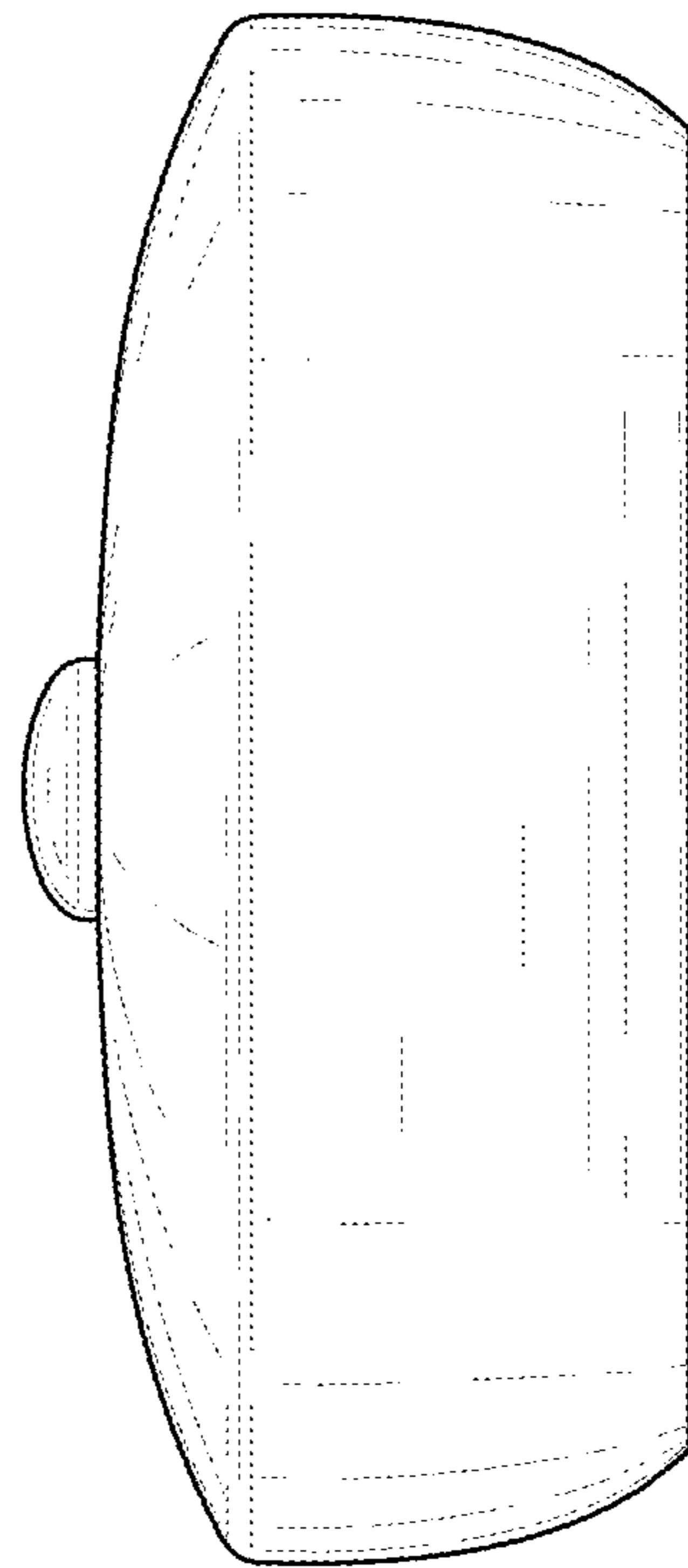
*Fig. 9*



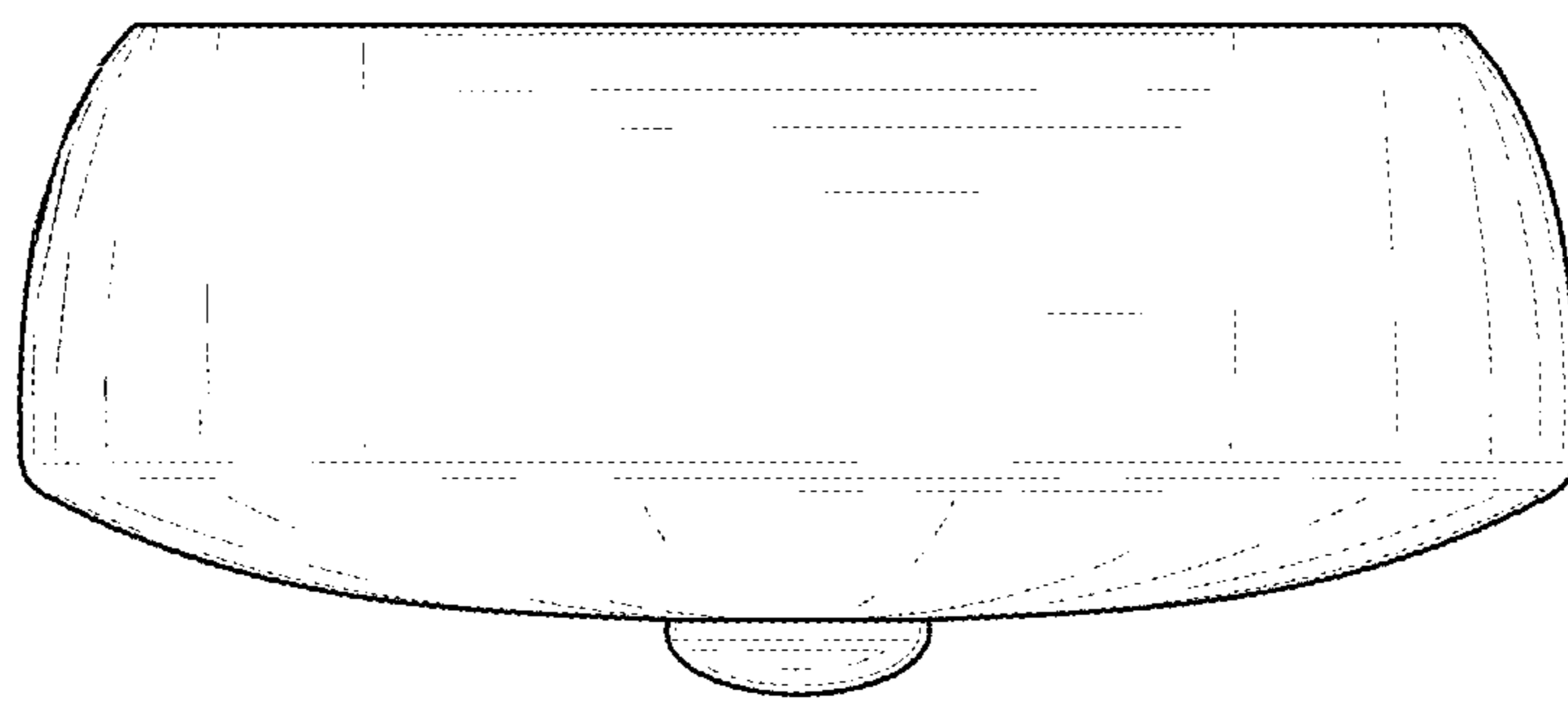
*Fig. 10*



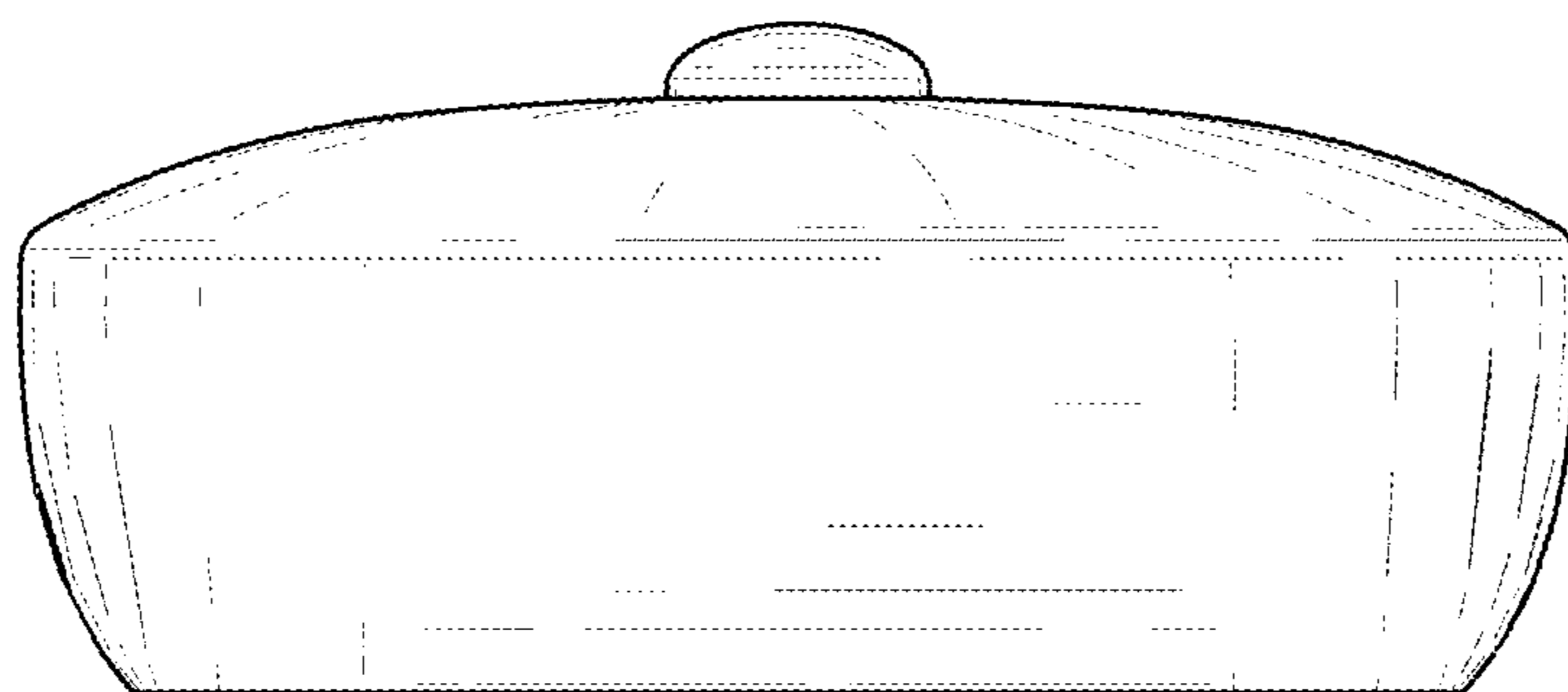
*Fig. 11*



*Fig. 12*



*Fig. 13*



*Fig. 14*