



US00D904666S

(12) **United States Design Patent** (10) **Patent No.:** **US D904,666 S**
Pazula (45) **Date of Patent:** **** Dec. 8, 2020**

(54) **LIGHTING FIXTURE**

(71) Applicant: **Kichler Lighting LLC**, Cleveland, OH (US)

(72) Inventor: **Bruce Raymond Pazula**, Broadview Heights, OH (US)

(73) Assignee: **Kichler Lighting LLC**, Cleveland, OH (US)

(**) Term: **15 Years**

(21) Appl. No.: **29/636,078**

(22) Filed: **Feb. 6, 2018**

Related U.S. Application Data

(63) Continuation of application No. 29/505,734, filed on Jan. 21, 2016, now Pat. No. Des. 812,800.

(51) **LOC (12) Cl.** **26-03**

(52) **U.S. Cl.**
USPC **D26/88**; D26/131

(58) **Field of Classification Search**

USPC D26/67, 72, 85, 87, 88, 90, 131, 135
CPC F21S 8/03; F21S 8/035; F21S 8/036; F21S 8/043; F21S 8/06; F21S 8/061; F21S 8/063; F21S 13/02; F21S 13/04; F21S 13/10; F21V 21/104; F21W 2121/004; F21W 2131/109

See application file for complete search history.

(56) **References Cited**

U.S. PATENT DOCUMENTS

D47,677 S * 8/1915 Woodhead D26/88
D61,077 S * 6/1922 Adam D26/88
1,610,483 A * 12/1926 Blackwell F21S 8/06
362/307
D75,602 S * 6/1928 Arthur D26/132
1,702,502 A * 2/1929 Olier, Jr. F16G 13/16
59/78.1

(Continued)

OTHER PUBLICATIONS

Kichler 42046OZ, Everly Round Pendant, 1 Light at amazon.com Jun. 27, 2012 (Year: 2012).*

(Continued)

Primary Examiner — Clare E Heflin

(74) *Attorney, Agent, or Firm* — Brooks Kushman P.C.

(57) **CLAIM**

I claim the ornamental design for the lighting fixture, as shown and described.

DESCRIPTION

FIG. 1 is a perspective view of a lighting fixture. Excluding the fasteners, this fixture has three-way, one hundred twenty degree overall rotational symmetry. The shade, stem, sockets, and canopy each have a circular horizontal cross-section.

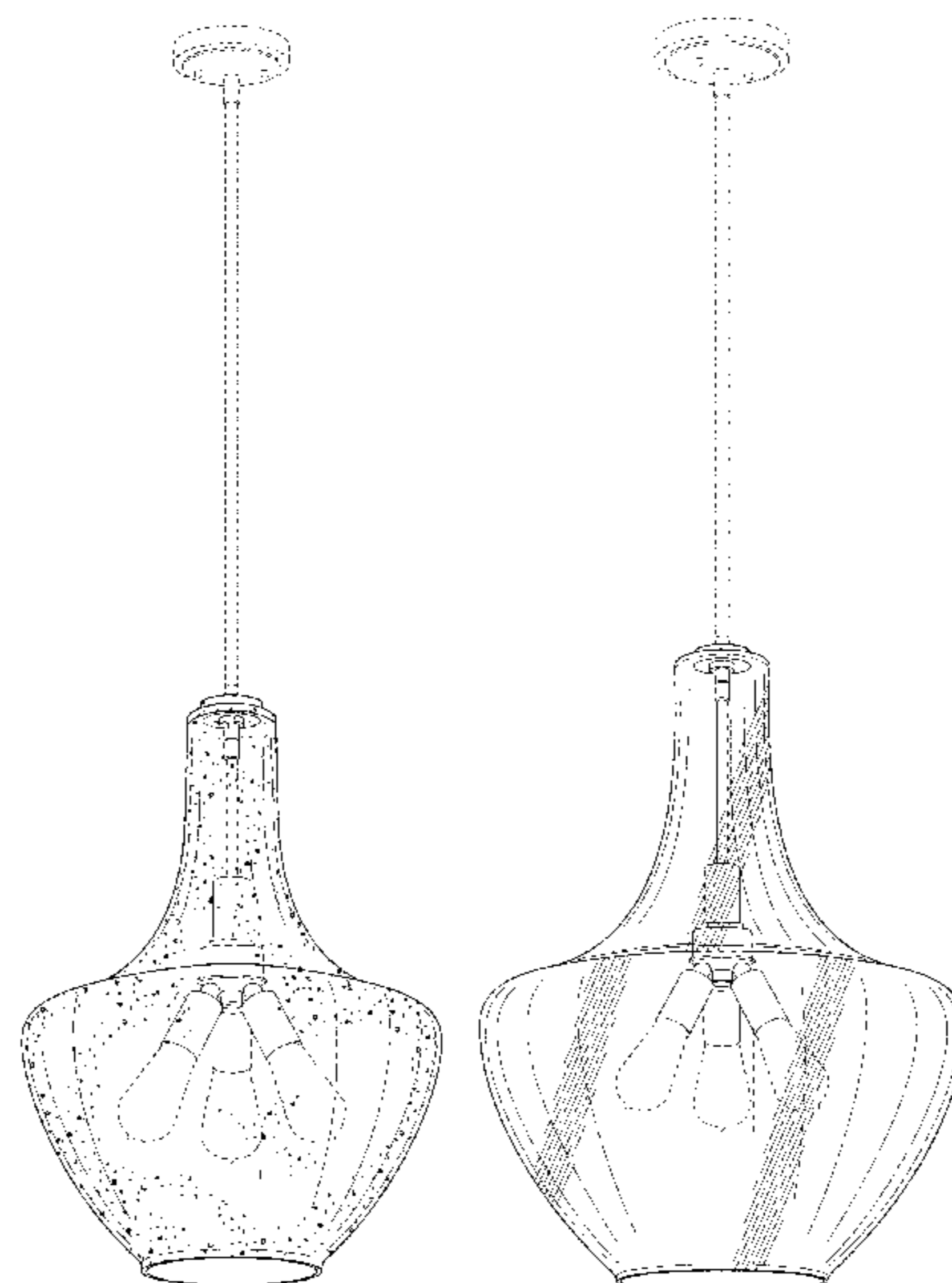
FIG. 2 is a fragmentary side elevation view showing a portion of the stem and shade and one socket of the lighting fixture.

FIG. 3 is a perspective view of a lighting fixture. Excluding the fasteners, this fixture has three-way, one hundred twenty degree overall rotational symmetry. The shade, stem, sockets, and canopy each have a circular horizontal cross-section; and,

FIG. 4 is a fragmentary side elevation view showing a portion of the stem and shade and one socket of the lighting fixture.

The dashed lines on the drawing depict portions of the lighting fixture that form no part of the claimed design. The dot-dash lines represent the location on the fixture where the fragmentary view is cut. In FIG. 1 the seeded texture is fragmentarily shown on the globe for convenience of illustration, it being understood that the seeded texture is continuous over the entire surface of the globe.

1 Claim, 4 Drawing Sheets



(56)

References Cited

U.S. PATENT DOCUMENTS

3,973,116 A * 8/1976 Leonard F21S 8/06
362/405
D368,973 S * 4/1996 Dolan D26/131
D818,180 S * 5/2018 Gambrel D26/88
D862,773 S * 10/2019 Richardson D26/88
D869,734 S * 12/2019 Babutzka D26/88
2016/0238229 A1 * 8/2016 Smitt F21V 23/06
2017/0159918 A1 * 6/2017 Yang F21V 23/002

OTHER PUBLICATIONS

Kichler 42190NI Three Light Pendant at amazon.com Dec. 28, 2015. (Year: 2015).*

Savoy House 7-4034-3-11 Octave 3-Light Pendant at amazon.com Jan. 17, 2018. (Year: 2018).*

Brushed Nickel Jewell 3-Light Single Schoolhouse Pendant at wayfair.com as early as Oct. 19, 2016. (Year: 2016).*

* cited by examiner

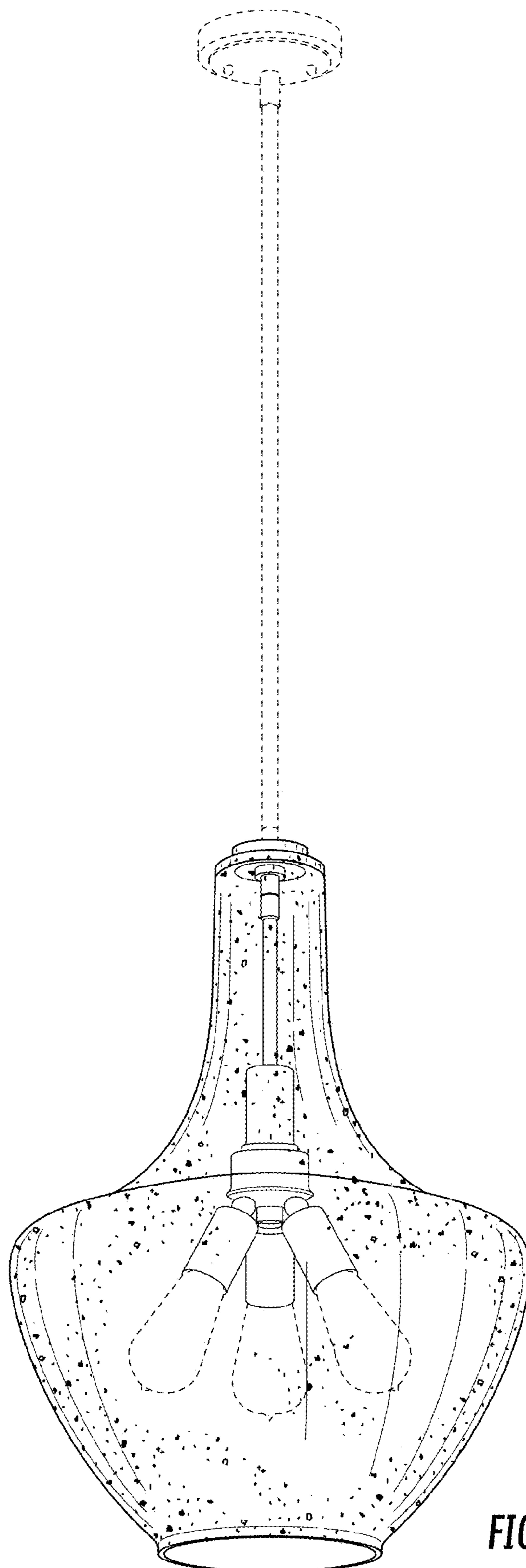


FIG. 1

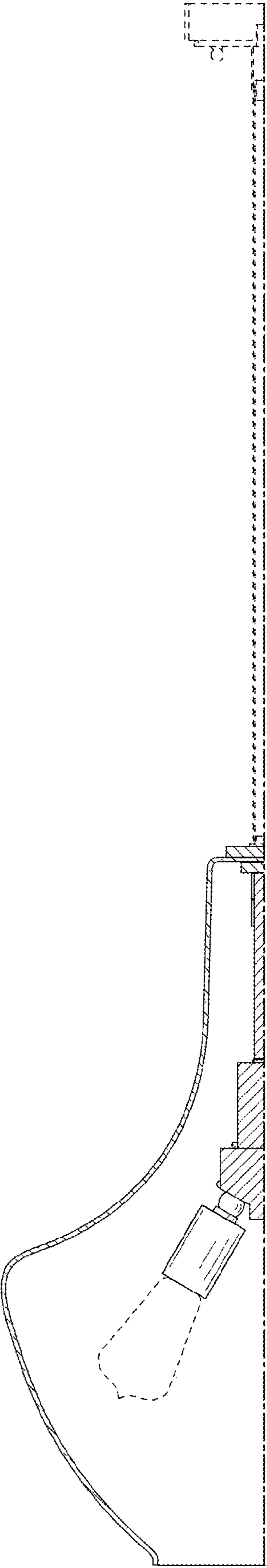


FIG. 2

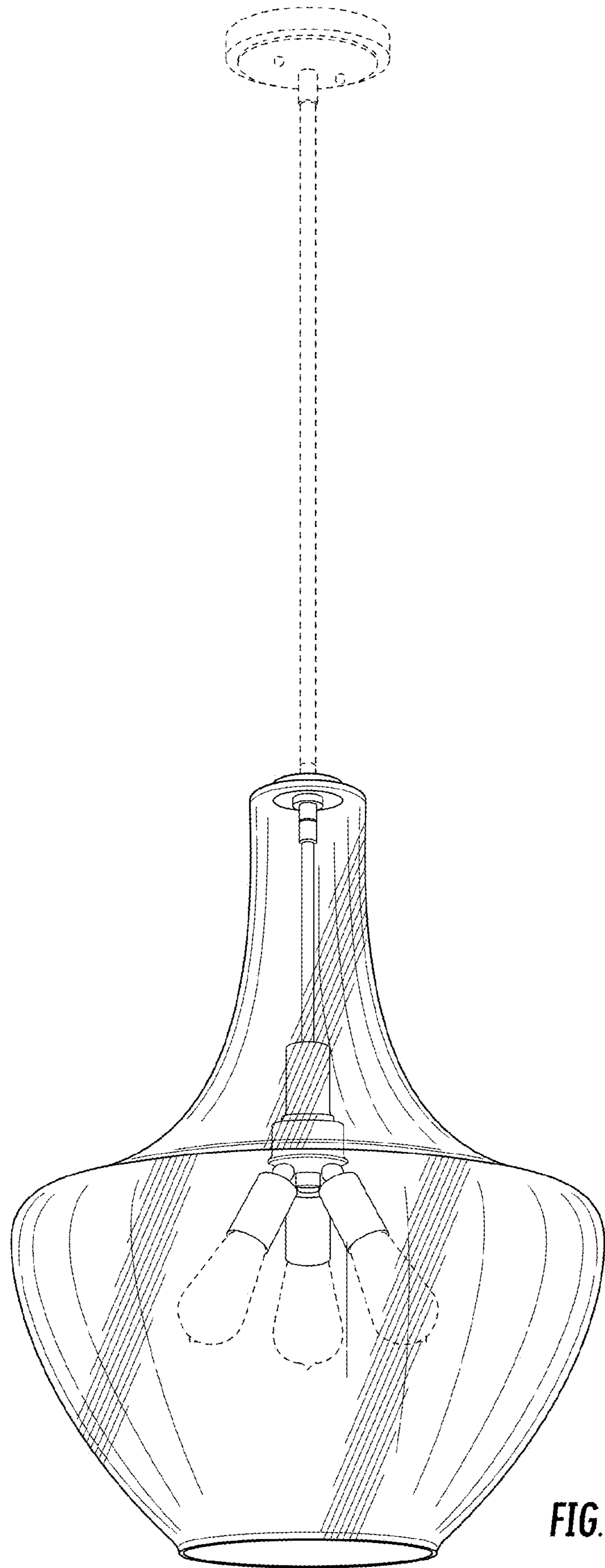


FIG. 3

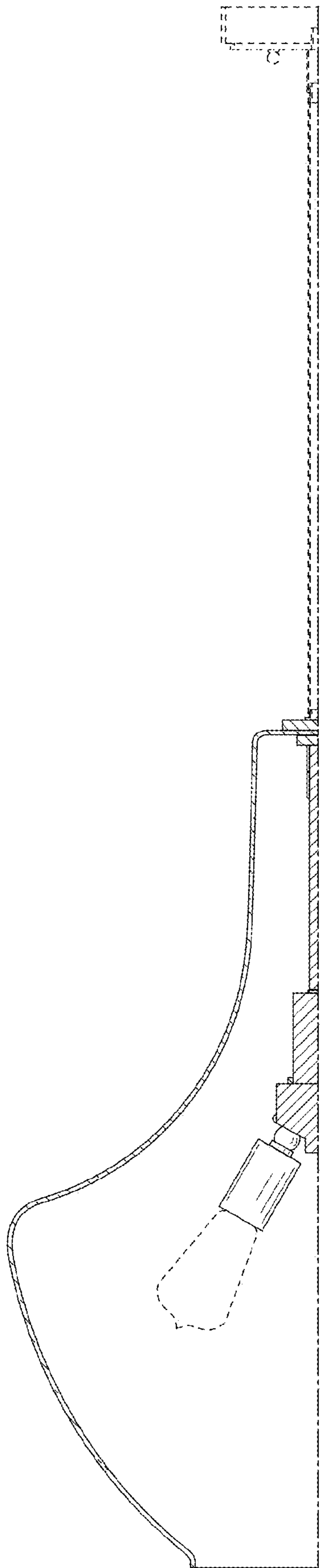


FIG. 4