



US00D904665S

(12) **United States Design Patent**  
**Martin**

(10) **Patent No.:** **US D904,665 S**  
(45) **Date of Patent:** **\*\* Dec. 8, 2020**

(54) **LIGHTING FIXTURE**

(71) Applicant: **Kiehler Lighting LLC**, Cleveland, OH (US)

(72) Inventor: **Gregory P. Martin**, South Euclid, OH (US)

(73) Assignee: **Kiehler Lighting LLC**, Cleveland, OH (US)

(\*\*) Term: **15 Years**

(21) Appl. No.: **29/653,215**

(22) Filed: **Jun. 13, 2018**

(51) **LOC (12) Cl.** ..... **26-03**

(52) **U.S. Cl.**  
USPC ..... **D26/81; D26/82; D26/86**

(58) **Field of Classification Search**  
USPC ..... **D26/72, 80, 81, 82, 84, 86, 88, 90**  
(Continued)

(56) **References Cited**

**U.S. PATENT DOCUMENTS**

D40,297 S \* 10/1909 Schneider ..... D26/84  
D80,313 S \* 1/1930 Hoch ..... D26/81

(Continued)

**OTHER PUBLICATIONS**

Basinger 12—Light Sputnik Sphere Chandelier available at wayfair.com as early as Jun. 3, 2020. (Year: 2020).\*

(Continued)

*Primary Examiner* — Clare E Heflin

(74) *Attorney, Agent, or Firm* — Brooks Kushman P.C.

(57) **CLAIM**

I claim the ornamental design for the lighting fixture, as shown and described.

**DESCRIPTION**

FIG. 1 is a perspective view of a lighting fixture showing a first embodiment of the new design. The center support,

crystal rods and associated supporting frame members have mirror image symmetry about a horizontal imaginary plane that bisects the center support. The crystal rods and associated supporting frame members have twelve-way, thirty degree overall rotational symmetry. The upper lamp bases have three-way, one-hundred-and-twenty degree overall rotational symmetry. The lower lamp bases have three-way, one-hundred-and-twenty degree overall rotational symmetry. The lower lamp bases are rotationally offset by sixty degrees in comparison to the upper lamp bases. The spokes have mirror image symmetry about a vertical imaginary plane bisecting the centerpiece. The canopy, stem, lamp bases, spokes, crystal rods, and supporting frame members each have a circular cross-section.

FIG. 2 is a top plan view of the lighting fixture of FIG. 1. FIG. 3 is a bottom plan view of the lighting fixture of FIG. 1.

FIG. 4 is a side elevation view of the lighting fixture of FIG. 1.

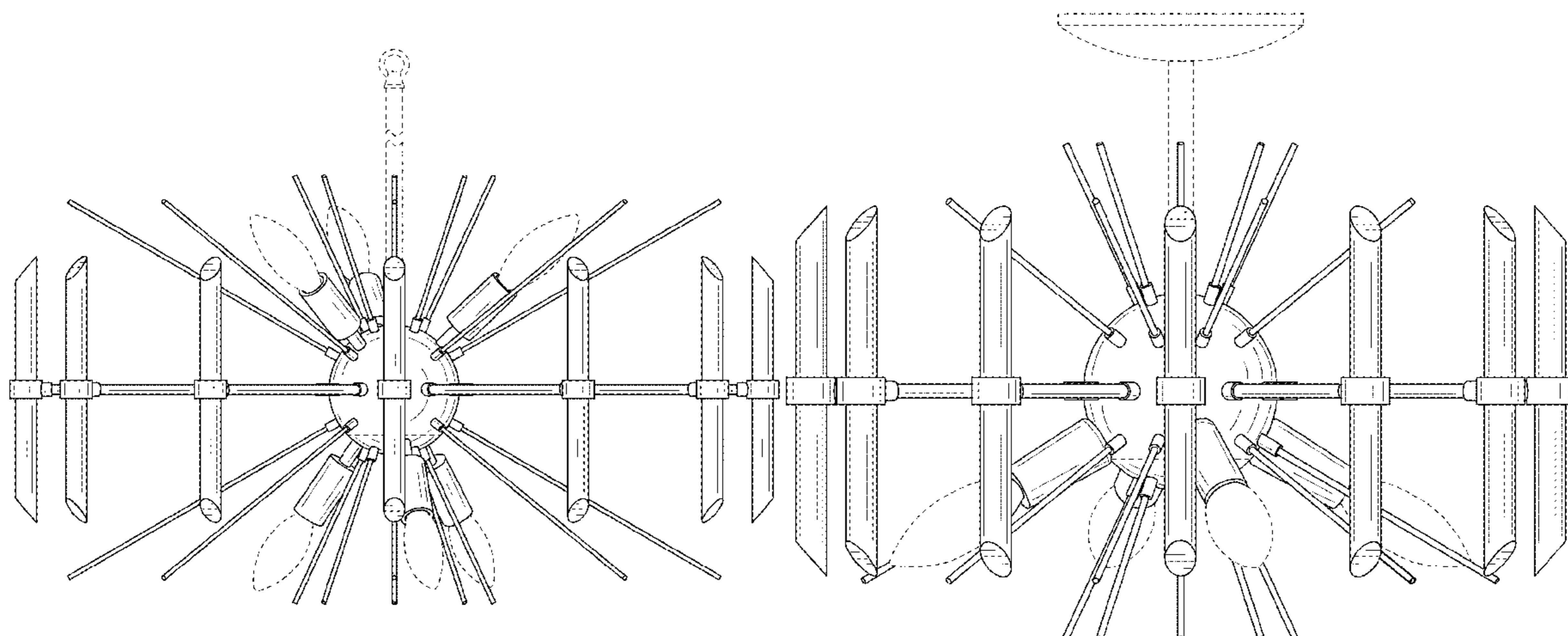
FIG. 5 is a perspective view of a lighting fixture showing a second embodiment of the new design. The center support, crystal rods and associated supporting frame members have mirror image symmetry about a horizontal imaginary plane that bisects the center support. The crystal rods and associated supporting frame members have twelve-way, thirty degree overall rotational symmetry. The lamp bases have four-way, ninety degree overall rotational symmetry. The lamp bases and spokes have mirror image symmetries about vertical and horizontal imaginary planes bisecting the centerpiece. The canopy, stem, lamp bases, spokes, crystal rods, and supporting frame members each have a circular cross-section.

FIG. 6 is a top plan view of the lighting fixture of FIG. 5. FIG. 7 is a bottom plan view of the lighting fixture of FIG. 5.

FIG. 8 is a side elevation view of the lighting fixture of FIG. 5.

FIG. 9 is a perspective view of a lighting fixture showing a third embodiment of the new design. The center support, crystal rods and associated supporting frame members have mirror image symmetry about a horizontal imaginary plane that bisects the center support. The crystal rods and associated supporting frame members have twelve-way, thirty degree overall rotational symmetry. The lower lamp bases

(Continued)



have four-way, ninety degree overall rotational symmetry. The spokes have mirror image symmetries about vertical and horizontal imaginary planes bisecting the centerpiece. The canopy, stem, lamp bases, spokes, crystal rods, and supporting frame members each have a circular cross-section. Excluding the fasteners, the canopy has three-hundred-and-sixty degree overall rotational symmetry.

FIG. 10 is a bottom plan view of the lighting fixture of FIG. 9; and,

FIG. 11 is a side elevation view of the lighting fixture of FIG. 9.

The dashed lines on the drawings depict portions of the lighting fixture that form no part of the claimed design.

**1 Claim, 11 Drawing Sheets**

(58) **Field of Classification Search**

CPC ..... F21S 8/03; F21S 8/04; F21S 8/043; F21S 8/046; F21S 8/06; F21S 8/061; F21S 8/063; F21S 8/065

See application file for complete search history.

(56)

**References Cited**

U.S. PATENT DOCUMENTS

D82,415 S *	11/1930	Bohl .....	D26/81
3,018,362 A *	1/1962	Joyce .....	F21S 8/065 362/566
D307,329 S *	4/1990	Segill .....	D26/85
D577,850 S *	9/2008	Nicholas .....	D26/88
D685,513 S *	7/2013	Salvadori .....	D26/88
D719,698 S *	12/2014	Mollaghaffari .....	D26/81
D731,105 S *	6/2015	Blackman .....	D26/88
D782,722 S *	3/2017	Kitts .....	D26/86
D807,560 S *	1/2018	Jones .....	D26/81
D820,499 S *	6/2018	Zhou .....	D26/81
D826,454 S *	8/2018	Sonneman .....	D26/81

OTHER PUBLICATIONS

Kichler 44277PN Eris Semi Flush, 4-Light 240 Total Watts, Polished Nickel available at amazon.com Jun. 13, 2018. (Year: 2018).\*

\* cited by examiner

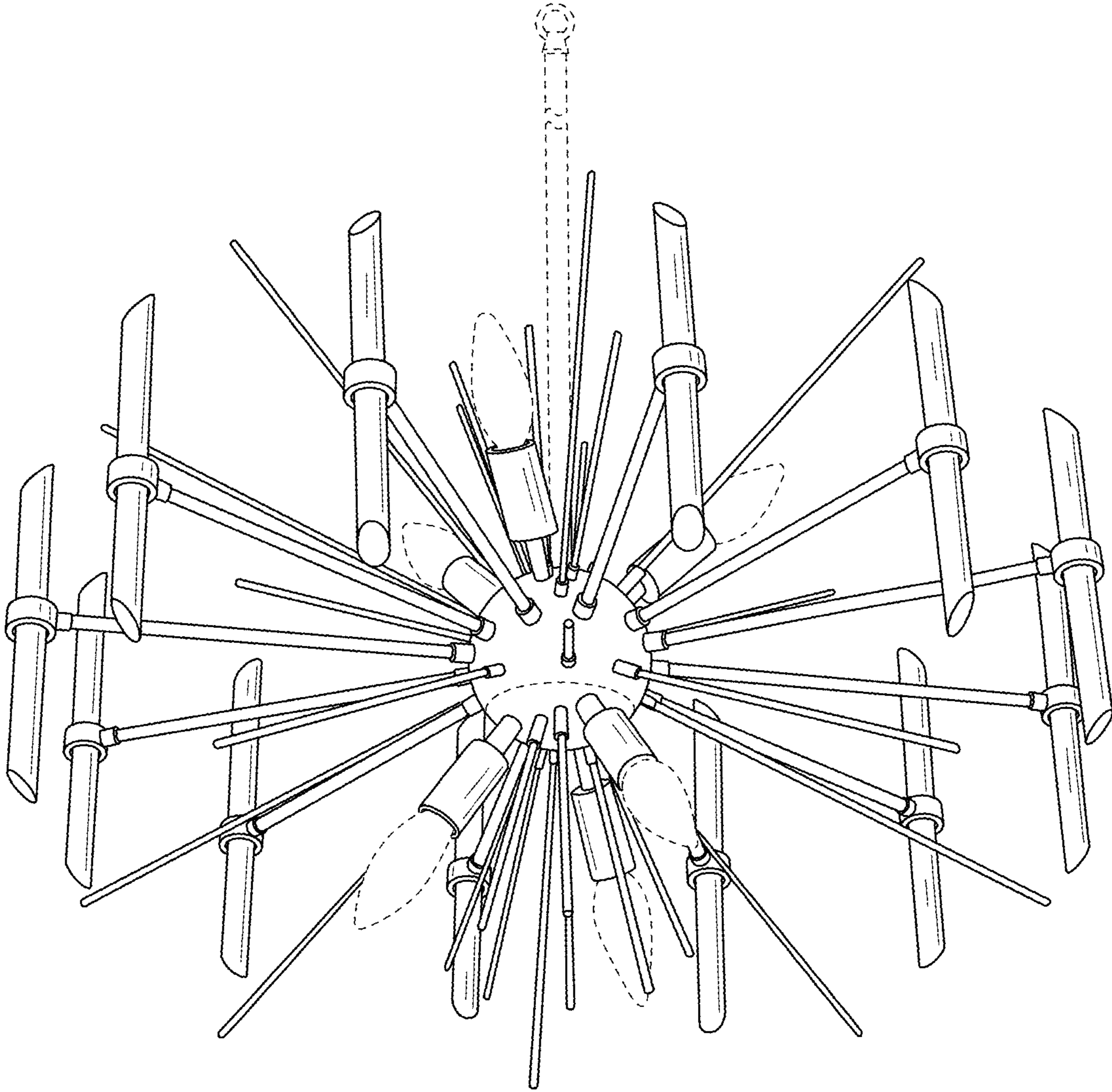


FIG. 1

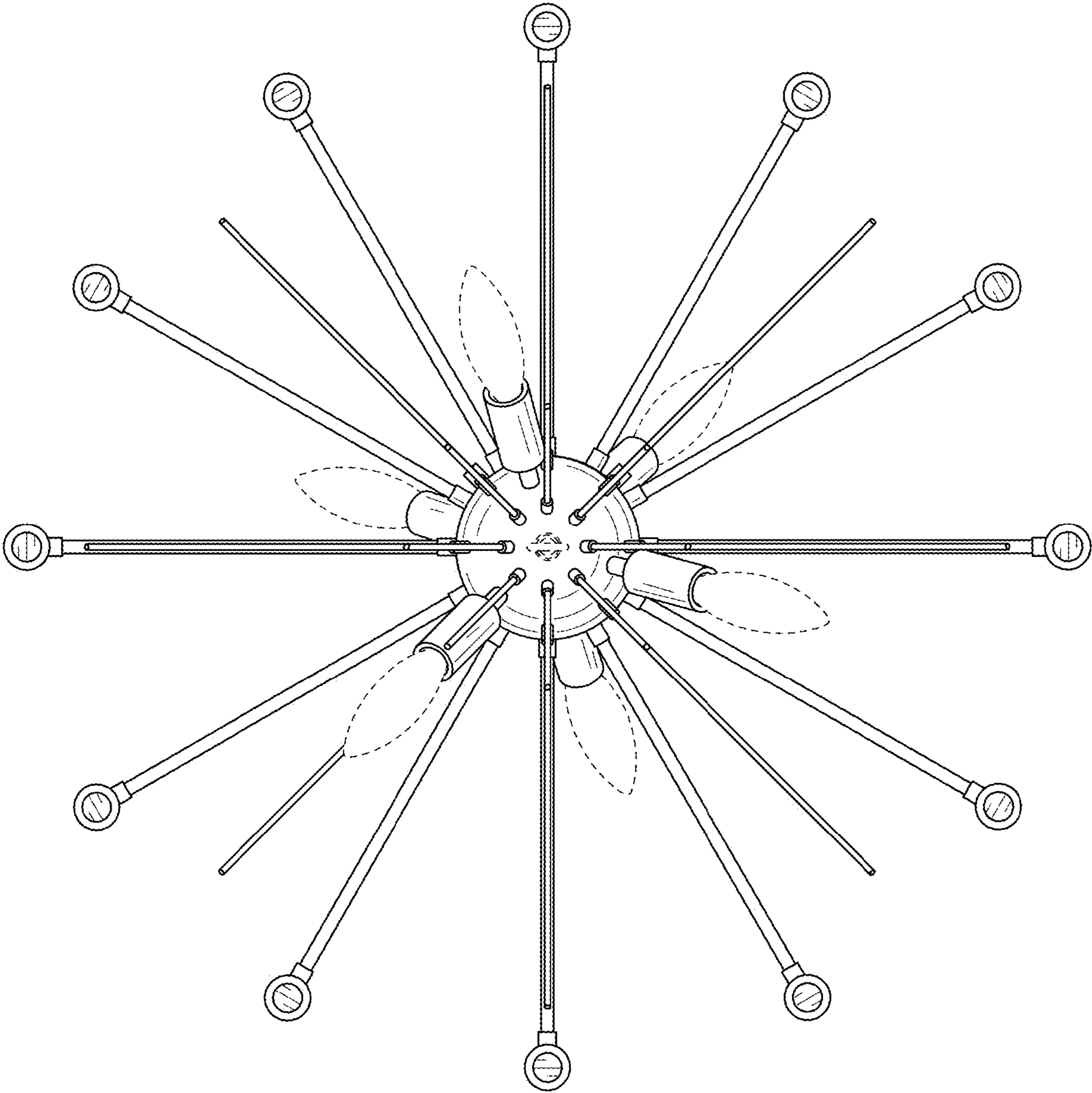


FIG. 2

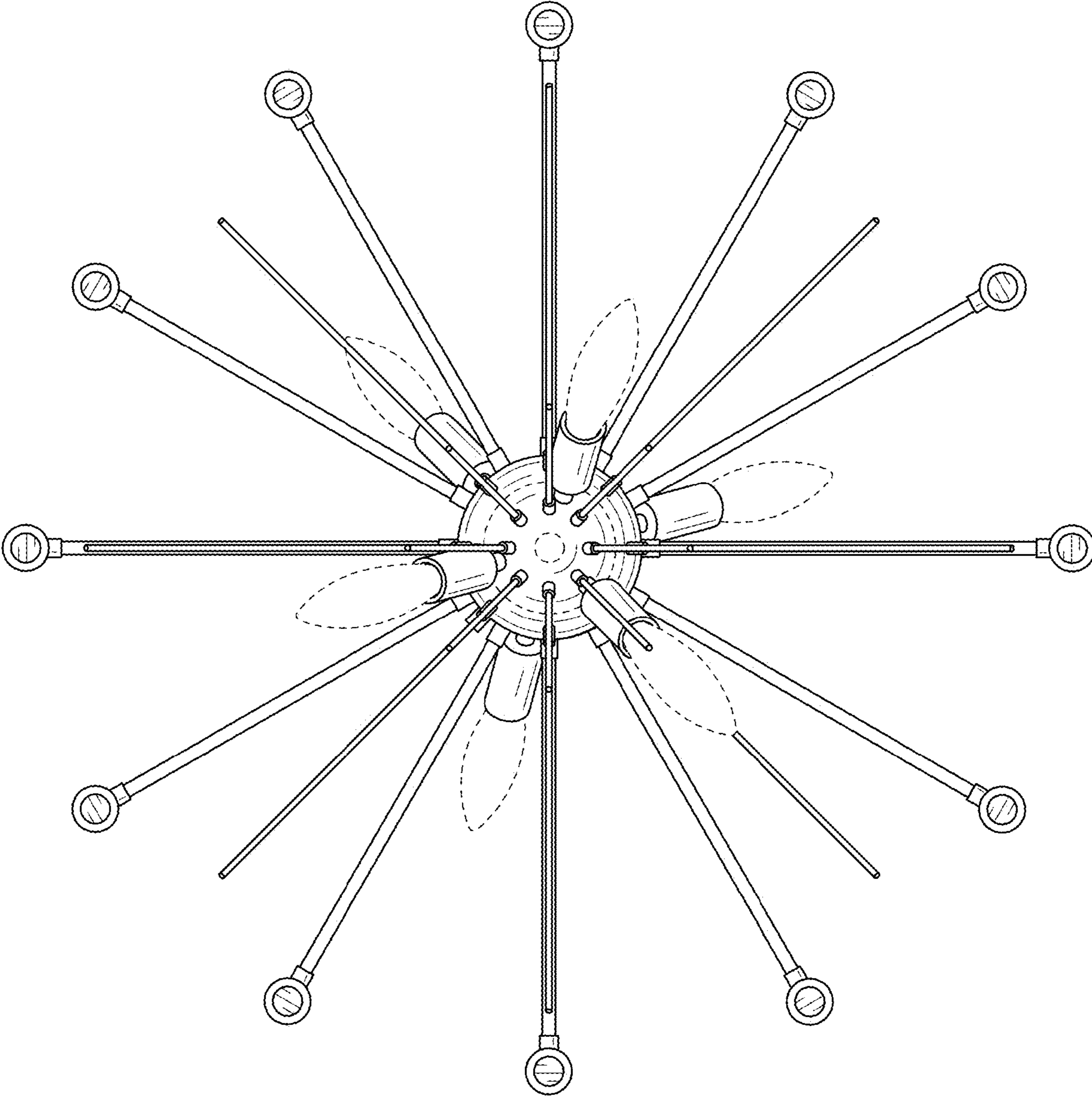


FIG. 3

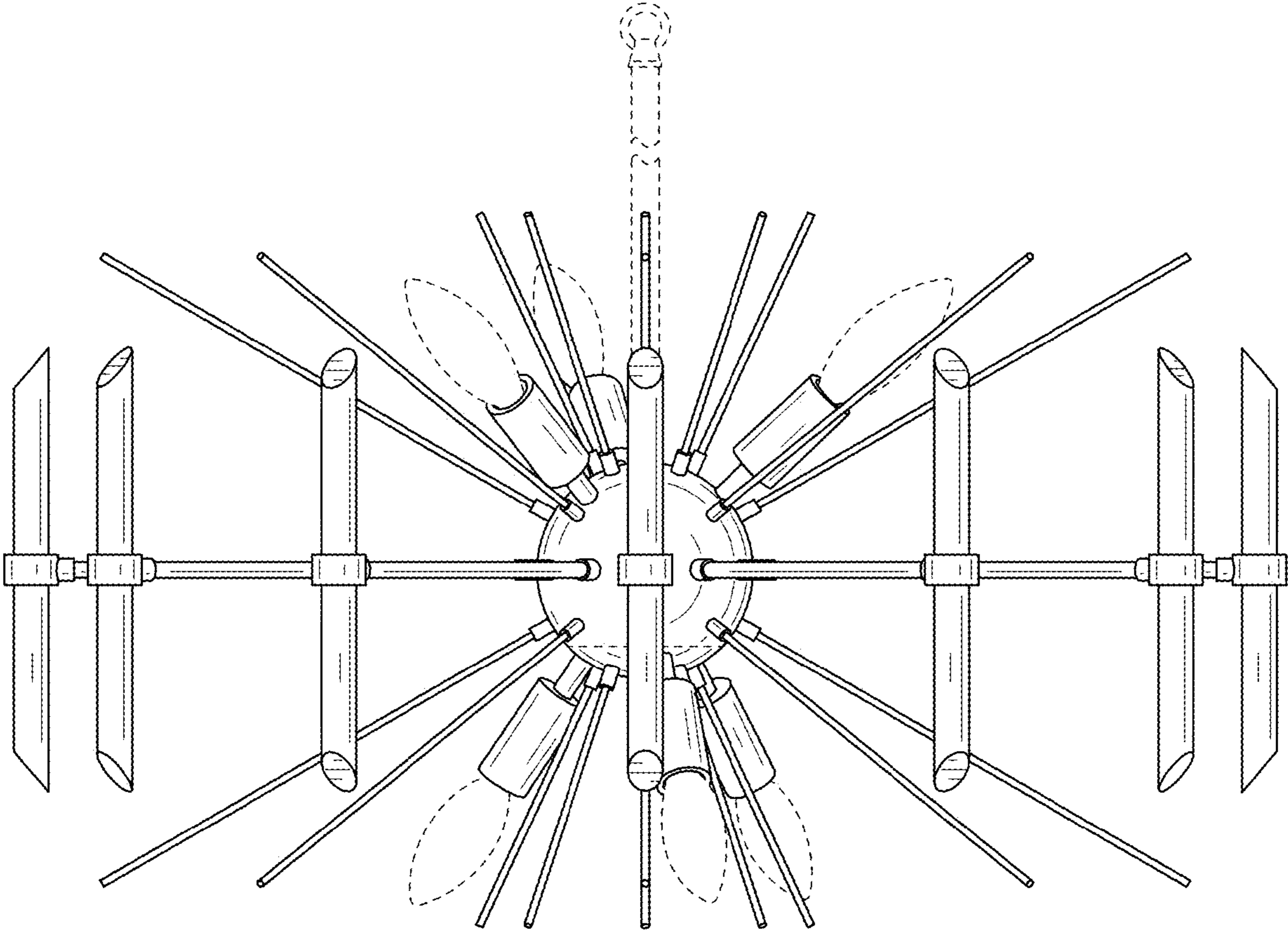


FIG. 4

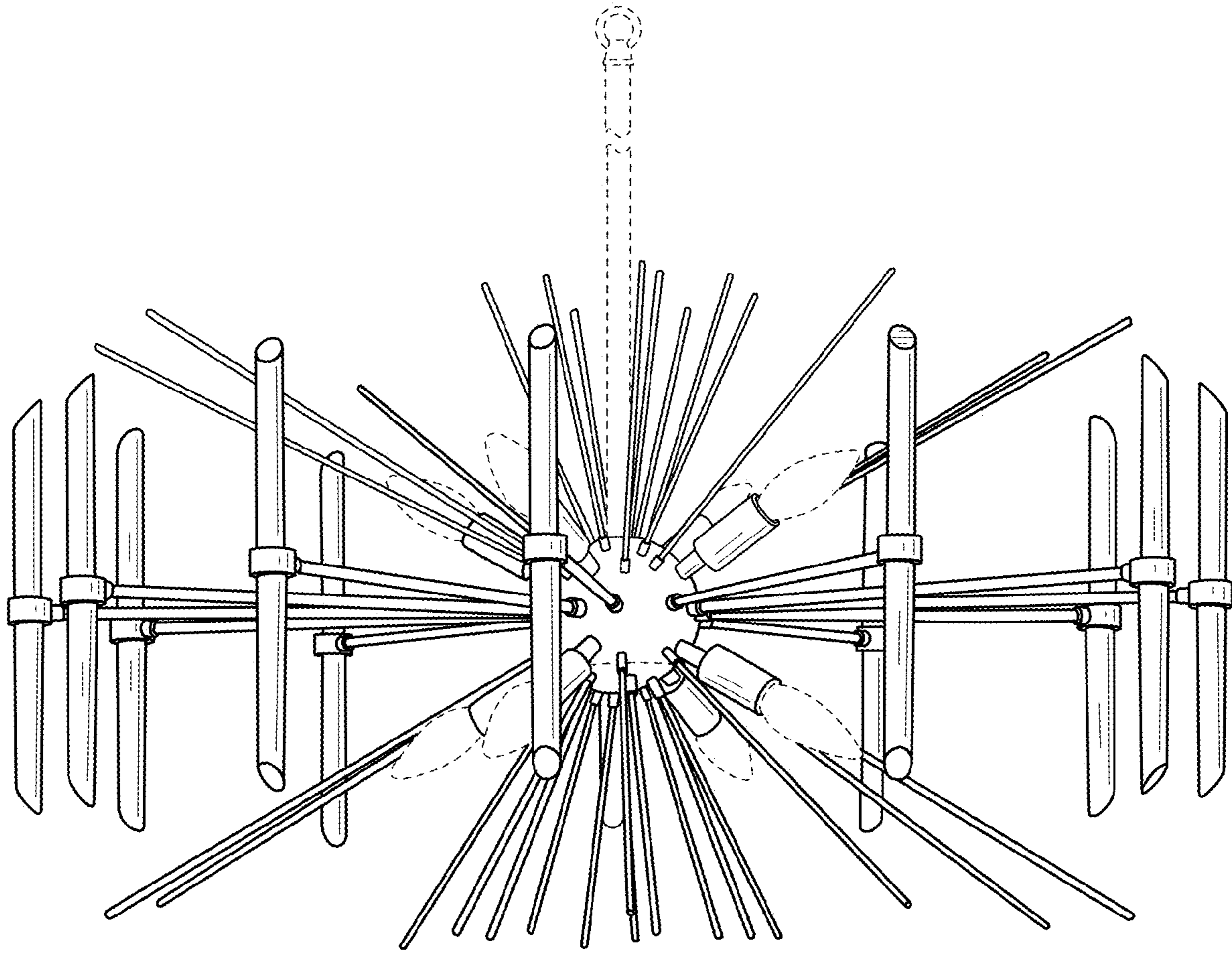


FIG. 5

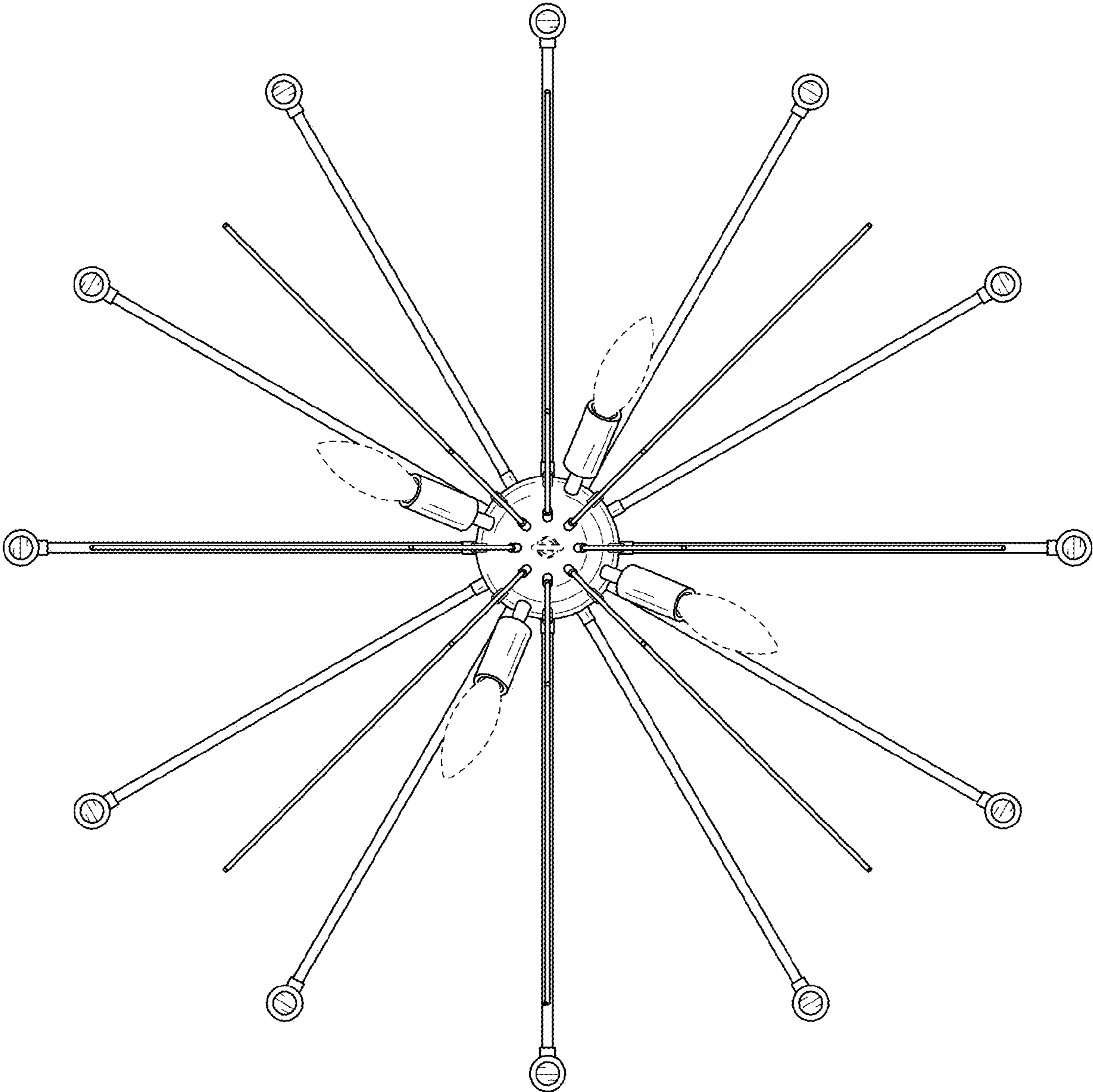


FIG. 6



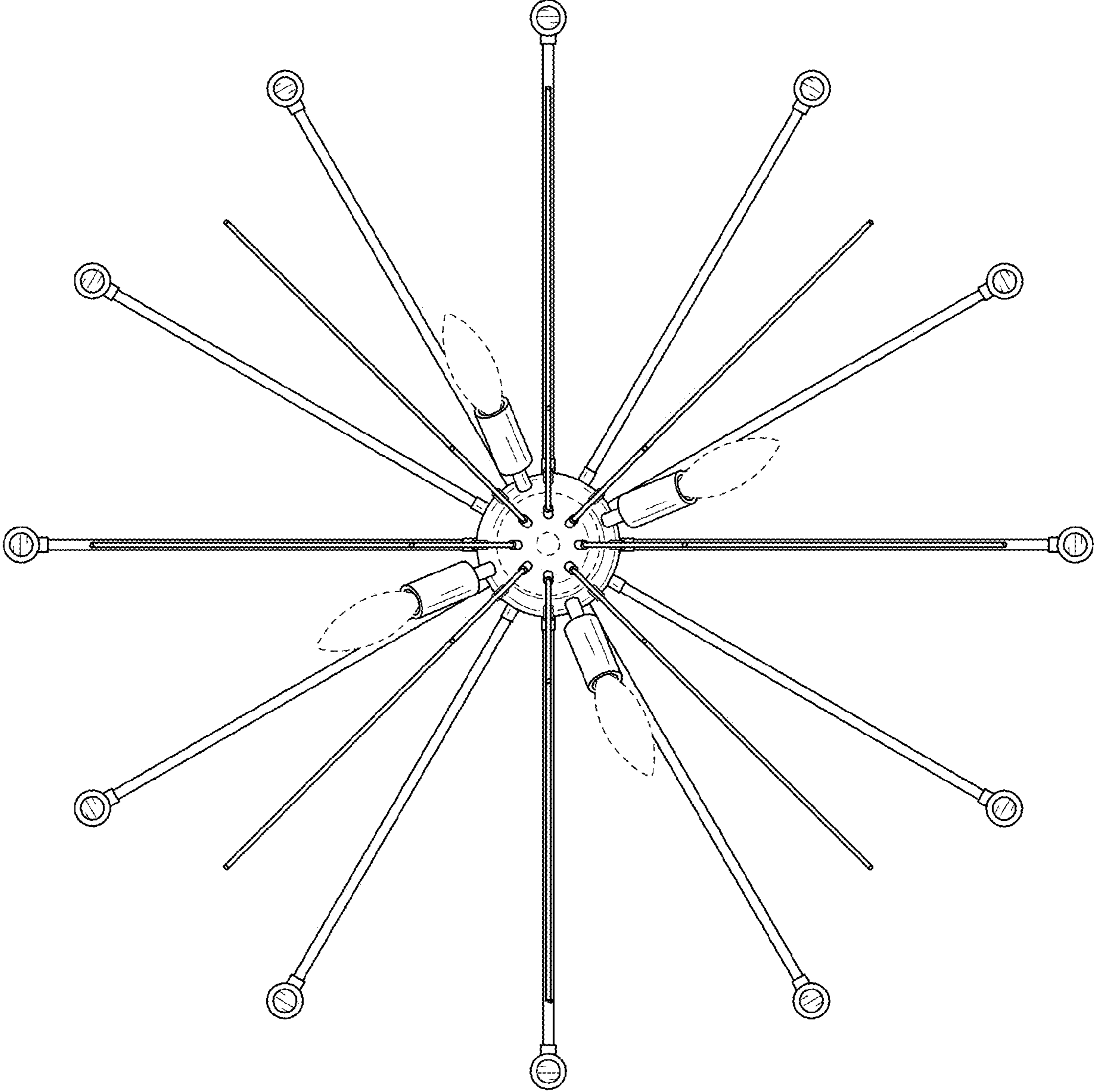


FIG. 7

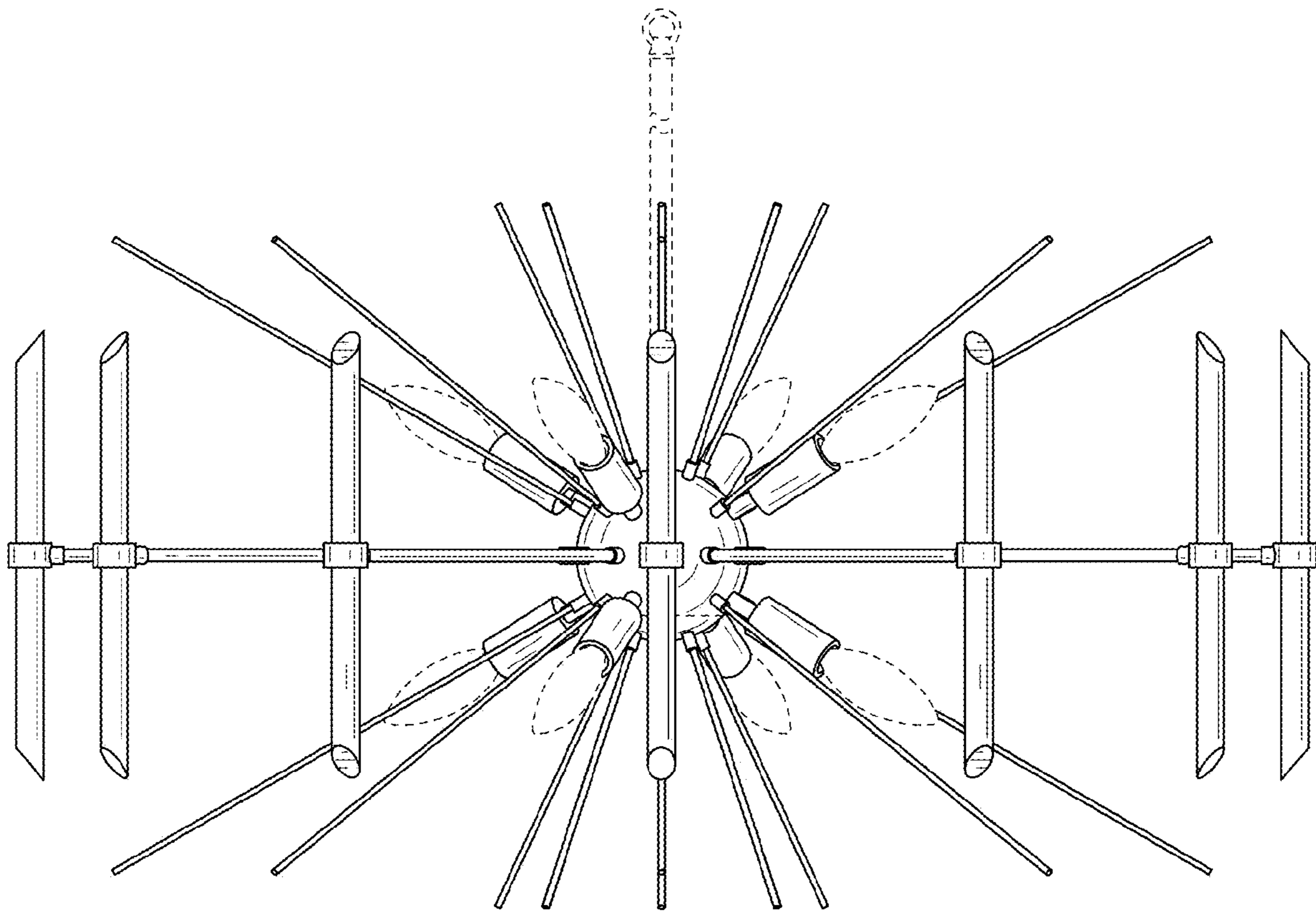


FIG. 8

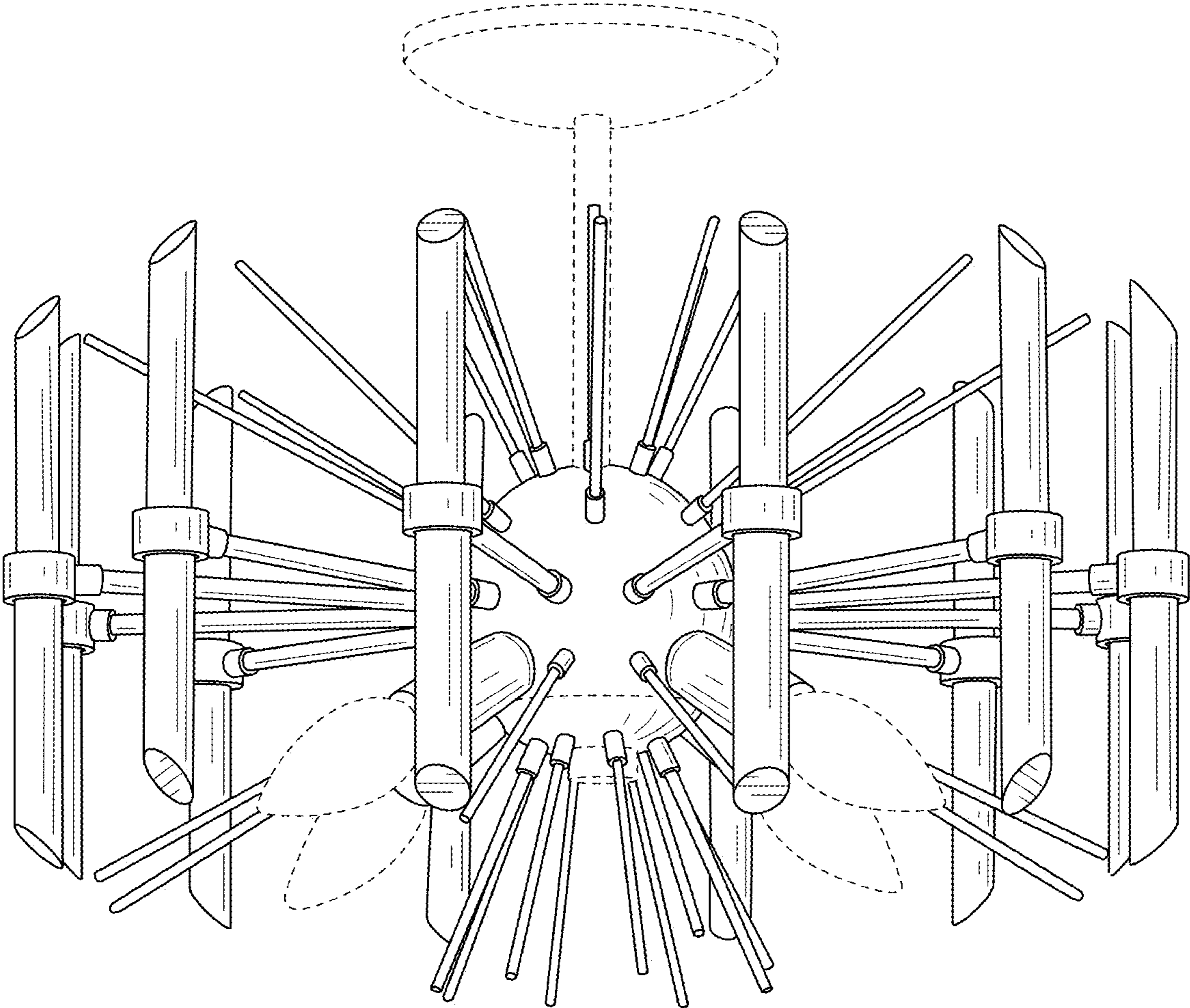


FIG. 9

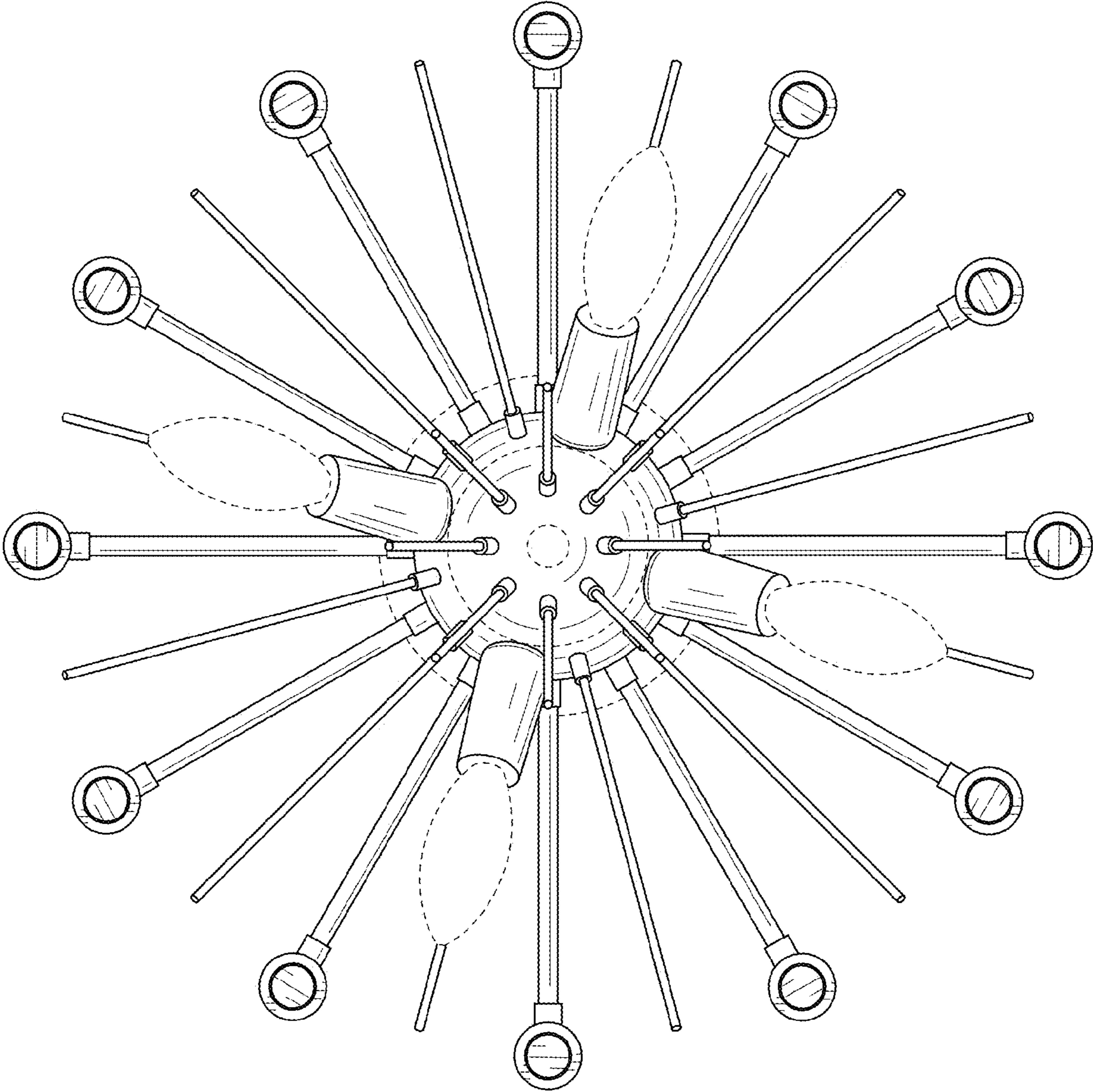


FIG. 10

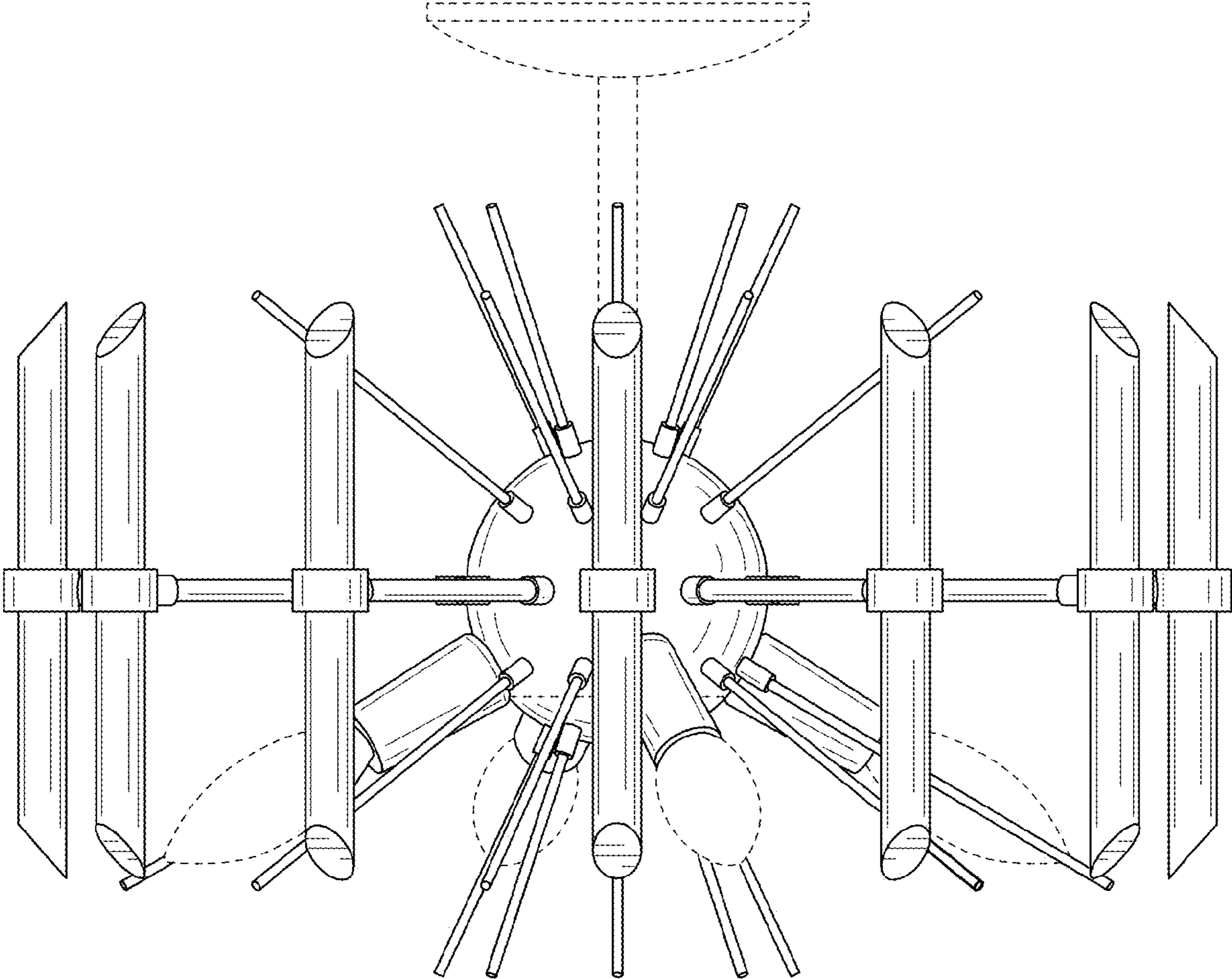


FIG. 11