



US00D904663S

(12) **United States Design Patent** (10) **Patent No.:** **US D904,663 S**  
**Wang** (45) **Date of Patent:** **\*\* Dec. 8, 2020**

(54) **SOLAR LAMP**

(71) Applicant: **Bo Wang**, Nanyang (CN)

(72) Inventor: **Bo Wang**, Nanyang (CN)

(\*\*) Term: **15 Years**

(21) Appl. No.: **29/738,697**

(22) Filed: **Jun. 18, 2020**

(51) **LOC (12) Cl.** ..... **26-05**

(52) **U.S. Cl.**

USPC ..... **D26/68**

(58) **Field of Classification Search**

USPC ..... D26/63, 67-70, 85

CPC .. F21S 8/081; F21S 8/083; F21S 8/088; F21S

9/03; F21S 9/035; F21S 9/037; F21V

21/0824; F21W 2111/02; F21W 2111/023;

F21W 2131/109; G09F 13/0404; G09F

2013/0431

See application file for complete search history.

(56) **References Cited**

U.S. PATENT DOCUMENTS

D309,789 S *	8/1990	Luce	.....	D26/68
D315,965 S *	4/1991	Frost	.....	D26/67
D391,384 S *	2/1998	Lerch	.....	D26/67
D422,735 S *	4/2000	Lam	.....	D26/68
D468,471 S *	1/2003	Chen	.....	D26/67
D615,684 S *	5/2010	Chen	.....	D26/68
D628,731 S *	12/2010	Chen	.....	D26/68
D676,995 S *	2/2013	Ho	.....	D26/67
D816,878 S *	5/2018	Vos	.....	D26/67
D822,867 S *	7/2018	Chen	.....	D26/67
D841,213 S	2/2019	Zhuo		
D880,746 S *	4/2020	Zhang	.....	D26/67
D884,246 S	5/2020	Tang et al.		

OTHER PUBLICATIONS

Solar Black LED 15 Lumens Modern Bollard Path Light Set with Vintage Bulb by Hampton Bay at homedepot.com as early as May 3, 2020. (Year: 2020).\*

Silver Outdoor Integrated LED Solar Pathway Lights by Pure Garden at homedepot.com as early as Feb. 21, 2019. (Year: 2019).\*

Solar Powered Stainless Steel Path LED Lights by Pure Garden at homedepot.com as early as Nov. 4, 2016. (Year: 2016).\*

\* cited by examiner

*Primary Examiner* — Clare E Heflin

(57) **CLAIM**

The ornamental design for a solar lamp, as shown and described.

**DESCRIPTION**

FIG. 1 is a perspective view of a solar lamp showing my new design;

FIG. 2 is another perspective view thereof;

FIG. 3 is a front elevational view thereof;

FIG. 4 is a rear elevational view thereof;

FIG. 5 is a left side elevational view thereof;

FIG. 6 is a right side elevational view thereof;

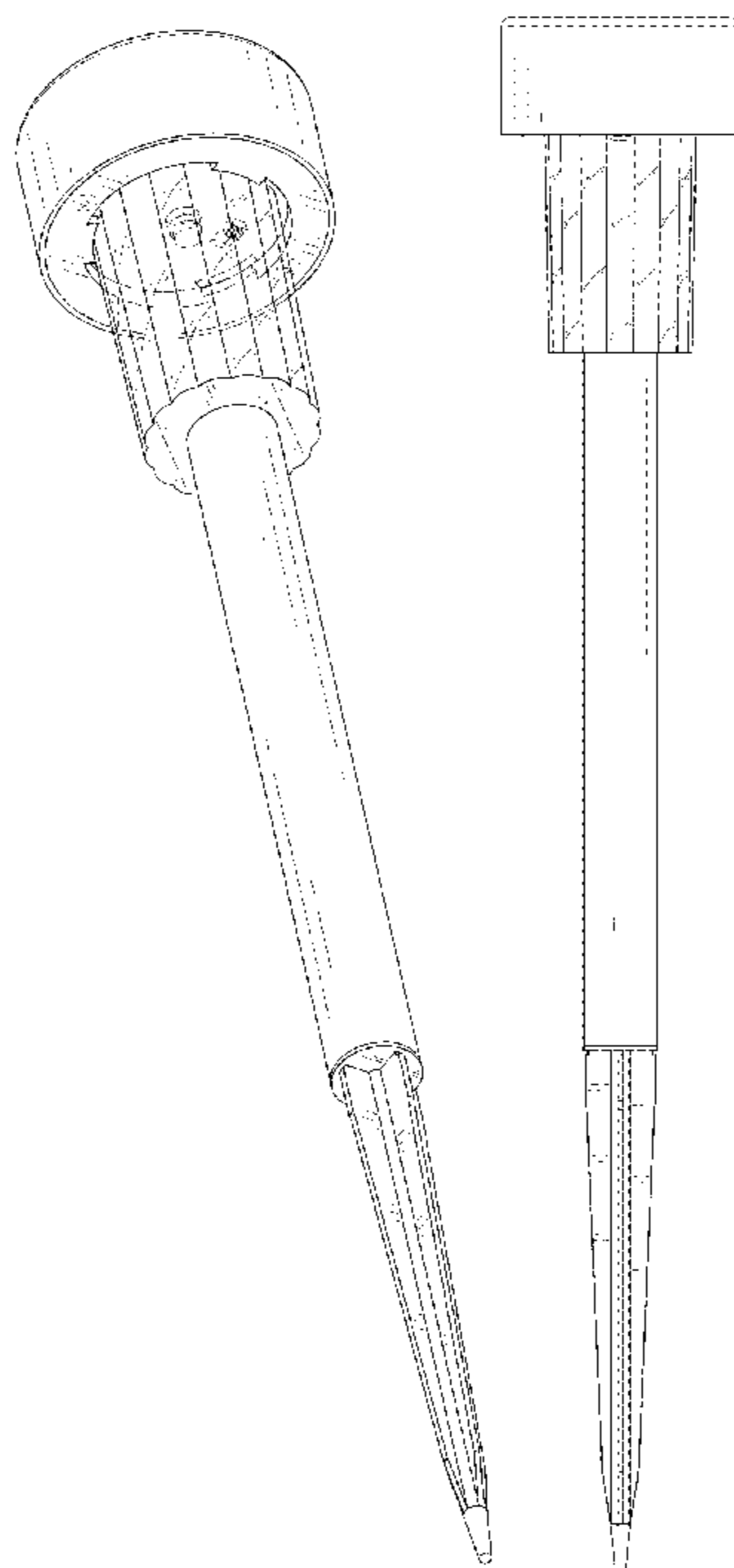
FIG. 7 is a top plan view thereof;

FIG. 8 is a bottom plan view thereof; and,

FIG. 9 is a perspective view of another embodiment of the solar lamp showing my new design with the ground stake removed.

The broken lines in the drawings depict portions of the solar lamp that form no part of the claimed design.

**1 Claim, 9 Drawing Sheets**



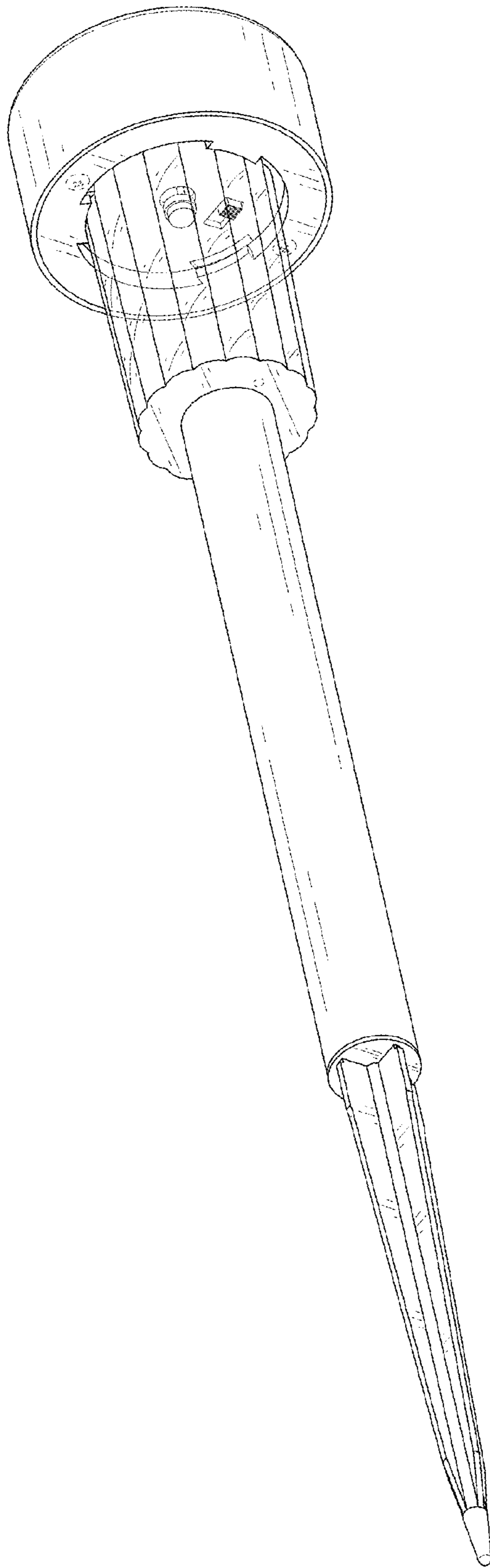


FIG. 1

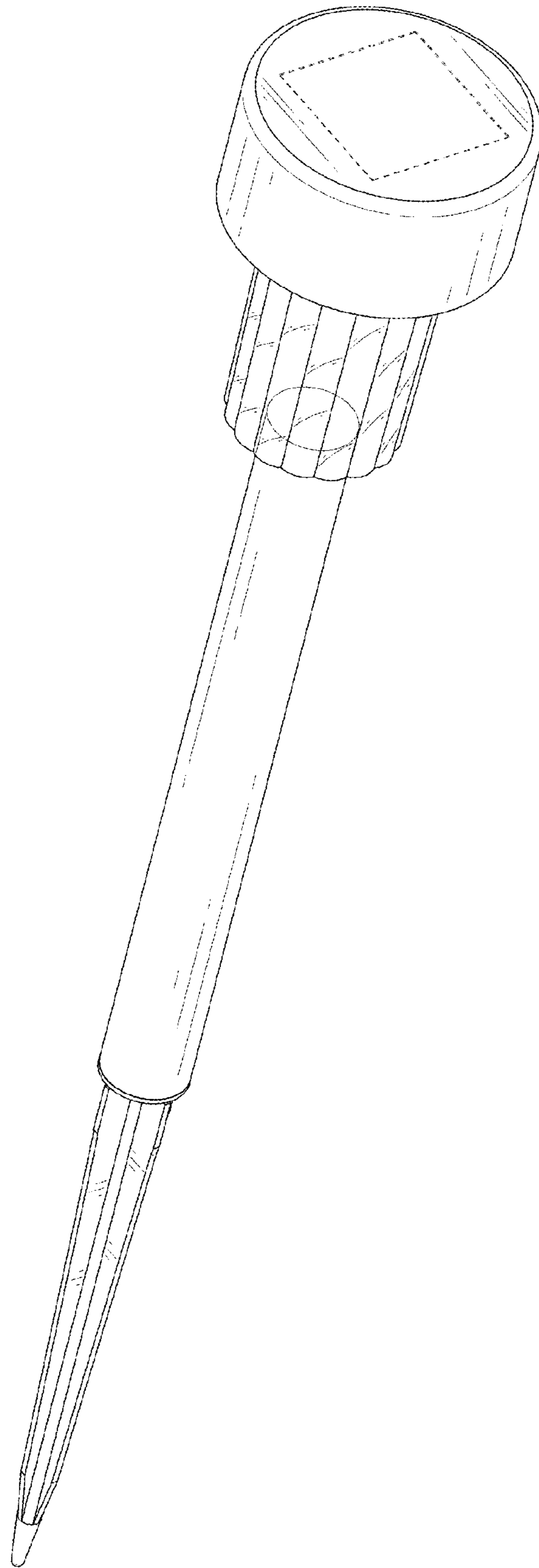


FIG. 2

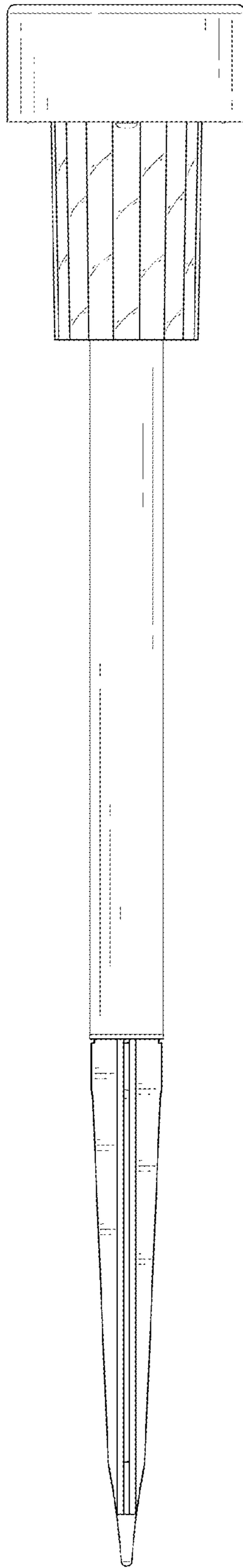


FIG. 3

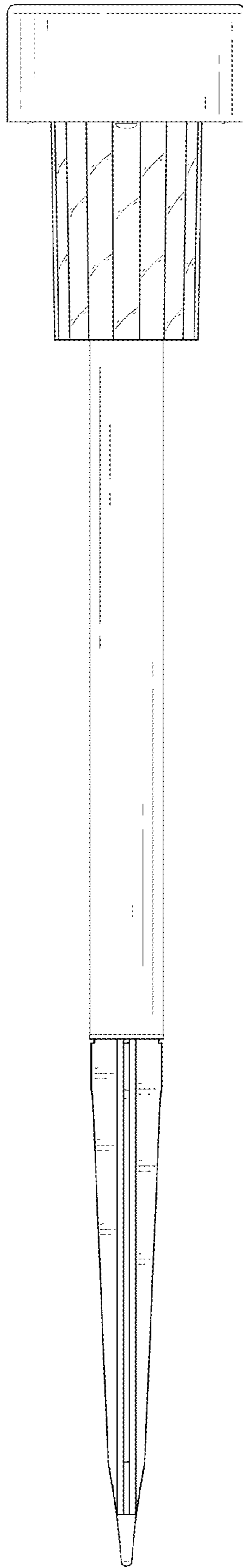


FIG. 4

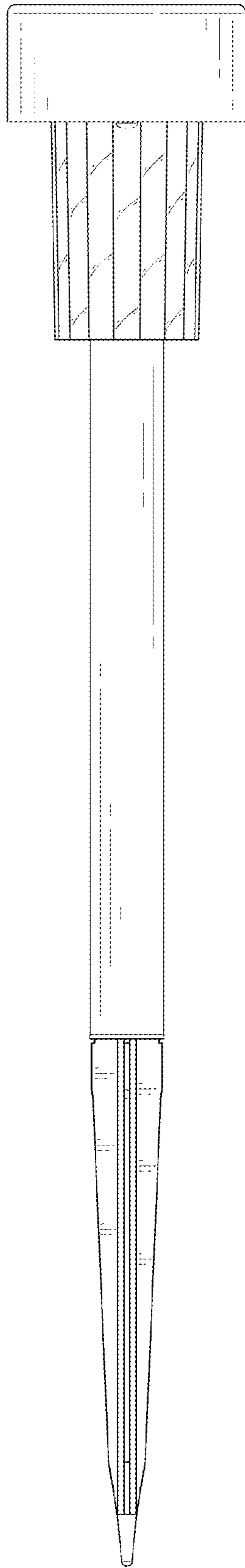


FIG. 5

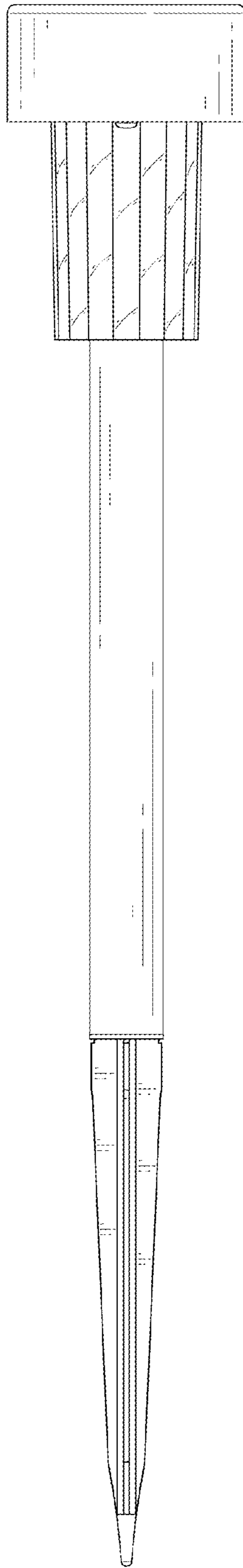


FIG. 6

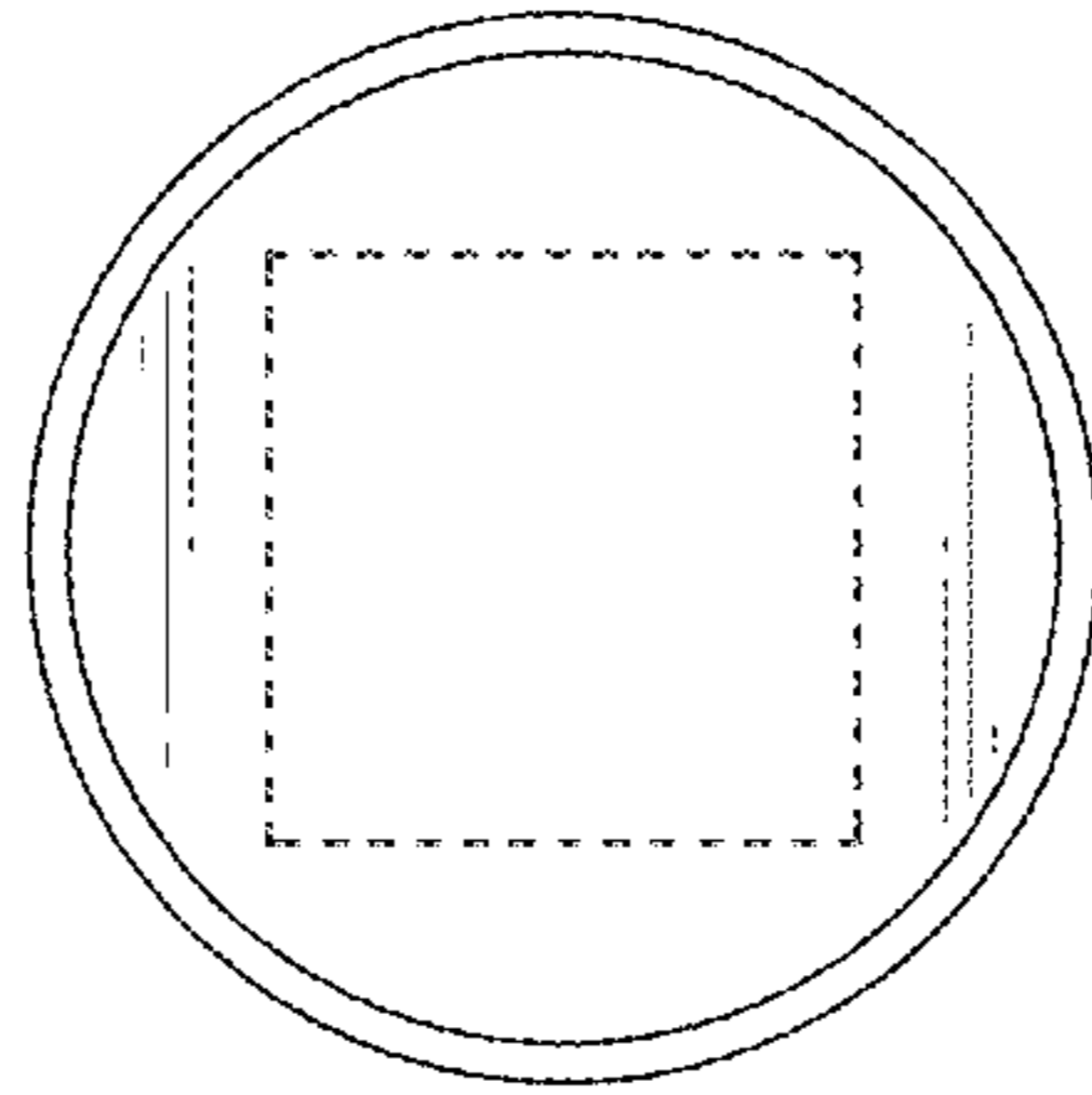


FIG. 7



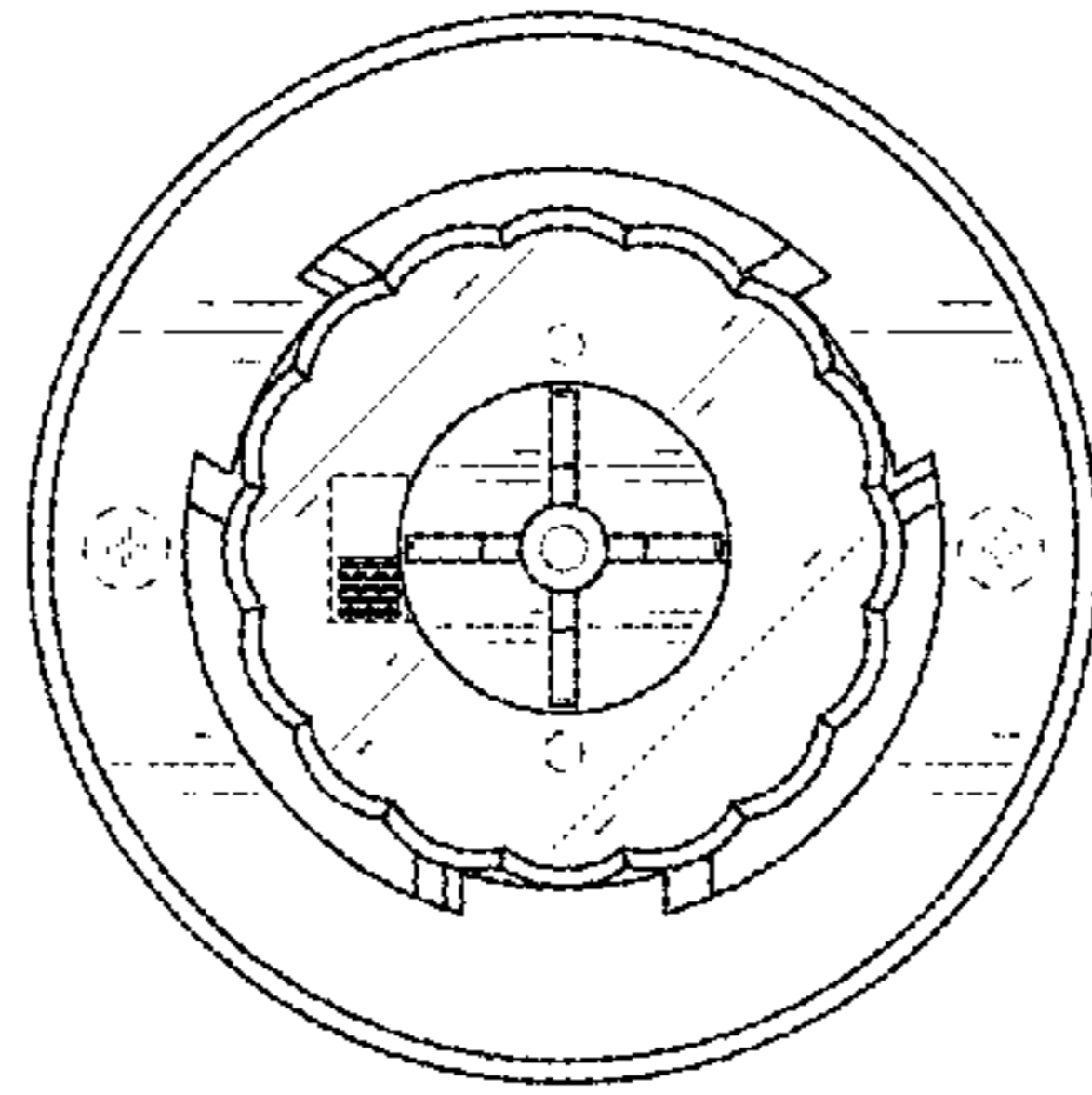


FIG. 8

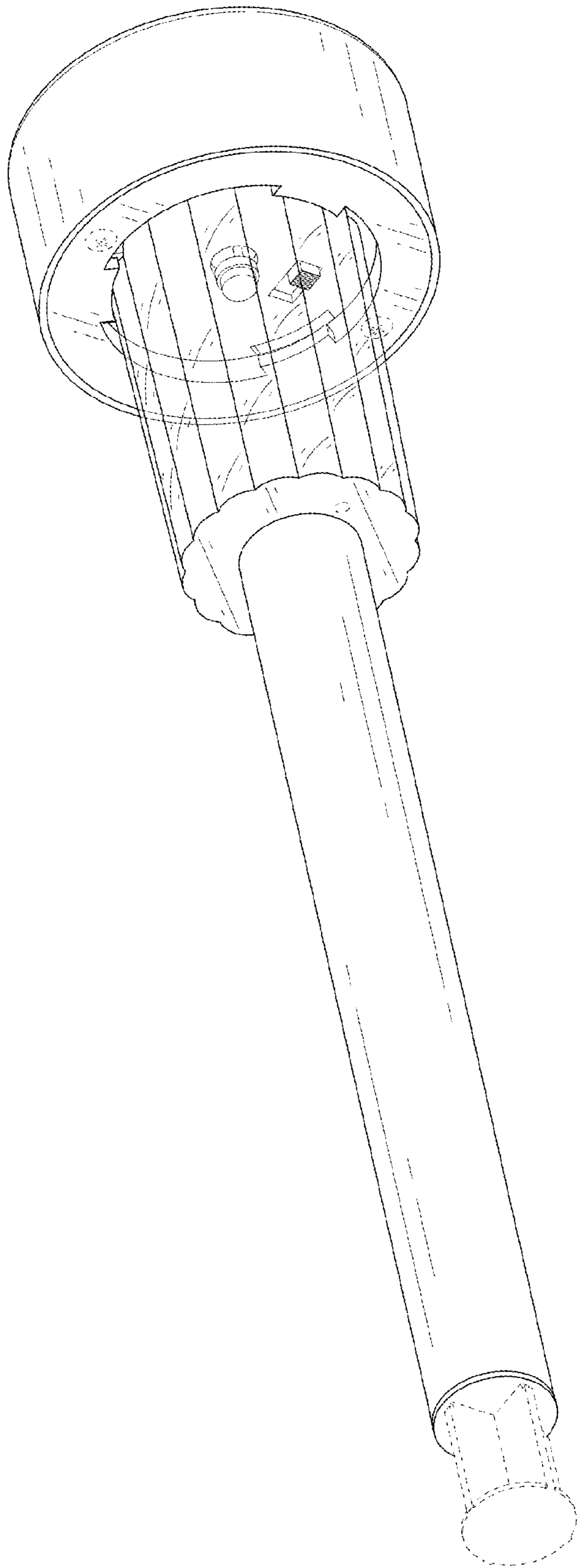


FIG. 9