



US00D904661S

(12) **United States Design Patent** (10) **Patent No.:** **US D904,661 S**
Toft (45) **Date of Patent:** **** Dec. 8, 2020**

(54) **LIGHTING DEVICE**
(71) Applicant: **Harman Professional Denmark ApS,**
Aarhus N (DK)
(72) Inventor: **Uffe Kjaergaard Toft,** Højbjerg (DK)
(73) Assignee: **Harman Professional Denmark ApS,**
Aarhus N (DK)
(**) Term: **15 Years**
(21) Appl. No.: **29/675,985**
(22) Filed: **Jan. 7, 2019**
(51) **LOC (12) Cl.** **26-03**
(52) **U.S. Cl.**
USPC **D26/63**
(58) **Field of Classification Search**
USPC D26/1, 24, 63, 65, 6, 93-94, 104-107
CPC F21V 21/14; F21V 15/01; F21V 14/02;
F21V 21/30; F21V 21/00; F21V 14/00;
F21S 8/00; F21S 8/003; F21S 8/043;
F21Y 2105/001
See application file for complete search history.

D664,707 S 7/2012 Toft
D664,708 S 7/2012 Toft
D667,582 S 9/2012 Toft
D672,915 S 12/2012 Toft
D694,462 S 11/2013 Kjaergaard
D694,466 S 11/2013 Kjaergaard
D694,467 S 11/2013 Kjaergaard
D694,926 S 12/2013 Toft
D694,927 S 12/2013 Toft
D712,085 S 8/2014 Kjaergaard Toft
D712,087 S 8/2014 Kjaergaard Toft
D738,555 S 9/2015 Kjaergaard
D742,060 S 10/2015 Kjaergaard Toft
D744,156 S 11/2015 Kjaergaard Toft
D751,750 S 3/2016 Kjaergaard Toft

* cited by examiner

Primary Examiner — Brian N. Vinson
(74) *Attorney, Agent, or Firm* — Plumsea Law Group,
LLC

(57) **CLAIM**

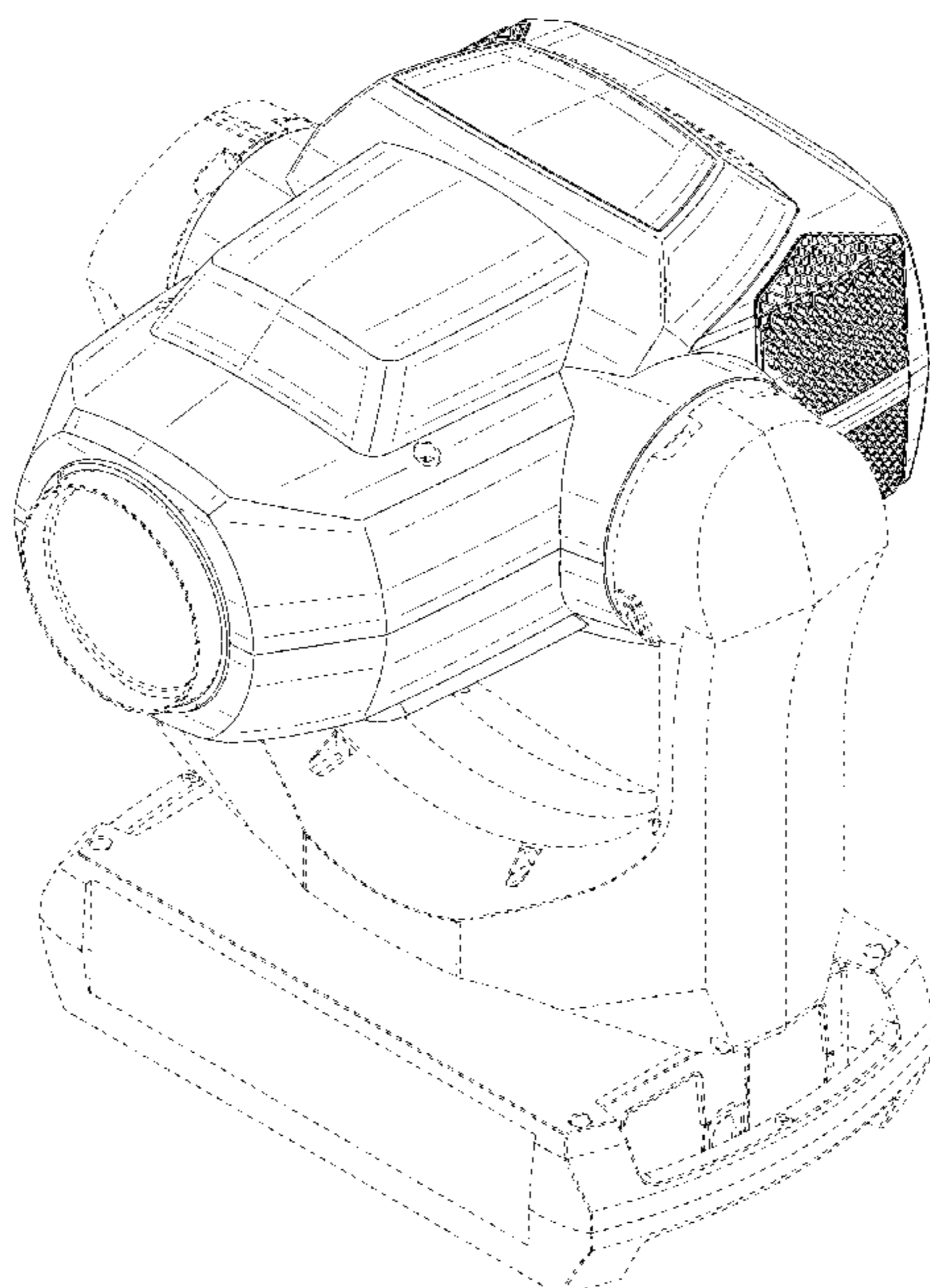
The ornamental design for a lighting device, as shown and described.

DESCRIPTION

FIG. 1 is a front perspective view of a lighting device showing the new design;
FIG. 2 is a rear perspective thereof;
FIG. 3 is a front elevational view thereof;
FIG. 4 is a rear elevational view thereof;
FIG. 5 is a side elevational view thereof;
FIG. 6 is an opposite side elevational view thereof;
FIG. 7 is a top view thereof; and,
FIG. 8 is a bottom view thereof.
The broken lines and unshaded areas in the figures illustrate portions of the design that form no part of the claimed design.

(56) **References Cited**
U.S. PATENT DOCUMENTS
D251,148 S * 2/1979 Young D16/239
D257,743 S * 12/1980 Tedesco D26/104
D397,234 S * 8/1998 Huang D26/63
D439,356 S * 3/2001 Martinson D26/63
D457,673 S * 5/2002 Martinson D26/63
D612,532 S 3/2010 Toft
D614,344 S 4/2010 Toft
D618,377 S * 6/2010 Toft D26/63
D620,187 S * 7/2010 Quadri D26/113
D638,573 S 5/2011 Toft
D664,285 S 7/2012 Toft

1 Claim, 8 Drawing Sheets



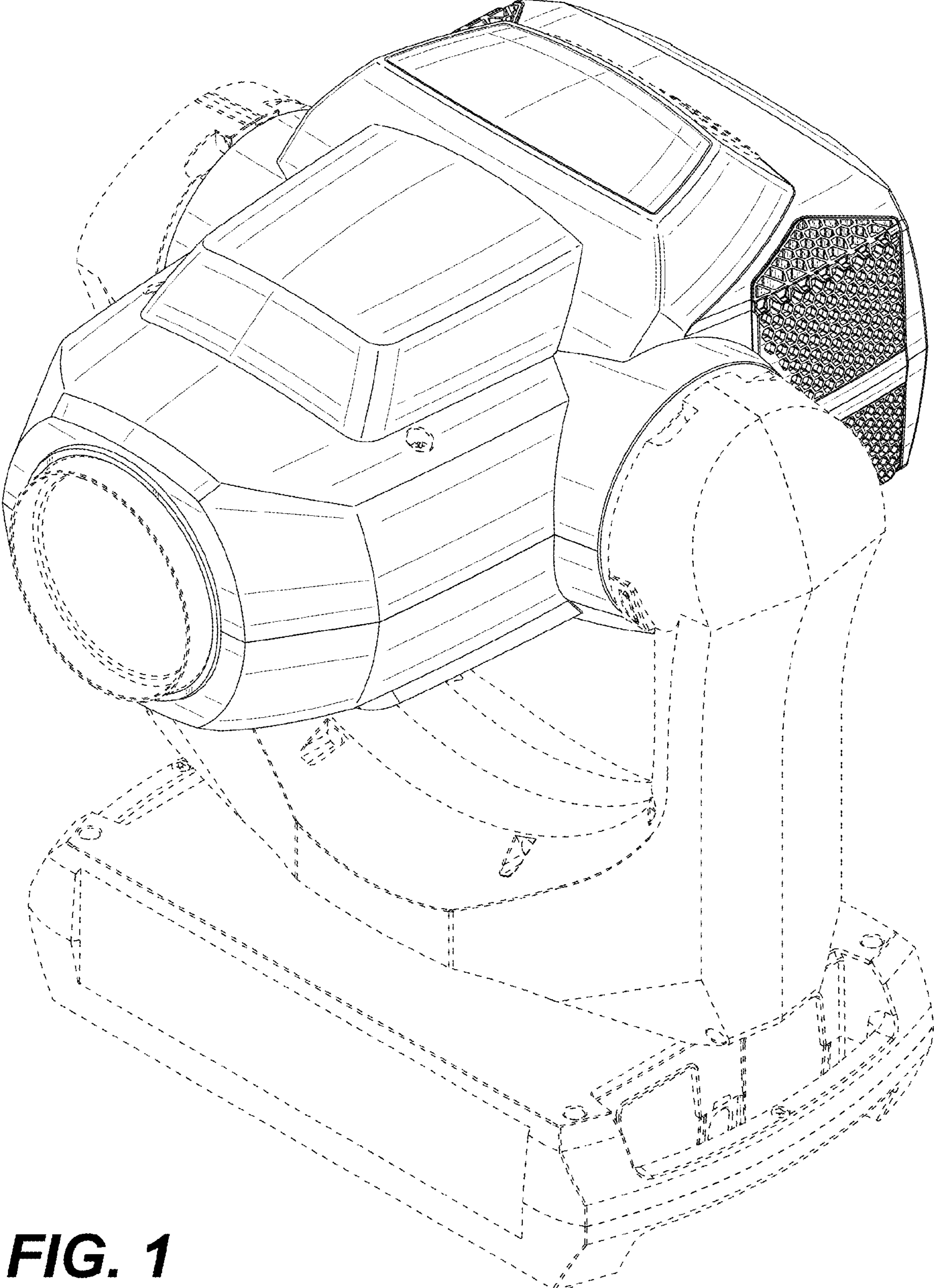


FIG. 1

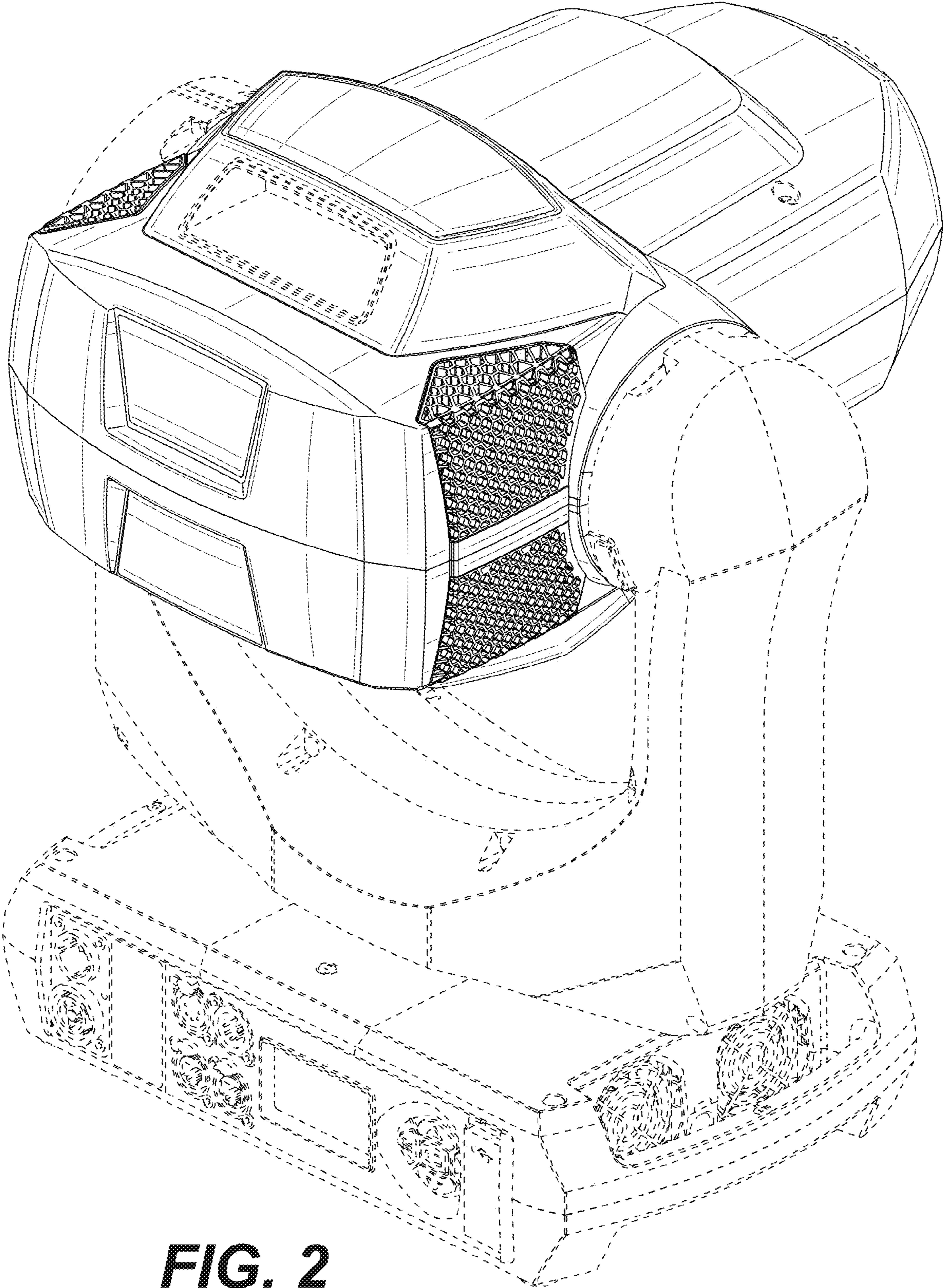


FIG. 2

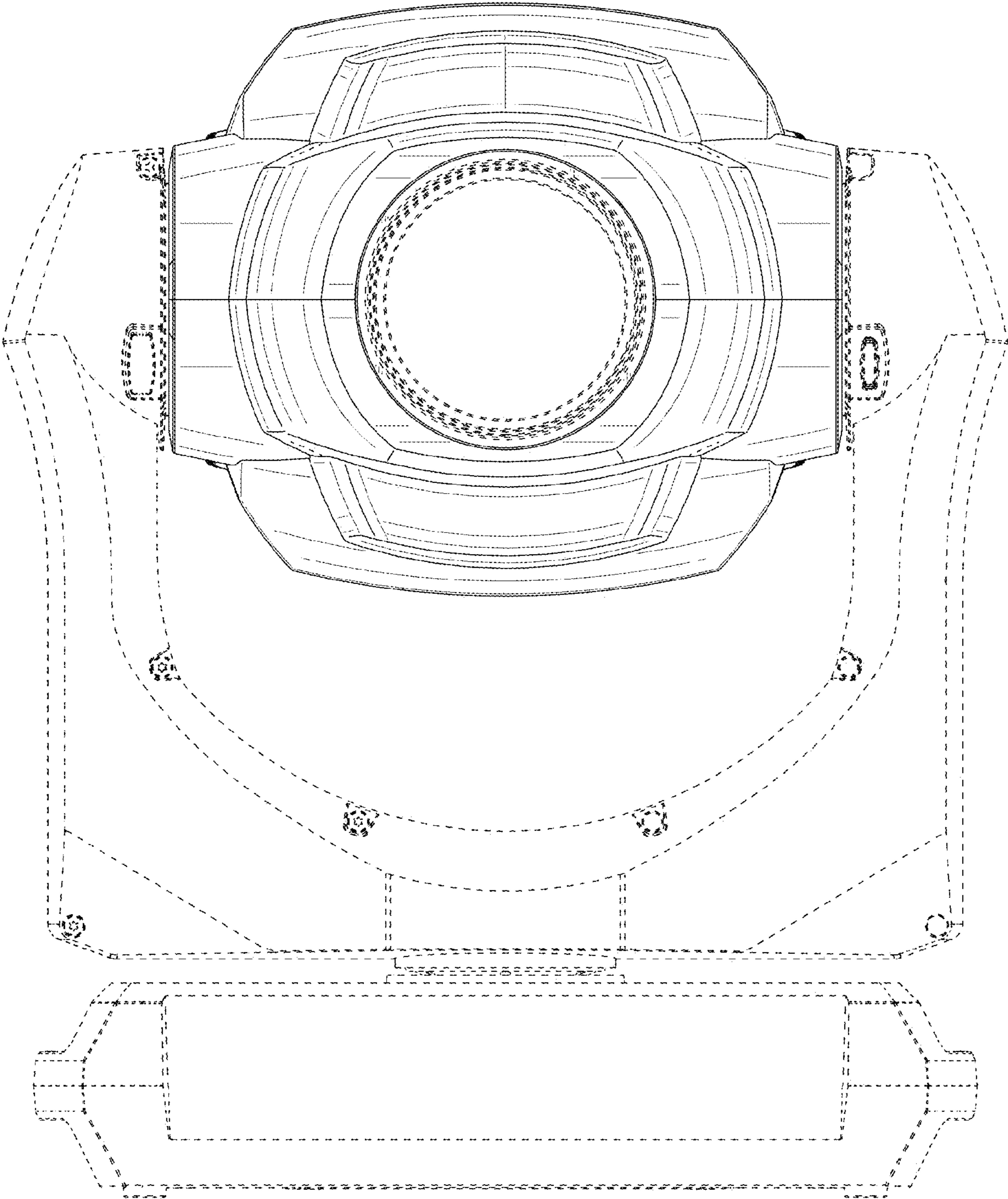


FIG. 3

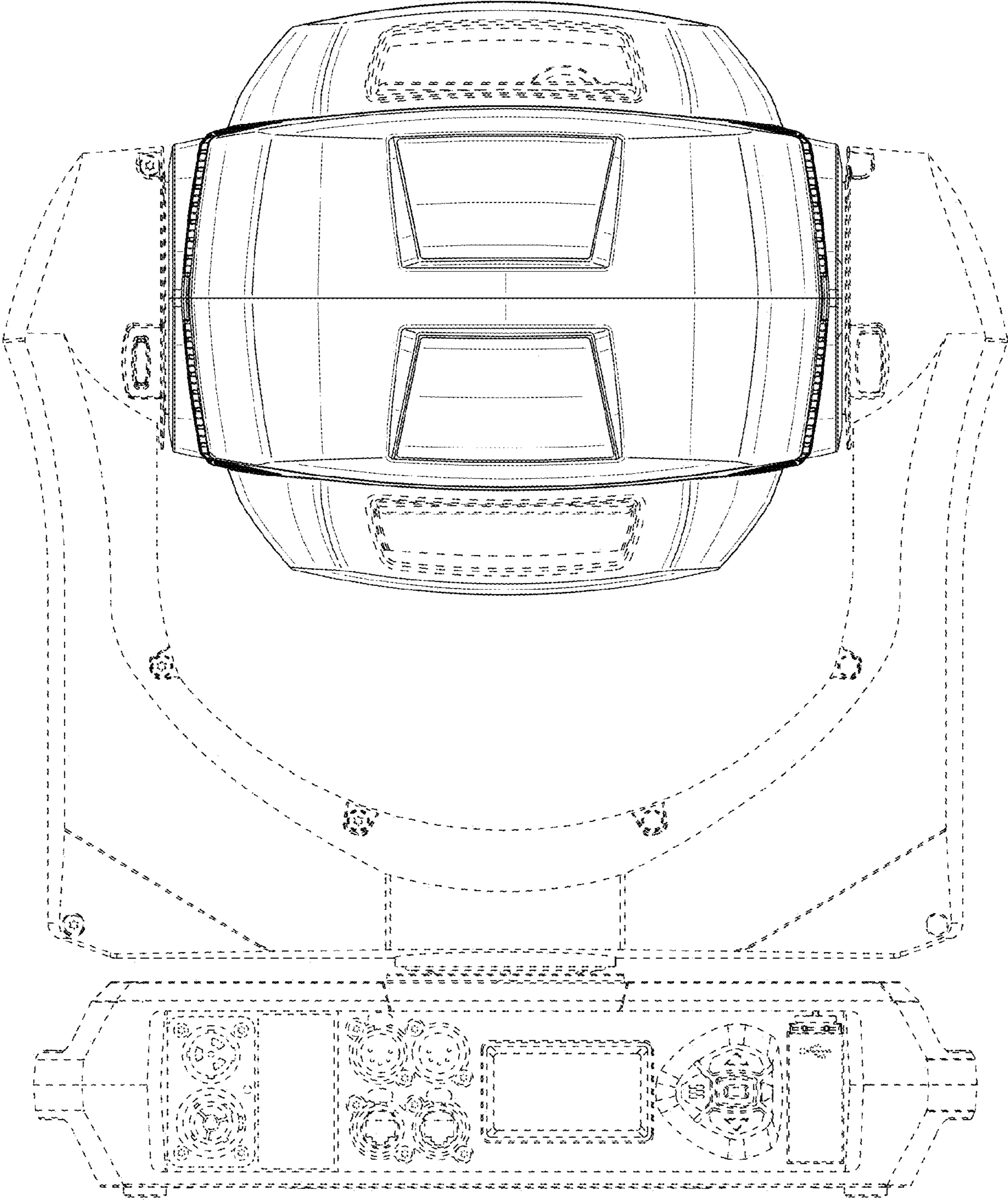


FIG. 4

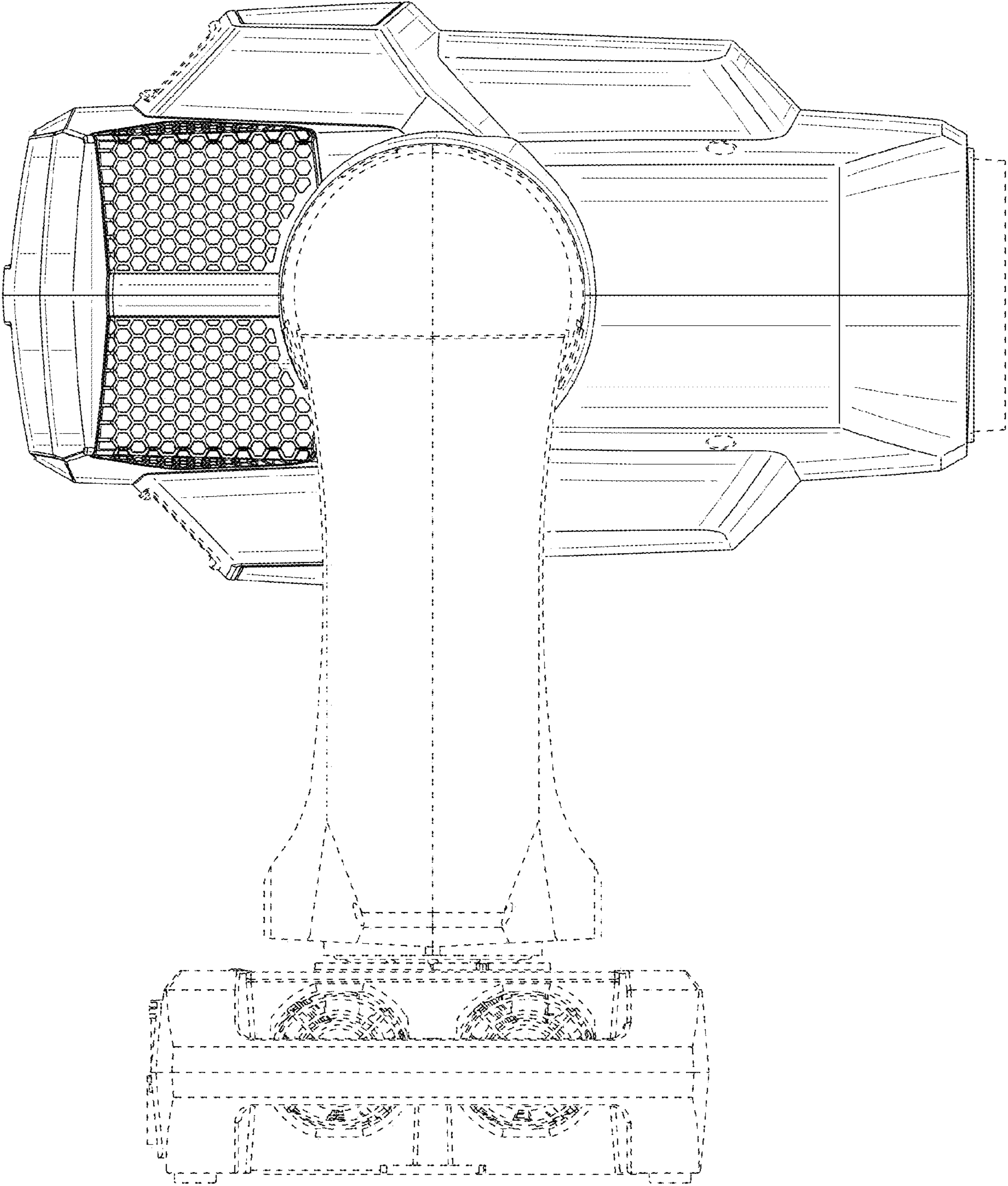


FIG. 5

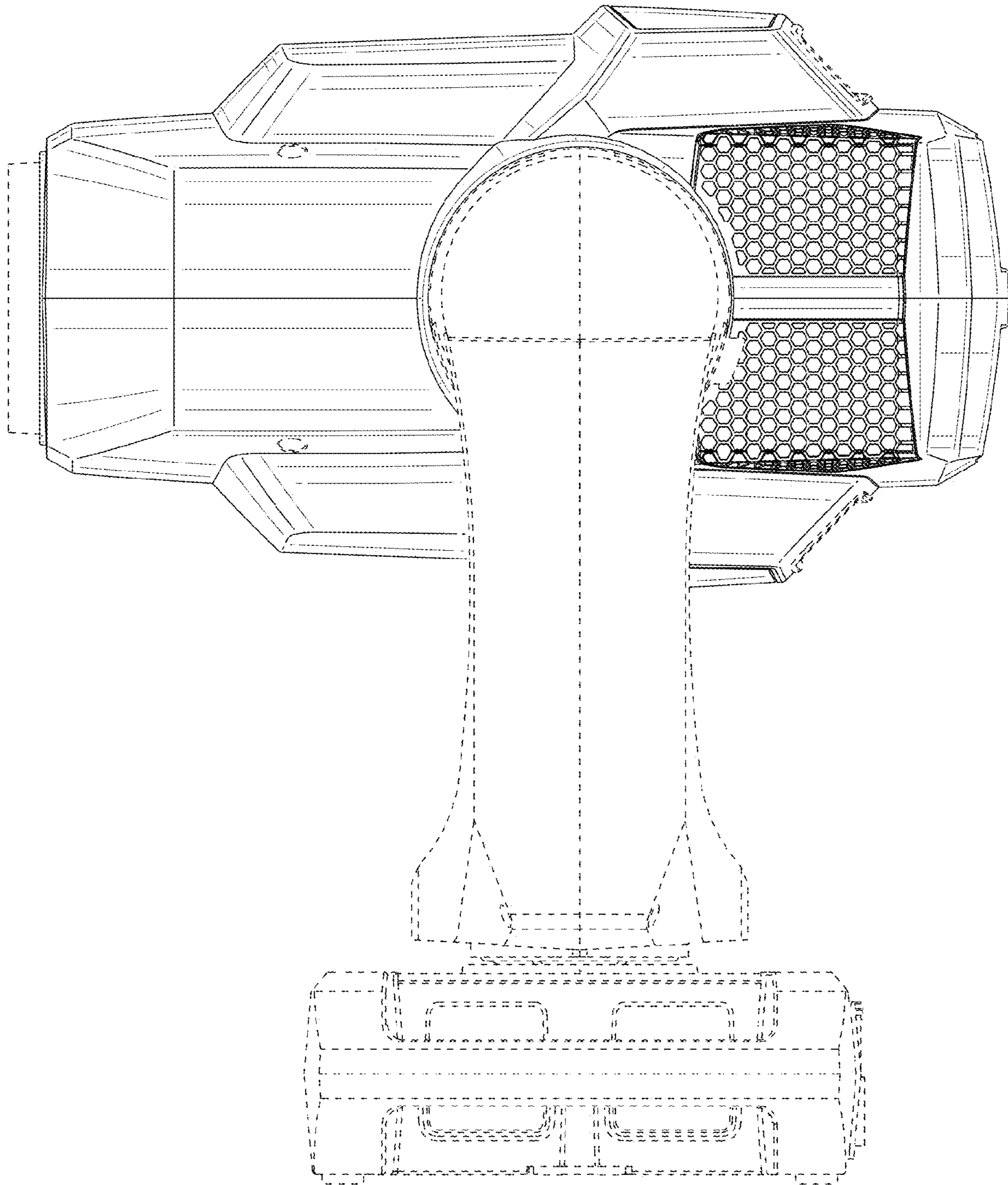


FIG. 6

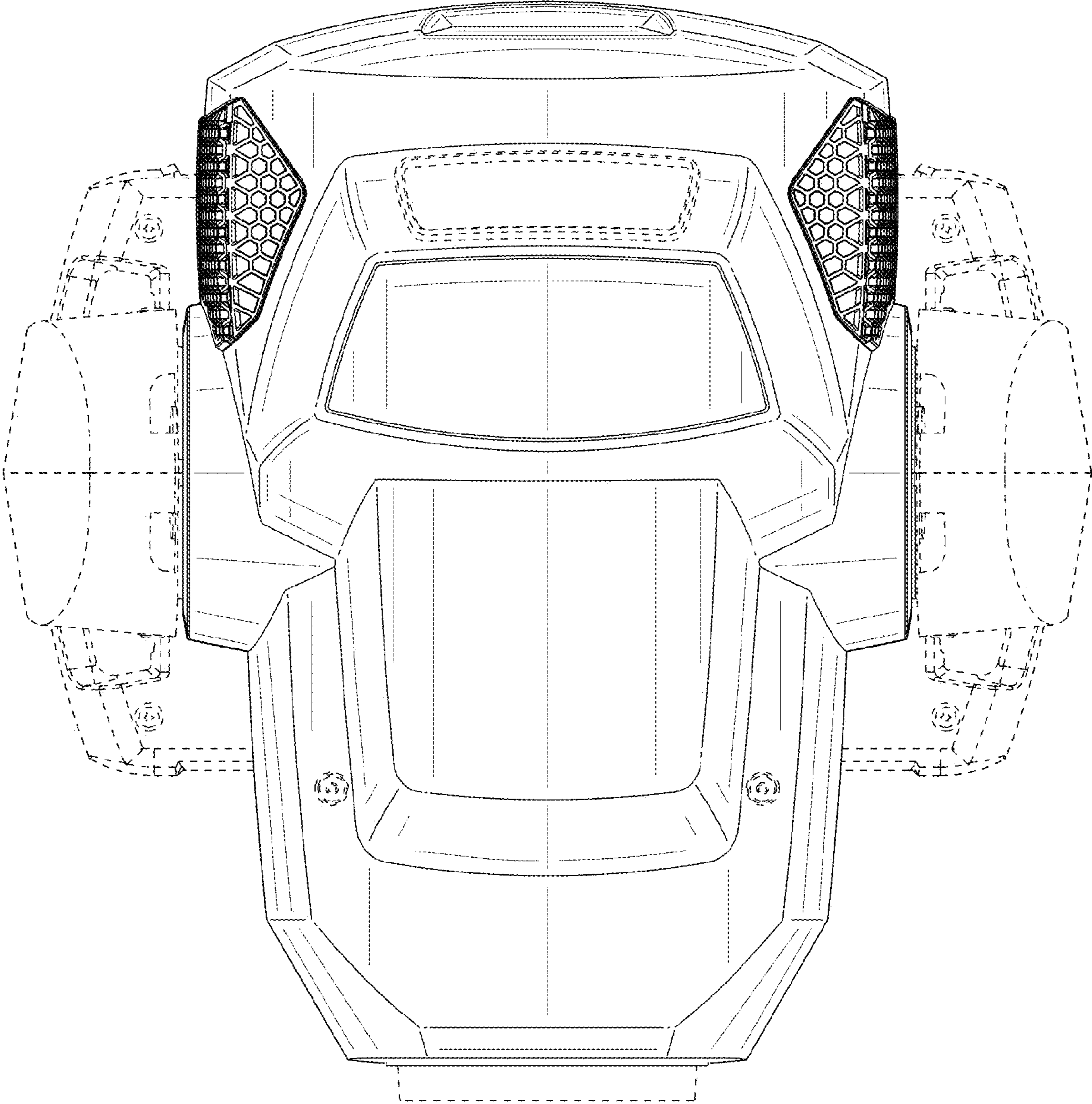


FIG. 7

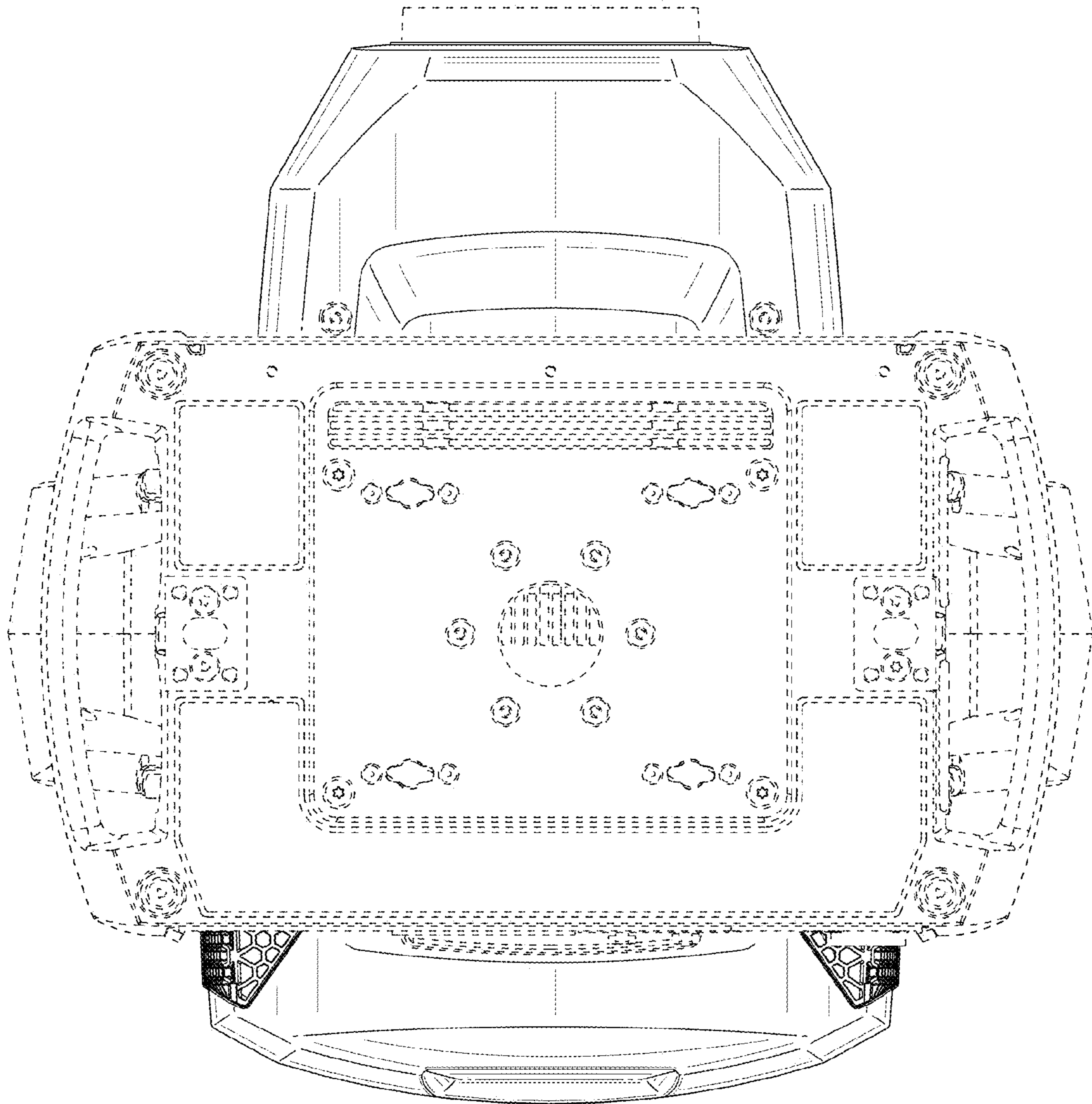


FIG. 8