



US00D904660S

(12) **United States Design Patent** (10) **Patent No.:** **US D904,660 S**
Smith et al. (45) **Date of Patent:** **** Dec. 8, 2020**

(54) **CLIP STYLE LIGHT**

(71) Applicant: **Sol-Light, LLC**, Las Vegas, NV (US)

(72) Inventors: **John Smith**, San Francisco, CA (US);
David Nelson, Las Vegas, NV (US);
Yan Kit Koo, Hong Kong (HK)

(73) Assignee: **Sol-Light, LLC**, Las Vegas, NV (US)

(**) Term: **15 Years**

(21) Appl. No.: **29/671,035**

(22) Filed: **Nov. 21, 2018**

(51) **LOC (12) Cl.** **26-03**

(52) **U.S. Cl.**

USPC **D26/60**

(58) **Field of Classification Search**

USPC D26/1, 24, 60, 61, 62, 72, 93, 106, 118,
D26/107

CPC F21S 6/00; F21S 6/002; F21S 6/003; F21S
6/004; F21S 6/005; F21S 6/006; F21S
6/007; F21V 21/02; F21V 21/088; F21W
2121/00; F21W 2131/30

See application file for complete search history.

(56) **References Cited**

U.S. PATENT DOCUMENTS

D524,977 S 7/2006 Smith et al.
D525,736 S 7/2006 Smith et al.
D535,046 S 1/2007 Smith et al.
7,390,105 B2* 6/2008 Nelson F21V 21/088
362/198

(Continued)

Primary Examiner — Brian N. Vinson

(74) *Attorney, Agent, or Firm* — Banner & Witcoff, Ltd.

(57) **CLAIM**

The ornamental design for a clip style light, as shown and described.

DESCRIPTION

FIG. 1 is a front perspective view of a clip style light showing our new design;

FIG. 2 is a front view thereof;

FIG. 3 is a rear view thereof;

FIG. 4 is a left side view thereof;

FIG. 5 is a right side view thereof;

FIG. 6 is a top view thereof;

FIG. 7 is a bottom view thereof;

FIG. 8 is a bottom perspective view thereof;

FIG. 9 is an enlarged view of the claimed portion of the design as shown in FIG. 1 with environment removed for clarity purposes;

FIG. 10 is an enlarged view of the claimed portion of the design as shown in FIG. 2 with environment removed for clarity purposes;

FIG. 11 is an enlarged view of the claimed portion of the design as shown in FIG. 3 with environment removed for clarity purposes;

FIG. 12 is an enlarged view of the claimed portion of the design as shown in FIG. 4 with environment removed for clarity purposes;

FIG. 13 is an enlarged view of the claimed portion of the design as shown in FIG. 5 with environment removed for clarity purposes;

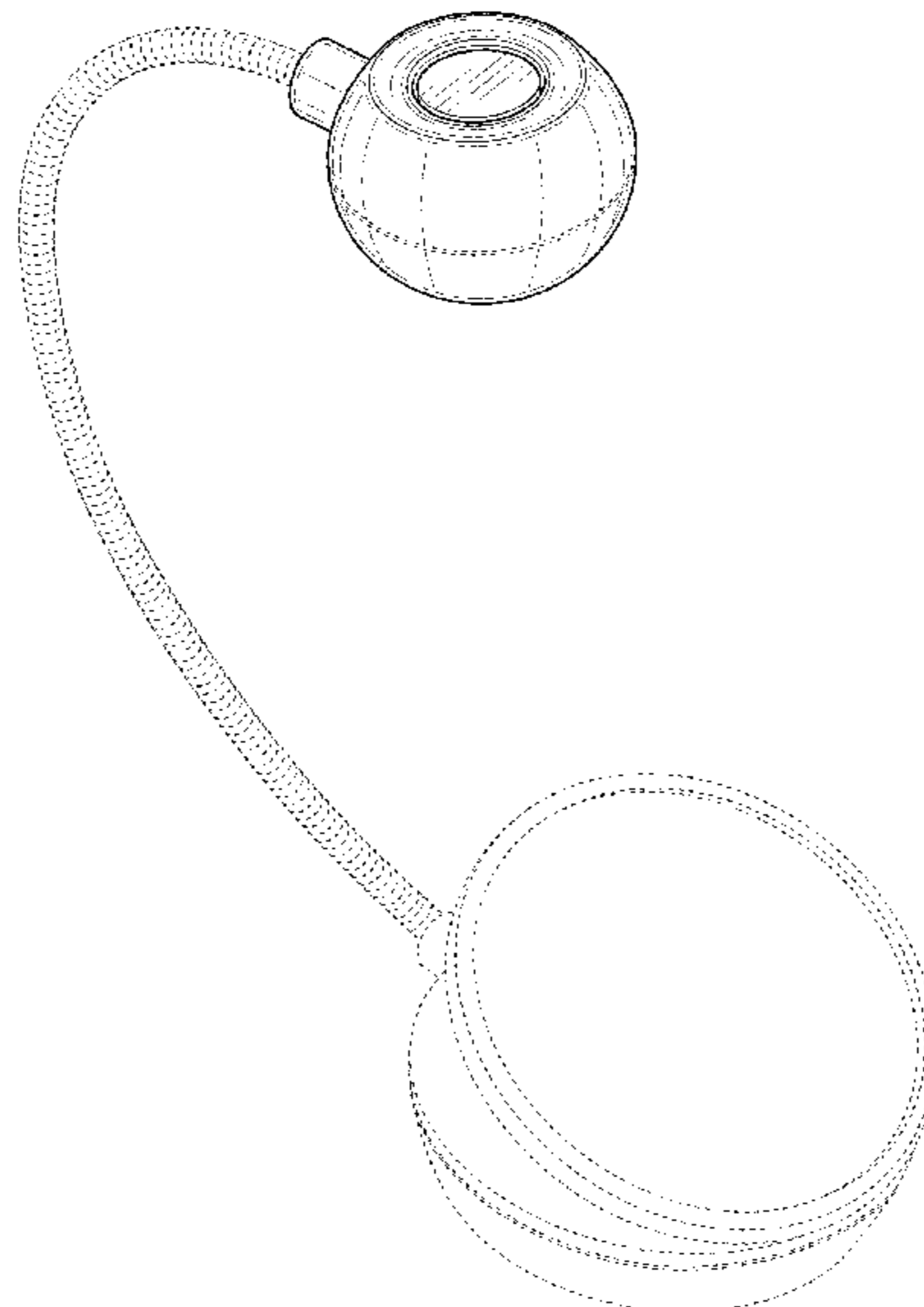
FIG. 14 is an enlarged view of the claimed portion of the design as shown in FIG. 6 with environment removed for clarity purposes;

FIG. 15 is an enlarged view of the claimed portion of the design as shown in FIG. 7 with environment removed for clarity purposes; and,

FIG. 16 is an enlarged view of the claimed portion of the design as shown in FIG. 8 with environment removed for clarity purposes.

The broken lines immediately adjacent to the shaded areas represent the bounds of the claimed design and form no part thereof. The broken lines depicting the remainder of the clip style light show features that form no part of the claimed design.

1 Claim, 16 Drawing Sheets



(56)

References Cited

U.S. PATENT DOCUMENTS

D600,852	S	9/2009	Clepper et al.	
D600,853	S	9/2009	Clepper et al.	
7,686,467	B2	3/2010	Nelson et al.	
D618,385	S	6/2010	Nelson et al.	
D618,386	S	6/2010	Nelson et al.	
D629,943	S	12/2010	Nelson et al.	
D629,944	S	12/2010	Nelson et al.	
D629,946	S	12/2010	Nelson et al.	
D630,358	S	1/2011	Nelson et al.	
D636,916	S	4/2011	Nelson et al.	
D636,917	S	4/2011	Nelson et al.	
D636,918	S *	4/2011	Nelson	D26/60
8,408,733	B2	4/2013	Nelson et al.	
D753,868	S	4/2016	Smith et al.	
D770,072	S	10/2016	Law et al.	
D772,476	S	11/2016	Smith et al.	
D822,865	S *	7/2018	Fassi	D26/60
D825,823	S *	8/2018	Ren	D26/60
D838,888	S *	1/2019	Shengbiao	D26/60
D861,219	S *	9/2019	Shengbiao	D26/60
D861,944	S *	10/2019	Wu	D26/60
D870,942	S *	12/2019	Yang	D26/60

* cited by examiner

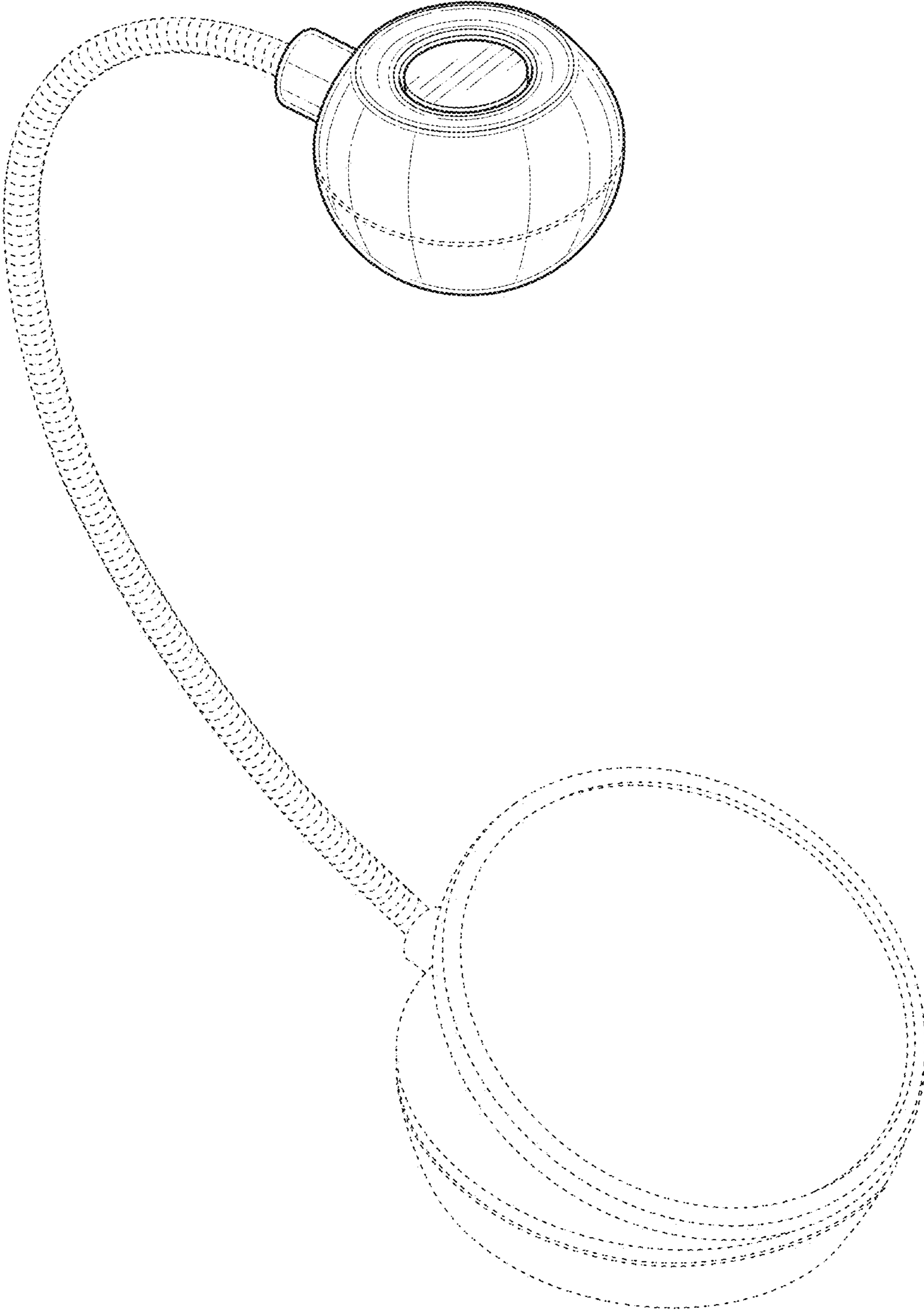


FIG. 1

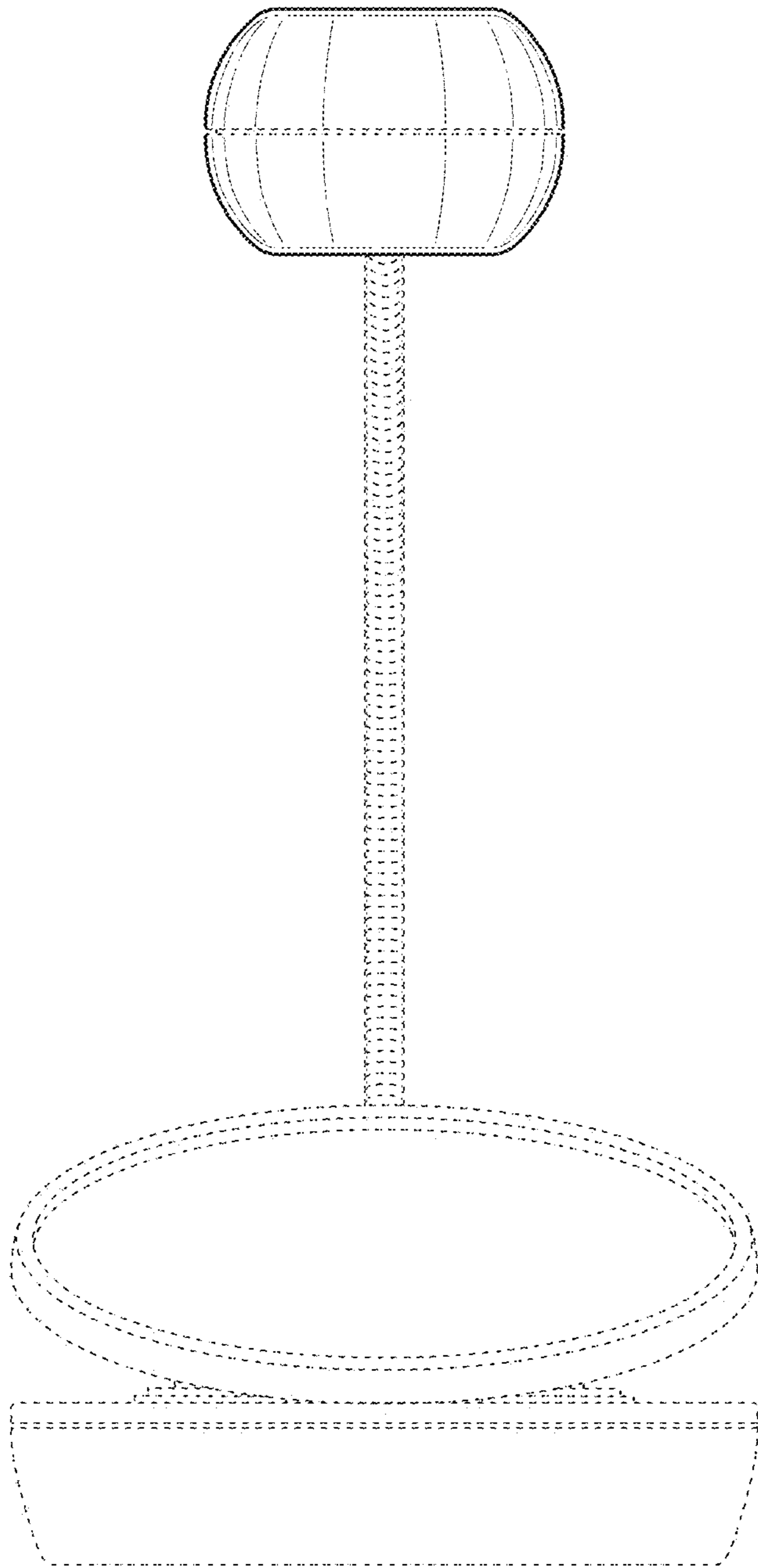


FIG. 2

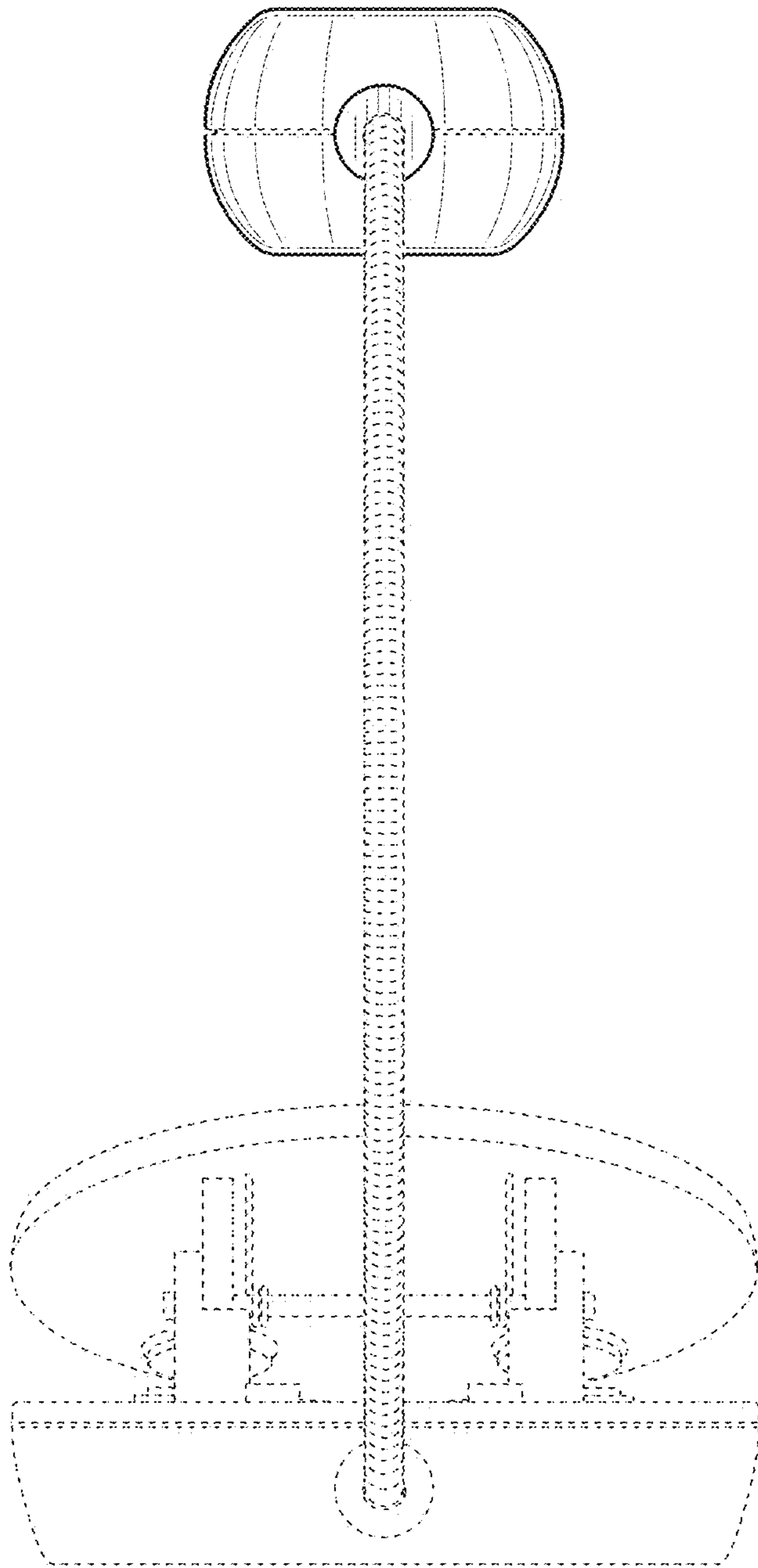


FIG. 3

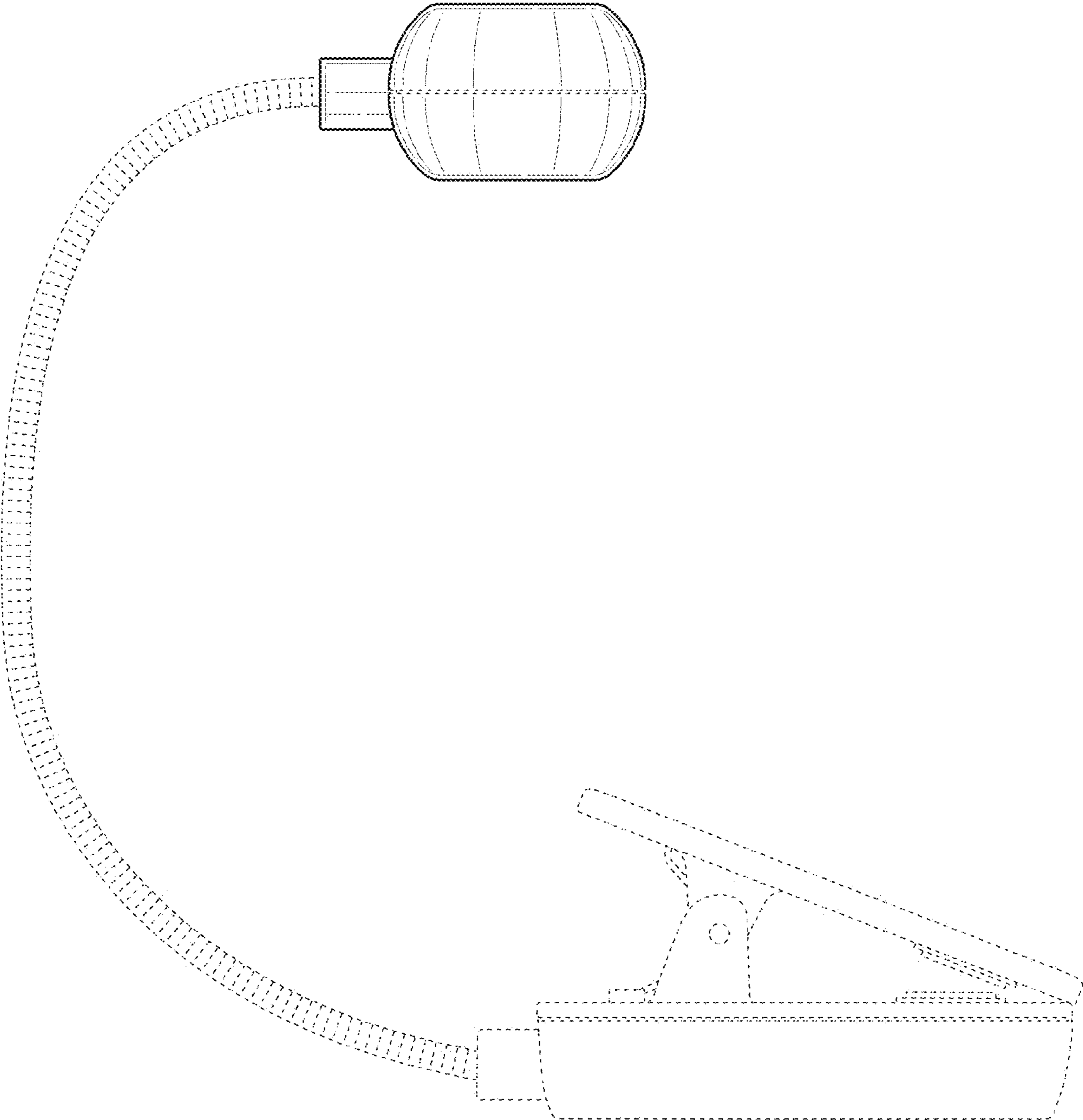


FIG. 4

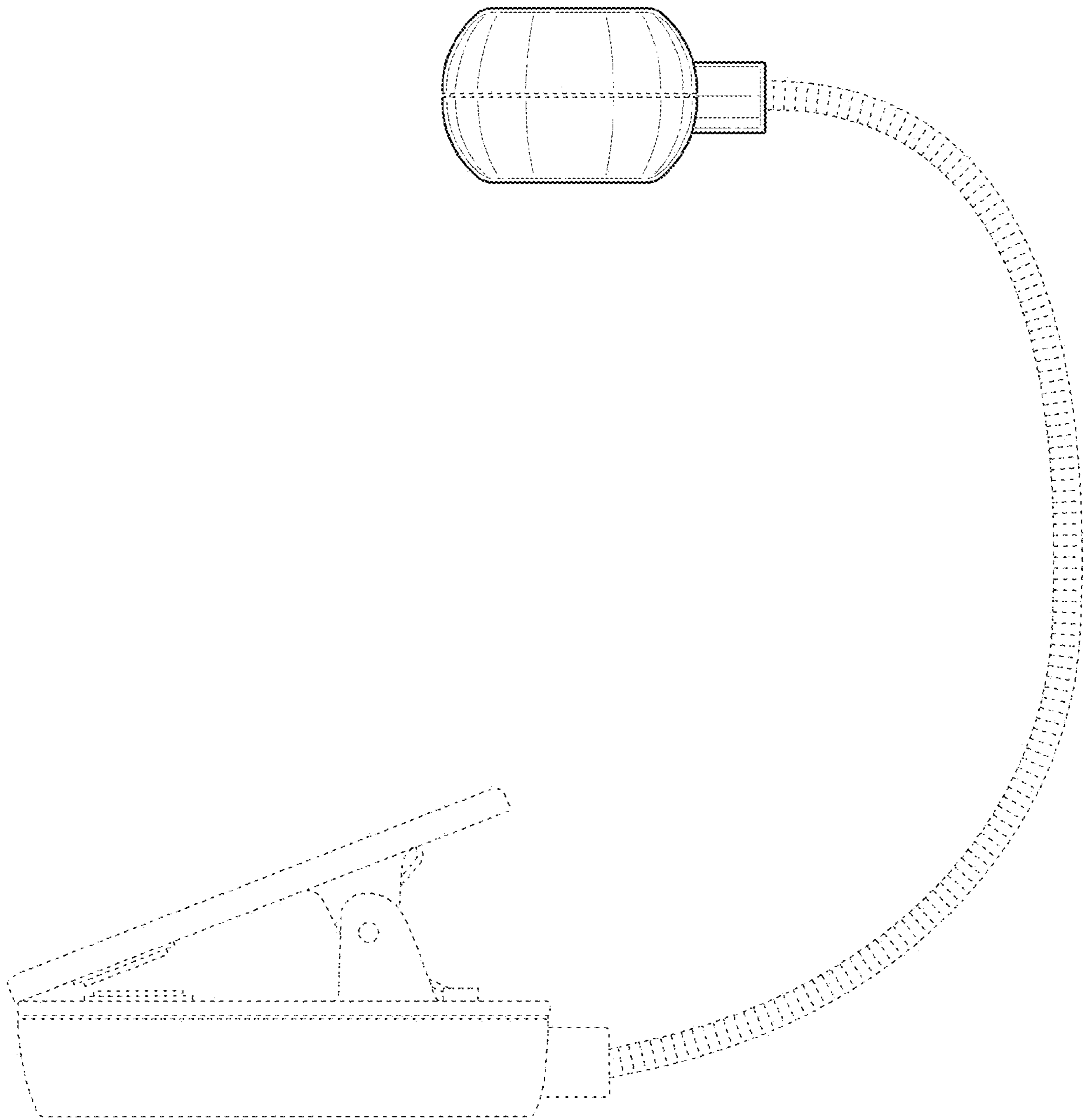


FIG. 5

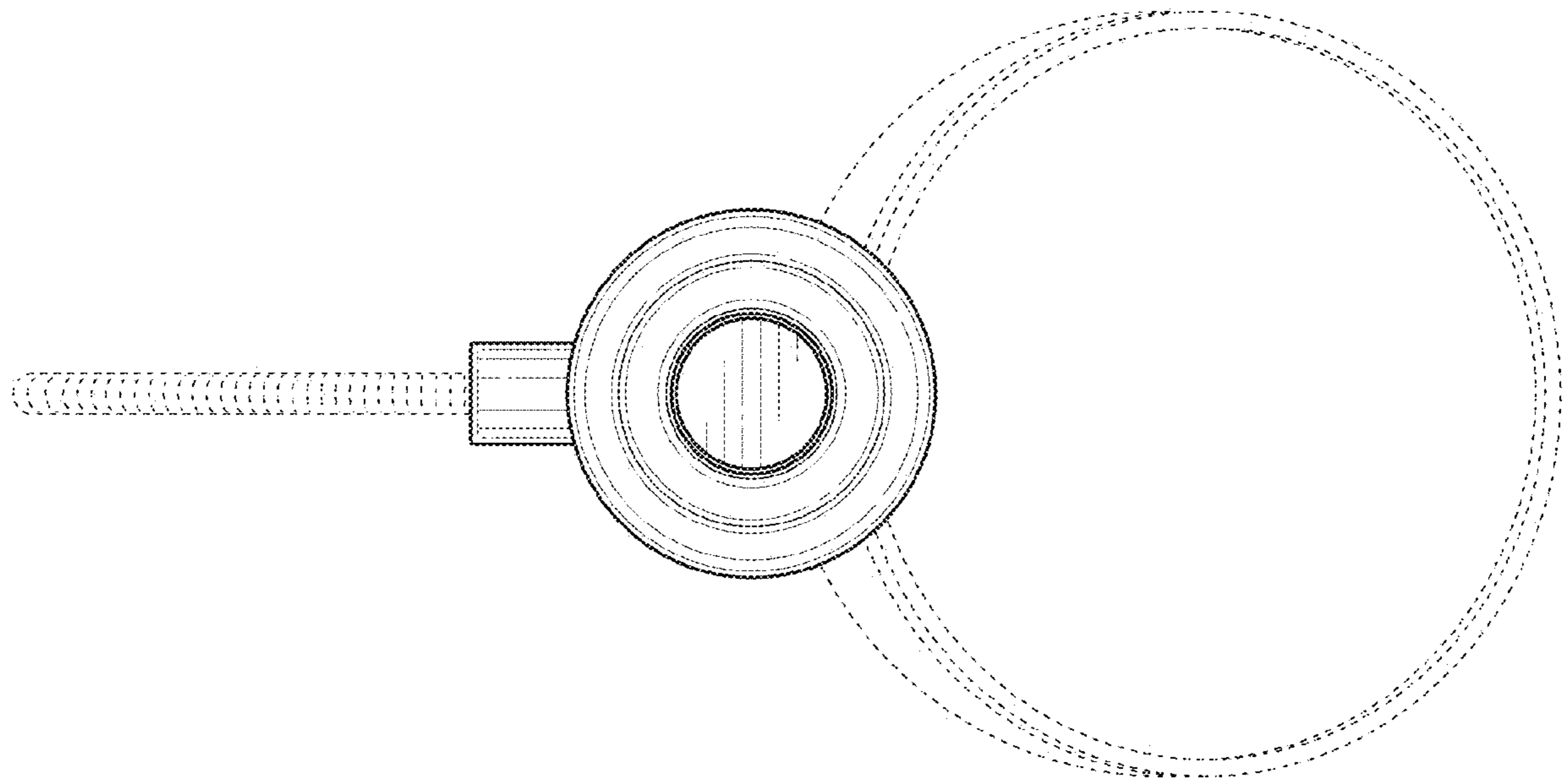


FIG. 6

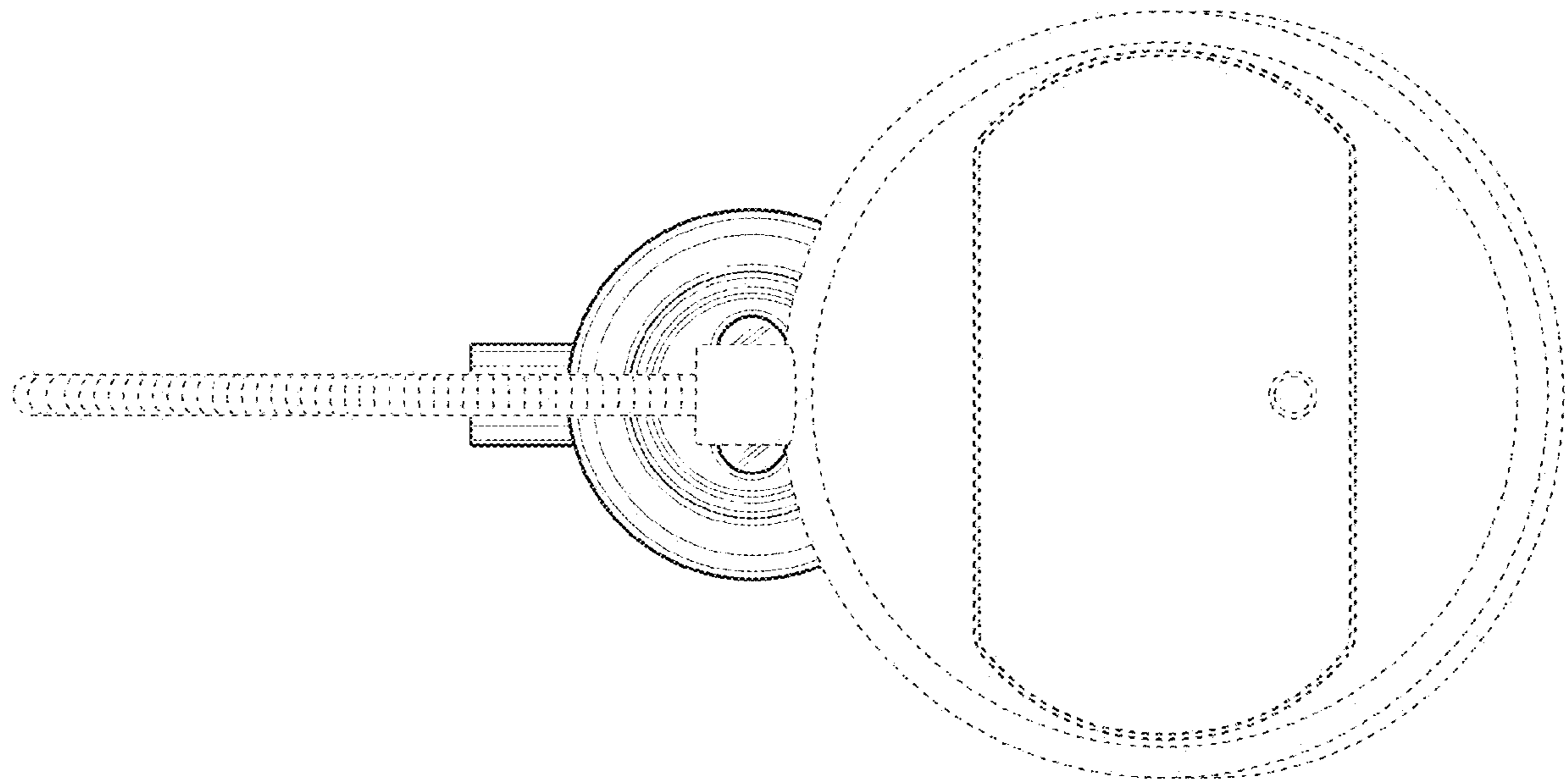


FIG. 7

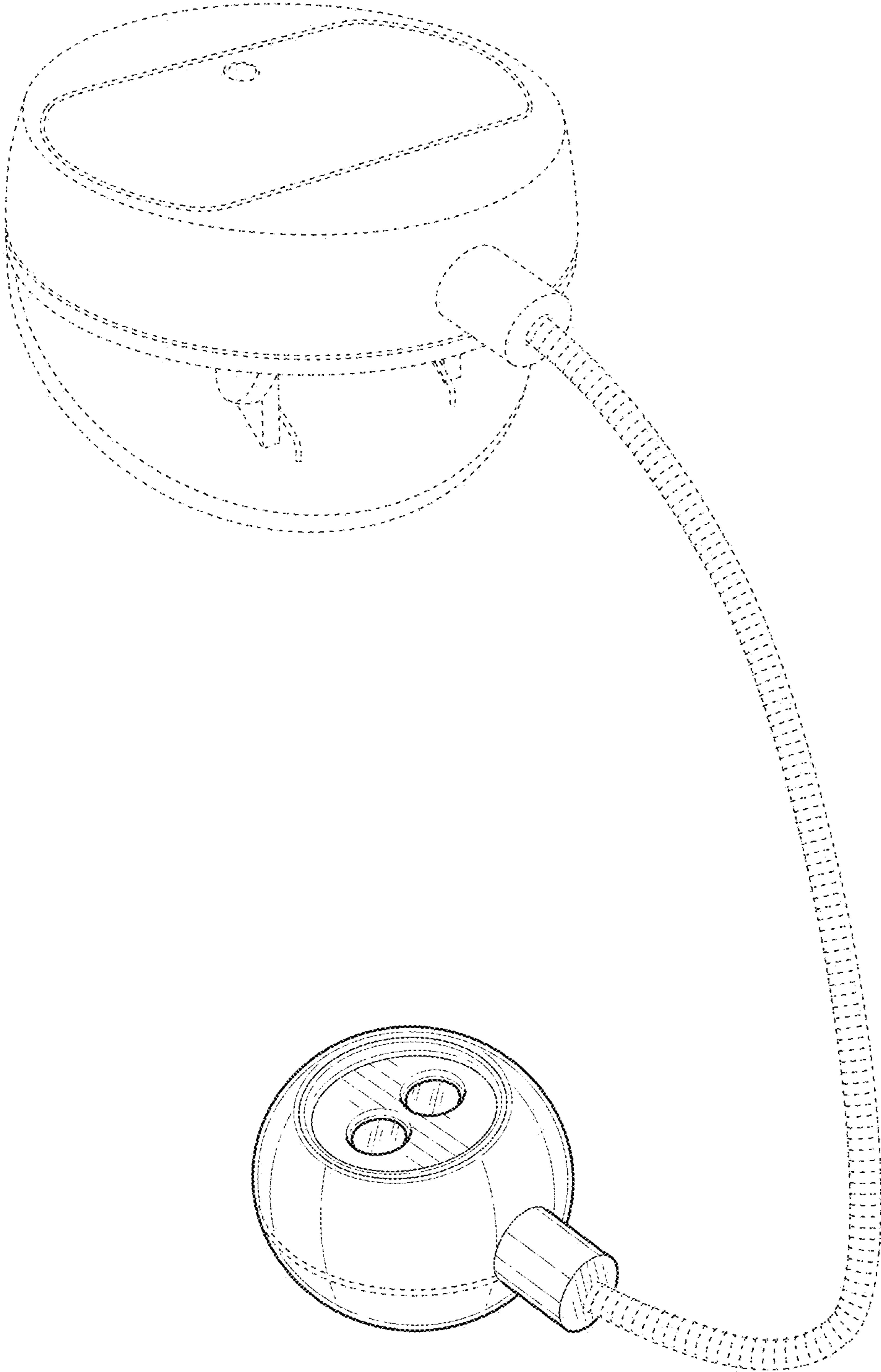


FIG. 8

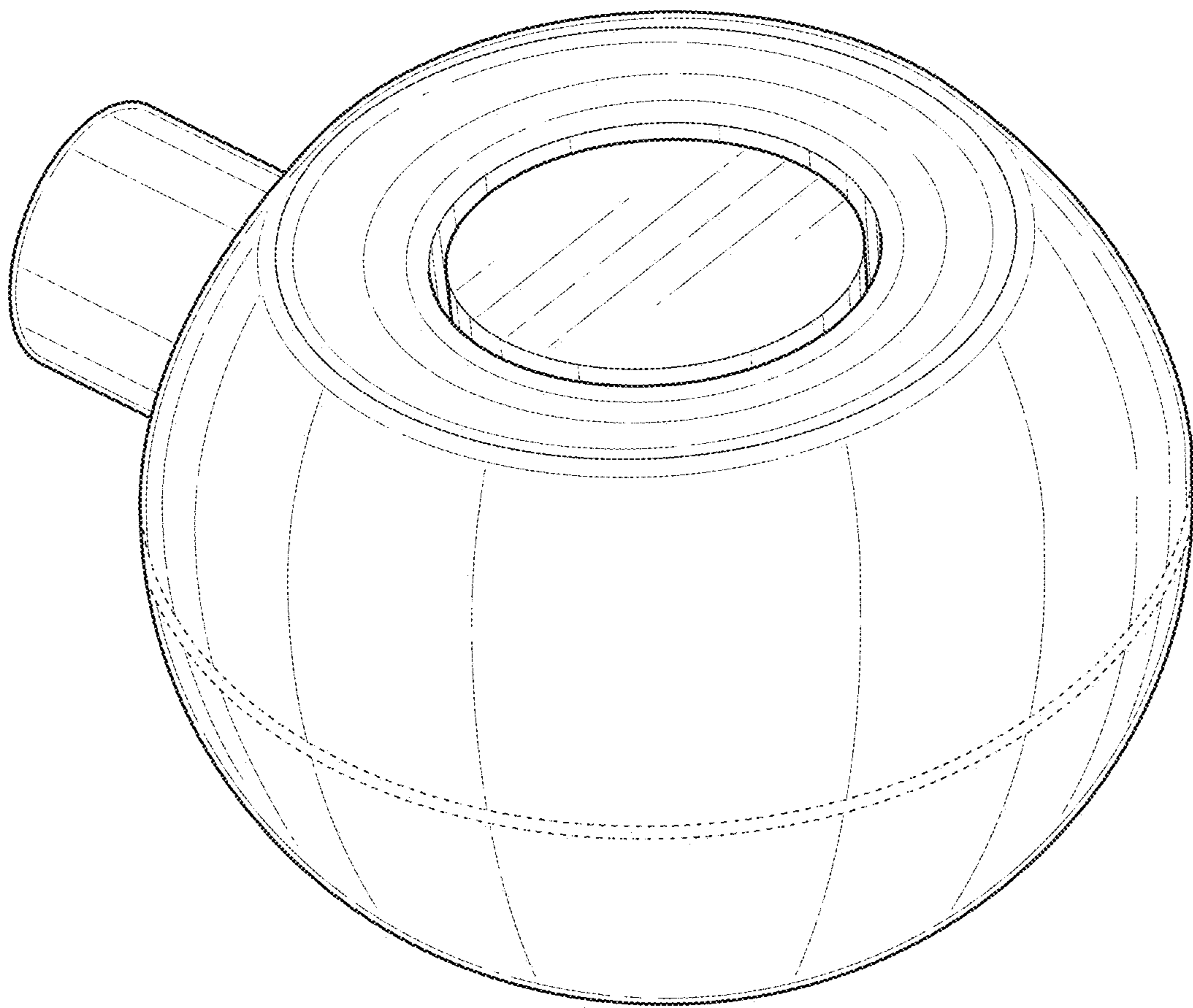


FIG. 9

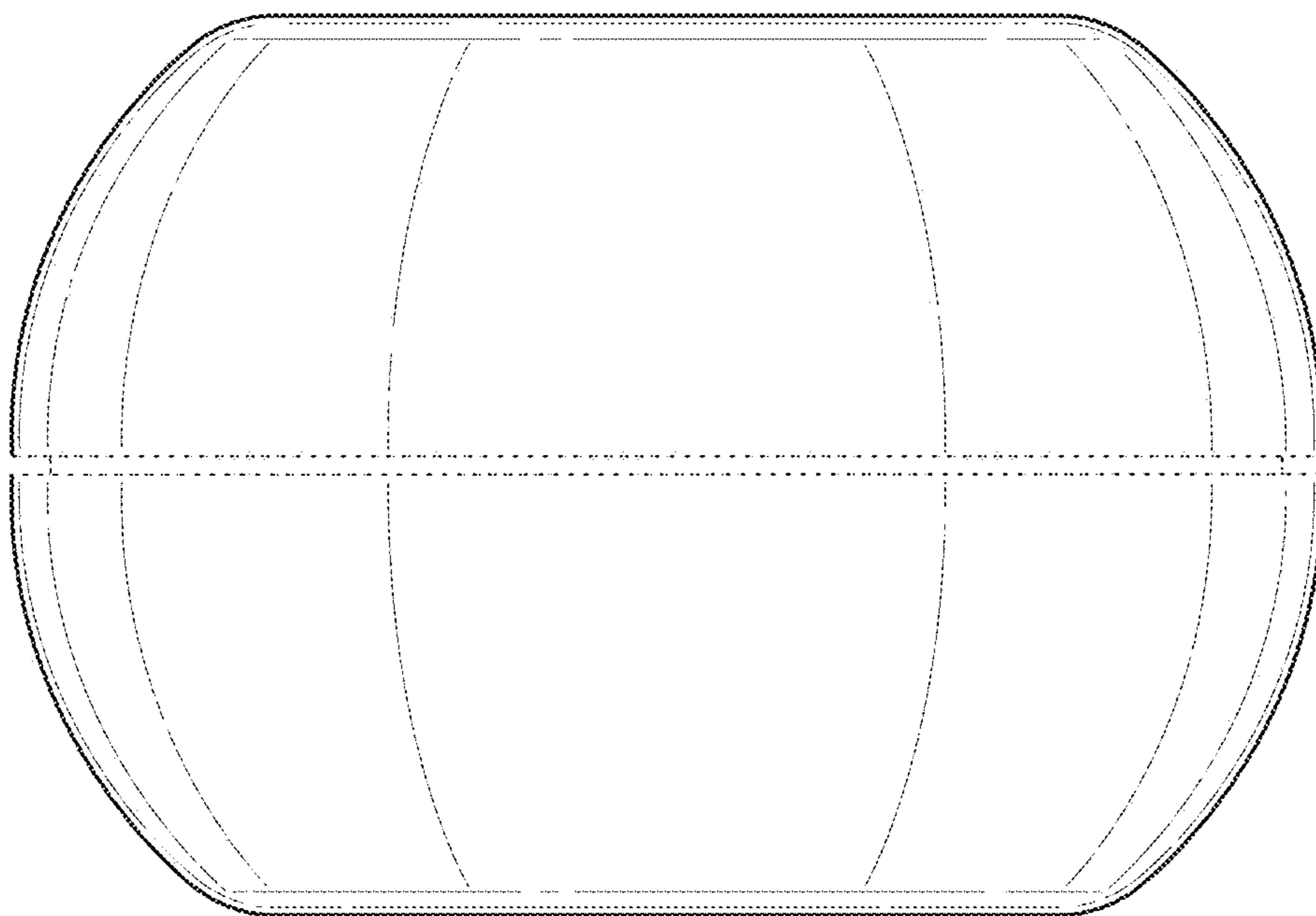


FIG. 10

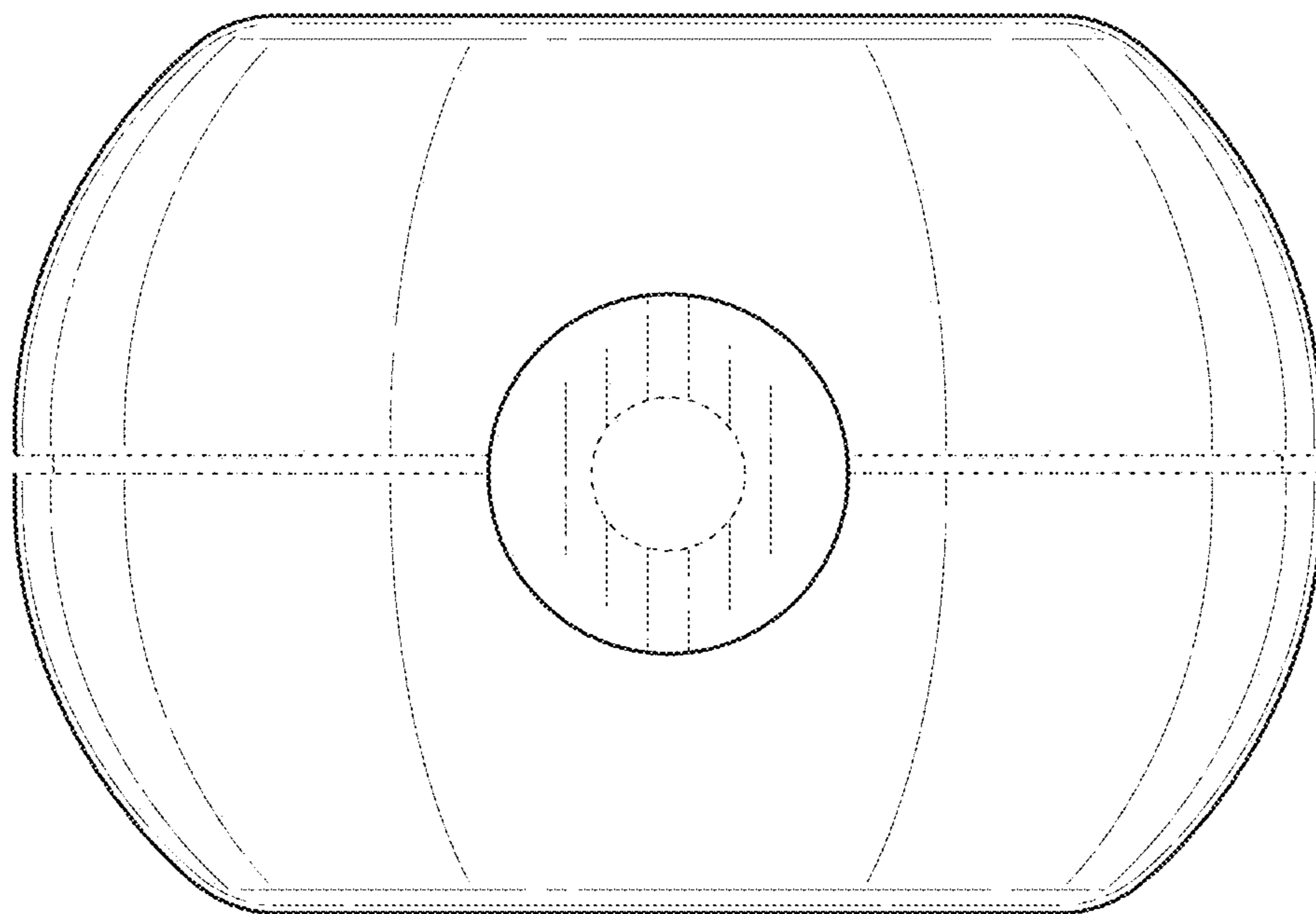


FIG. 11

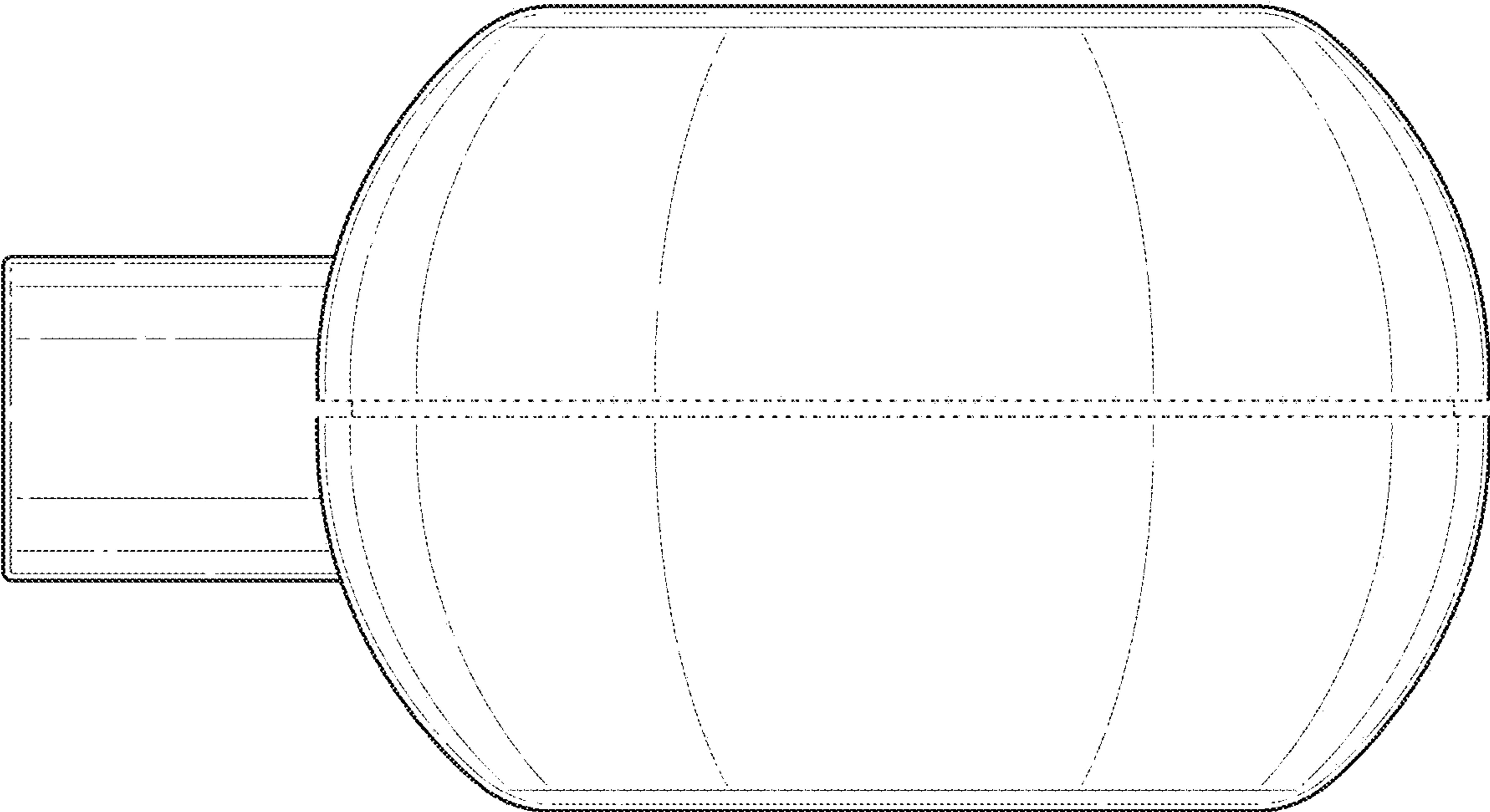


FIG. 12

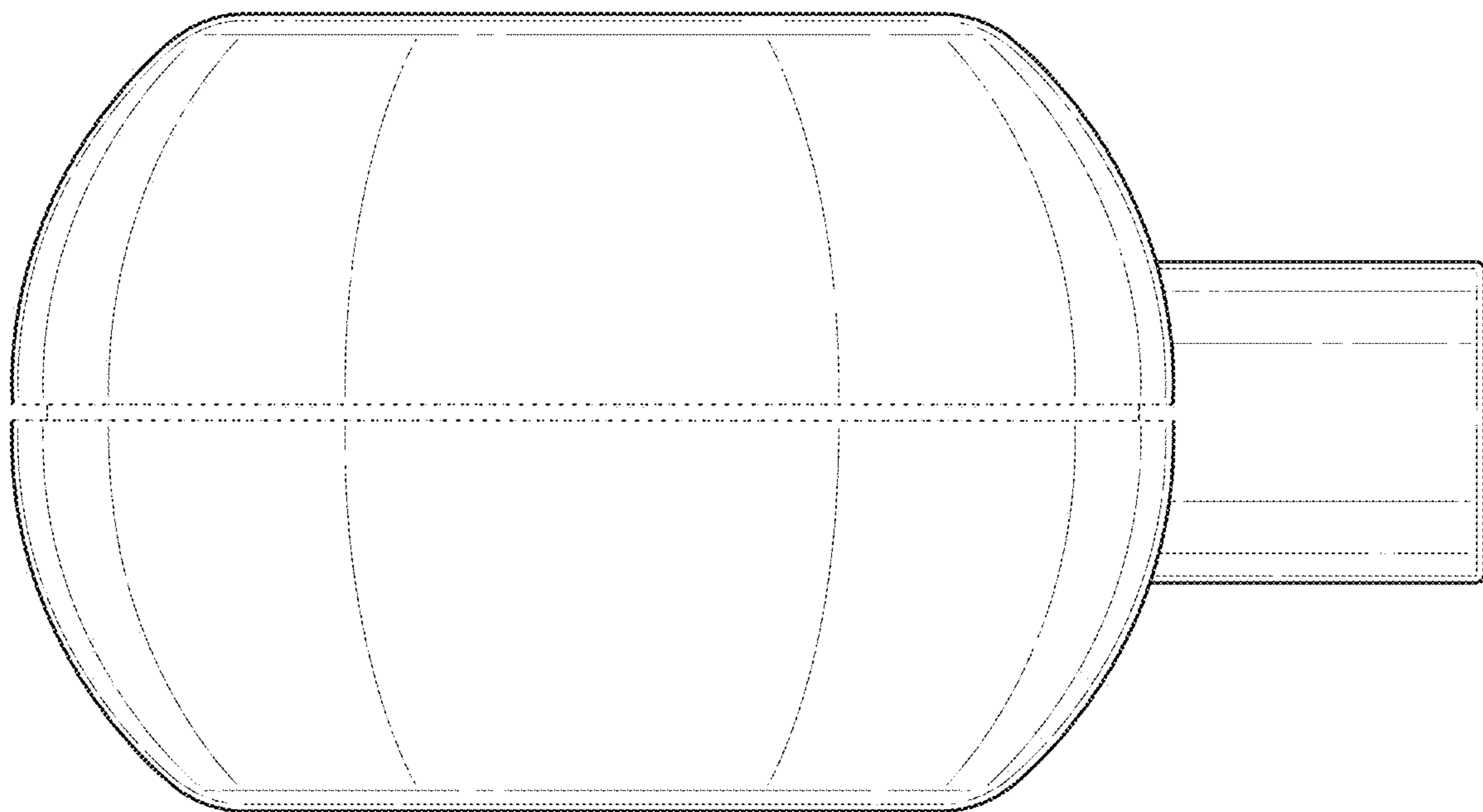


FIG. 13

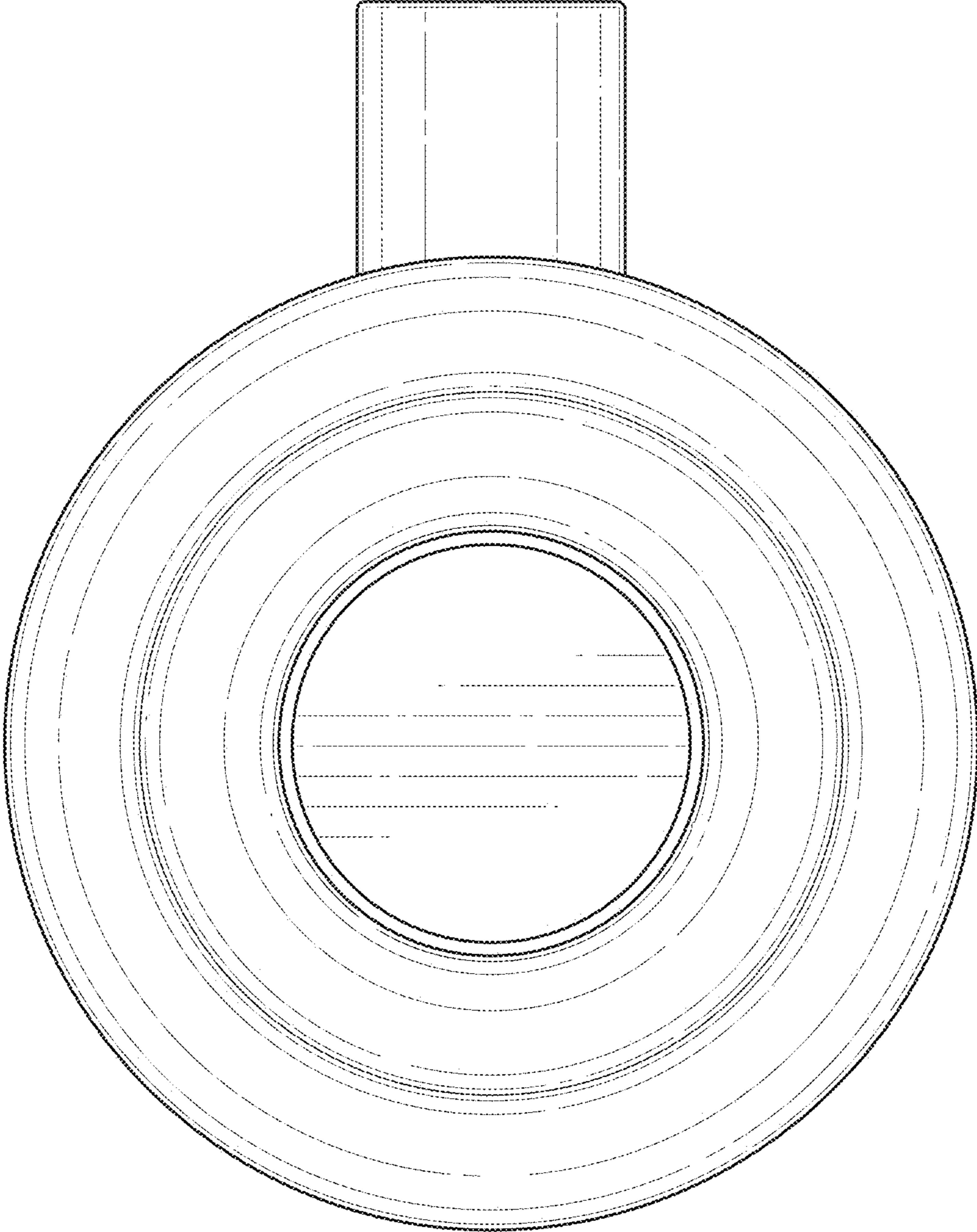


FIG. 14

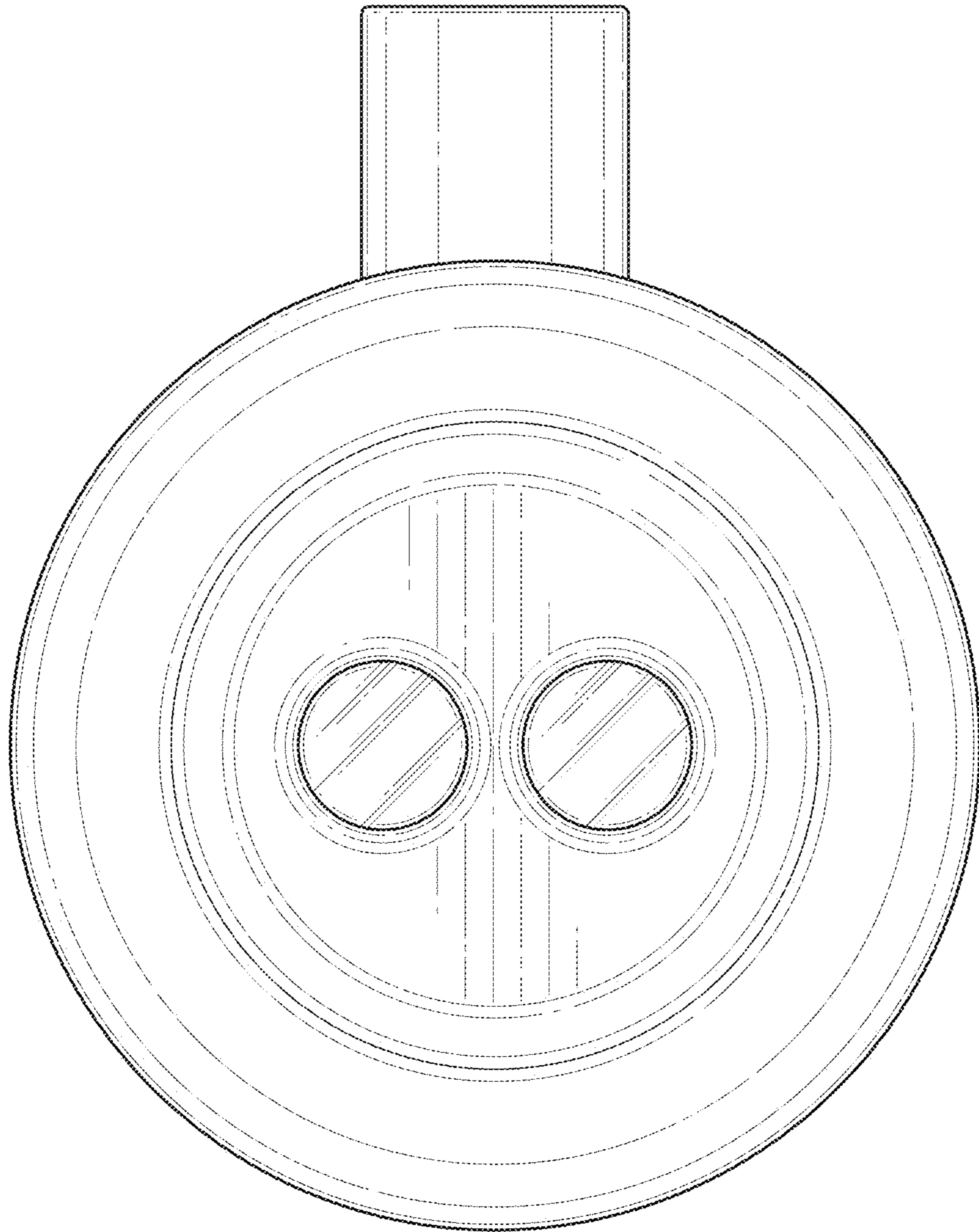


FIG. 15

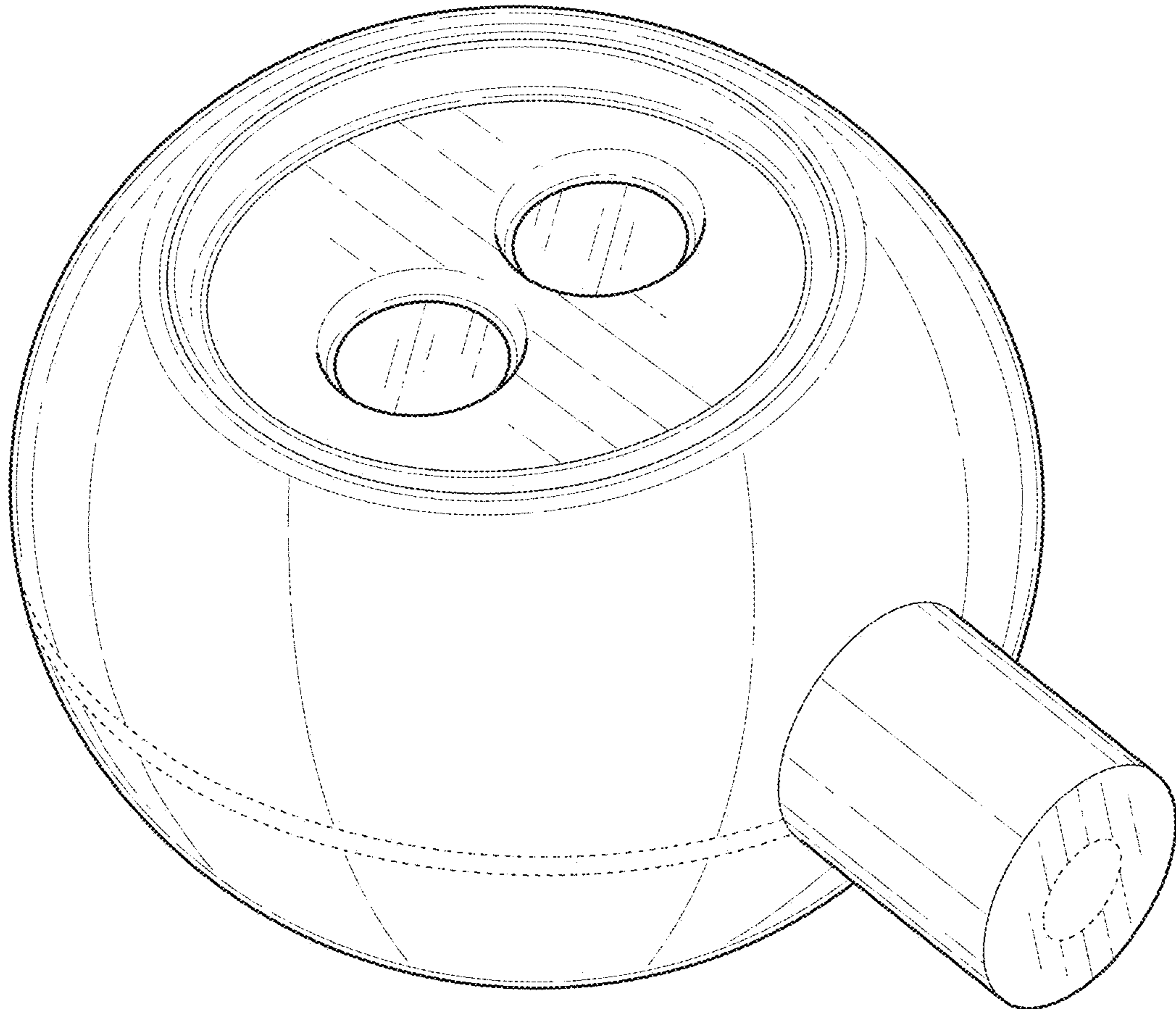


FIG. 16