



US00D904659S

(12) **United States Design Patent** (10) **Patent No.:** **US D904,659 S**  
**Smith et al.** (45) **Date of Patent:** **\*\* Dec. 8, 2020**

(54) **CLIP STYLE LIGHT**  
(71) Applicant: **Sol-Light, LLC**, Las Vegas, NV (US)  
(72) Inventors: **John Smith**, San Francisco, CA (US);  
**David Nelson**, Las Vegas, NV (US);  
**Yan Kit Koo**, Hong Kong (HK)  
(73) Assignee: **Sol-Light, LLC.**, Las Vegas, NV (US)  
(\*\*) Term: **15 Years**  
(21) Appl. No.: **29/671,029**  
(22) Filed: **Nov. 21, 2018**  
(51) **LOC (12) Cl.** ..... **26-03**  
(52) **U.S. Cl.**  
USPC ..... **D26/60**  
(58) **Field of Classification Search**  
USPC ..... D26/1, 24, 60, 61, 62, 72, 93, 106, 118,  
D26/107  
CPC .... F21S 6/00; F21S 6/002; F21S 6/003; F21S  
6/004; F21S 6/005; F21S 6/006; F21S  
6/007; F21V 21/02; F21V 21/088; F21W  
2121/00; F21W 2131/30  
See application file for complete search history.

(56) **References Cited**  
U.S. PATENT DOCUMENTS  
D524,977 S 7/2006 Smith et al.  
D525,736 S 7/2006 Smith et al.  
D535,046 S 1/2007 Smith et al.  
7,390,105 B2\* 6/2008 Nelson ..... F21V 21/088  
362/198  
D600,852 S 9/2009 Clepper et al.  
D600,853 S 9/2009 Clepper et al.  
7,686,467 B2 3/2010 Nelson et al.  
D618,385 S 6/2010 Nelson et al.  
D618,386 S 6/2010 Nelson et al.  
D629,943 S 12/2010 Nelson et al.  
D629,944 S 12/2010 Nelson et al.

D629,946 S 12/2010 Nelson et al.  
D630,358 S 1/2011 Nelson et al.  
D636,916 S 4/2011 Nelson et al.  
D636,917 S 4/2011 Nelson et al.  
D636,918 S \* 4/2011 Nelson ..... D26/60  
8,408,733 B2 4/2013 Nelson et al.  
D753,868 S 4/2016 Smith et al.  
D770,072 S 10/2016 Law et al.  
D772,476 S 11/2016 Smith et al.  
D822,865 S \* 7/2018 Fassi ..... D26/60  
D825,823 S \* 8/2018 Ren ..... D26/60  
D838,888 S \* 1/2019 Shengbiao ..... D26/60  
D861,219 S \* 9/2019 Shengbiao ..... D26/60  
D861,944 S \* 10/2019 Wu ..... D26/60  
D870,942 S \* 12/2019 Yang ..... D26/60

\* cited by examiner

*Primary Examiner* — Brian N. Vinson  
(74) *Attorney, Agent, or Firm* — Banner & Witcoff, Ltd.

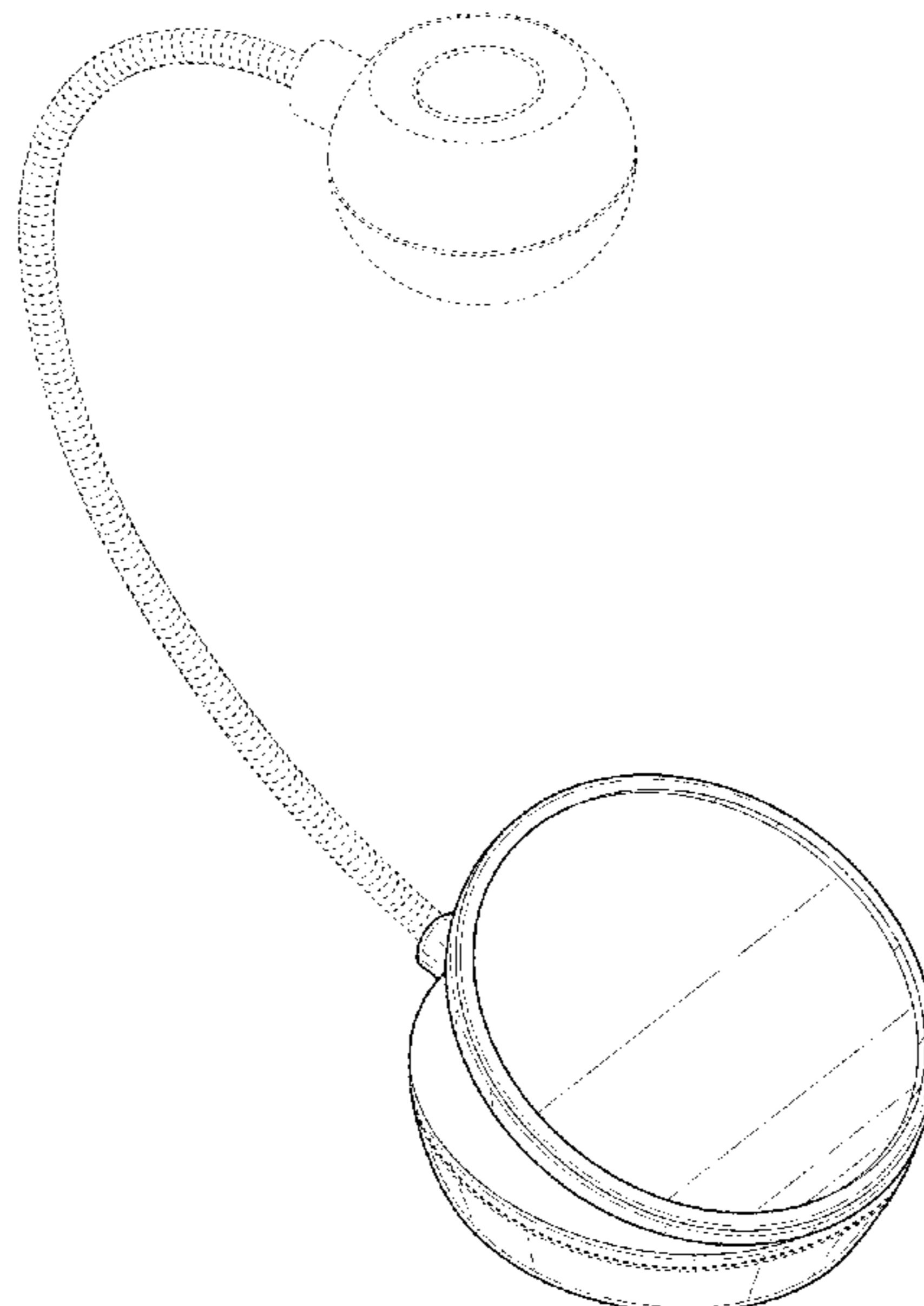
(57) **CLAIM**

The ornamental design for a clip style light, as shown and describe.

**DESCRIPTION**

FIG. 1 is a front perspective view of a clip style light showing our new design;  
FIG. 2 is a front view thereof;  
FIG. 3 is a rear view thereof;  
FIG. 4 is a left side view thereof;  
FIG. 5 is a right side view thereof;  
FIG. 6 is a top view thereof;  
FIG. 7 is a bottom view thereof; and,  
FIG. 8 is a bottom perspective view thereof.  
The broken lines immediately adjacent to the shaded areas represent the bounds of the claimed design and form no part thereof. The broken lines depicting the remainder of the clip style light show features that form no part of the claimed design.

**1 Claim, 8 Drawing Sheets**



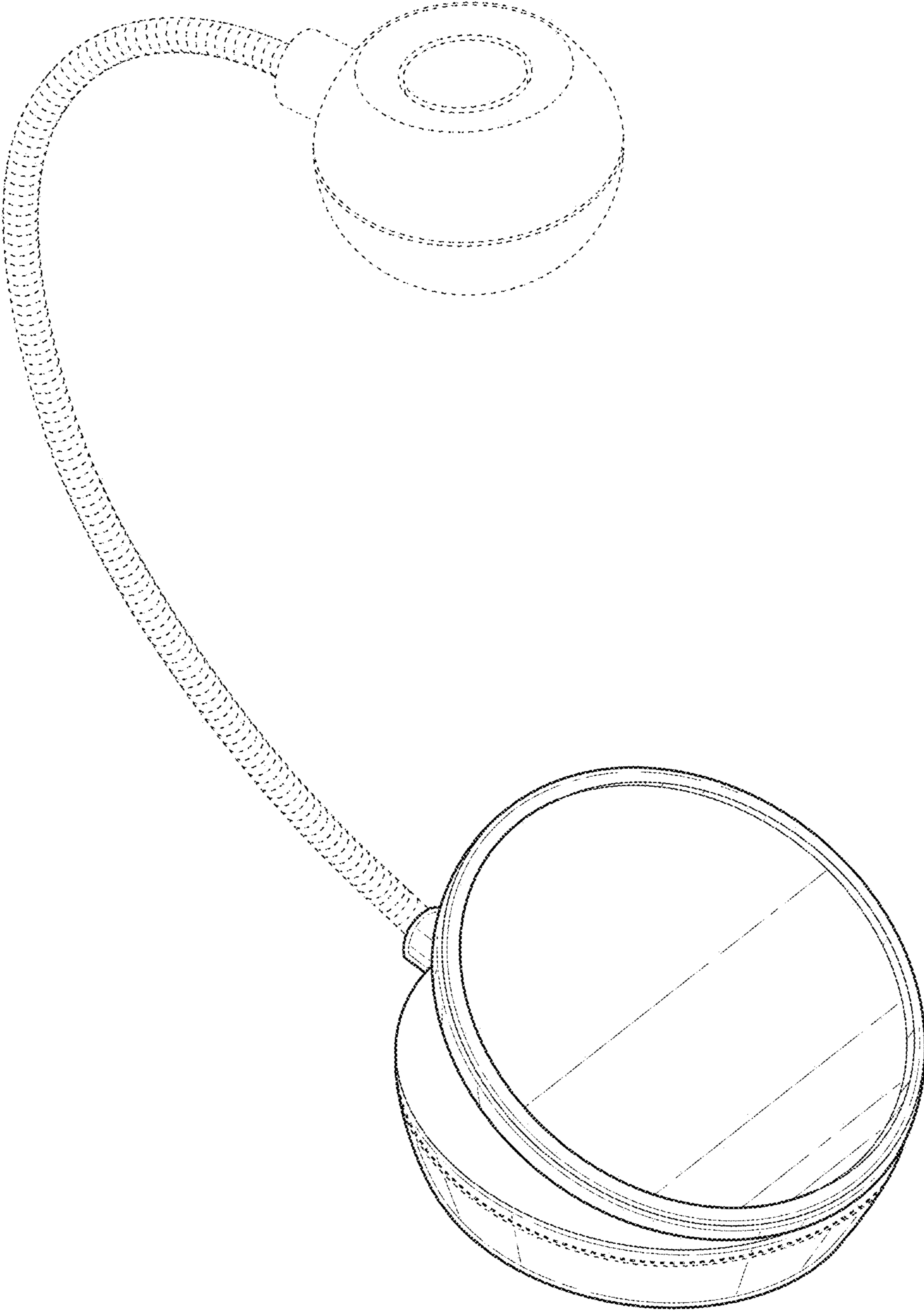
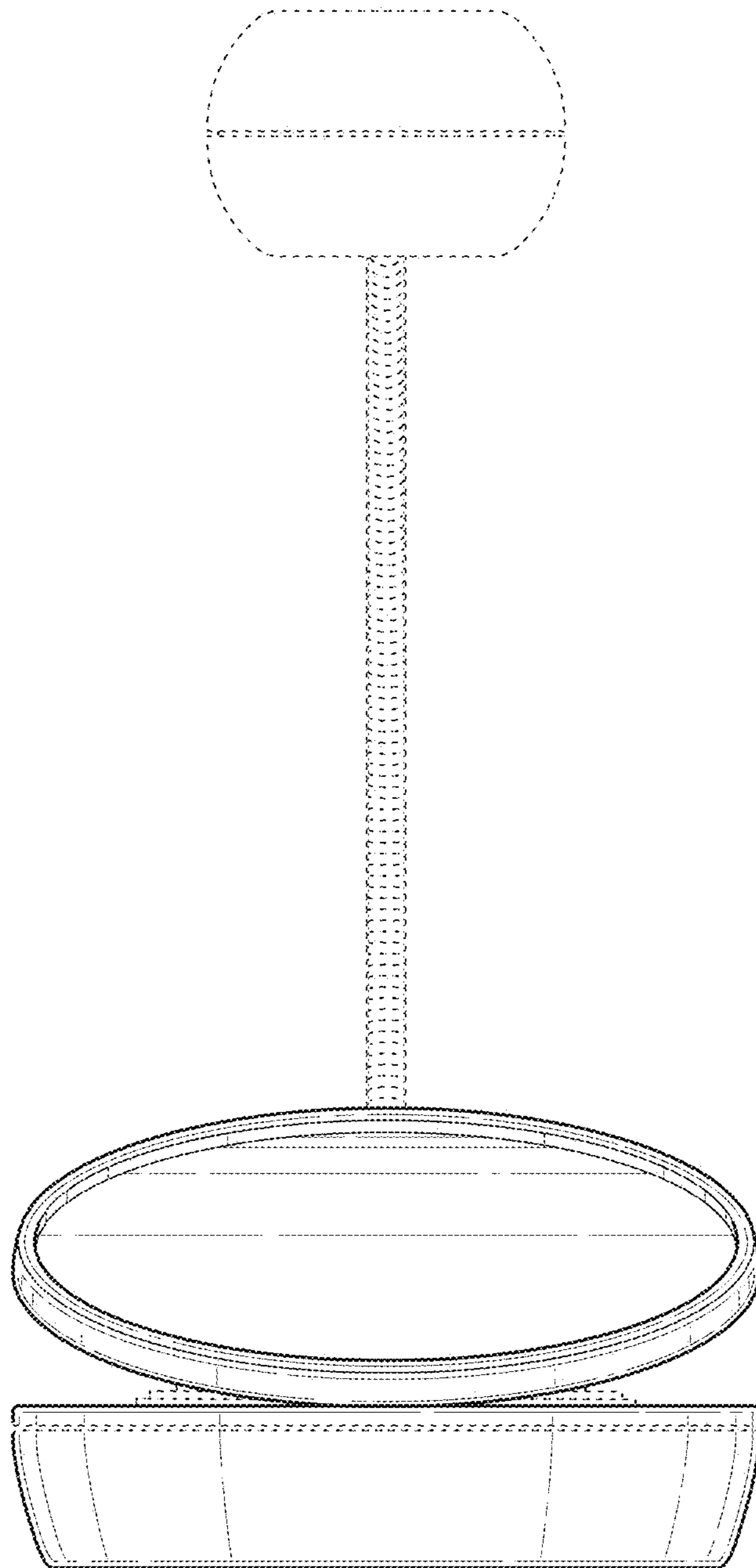


FIG. 1



**FIG. 2**

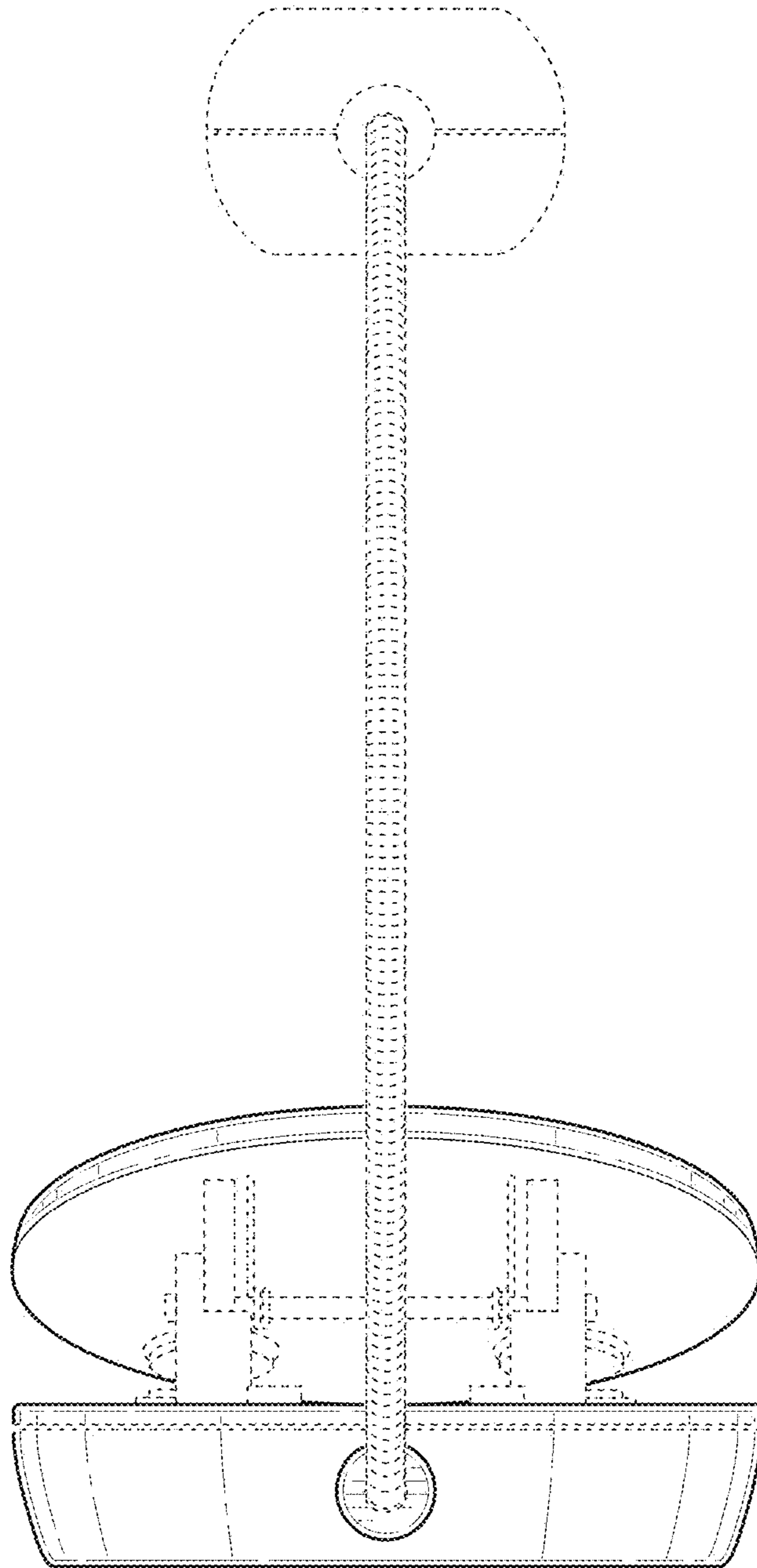


FIG. 3

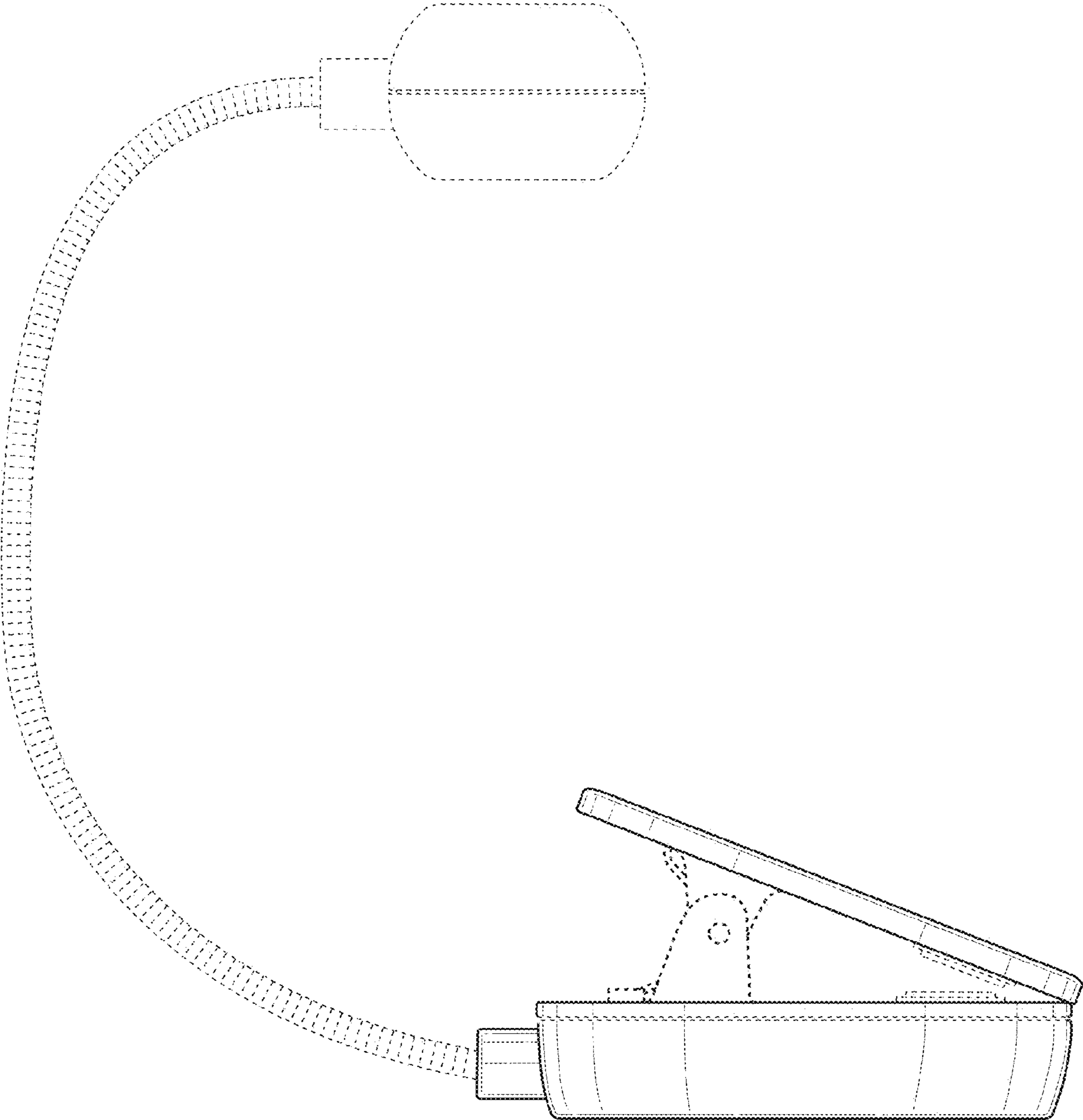


FIG. 4

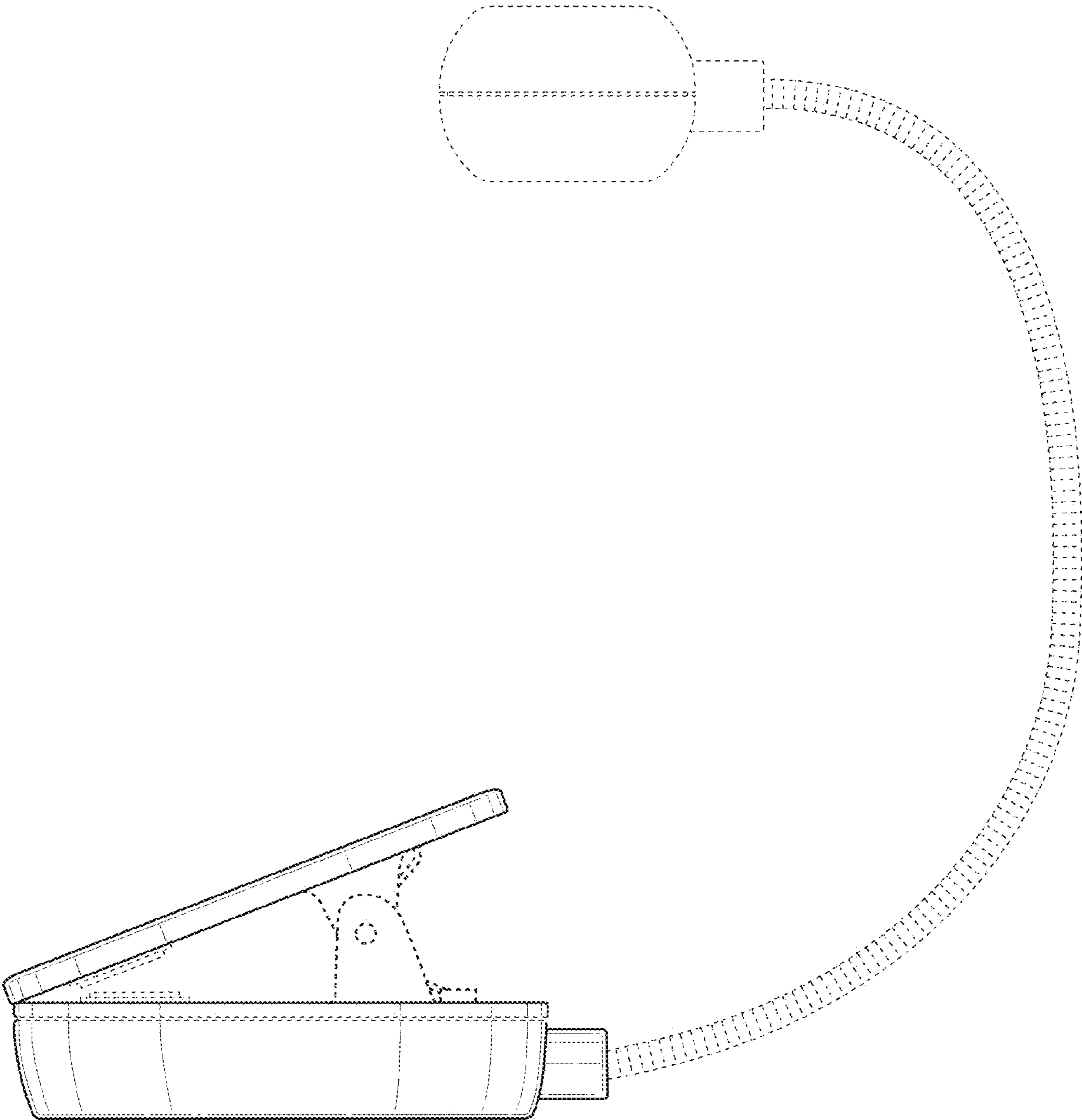


FIG. 5

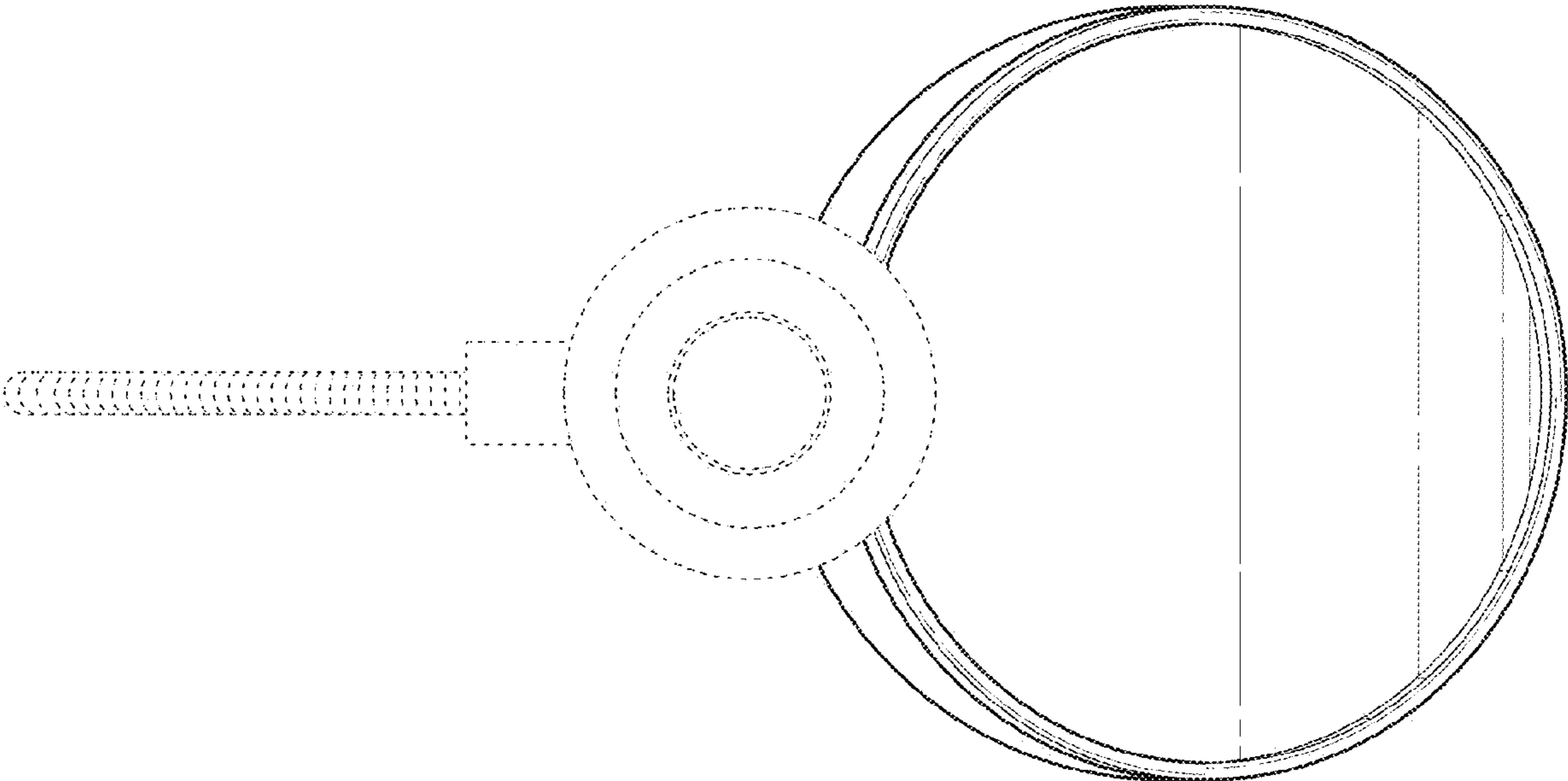


FIG. 6

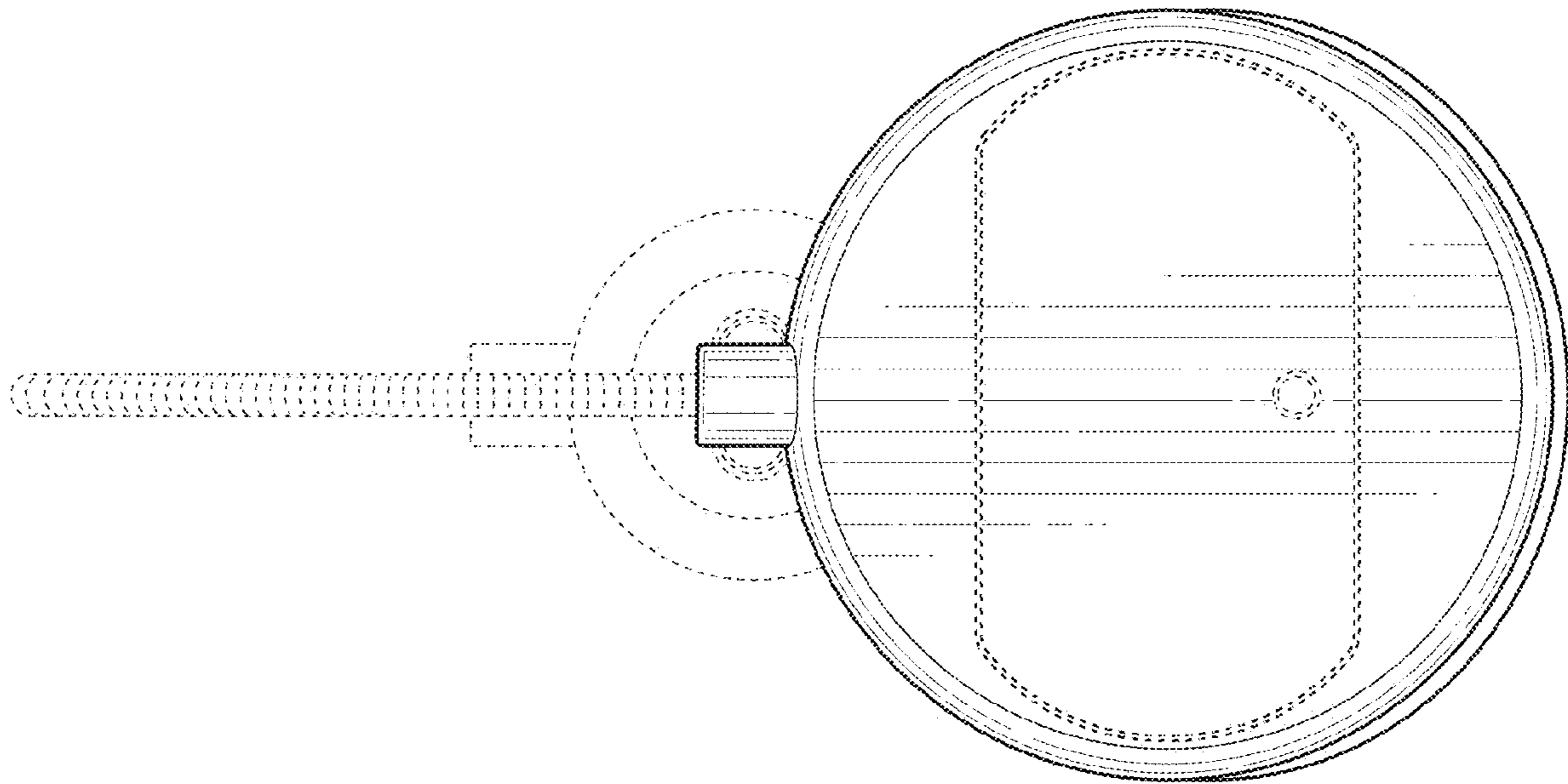


FIG. 7



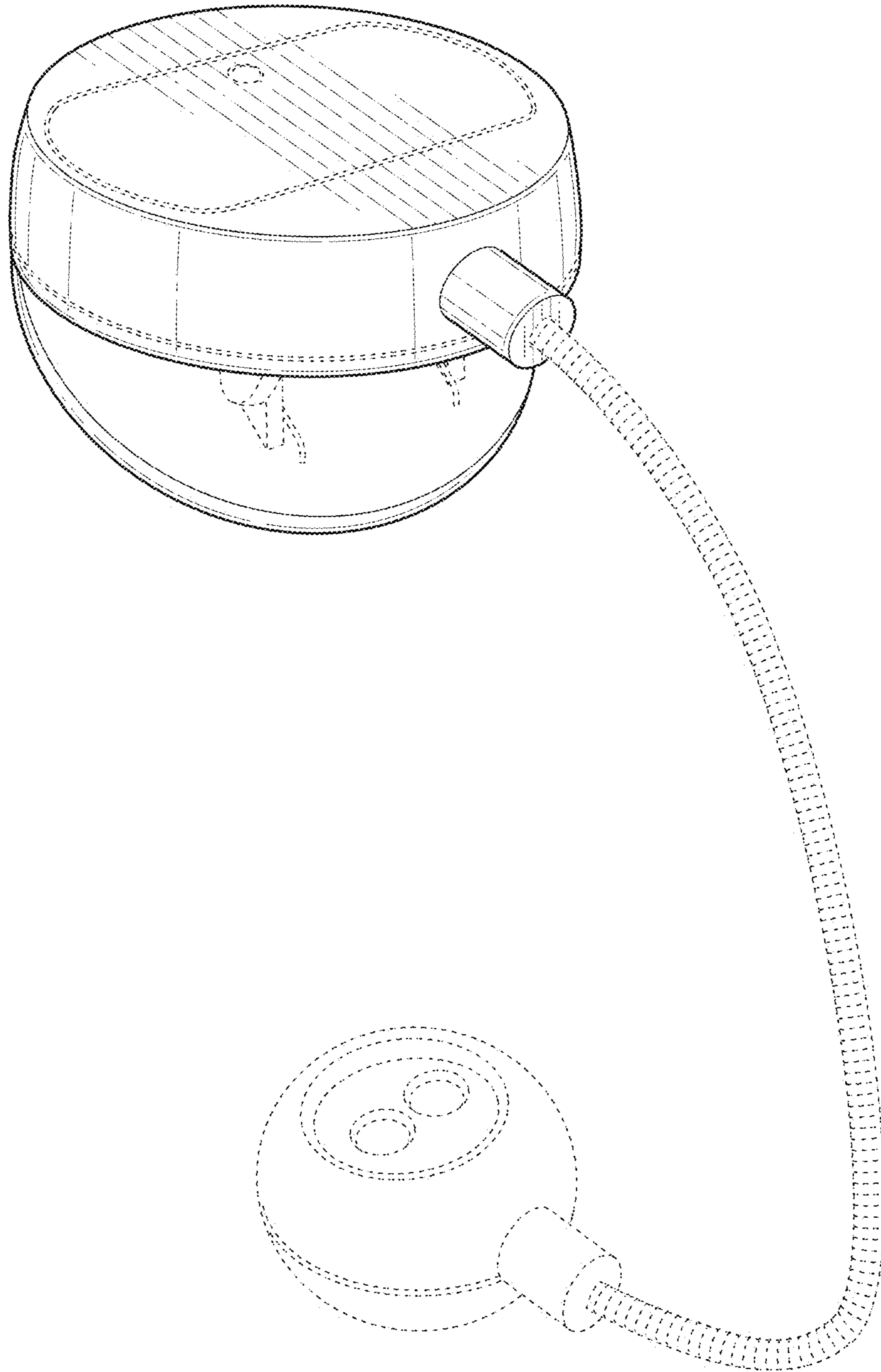


FIG. 8