

US00D904658S

(12) **United States Design Patent** (10) **Patent No.:** **US D904,658 S**  
**Bao** (45) **Date of Patent:** **\*\* Dec. 8, 2020**

(54) **WORK LAMP**

(56) **References Cited**

(71) Applicant: **YUYAO YUCHANG ELECTRICAL APPLIANCE CO., LTD.**, Zhejiang (CN)

(72) Inventor: **Yong Bao**, Zhejiang (CN)

(73) Assignee: **YUYAO YUCHANG ELECTRICAL APPLIANCE CO., LTD.**, Zhejiang (CN)

(\*\*) Term: **15 Years**

(21) Appl. No.: **29/682,808**

(22) Filed: **Mar. 7, 2019**

(30) **Foreign Application Priority Data**

Oct. 15, 2018 (CN) ..... 2018 3 0573828

(51) **LOC (12) Cl.** ..... **26-02**

(52) **U.S. Cl.**  
USPC ..... **D26/42**

(58) **Field of Classification Search**  
USPC ..... D26/37-51, 63  
CPC ..... F21L 2003/00; F21L 4/005; F21L 4/02;  
F21L 4/025; F21L 4/027; F21L 4/04;  
F21L 4/08; F21L 2005/00; F21L 7/00;  
F21L 11/00; F21L 13/00; F21L 13/04;  
F21L 13/08; F21L 14/02; F21L 17/00;  
F21L 19/00; F21L 25/00; F21L 2/00;  
F21L 4/00-4/085; F21L 15/00-15/14;  
F21L 2001/00

See application file for complete search history.

U.S. PATENT DOCUMENTS

D732,215 S *	6/2015	Su	.....	D26/37
D794,236 S *	8/2017	Kovacik	.....	D26/42
D835,821 S *	12/2018	Bao	.....	D26/44
D839,462 S *	1/2019	Chen	.....	D26/42
D840,074 S *	2/2019	Bao	.....	D26/42
D840,075 S *	2/2019	Bao	.....	D26/44
D864,450 S *	10/2019	Chen	.....	D26/42
D879,344 S *	3/2020	Bao	.....	D26/42

\* cited by examiner

*Primary Examiner* — Lakiya G Rogers

*Assistant Examiner* — Carissa C Fitts

(74) *Attorney, Agent, or Firm* — JCIPRNET

(57) **CLAIM**

The ornamental design for a work lamp, as shown and described.

**DESCRIPTION**

FIG. 1 is a perspective view of a work lamp showing my new design;

FIG. 2 is a front view thereof;

FIG. 3 is a rear view thereof;

FIG. 4 is a left side view thereof;

FIG. 5 is a right side view thereof;

FIG. 6 is an enlarged top view thereof;

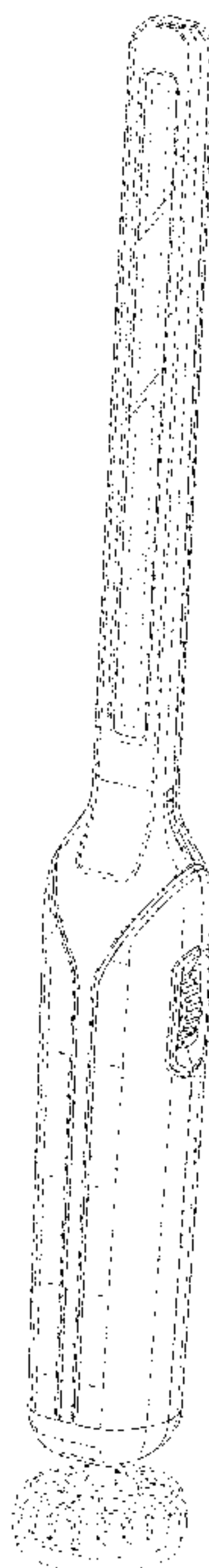
FIG. 7 is an enlarged bottom view thereof;

FIG. 8 is a perspective view thereof with the hook rotated out; and,

FIG. 9 is a perspective view thereof with the lower portion rotated into a tilt.

The broken lines show unclaimed portions of the article and form no part of the claimed design.

**1 Claim, 6 Drawing Sheets**



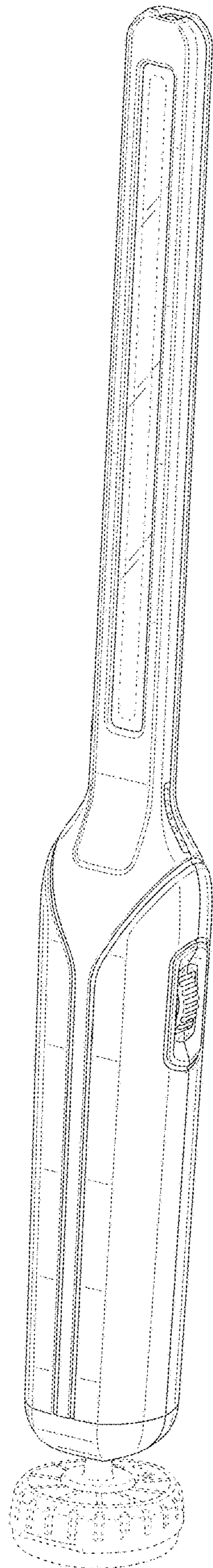


FIG. 1

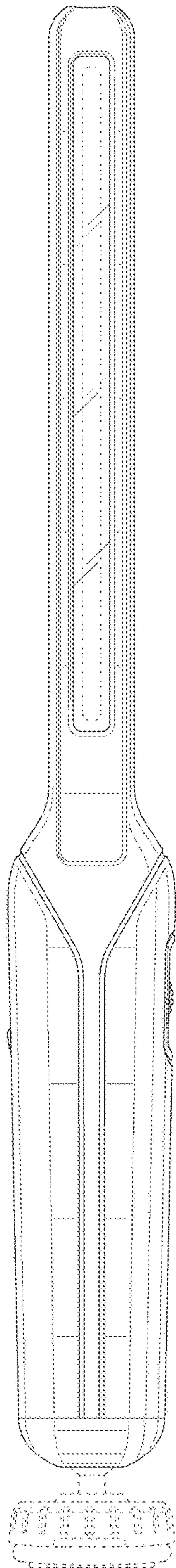


FIG. 2

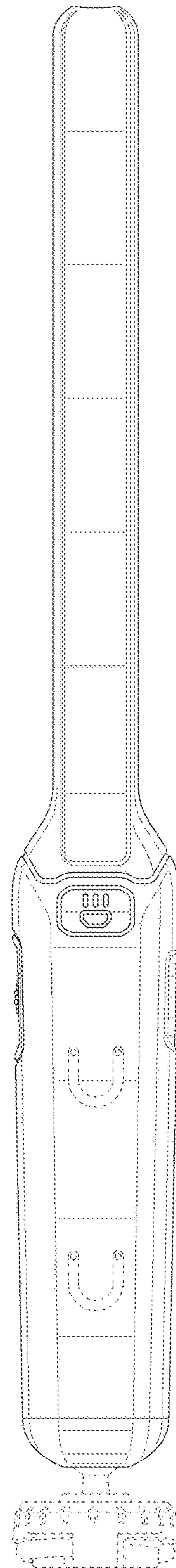


FIG. 3

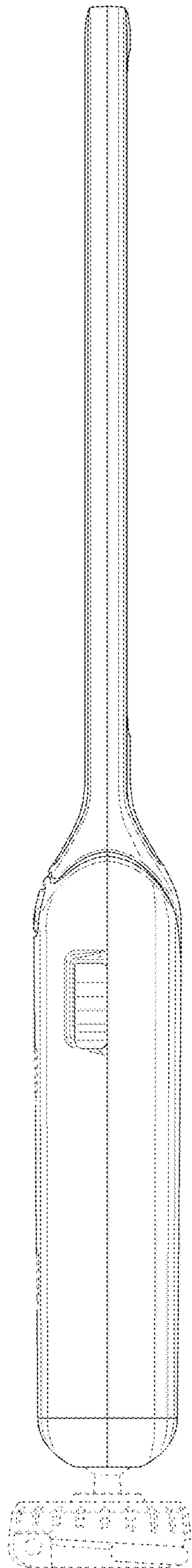


FIG. 4

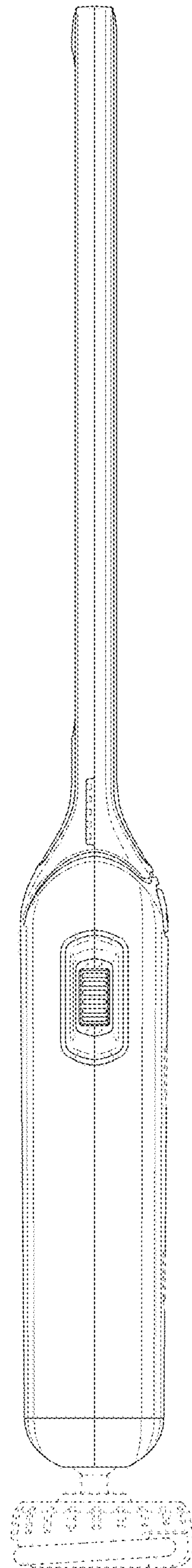


FIG. 5



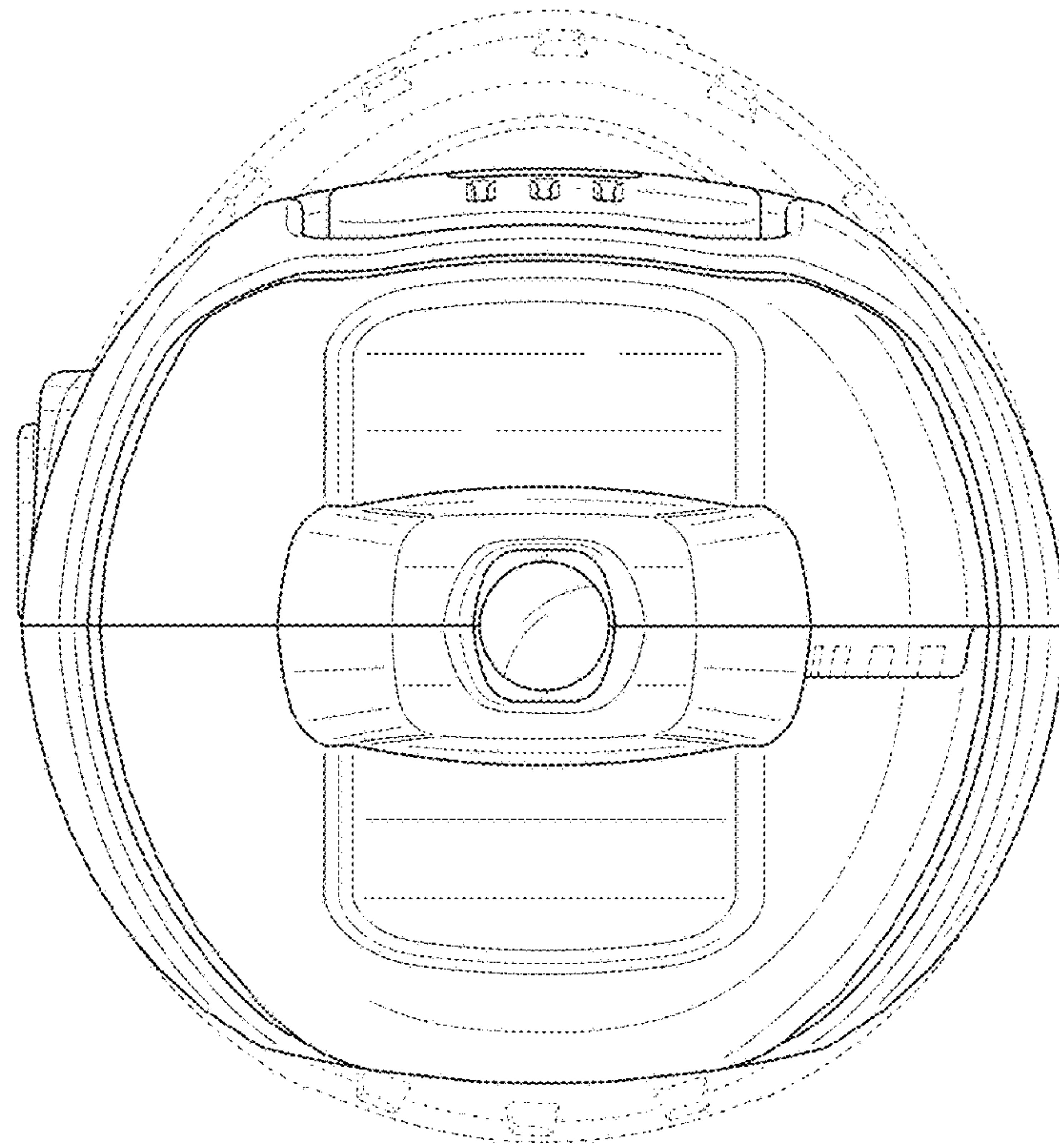


FIG. 6

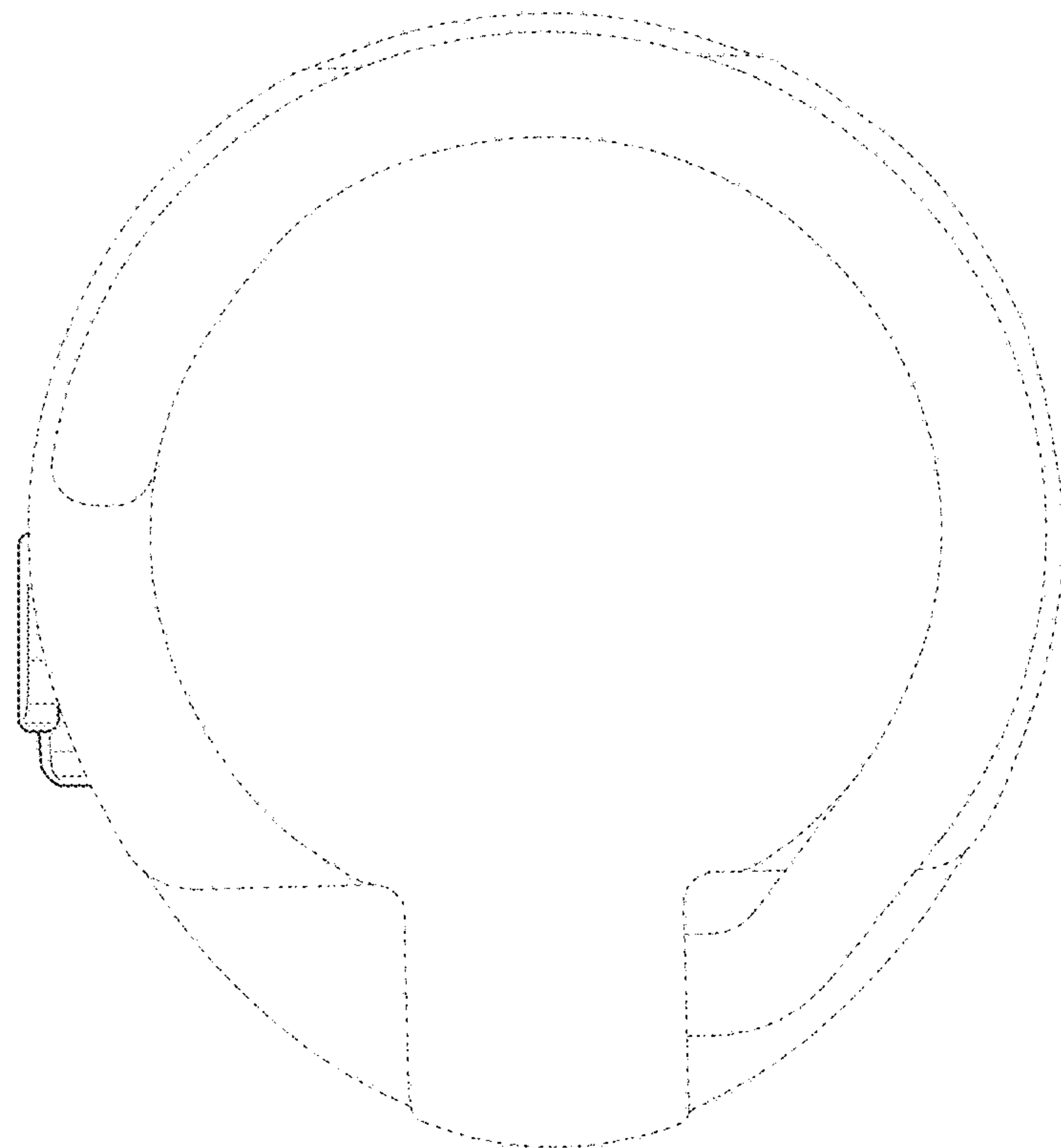


FIG. 7

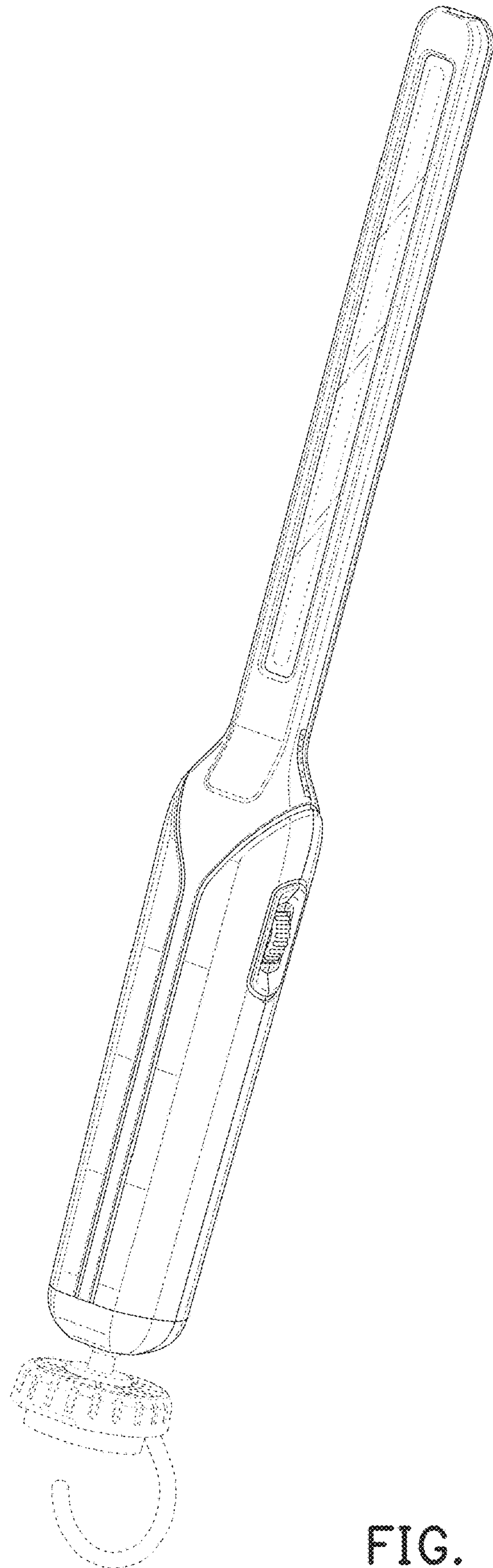


FIG. 8

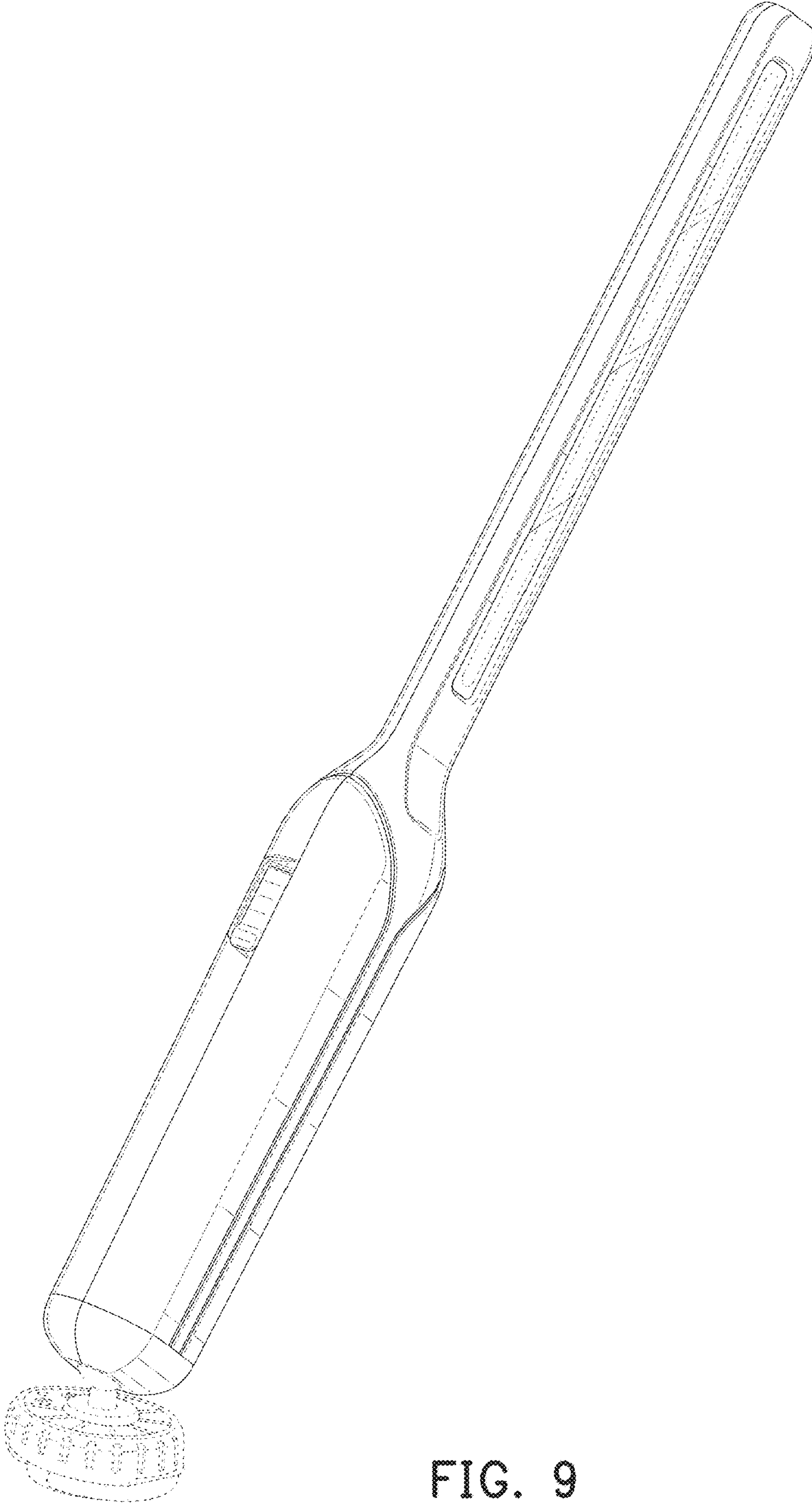


FIG. 9