

US00D904657S

(12) **United States Design Patent** (10) **Patent No.:** **US D904,657 S**
Proeber et al. (45) **Date of Patent:** **** Dec. 8, 2020**

(54) **LIGHT**

(71) Applicant: **MILWAUKEE ELECTRIC TOOL CORPORATION**, Brookfield, WI (US)

(72) Inventors: **David Proeber**, Milwaukee, WI (US);
Bennett W. Westling, Milwaukee, WI (US)

(73) Assignee: **Milwaukee Electric Tool Corporation**, Brookfield, WI (US)

(**) Term: **15 Years**

(21) Appl. No.: **29/645,641**

(22) Filed: **Apr. 27, 2018**

(51) **LOC (12) Cl.** **26-02**

(52) **U.S. Cl.**
USPC **D26/42**

(58) **Field of Classification Search**
USPC D26/37-51
CPC F21L 2003/00; F21L 4/00; F21L 4/005;
F21L 4/02; F21L 4/025; F21L 4/027;
F21L 4/04; F21L 4/08; F21L 2005/00;
F21L 7/00; F21L 11/00; F21L 13/00;
F21L 13/04; F21L 13/08; F21L 14/02;
F21L 17/00; F21L 19/00; F21L 25/00

See application file for complete search history.

(56) **References Cited**

U.S. PATENT DOCUMENTS

6,095,661 A 8/2000 Lebens et al.
6,231,370 B1 5/2001 Morin et al.
6,305,818 B1 10/2001 Lebens et al.
6,488,390 B1 12/2002 Lebens et al.
6,573,659 B2 6/2003 Toma et al.
6,808,287 B2 10/2004 Lebens et al.
7,186,000 B2 3/2007 Lebens et al.
7,186,002 B2 3/2007 Matthews et al.
7,196,477 B2 3/2007 Richmond

D541,962 S * 5/2007 Bayat D26/42
D544,620 S * 6/2007 Son D26/37
D554,781 S * 11/2007 Shiu D26/37
7,344,270 B2 3/2008 Kim
7,393,119 B2 7/2008 Lebens et al.
7,429,827 B2 9/2008 Richmond
7,517,107 B2 4/2009 Dallas et al.
7,740,371 B1 6/2010 Lebens et al.
7,850,330 B2 12/2010 Spartano et al.
7,888,883 B2 2/2011 Crawford et al.
7,942,553 B2 5/2011 Huang
7,959,317 B2 6/2011 Spartano et al.
8,063,607 B2 11/2011 Crawford et al.

(Continued)

FOREIGN PATENT DOCUMENTS

CN 1230040 C 11/2005
CN 101146388 A 3/2008

(Continued)

Primary Examiner — Lakiya G Rogers

Assistant Examiner — Carissa C Fitts

(74) *Attorney, Agent, or Firm* — Michael Best & Friedrich LLP

(57) **CLAIM**

We claim the ornamental design for a light, as shown and described.

DESCRIPTION

FIG. 1 is a perspective view of a light embodying the invention.

FIG. 2 is a rear view of the light of FIG. 1.

FIG. 3 is a front view of the light of FIG. 1.

FIG. 4 is a first side view of the light of FIG. 1.

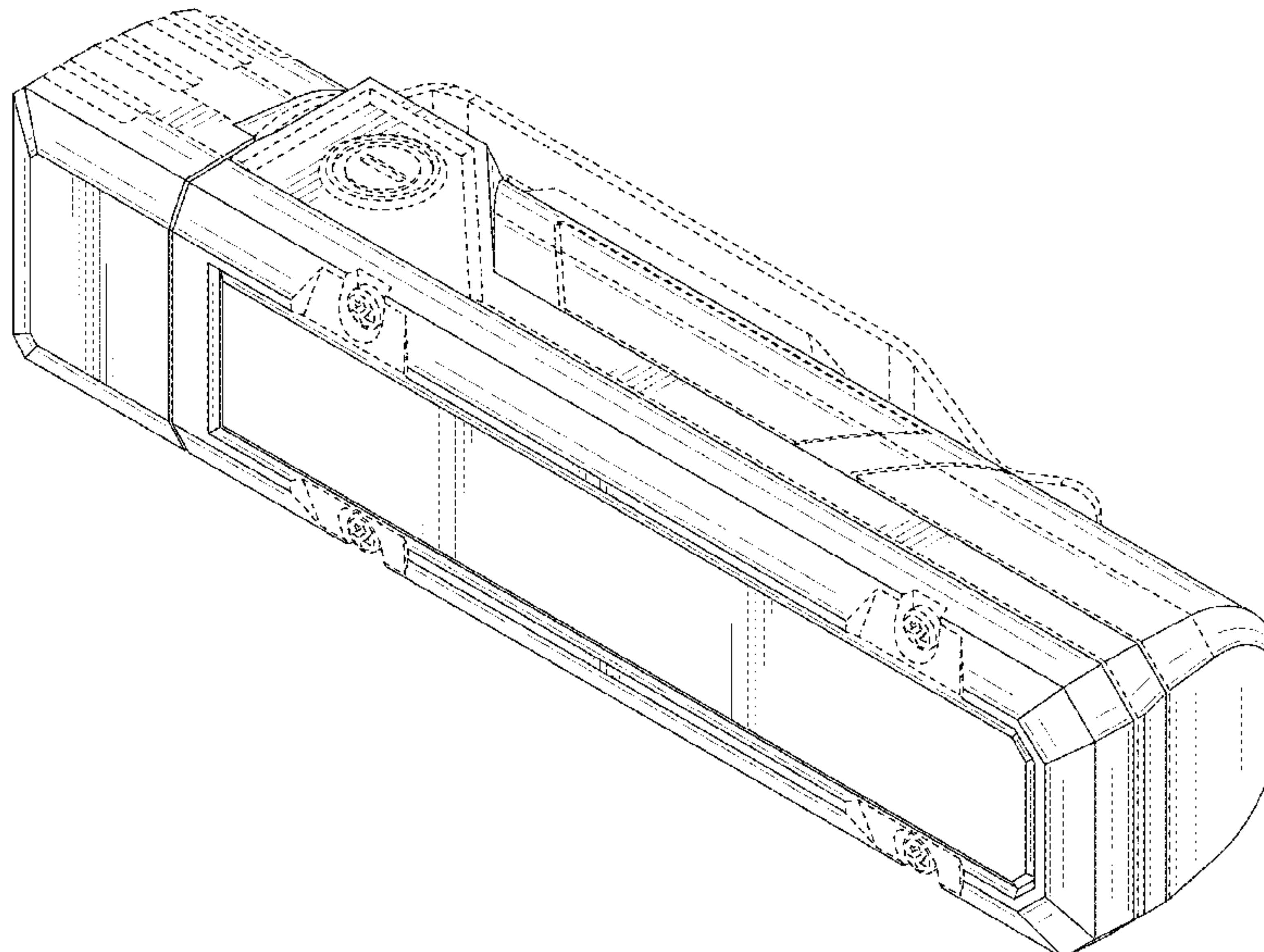
FIG. 5 is a second side view of the light of FIG. 1.

FIG. 6 is a first end view of the light of FIG. 1; and,

FIG. 7 is a second end view of the light of FIG. 1.

The broken lines depict portions of the light that form no part of the claimed design.

1 Claim, 7 Drawing Sheets



(56)

References Cited

U.S. PATENT DOCUMENTS

8,104,915 B1 1/2012 Osterhout et al.
 8,115,492 B2 2/2012 Crawford et al.
 8,120,268 B2 2/2012 Spartano et al.
 8,134,300 B2 3/2012 Maglica et al.
 8,159,146 B1 4/2012 Lebens et al.
 8,197,085 B2 6/2012 Spartano
 8,324,836 B2 12/2012 Crawford et al.
 8,362,700 B2 1/2013 Richmond
 8,362,712 B1 1/2013 Lebens et al.
 8,414,142 B2 4/2013 Tucker et al.
 8,628,210 B2 1/2014 Tucker et al.
 8,643,305 B2 2/2014 Lebens et al.
 8,717,034 B2 5/2014 Crawford et al.
 8,727,561 B2 5/2014 Sharrah et al.
 D708,376 S * 7/2014 Crowe D26/37
 8,779,683 B2 7/2014 Snyder et al.
 8,810,191 B2 8/2014 Maldonado
 D713,076 S * 9/2014 von Waldthausen D26/37
 8,829,808 B1 9/2014 Lebens et al.
 8,853,951 B2 10/2014 Garcia
 D721,841 S * 1/2015 Kwon D26/37
 8,975,822 B2 3/2015 Maglica et al.
 D731,687 S * 6/2015 Haws D26/46
 9,101,022 B2 8/2015 Hoffman et al.
 9,119,266 B1 8/2015 Lebens et al.
 D739,063 S * 9/2015 Su D26/42
 D742,568 S * 11/2015 Abernethy D26/42
 9,179,520 B2 11/2015 Trattler
 9,252,613 B2 2/2016 Kugel et al.
 D757,318 S * 5/2016 Evans D26/46
 D764,087 S * 8/2016 Workman D26/37
 D766,477 S * 9/2016 Ma D26/37
 9,447,951 B2 9/2016 Maglica et al.
 9,549,454 B2 1/2017 Maglica et al.

9,801,256 B2 10/2017 Maglica et al.
 D805,666 S * 12/2017 Nguyen D26/37
 D806,923 S * 1/2018 Koshiba D26/42
 D810,335 S * 2/2018 Levy D26/37
 D819,245 S * 5/2018 Garza F21S 8/033
 D821,007 S * 6/2018 Chen D26/39
 D831,248 S * 10/2018 Kuhls D26/37
 D854,207 S * 7/2019 Zheng D26/44
 D855,228 S * 7/2019 Cooper D26/44
 D857,958 S * 8/2019 Willows D26/38
 D858,830 S * 9/2019 Grandadam D26/37
 D858,831 S * 9/2019 Proeber D26/37
 D858,833 S * 9/2019 Cooper D26/43
 D858,837 S * 9/2019 Vasquez D26/60
 D861,209 S * 9/2019 Cooper D26/37
 2003/0234778 A1 12/2003 Kim
 2006/0043911 A1 3/2006 Shao et al.
 2010/0084997 A1 4/2010 Oberzeir et al.
 2012/0033412 A1 2/2012 Molina et al.
 2012/0182723 A1 7/2012 Sharrah et al.
 2012/0286940 A1 11/2012 Carmen, Jr. et al.
 2015/0131276 A1 5/2015 Thompson et al.
 2015/0267902 A1 9/2015 Zhang
 2016/0128151 A1 5/2016 Luick et al.
 2017/0284646 A1 10/2017 Arena et al.
 2018/0027627 A1 1/2018 Maglica et al.

FOREIGN PATENT DOCUMENTS

CN 201360368 Y 12/2009
 CN 203942676 U 11/2014
 EP 2827684 A1 1/2015
 WO 2012158383 A2 11/2012
 WO 2016134396 A2 9/2016
 WO 2017031586 A1 3/2017

* cited by examiner

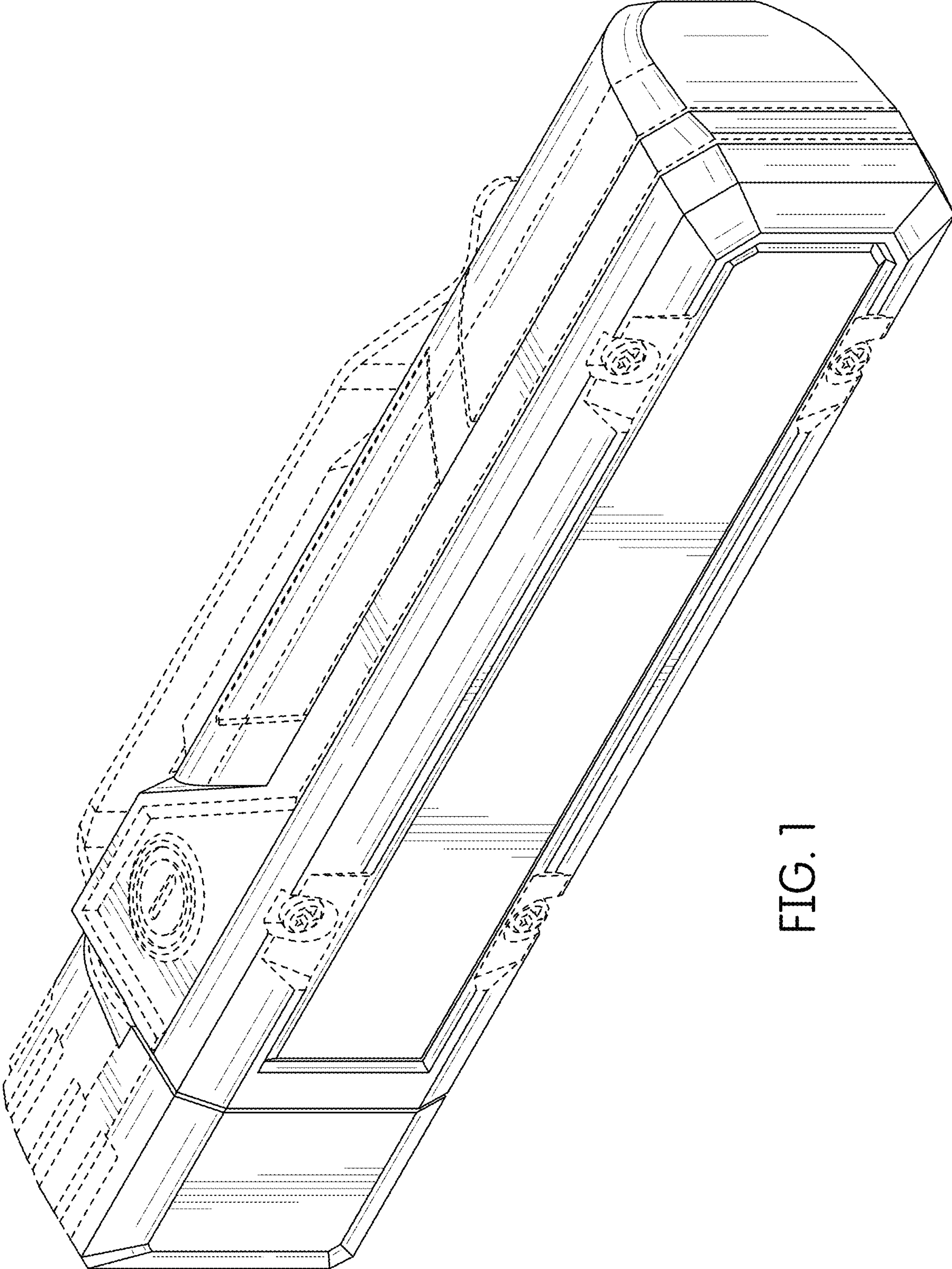


FIG. 1

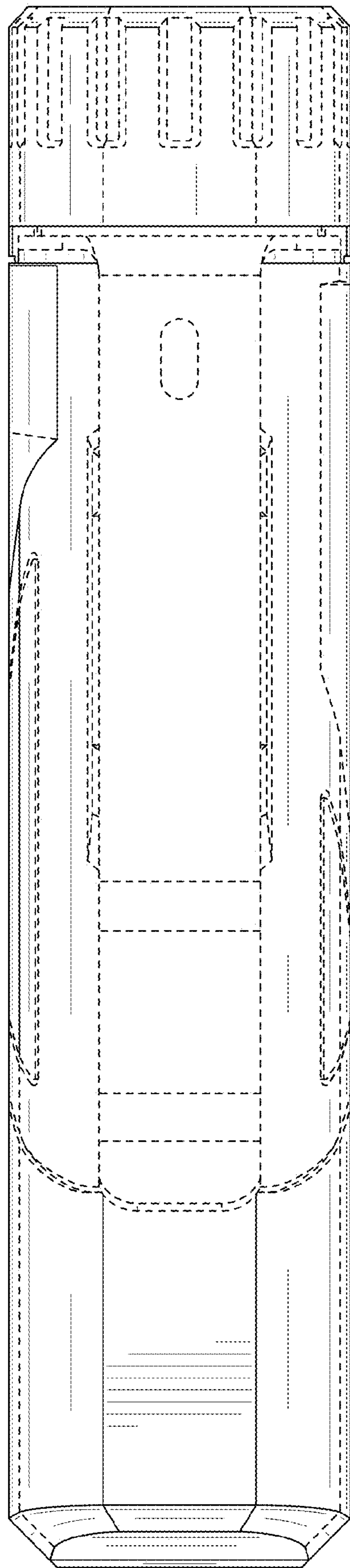


FIG. 2

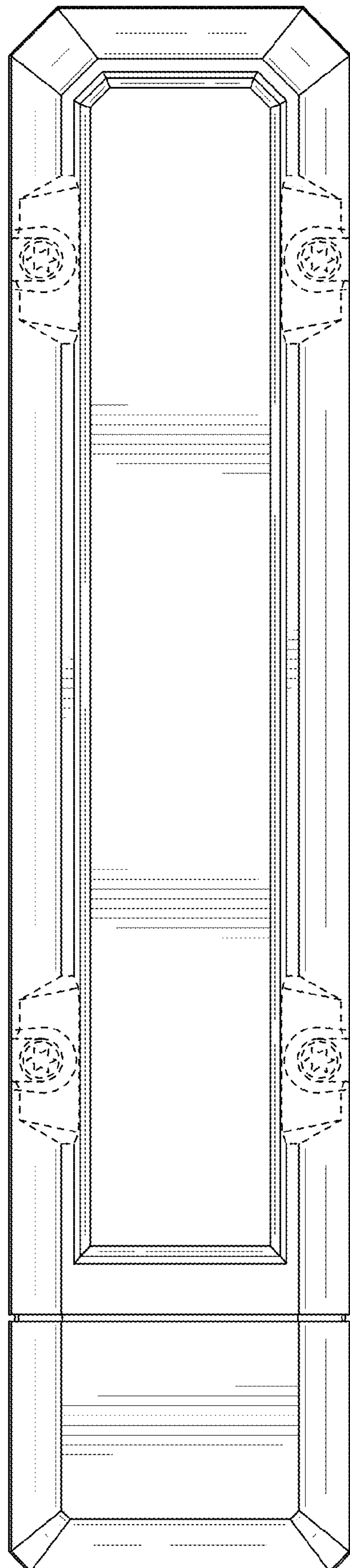


FIG. 3

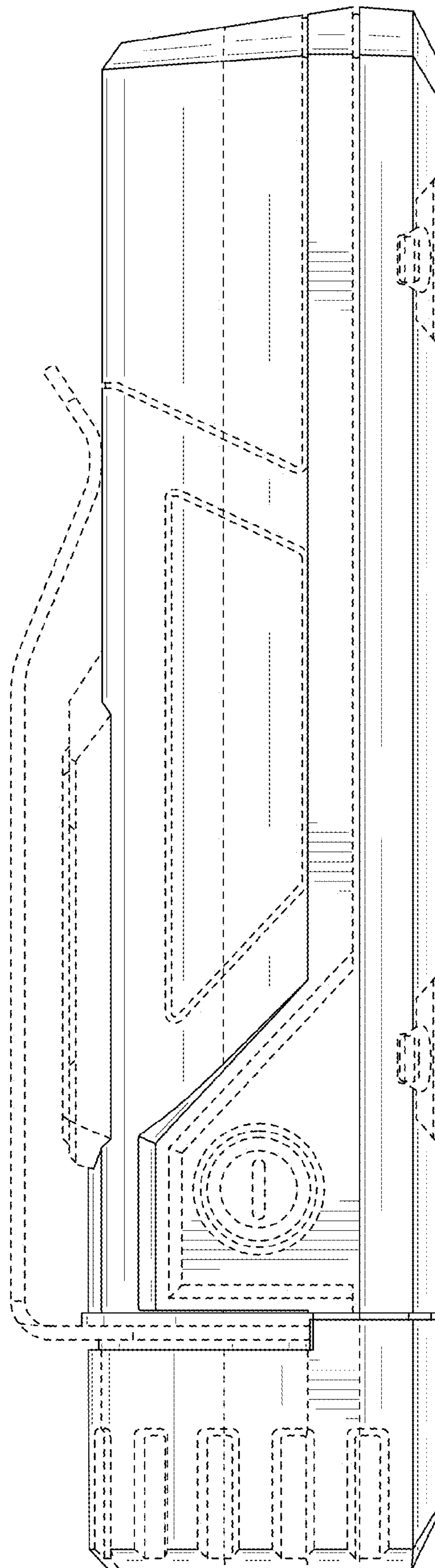


FIG. 4

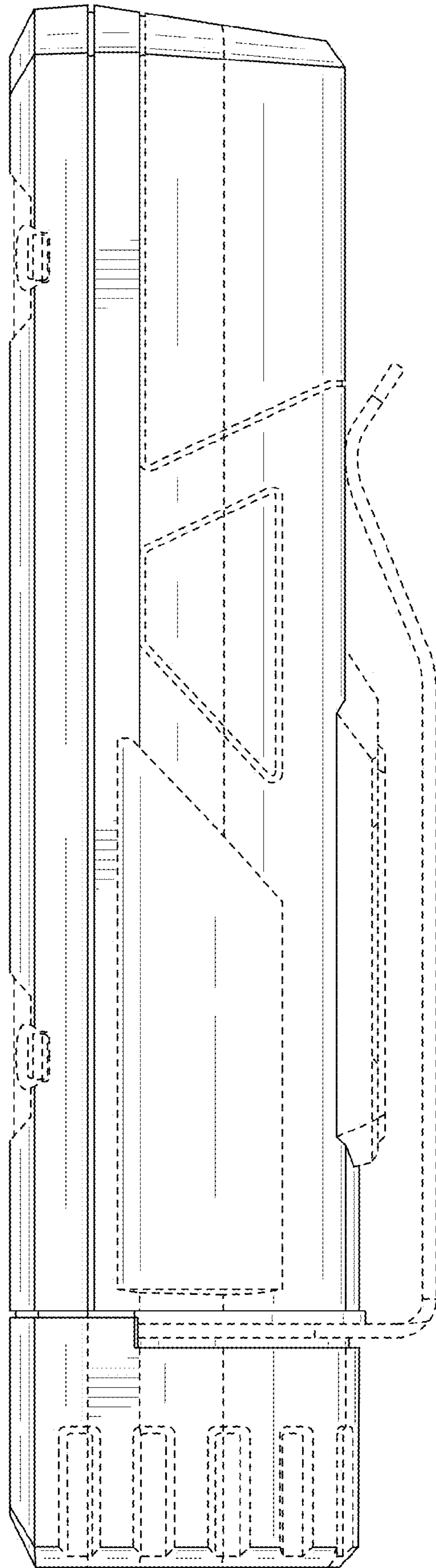


FIG. 5

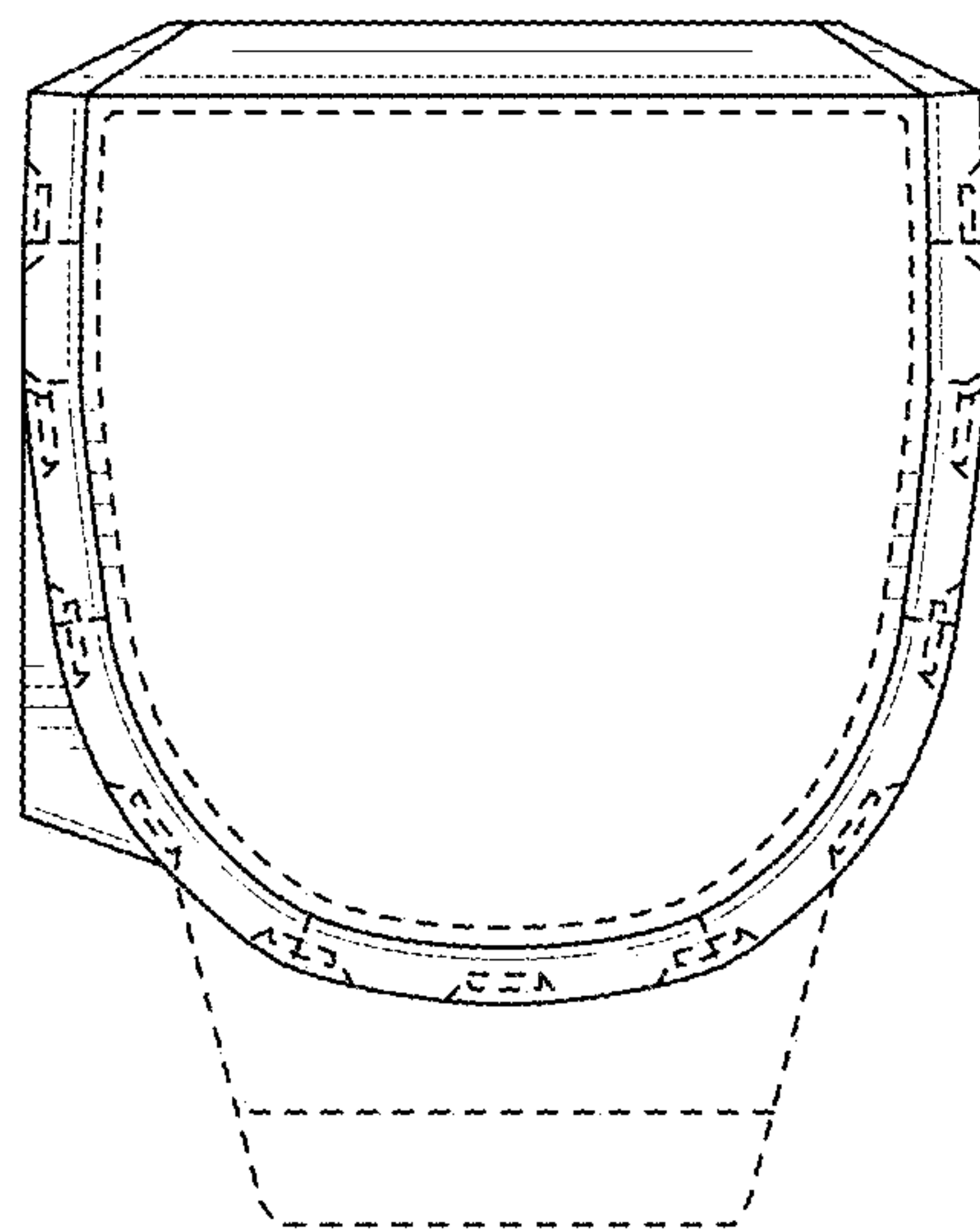


FIG. 6

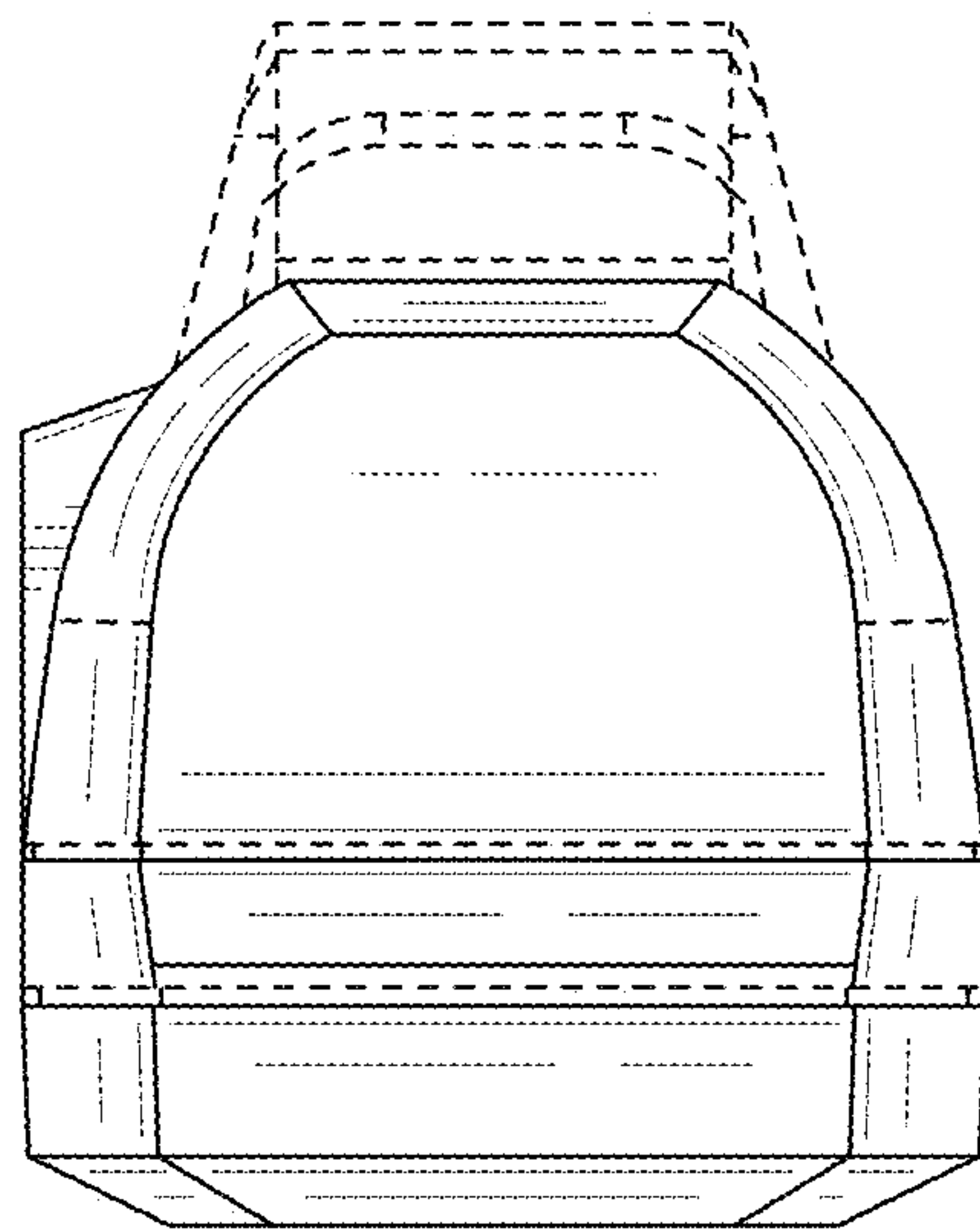


FIG. 7