



US00D904656S

(12) **United States Design Patent** (10) **Patent No.:** **US D904,656 S**  
**Christensen** (45) **Date of Patent:** **\*\* Dec. 8, 2020**

- (54) **LANTERN LIGHT**
- (71) Applicant: **Simple Products Corporation**, Draper, UT (US)
- (72) Inventor: **Brian Christensen**, Draper, UT (US)
- (73) Assignee: **Simple Products Corporation**, Draper, UT (US)
- (\*\*) Term: **15 Years**
- (21) Appl. No.: **29/641,262**
- (22) Filed: **Mar. 20, 2018**
- (51) **LOC (12) Cl.** ..... **26-02**
- (52) **U.S. Cl.**  
USPC ..... **D26/41**
- (58) **Field of Classification Search**  
USPC ..... D26/37-51  
CPC ..... F21L 2003/00; F21L 4/00; F21L 4/005;  
F21L 4/02; F21L 4/025; F21L 4/027;  
F21L 4/04; F21L 4/08; F21L 2005/00;  
F21L 7/00; F21L 11/00; F21L 13/00;  
F21L 13/04; F21L 13/08; F21L 14/02;  
F21L 17/00; F21L 19/00; F21L 25/00  
See application file for complete search history.

(56) **References Cited**

**U.S. PATENT DOCUMENTS**

D326,927 S	6/1992	Catalina	
D333,012 S	2/1993	Fleming	
D345,814 S	4/1994	Wright, III	
D422,744 S	4/2000	Losole, III	
D422,745 S	4/2000	Losole, III	
D483,892 S	* 12/2003	Poon	D26/40
D529,647 S	* 10/2006	Shiu	D26/40
D531,746 S	11/2006	Zhu	
D535,419 S	* 1/2007	Shiu	D26/40
D535,771 S	* 1/2007	Shiu	D26/40
D537,968 S	* 3/2007	Shiu	D26/40

D547,891 S	* 7/2007	Shiu	D26/40
D548,391 S	8/2007	Lecluze	
D548,865 S	* 8/2007	Meoli	D26/40
D553,282 S	10/2007	Zhu	
D559,418 S	* 1/2008	Poon	D26/40
D568,515 S	5/2008	Liu	
D570,511 S	6/2008	Shiu	
D575,429 S	* 8/2008	Shiu	D26/40
D581,586 S	11/2008	Conroy	
D596,772 S	7/2009	Chang	
D625,448 S	10/2010	Brown et al.	
D629,940 S	12/2010	Osterhout	
D636,511 S	4/2011	Cen	
D641,901 S	7/2011	Opolka	
D643,561 S	8/2011	Maglica	
D650,104 S	* 12/2011	Brands	D26/41
D667,578 S	9/2012	Milz et al.	

(Continued)

*Primary Examiner* — Lakiya G Rogers

*Assistant Examiner* — Carissa C Fitts

(74) *Attorney, Agent, or Firm* — Thorpe North & Western, LLP

(57) **CLAIM**

The ornamental design for a lantern light, as shown and described.

**DESCRIPTION**

FIG. 1 is a front view of a lantern light in accordance with my invention;

FIG. 2 is a back view thereof;

FIG. 3 is a left view thereof;

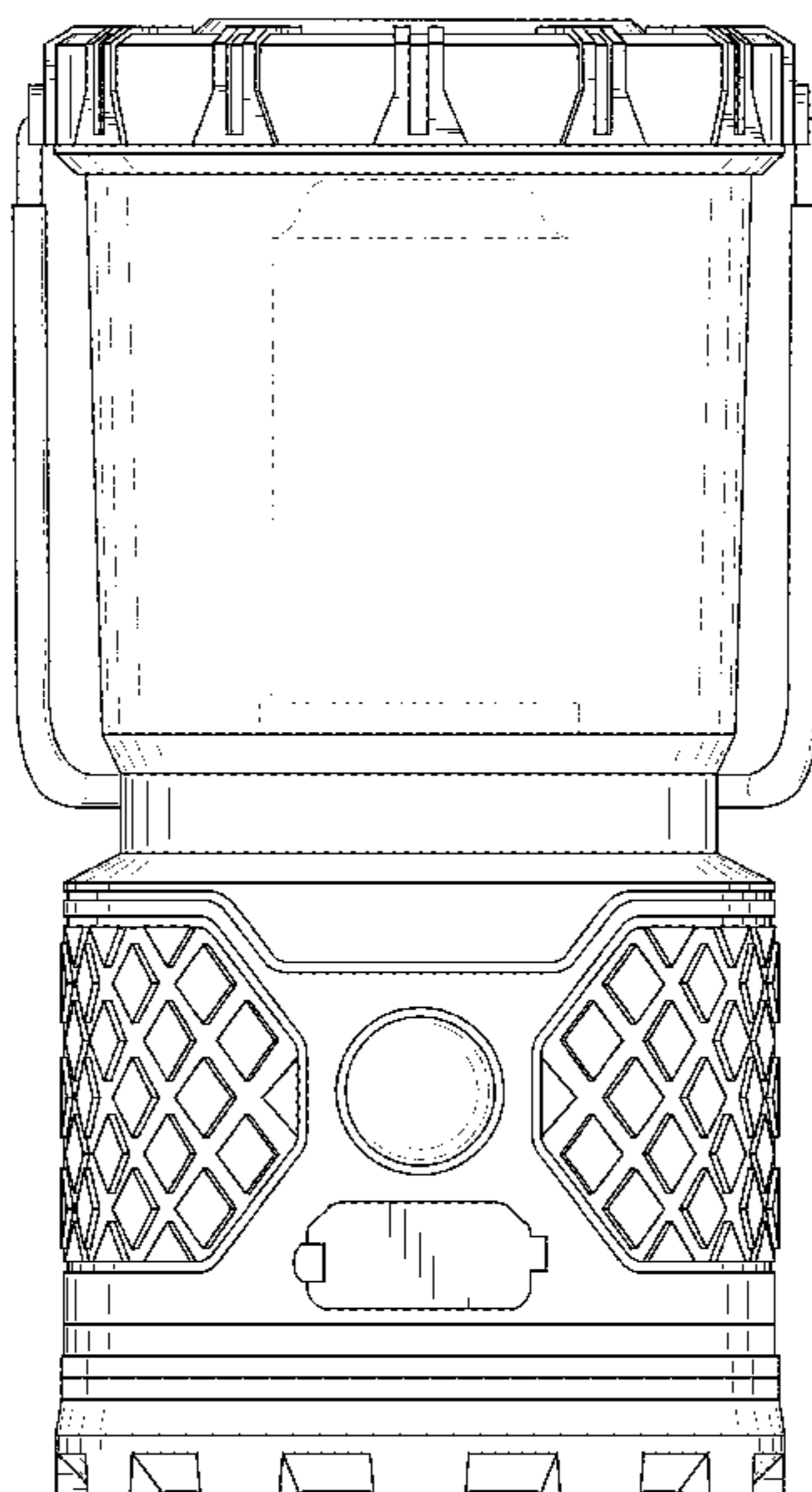
FIG. 4 is a right view thereof;

FIG. 5 is a top view thereof; and,

FIG. 6 is a bottom view thereof.

The long-short dash broken lines in FIGS. 1-4 show the light element behind the lens portion. The evenly dashed broken lines in FIG. 5 show recessed details. All broken lines show portions of the Lantern Light which form no part of the claimed design.

**1 Claim, 6 Drawing Sheets**



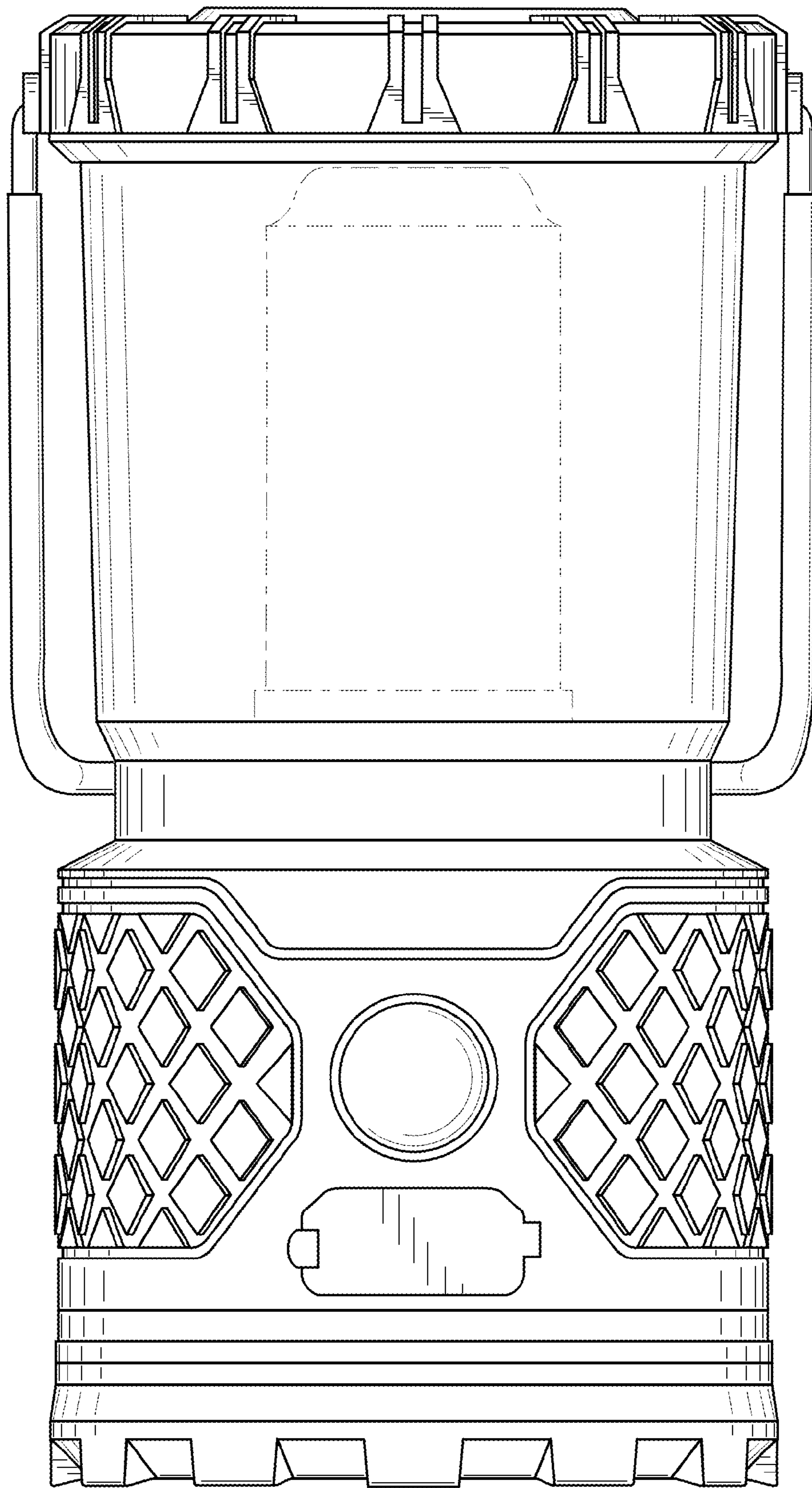
(56)

**References Cited**

U.S. PATENT DOCUMENTS

D673,315	S	12/2012	Milz et al.	
D706,476	S	6/2014	Lee	
D707,378	S *	6/2014	Shiu .....	D26/41
D709,232	S	7/2014	Inskeep	
D709,643	S	7/2014	Kohler et al.	
D710,526	S	8/2014	Lee	
D717,481	S	11/2014	Yong	
D726,945	S	4/2015	Kunzendorf	
D743,601	S	11/2015	Maglica	
9,217,547	B2 *	12/2015	Sharrah .....	F21L 4/005
D749,254	S	2/2016	Robinson et al.	
D752,273	S	3/2016	Pratt et al.	
D777,371	S	1/2017	Yang	
D784,601	S	4/2017	Yang	
D786,466	S	5/2017	Prieto	
D794,237	S	8/2017	Christensen	
D794,857	S	8/2017	Sharrah et al.	
D799,089	S	10/2017	Green	
D805,668	S	12/2017	Shirley et al.	
D809,687	S *	2/2018	Krantz .....	D26/40
D809,688	S *	2/2018	Christensen .....	D26/41
D810,337	S	2/2018	Eichelberger	
D818,185	S	5/2018	Wilson	
D818,622	S	5/2018	Kunzendorf	
D823,506	S *	7/2018	Shiu .....	D26/40
D827,894	S	9/2018	Huang	
D844,201	S *	3/2019	Khubani .....	D26/40
D850,683	S *	6/2019	Shelton .....	D26/41

\* cited by examiner



**FIG. 1**

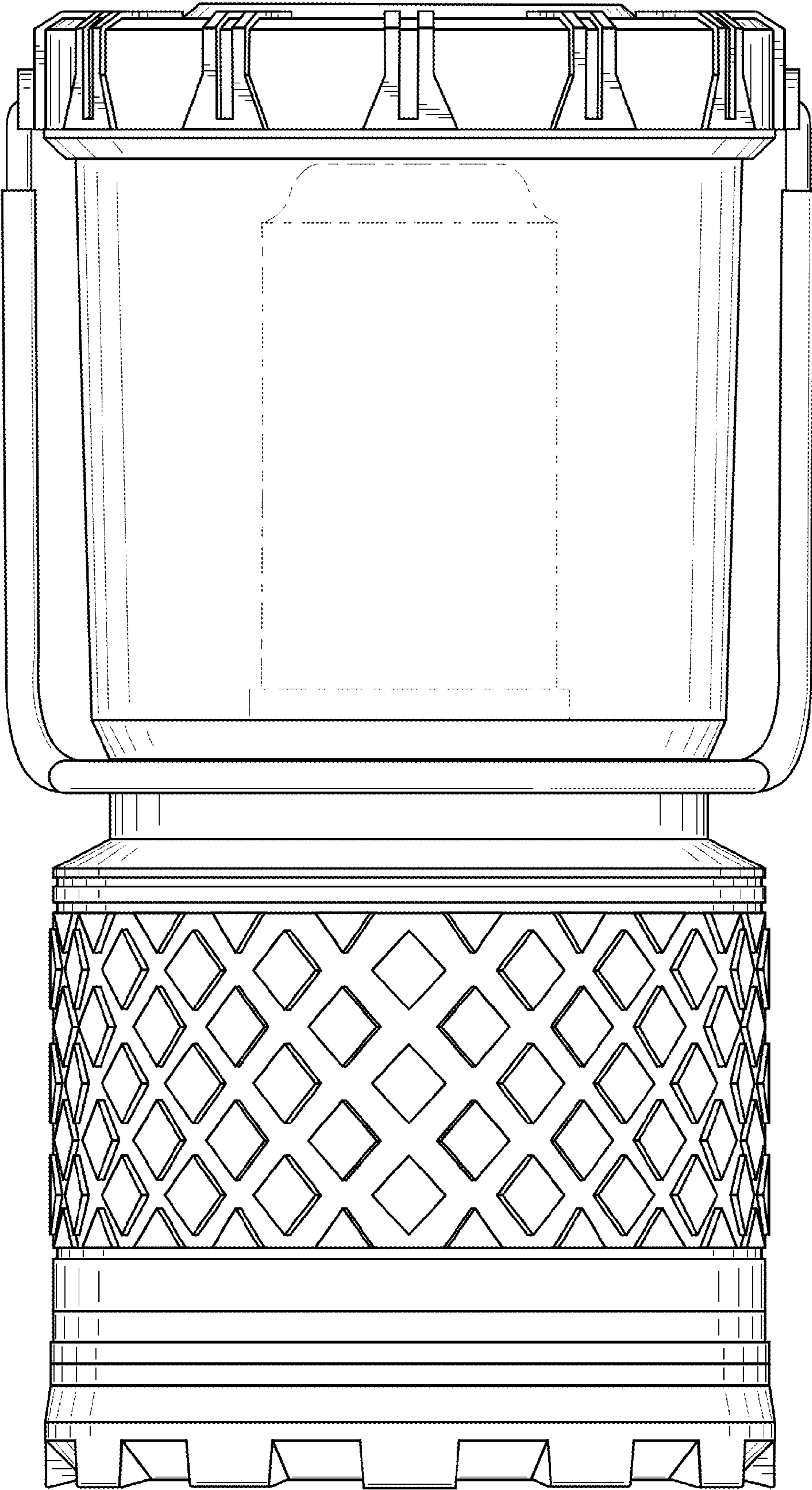
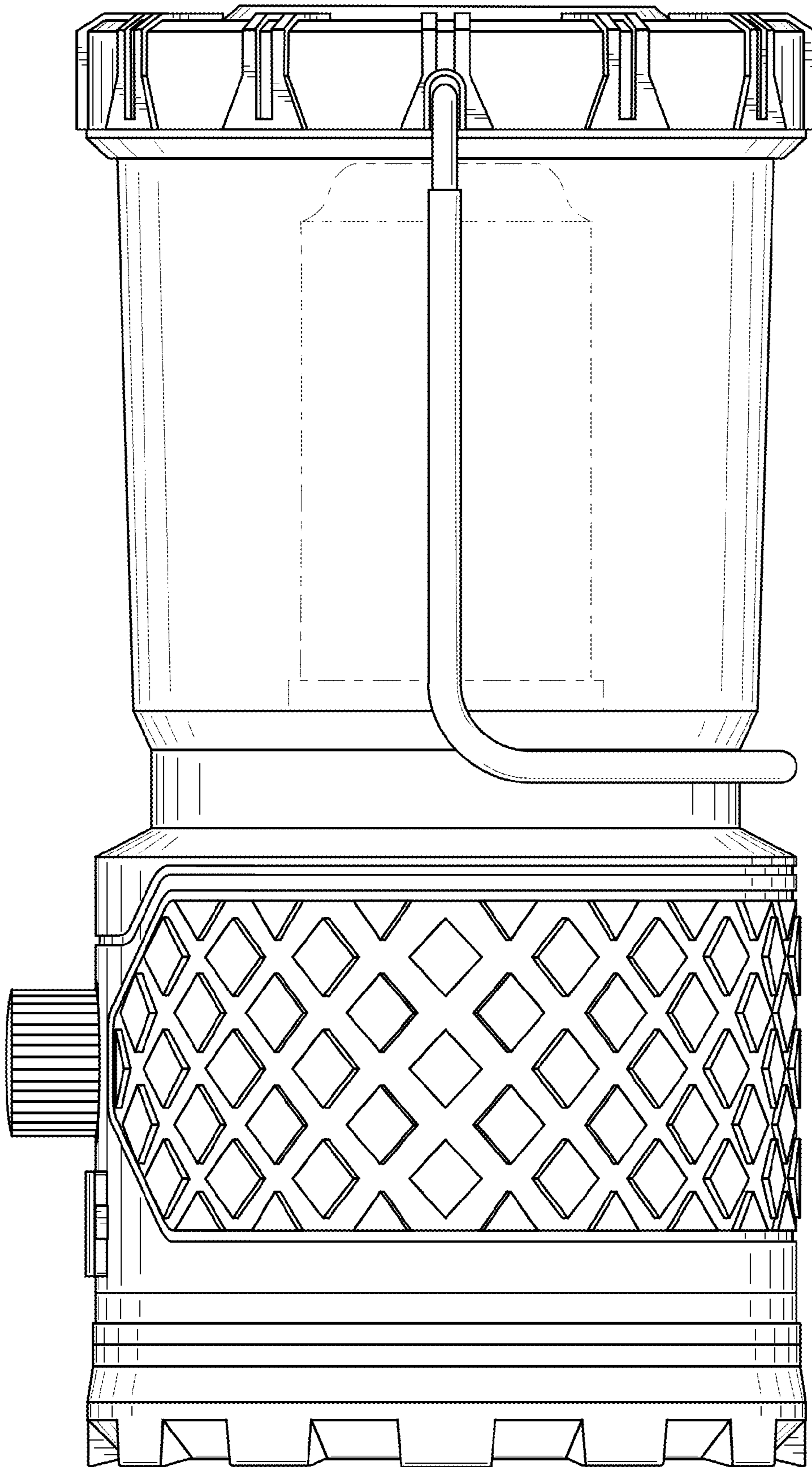
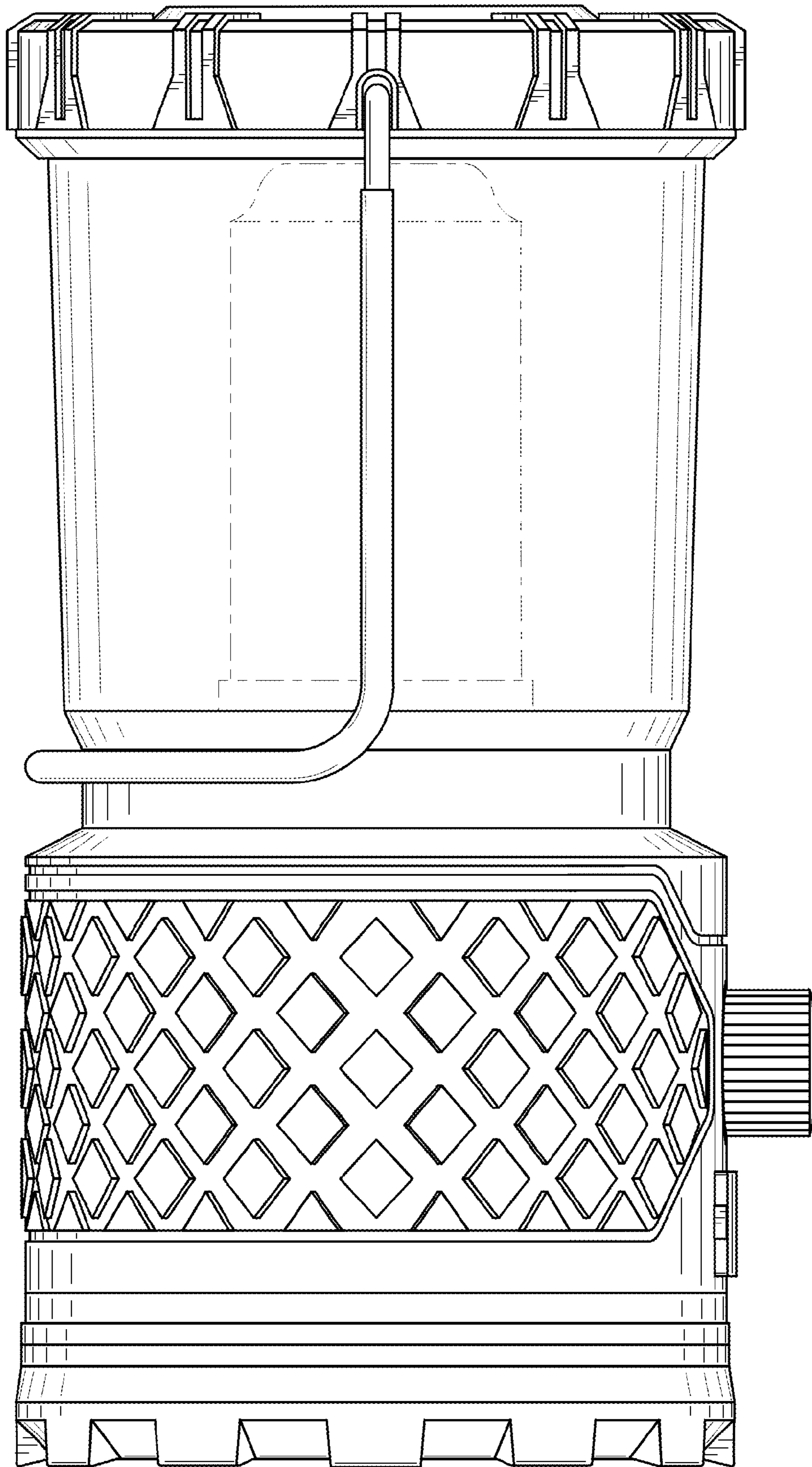


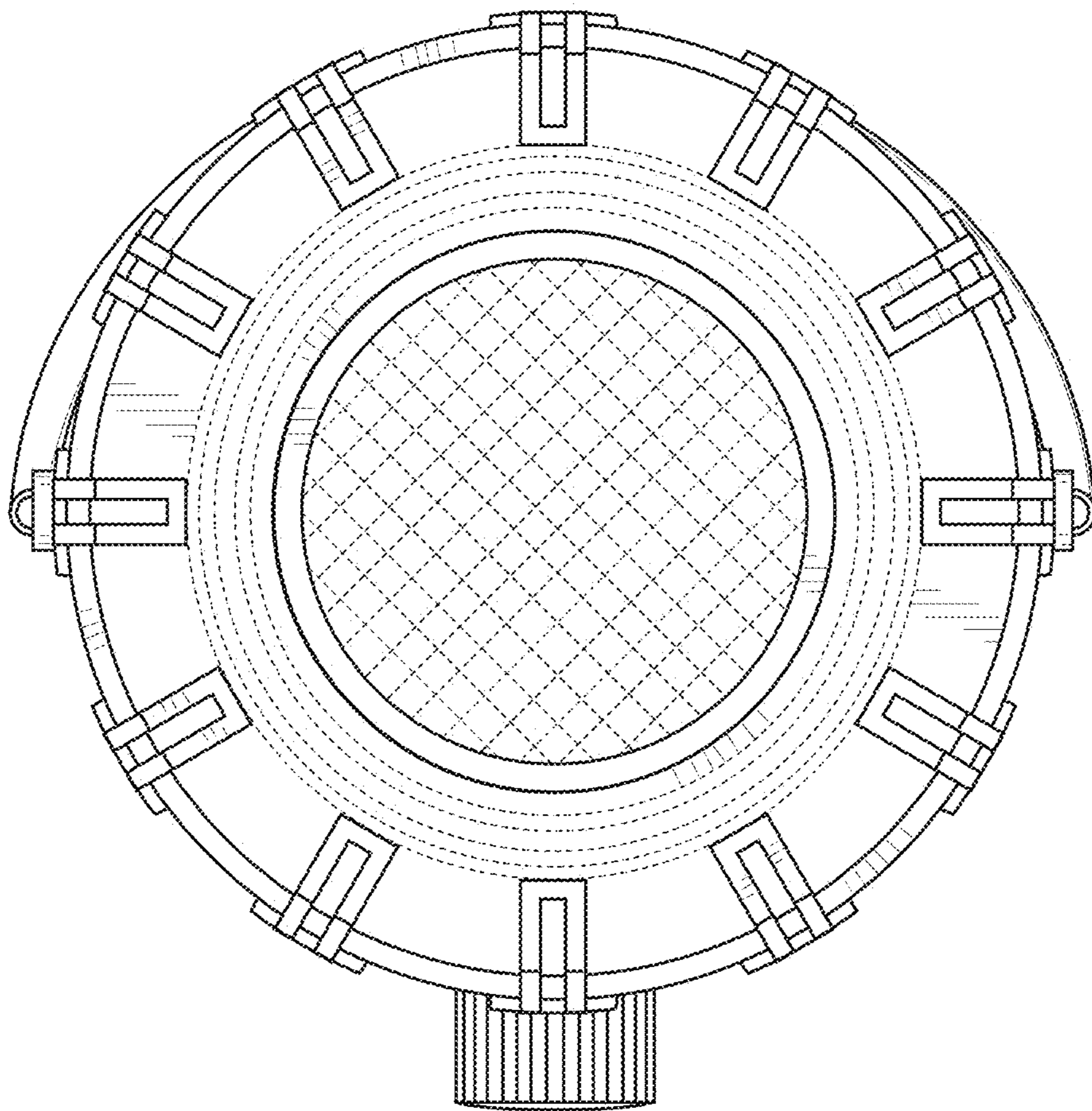
FIG. 2



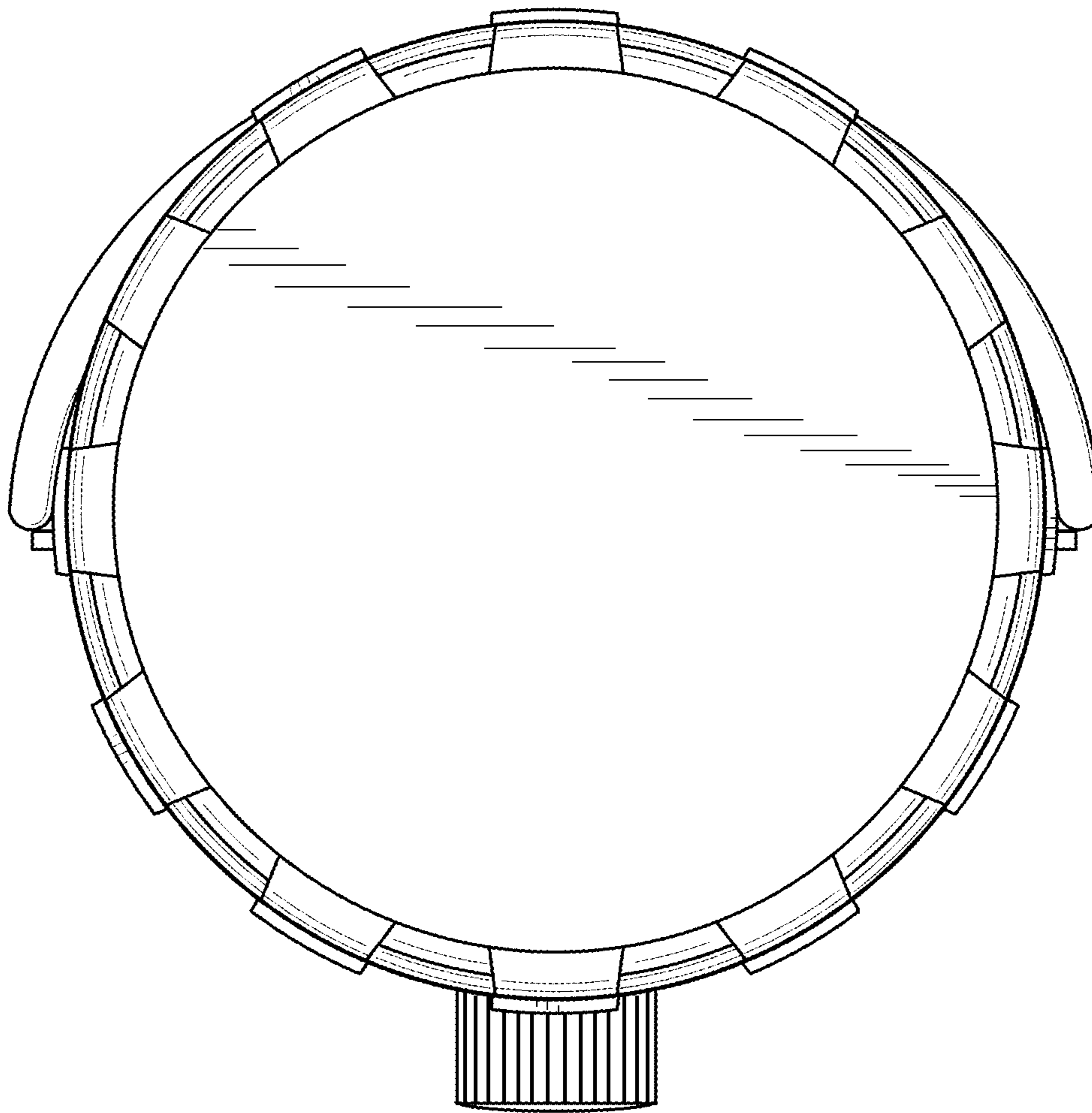
**FIG. 3**



**FIG. 4**



**FIG. 5**



**FIG. 6**