



US00D904655S

(12) **United States Design Patent** (10) **Patent No.:** **US D904,655 S**
Pontano et al. (45) **Date of Patent:** **** Dec. 8, 2020**

(54) **COMBINED ELECTRIC LANTERN AND FLASHLIGHT**

(71) Applicant: **Industrial Revolution, Inc.**, Tukwila, WA (US)

(72) Inventors: **Peter Pontano**, Seattle, WA (US); **Colin Quinn**, Seattle, WA (US); **Jami Odell**, Seattle, WA (US)

(**) Term: **15 Years**

(21) Appl. No.: **29/641,251**

(22) Filed: **Mar. 20, 2018**

Related U.S. Application Data

(63) Continuation of application No. 29/550,371, filed on Jan. 3, 2016, now abandoned.

(51) **LOC (12) Cl.** **26-02**

(52) **U.S. Cl.**
USPC **D26/37**

(58) **Field of Classification Search**
USPC D26/37-38, 40, 42, 46, 49-50, 87, 362; 359/612; 362/157, 186, 191, 203, 208, 362/388, 800

CPC F21L 4/00; F21L 7/00; F21L 21/00; F21L 2/00; F21L 17/00; F21L 4/005; F21Y 2101/00; F21K 9/00; F21V 21/145; F21V 21/0816; F21V 21/0965

See application file for complete search history.

(56) **References Cited**

U.S. PATENT DOCUMENTS

3,827,914 A * 8/1974 Kaye H01M 6/38 429/116
D327,750 S * 7/1992 Klaus D26/68
(Continued)

FOREIGN PATENT DOCUMENTS

CN 301854670 * 3/2012
EM 002529479-0001 * 12/2014
(Continued)

OTHER PUBLICATIONS

Leschi 110 Lumen Lantern Flashlight, UCO, amazon.com, posted by UCO, customer review from Jul. 14, 2016 © 1996-2020 Amazon.com, Inc., online, site visited Apr. 14, 2020. Available from Internet, URL: <https://www.amazon.com/UCO-Leschi-Compact-Lantern-Flashlight/dp/B01EFTVW9E?th=1> (Year: 2016).*

Primary Examiner — Marissa J Cash

Assistant Examiner — Altaira J Swangin

(74) *Attorney, Agent, or Firm* — Seed Intellectual Property Law Group LLP; Kevin Costanza

(57) **CLAIM**

The ornamental design for a combined electric lantern and flashlight, as shown and described.

DESCRIPTION

FIG. 1 is a top perspective view of a combined electric lantern and flashlight, usable with lanyard attachment according to the present disclosure.

FIG. 2 is a bottom perspective view thereof.

FIG. 3 is a front side elevation view thereof.

FIG. 4 is a back side elevation view thereof.

FIG. 5 is a left side elevation view thereof.

FIG. 6 is a right side elevation view thereof.

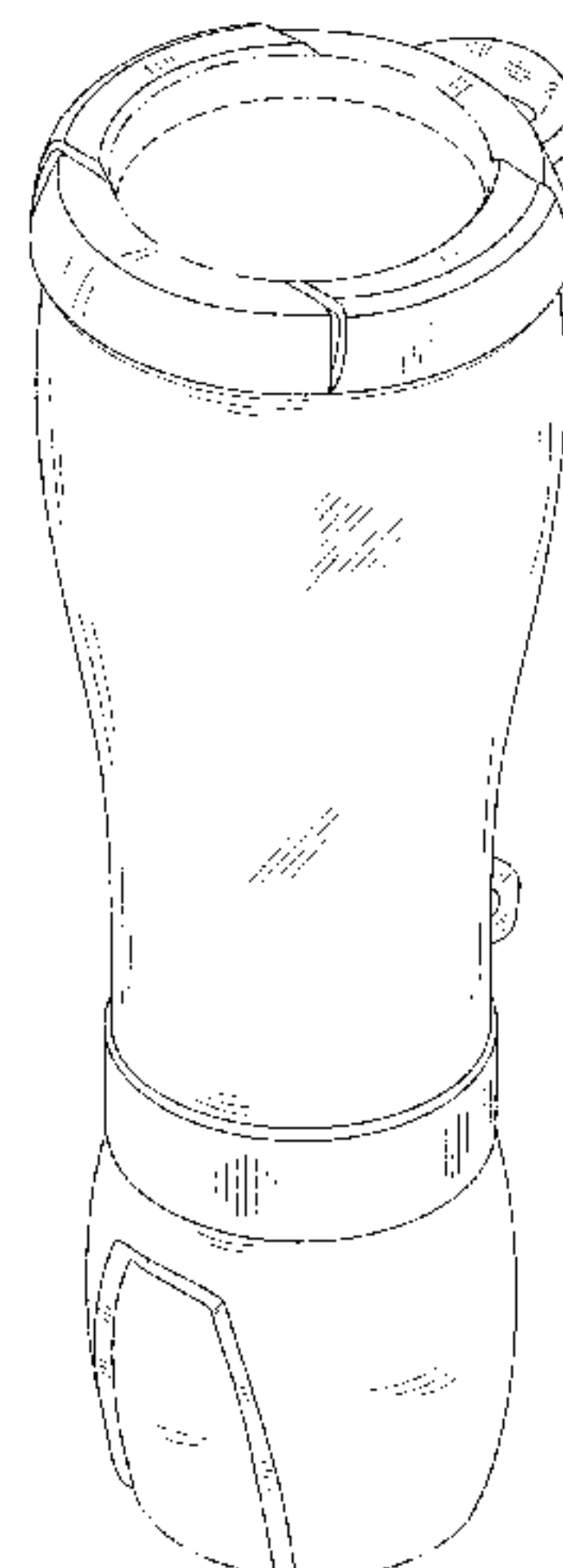
FIG. 7 is a top plan view thereof.

FIG. 8 is a bottom plan view thereof; and,

FIG. 9 is a bottom perspective view thereof, shown with the environment of an unclaimed lanyard attachment.

The ornamental design that is claimed is shown in solid lines in the drawings. The broken lines and dash-dot-dot lines form no part of the claimed design. The even-broken lines illustrate unclaimed environment, and the dash-dot-dot lines represent boundary of the claimed design within which no matter is claimed.

1 Claim, 8 Drawing Sheets



(56)

References Cited

U.S. PATENT DOCUMENTS

D391,802 S * 3/1998 Wong D7/378
 D485,928 S * 1/2004 Leung D26/40
 D496,482 S * 9/2004 Osiecki D26/49
 D532,132 S * 11/2006 Holsinger D26/40
 D532,133 S * 11/2006 Holsinger D26/40
 D546,488 S * 7/2007 Poon D26/40
 D548,523 S * 8/2007 Greenspon D7/507
 D625,448 S * 10/2010 Brown D26/49
 D666,057 S * 8/2012 Theuretzbacher D7/413
 D698,065 S * 1/2014 Macura D26/68
 D700,807 S * 3/2014 Kershaw D7/510
 D713,982 S * 9/2014 Tompkin D26/49
 D725,300 S * 3/2015 Dalton D26/40
 D726,499 S * 4/2015 Kim D7/510
 D746,500 S * 12/2015 Brown D26/49
 D747,523 S * 1/2016 Salmon D26/40
 9,638,379 B2 * 5/2017 Sun F21L 4/04
 D790,098 S * 6/2017 Esarey D26/40
 D815,770 S * 4/2018 Galipeau D26/68

D832,640 S * 11/2018 Blofeld D7/378
 D836,813 S * 12/2018 Hsu D26/68
 10,143,980 B1 * 12/2018 Marko B01F 7/00325
 D844,872 S * 4/2019 Krantz D26/40
 D873,611 S * 1/2020 Stanton D7/510
 D878,842 S * 3/2020 Wei D7/300.1
 2005/0122715 A1 * 6/2005 Furth H01M 2/1027
 362/208
 2005/0286254 A1 * 12/2005 Richardson F21V 21/06
 362/388
 2007/0172724 A1 * 7/2007 Furth H01M 2/105
 429/97
 2011/0182061 A1 * 7/2011 Loibl F21L 4/00
 362/186
 2016/0223172 A1 * 8/2016 Pontano F21V 21/145

FOREIGN PATENT DOCUMENTS

EM 003260884-0001 * 10/2016
 JP D1570035 * 2/2017

* cited by examiner

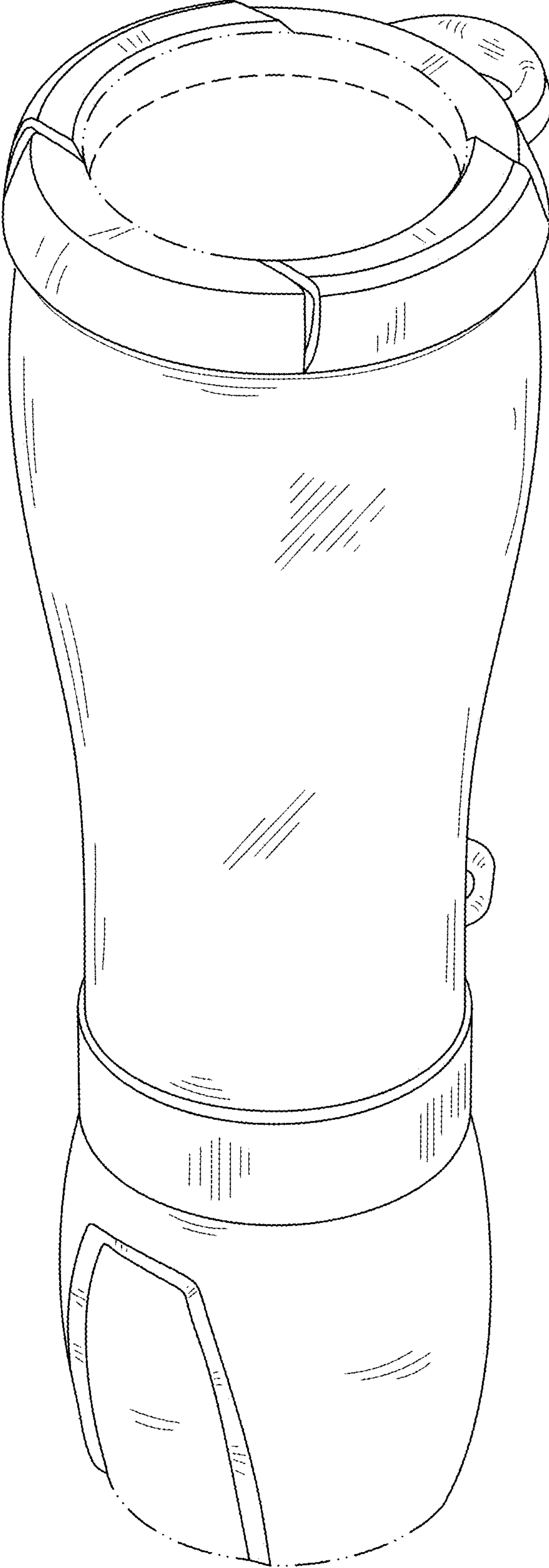


FIG. 1

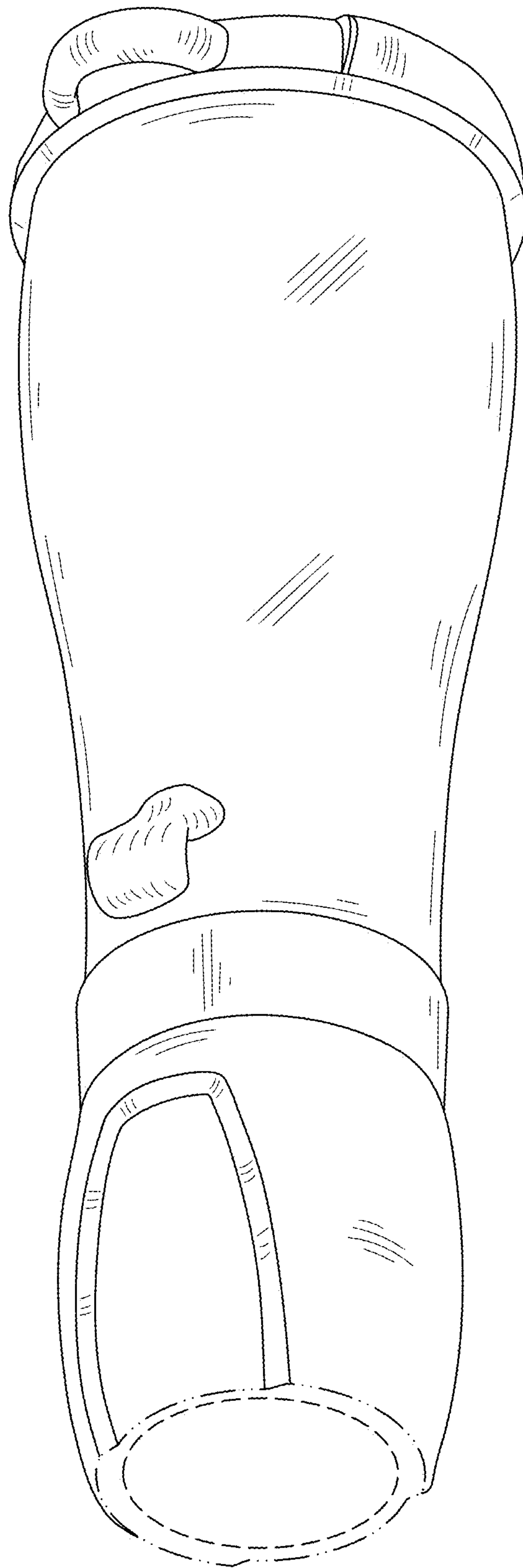


FIG. 2

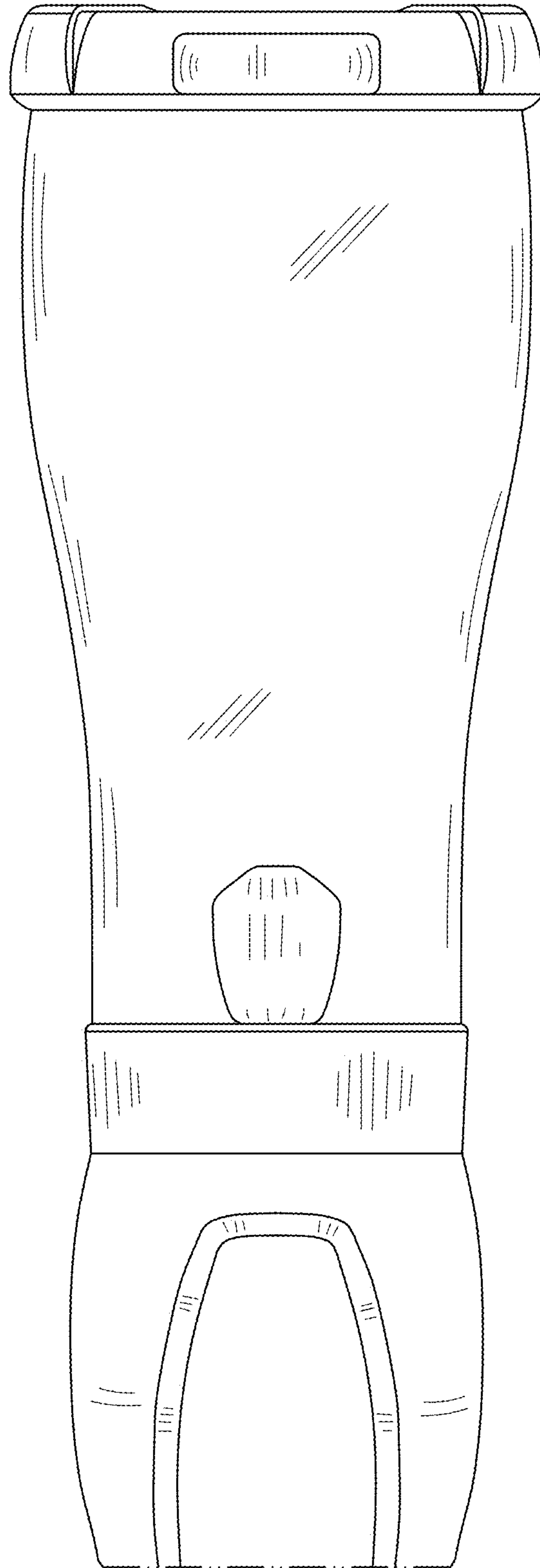


FIG. 3

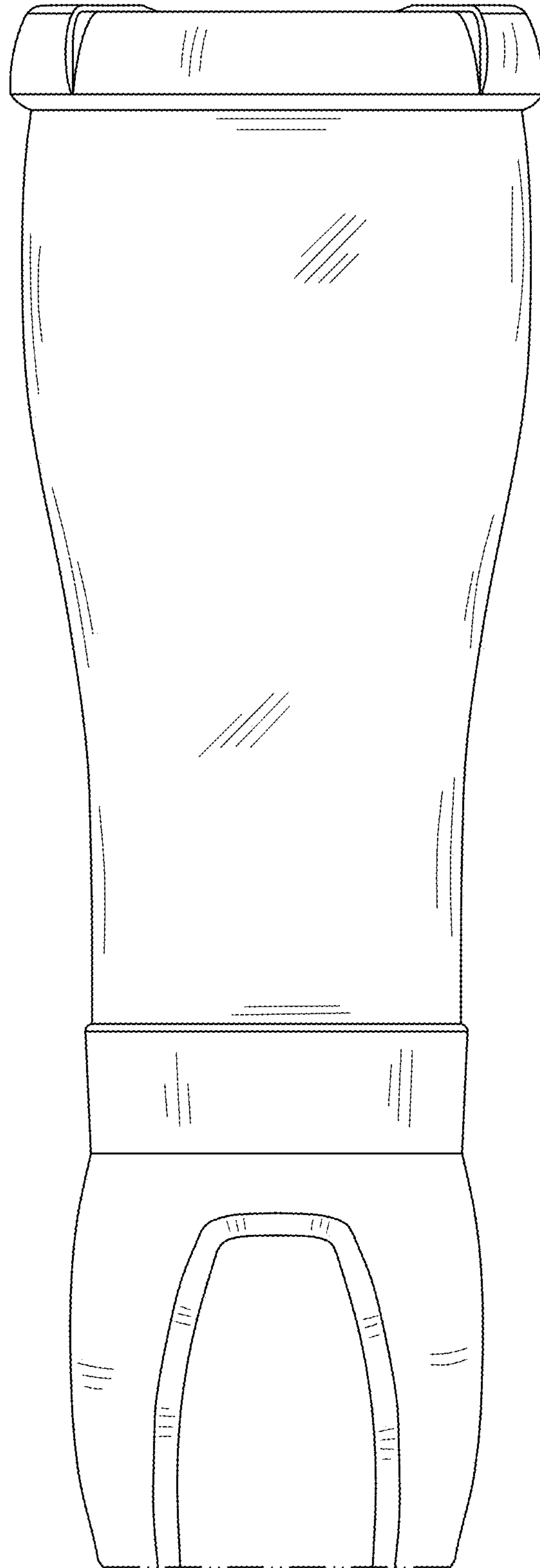


FIG. 4

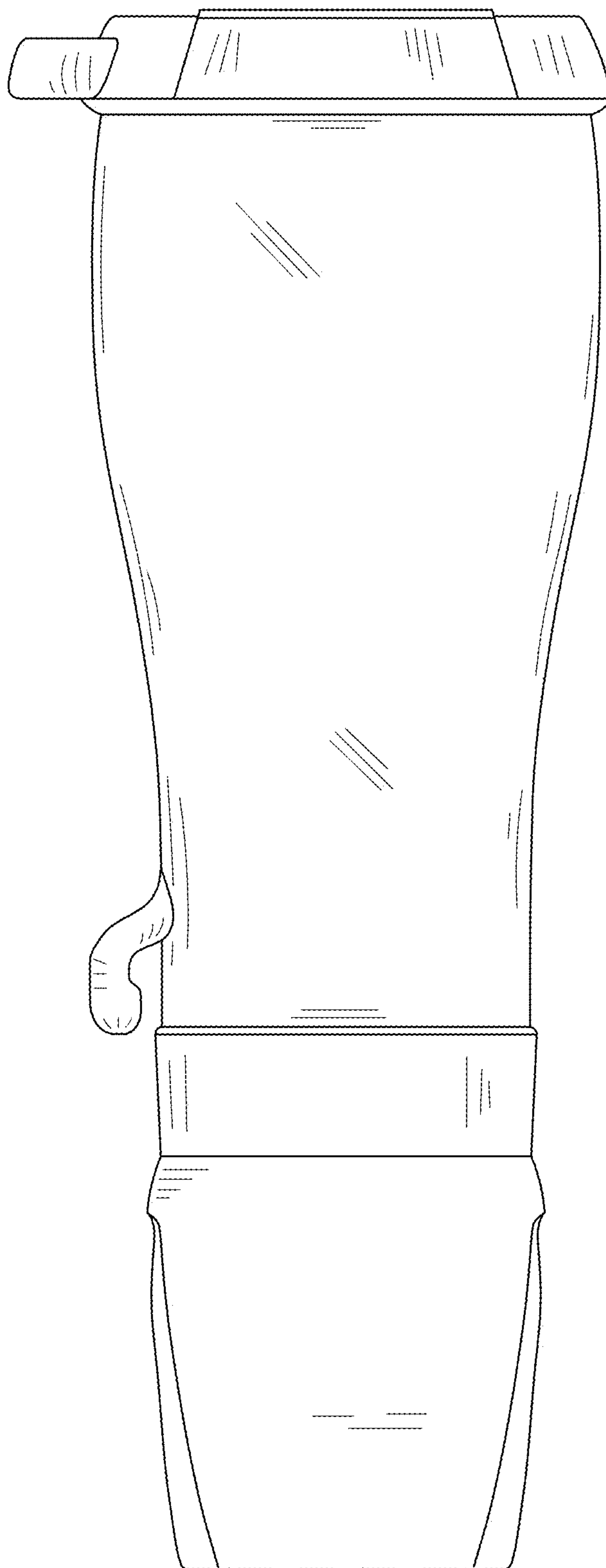


FIG. 5

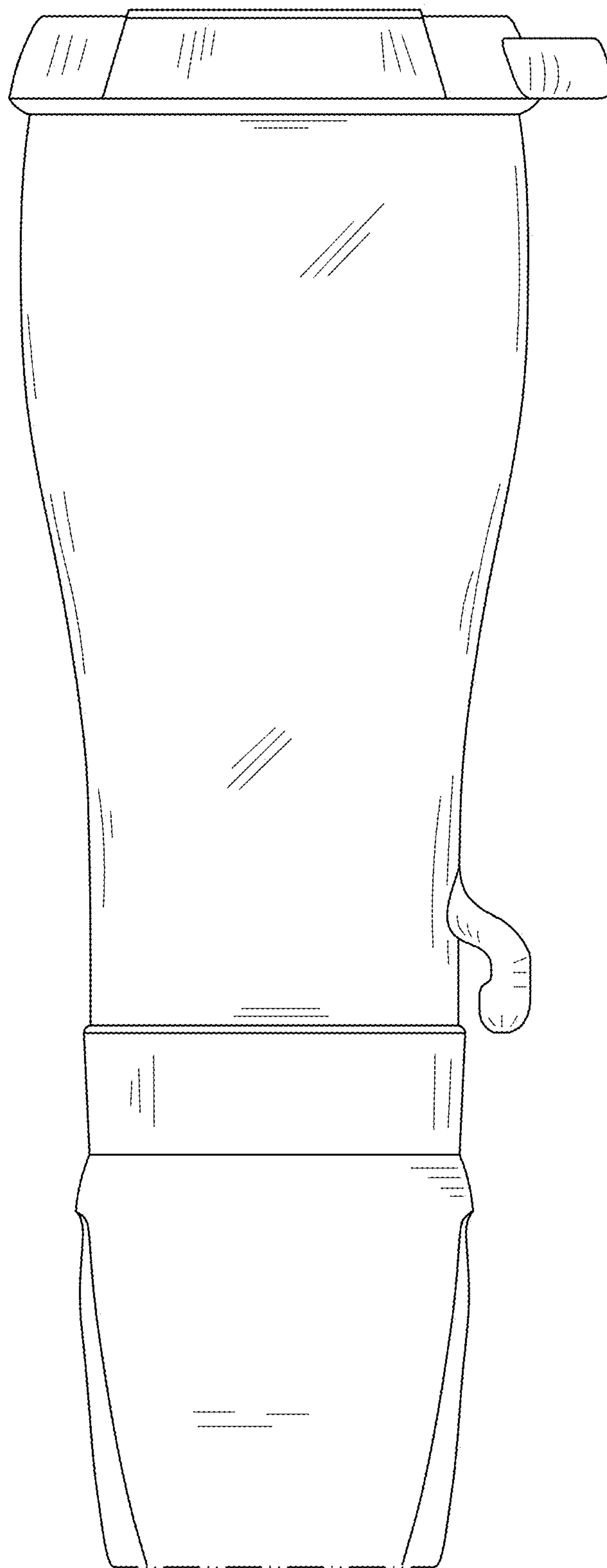


FIG. 6

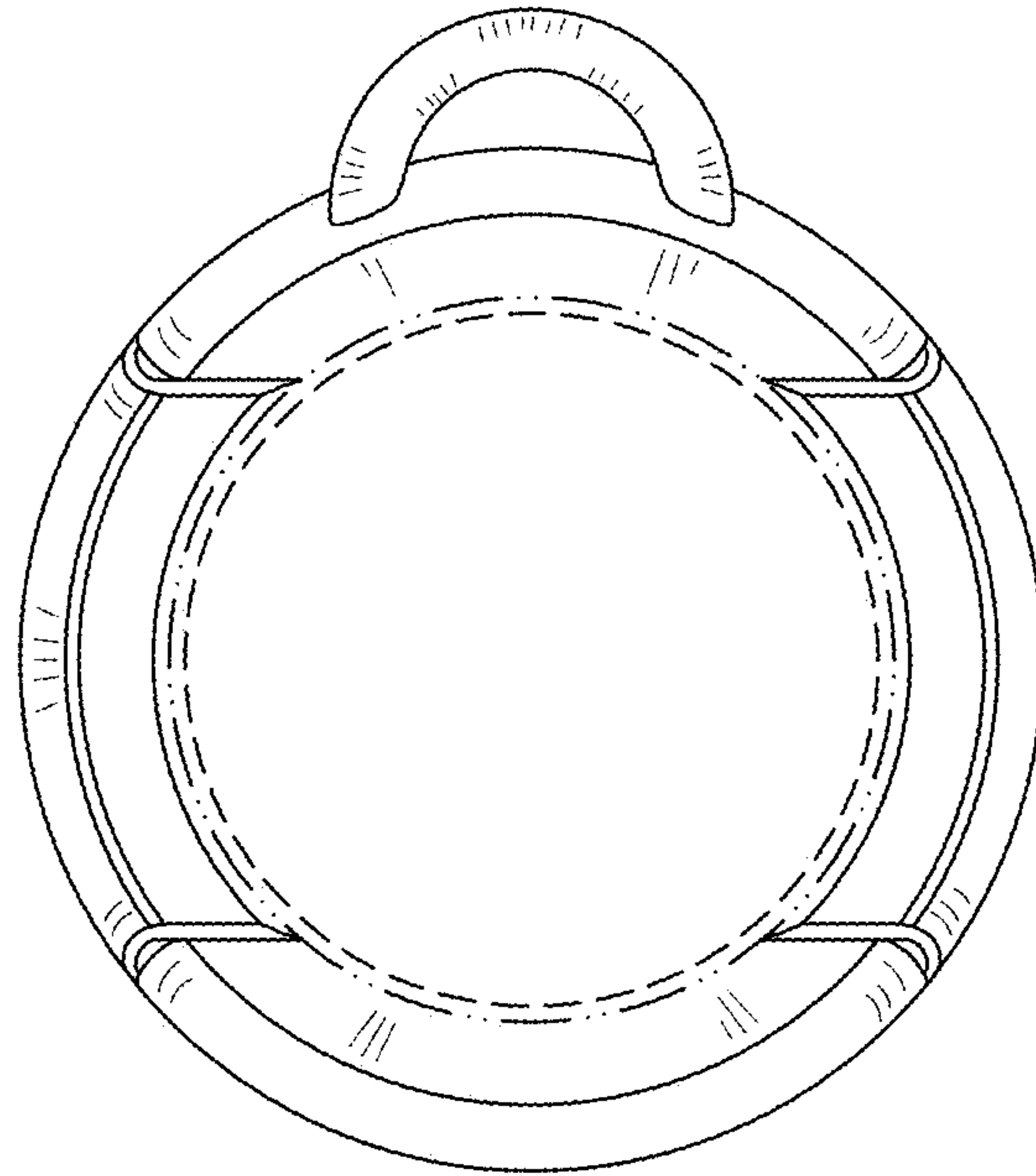


FIG. 7

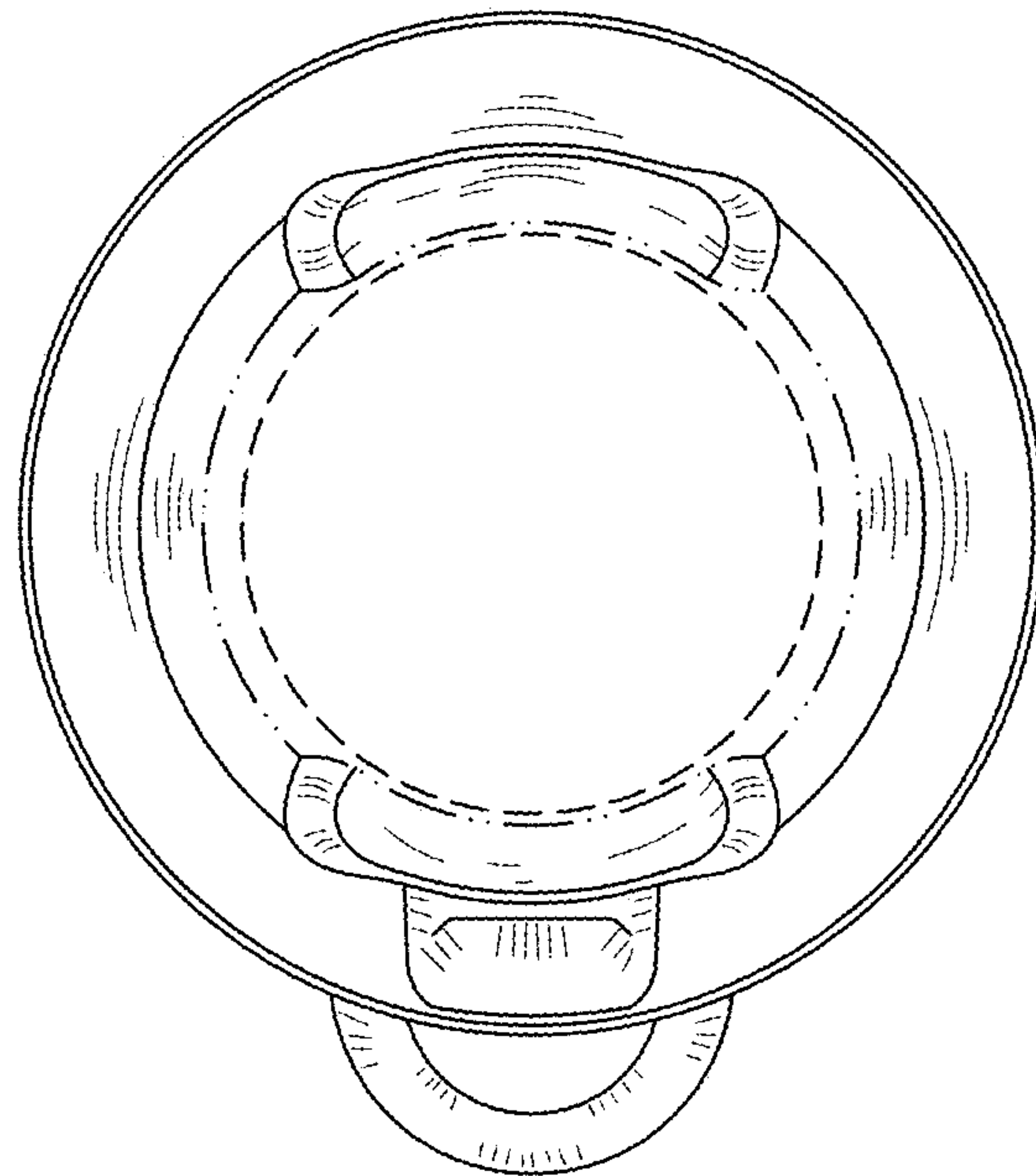


FIG. 8

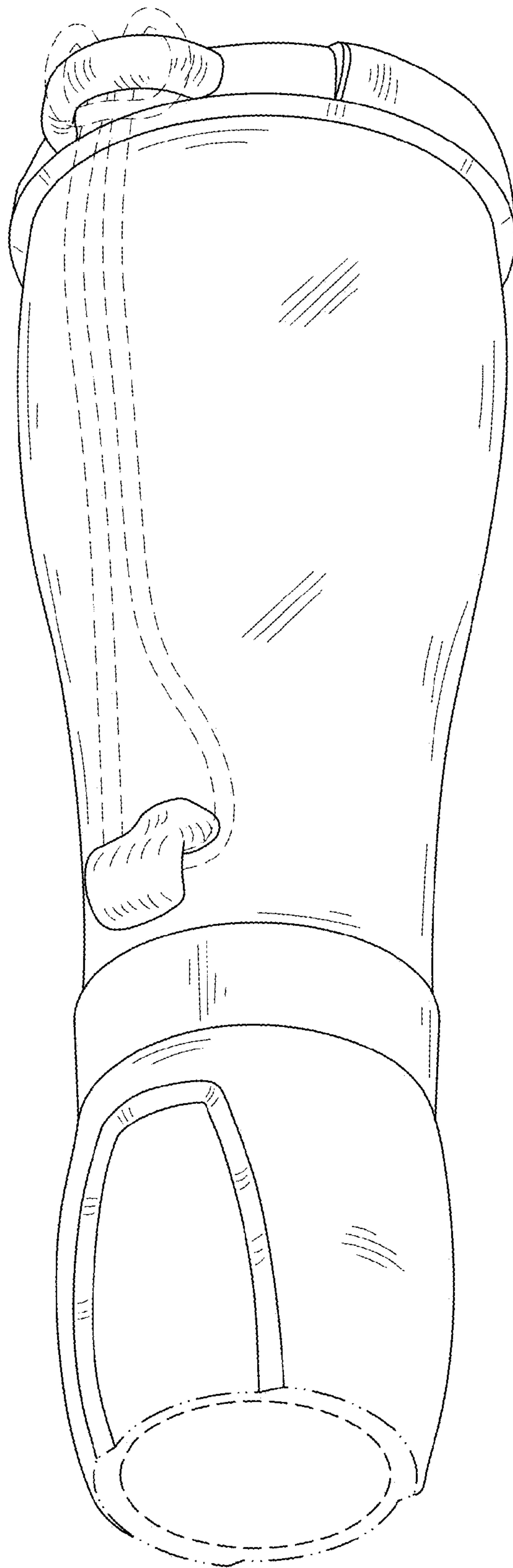


FIG. 9