



US00D904654S

(12) **United States Design Patent** (10) **Patent No.:** **US D904,654 S**
Horn et al. (45) **Date of Patent:** **** Dec. 8, 2020**

- (54) **SNOW PLOW HEADLAMP**
- (71) Applicant: **Douglas Dynamics, L.L.C.**,
Milwaukee, WI (US)
- (72) Inventors: **Christopher Aaron Horn**, Menomonee
Falls, WI (US); **Seth Thomas
Bergerud**, West Bend, WI (US);
Robert Douglas Clark, Mequon, WI
(US); **Michael Lee Frank**, Wauwatosa,
WI (US); **Tyler Barron Jones**,
Appleton, ME (US)
- (73) Assignee: **Douglas Dynamics, L.L.C.**,
Milwaukee, WI (US)
- (**) Term: **15 Years**
- (21) Appl. No.: **29/729,566**
- (22) Filed: **Mar. 27, 2020**

Related U.S. Application Data

- (62) Division of application No. 29/666,309, filed on Oct.
11, 2018, now Pat. No. Des. 880,027.
- (51) **LOC (12) Cl.** **26-06**
- (52) **U.S. Cl.**
USPC **D26/28**
- (58) **Field of Classification Search**
USPC D26/28-36, 139
CPC F21S 48/00; F21S 48/10; F21S 48/115;
F21S 48/225; F21S 48/1233; F21S
48/1266; F21S 48/1388; F21S 48/2268;
F21V 21/04; F21V 29/004; B60Q 9/13;
B60Q 9/135; B60Q 9/1375
See application file for complete search history.

- (56) **References Cited**
- U.S. PATENT DOCUMENTS
- D399,326 S 10/1998 Kelly
- 6,015,219 A 1/2000 Kelly
- D656,258 S * 3/2012 Georgitsis B60Q 1/0483
D26/31
- D672,069 S * 12/2012 Cohen D26/28
- D672,070 S * 12/2012 Cohen D26/28
- D672,071 S * 12/2012 Cohen D26/28
- D672,072 S * 12/2012 Cohen D26/28
- D880,027 S 3/2020 Horn et al.

OTHER PUBLICATIONS

Jason Torchinsky, A Tribute To The Most Un-Appreciated Light:
The Cornering Light, Aug. 21, 2014.
* cited by examiner

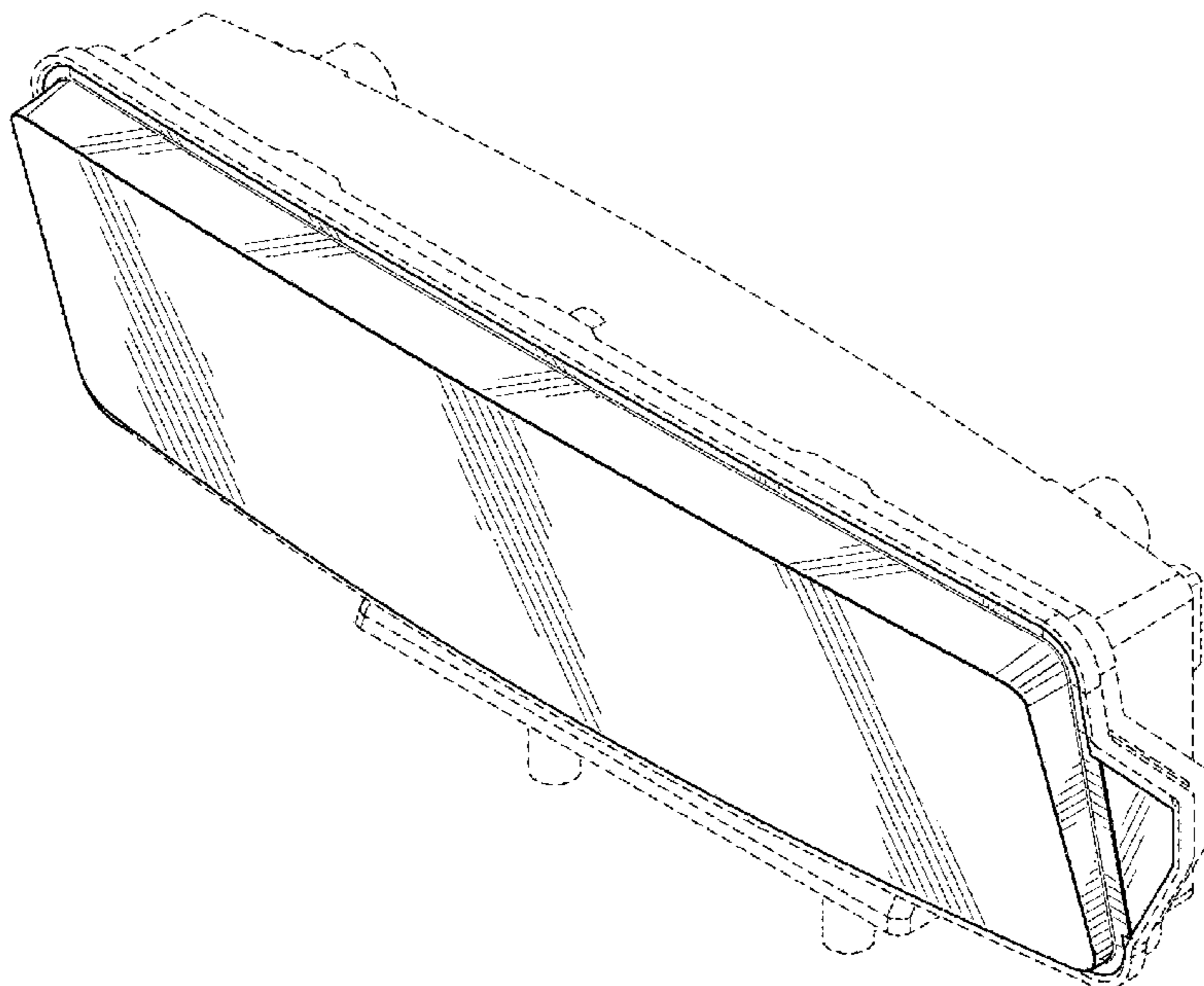
Primary Examiner — Marcus A Jackson
(74) *Attorney, Agent, or Firm* — Wood Herron & Evans
LLP

(57) **CLAIM**
The ornamental design for a snow plow headlamp, as shown
and described.

DESCRIPTION

FIG. 1 is a top front right perspective view of my new,
original and ornamental design for a snow plow headlamp.
FIG. 2 is a front view thereof.
FIG. 3 is a left side view thereof.
FIG. 4 is a right side view thereof.
FIG. 5 is a top view thereof; and,
FIG. 6 is a bottom view thereof.
The broken lines illustrate environment and/or unclaimed
boundaries and/or unclaimed features, are for illustrative
purposes only, and form no part of the claimed design.

1 Claim, 4 Drawing Sheets



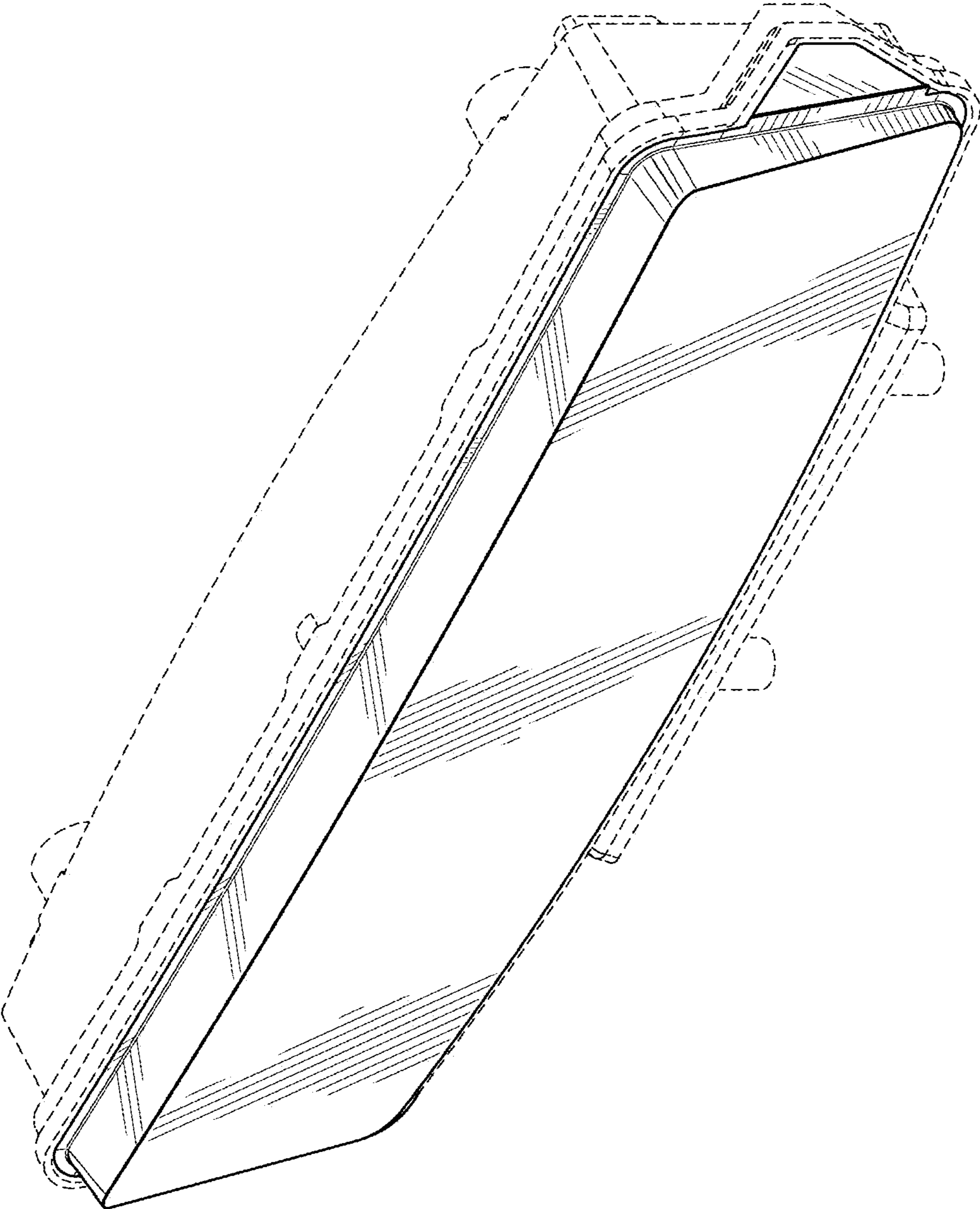


FIG. 1

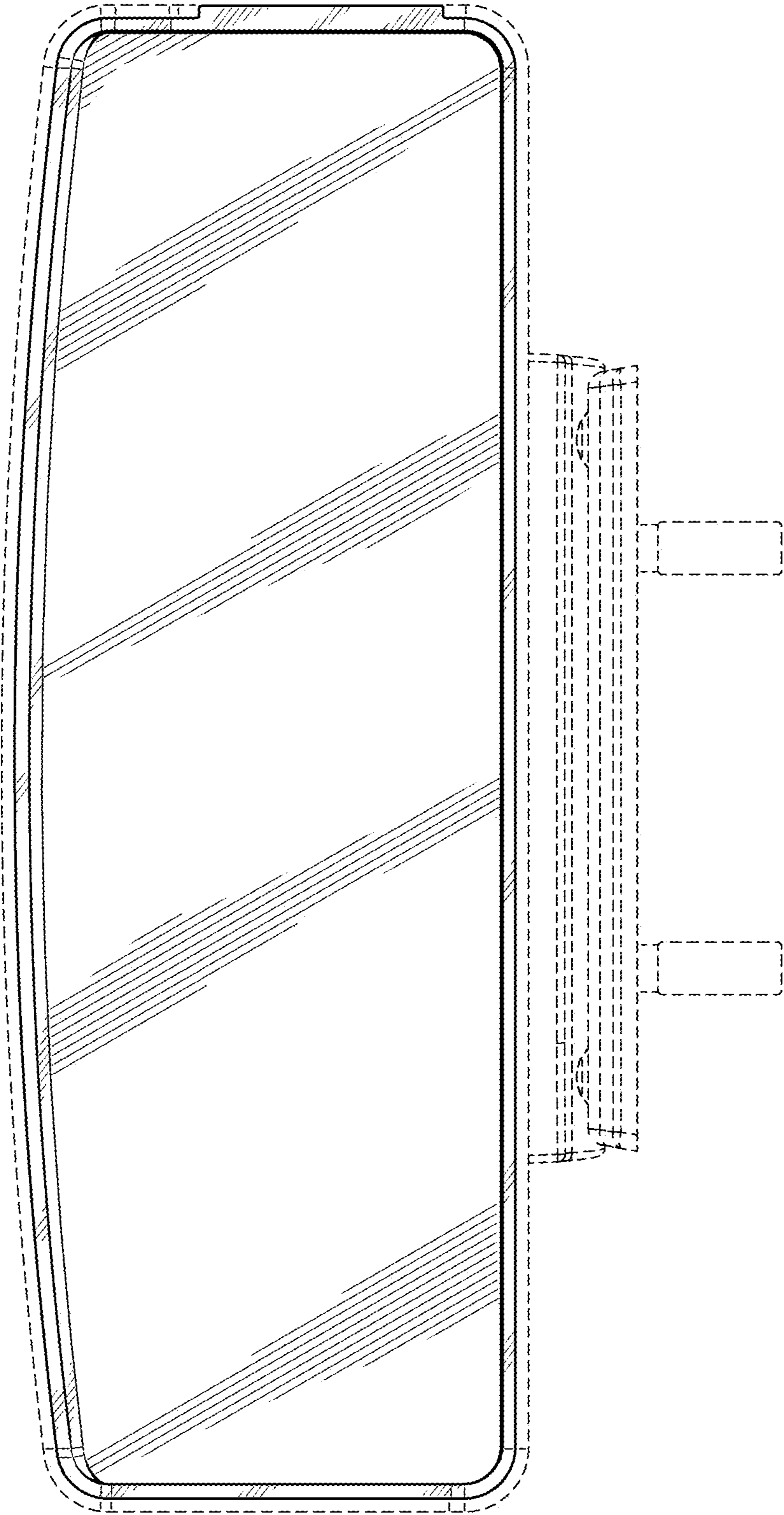


FIG. 2

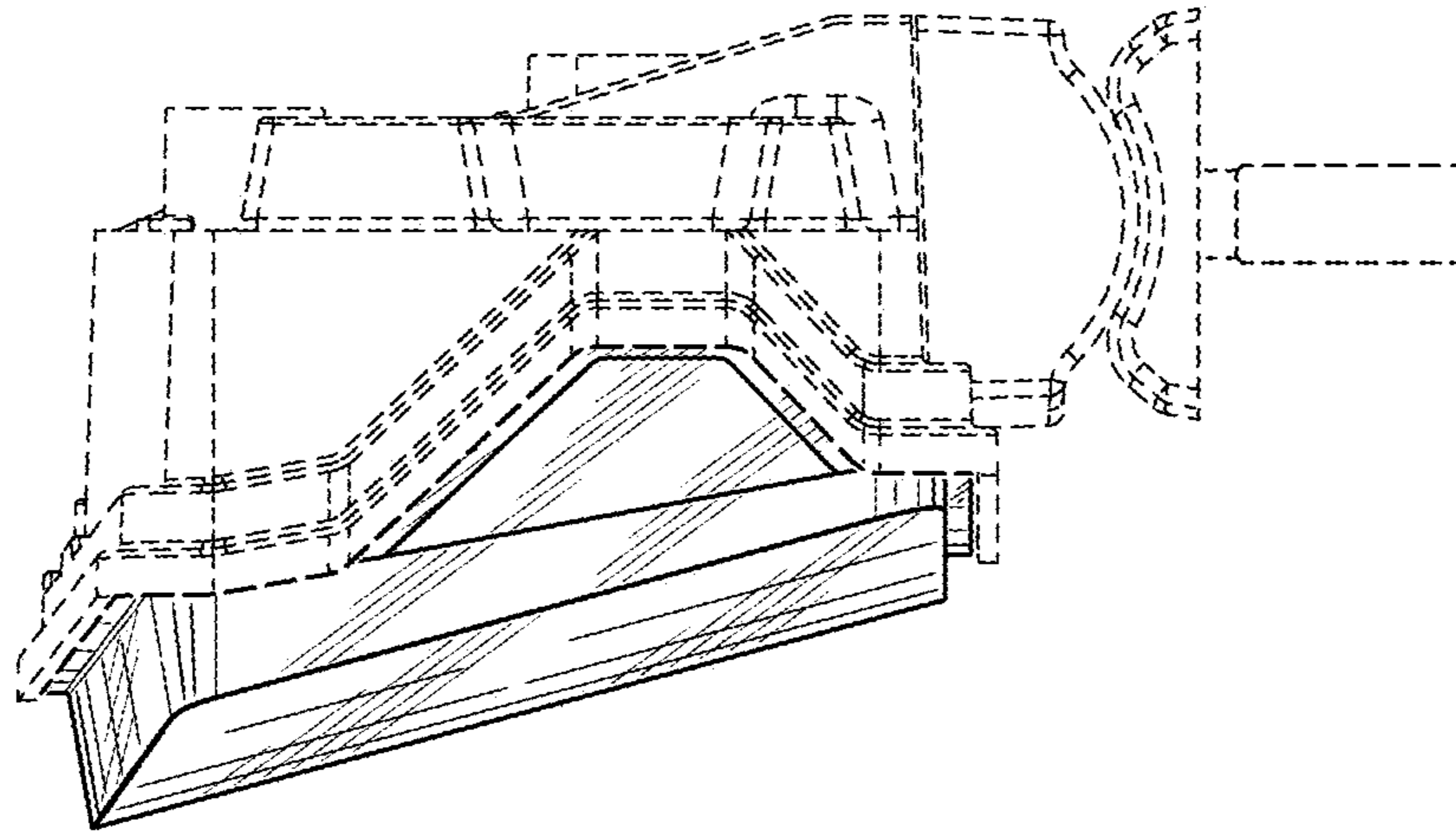


FIG. 4

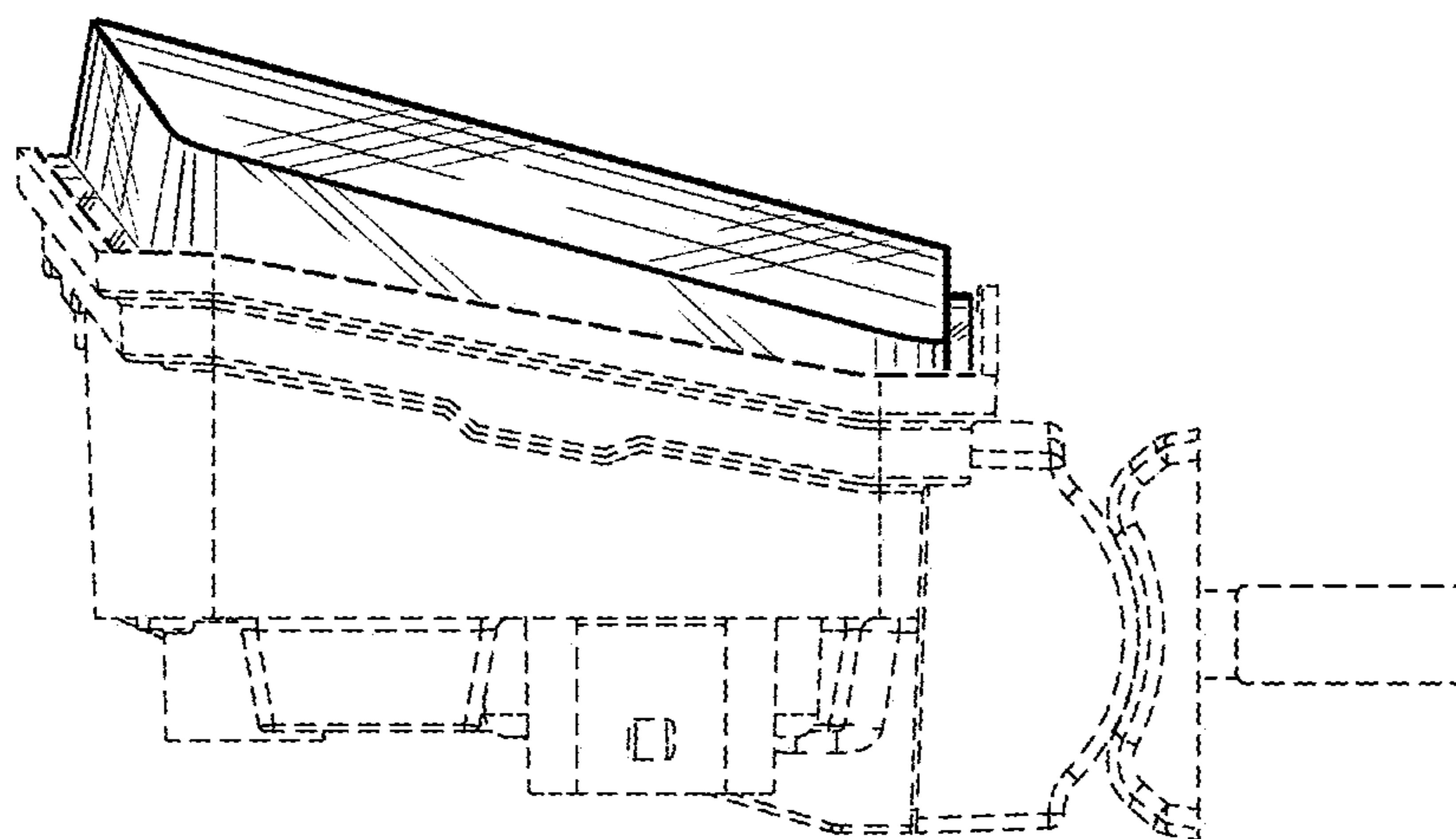


FIG. 3

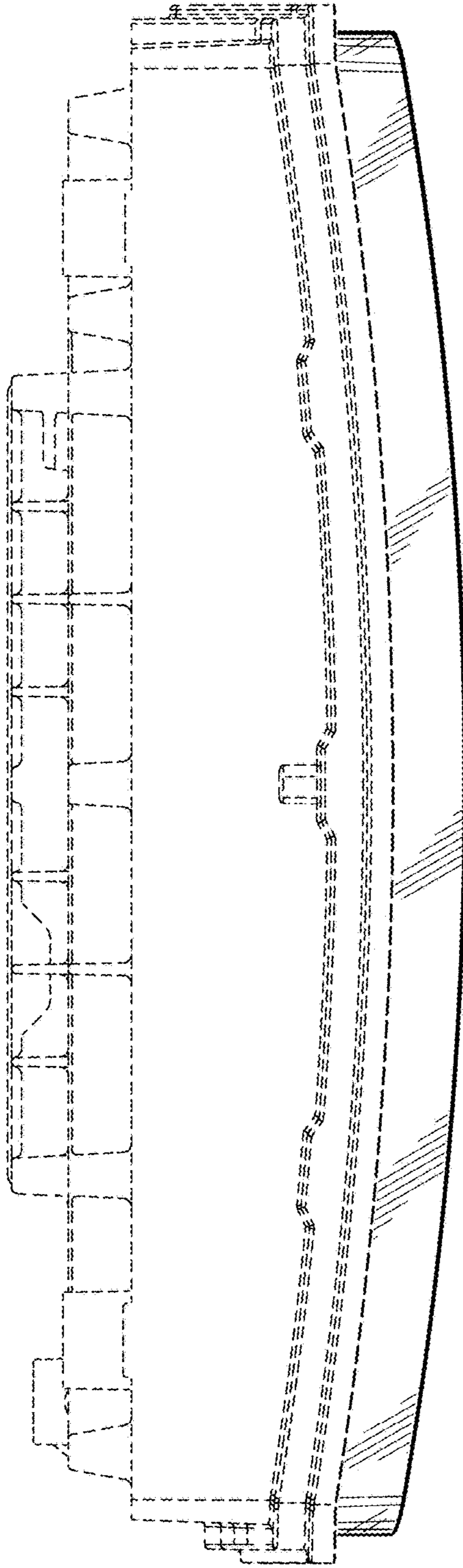


FIG. 5

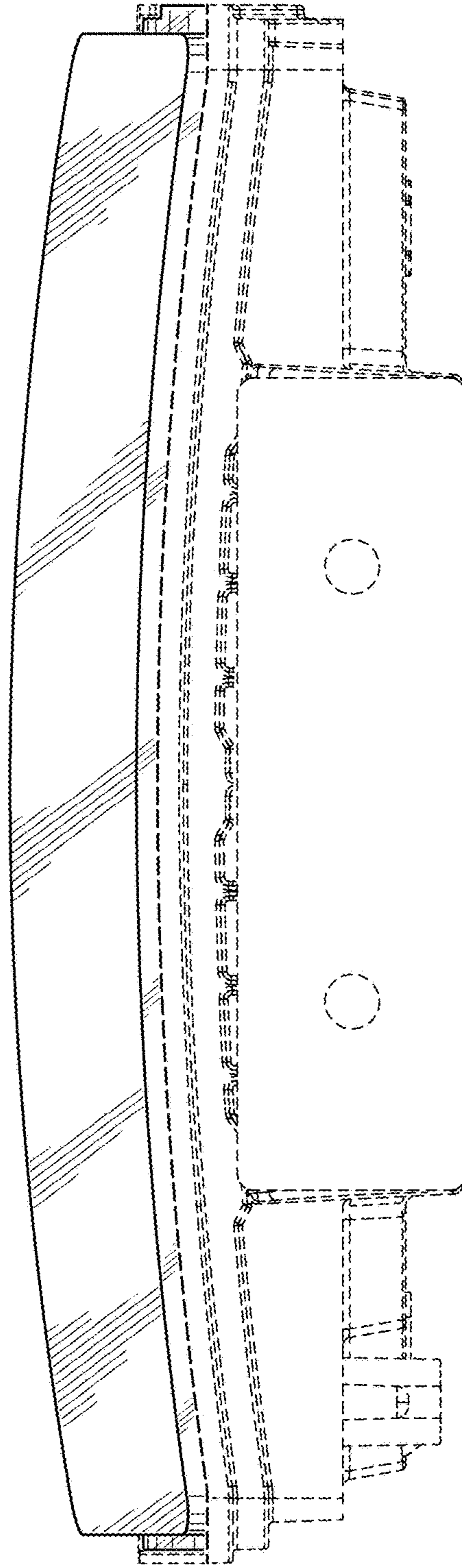


FIG. 6