



US00D904652S

(12) **United States Design Patent** (10) **Patent No.:** **US D904,652 S**  
**Carbis et al.** (45) **Date of Patent:** **\*\* Dec. 8, 2020**

(54) **VEHICLE HEADLIGHT**  
(71) Applicant: **Ford Global Technologies, LLC**,  
Dearborn, MI (US)  
(72) Inventors: **Dean Carbis**, Bloomfield Hills, MI  
(US); **Karl J. Rossman**, Allen Park, MI  
(US); **Brian S. Paik**, Los Angeles, CA  
(US); **Melvin Betancourt**, Shelby  
Township, MI (US)  
(73) Assignee: **Ford Global Technologies, LLC**,  
Dearborn, MI (US)  
(\*\*) Term: **15 Years**  
(21) Appl. No.: **29/700,498**  
(22) Filed: **Aug. 2, 2019**  
(51) **LOC (12) Cl.** ..... **26-06**  
(52) **U.S. Cl.**  
USPC ..... **D26/28**  
(58) **Field of Classification Search**  
USPC ..... D26/28, 29, 30, 31, 32, 33, 34, 35, 36  
CPC ..... F21S 48/00; F21S 48/10; F21S 48/115;  
F21S 48/225; F21S 48/1233; F21S  
48/1266; F21S 48/1388; F21S 48/2268;  
F21V 21/04; F21W 2103/35; F21W 3/40;  
F21W 2102/17; F21W 2102/30; F21W  
2103/00; F21W 2103/55; F21W 2104/00;  
F21W 2107/17; F21W 2107/13  
See application file for complete search history.

(56) **References Cited**  
U.S. PATENT DOCUMENTS  
D527,125 S \* 8/2006 Lai ..... D26/28  
D674,932 S \* 1/2013 Kawano ..... D26/28  
D678,569 S \* 3/2013 Brendel ..... D26/28  
D696,445 S \* 12/2013 Ishizuka ..... D26/28  
D707,860 S \* 6/2014 Futschik ..... D26/28

D708,367 S \* 7/2014 Tajima ..... D26/28  
D708,767 S \* 7/2014 Minaminsawa ..... D26/28  
D806,285 S \* 12/2017 Kawakami ..... D26/28  
D833,043 S \* 11/2018 Aiba ..... D26/28  
D842,510 S \* 3/2019 Kang ..... D26/28  
D844,863 S \* 4/2019 Tomasson ..... D26/28  
D868,316 S \* 11/2019 Lin ..... D26/28  
D889,700 S \* 7/2020 Wang ..... D26/28

**OTHER PUBLICATIONS**

Michael Martinez, Ford's 2020 Baby Bronco off-roader emerges in photos from dealer meeting, <http://www.automews.com/article/20181113/OEM04/181119911/ford-baby-bronco-photos-leaked> Nov. 13, 2018.

\* cited by examiner

*Primary Examiner* — Angela J Lee  
(74) *Attorney, Agent, or Firm* — Michael Spenner

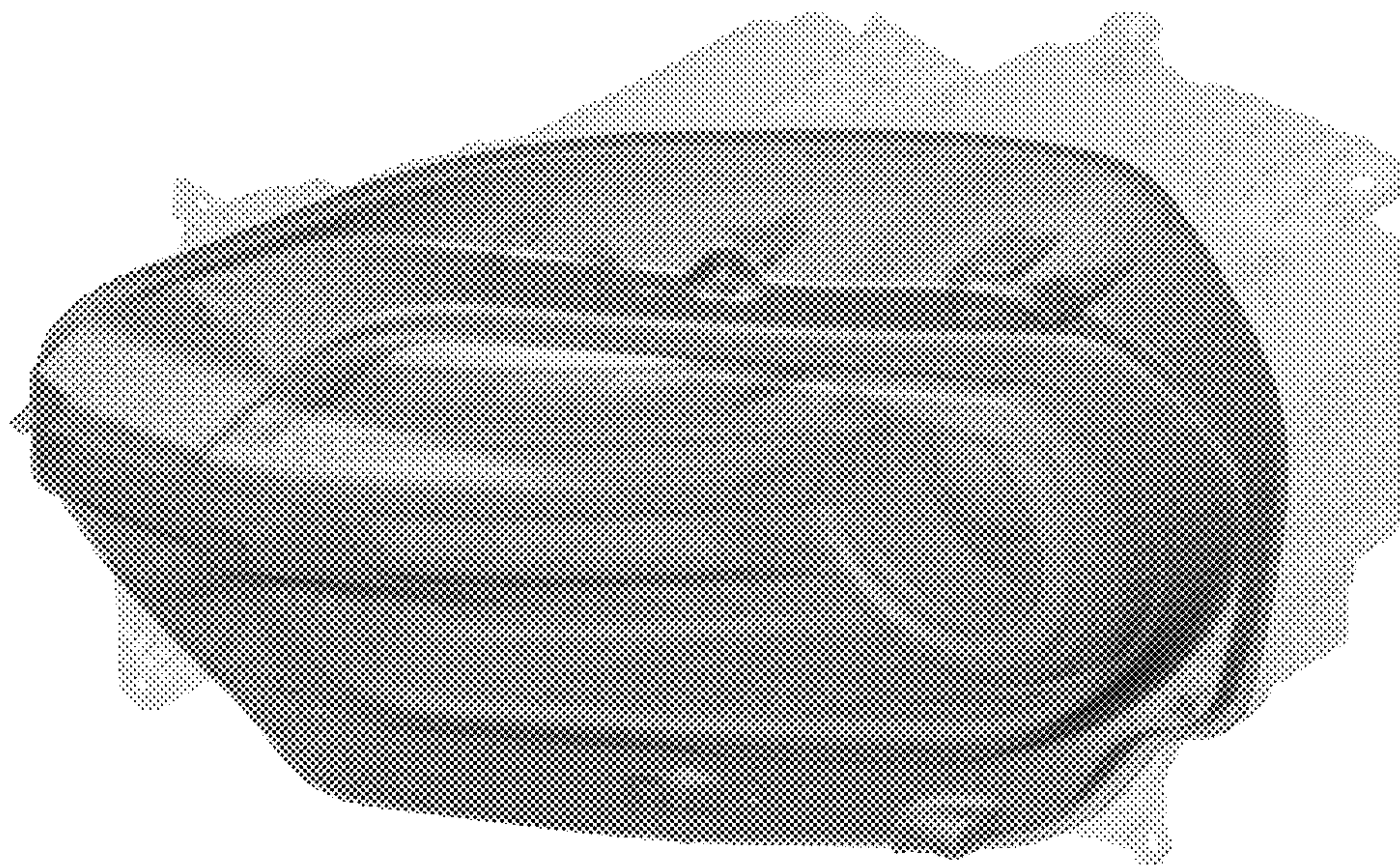
(57) **CLAIM**

The ornamental design for a vehicle headlight, as shown and described.

**DESCRIPTION**

FIG. 1 is a front elevational view of a vehicle headlight, showing our new design;  
FIG. 2 is a left side elevational view thereof;  
FIG. 3 is a right side elevational view thereof;  
FIG. 4 is a top plan view thereof;  
FIG. 5 is a bottom plan view thereof;  
FIG. 6 is a top, front and left side perspective view thereof; and,  
FIG. 7 is a bottom, front and left side perspective view thereof.  
The claimed design is indicated by the relatively dark portions in the figures. The de-emphasized and relatively light portions form no part of the claimed design.

**1 Claim, 7 Drawing Sheets**





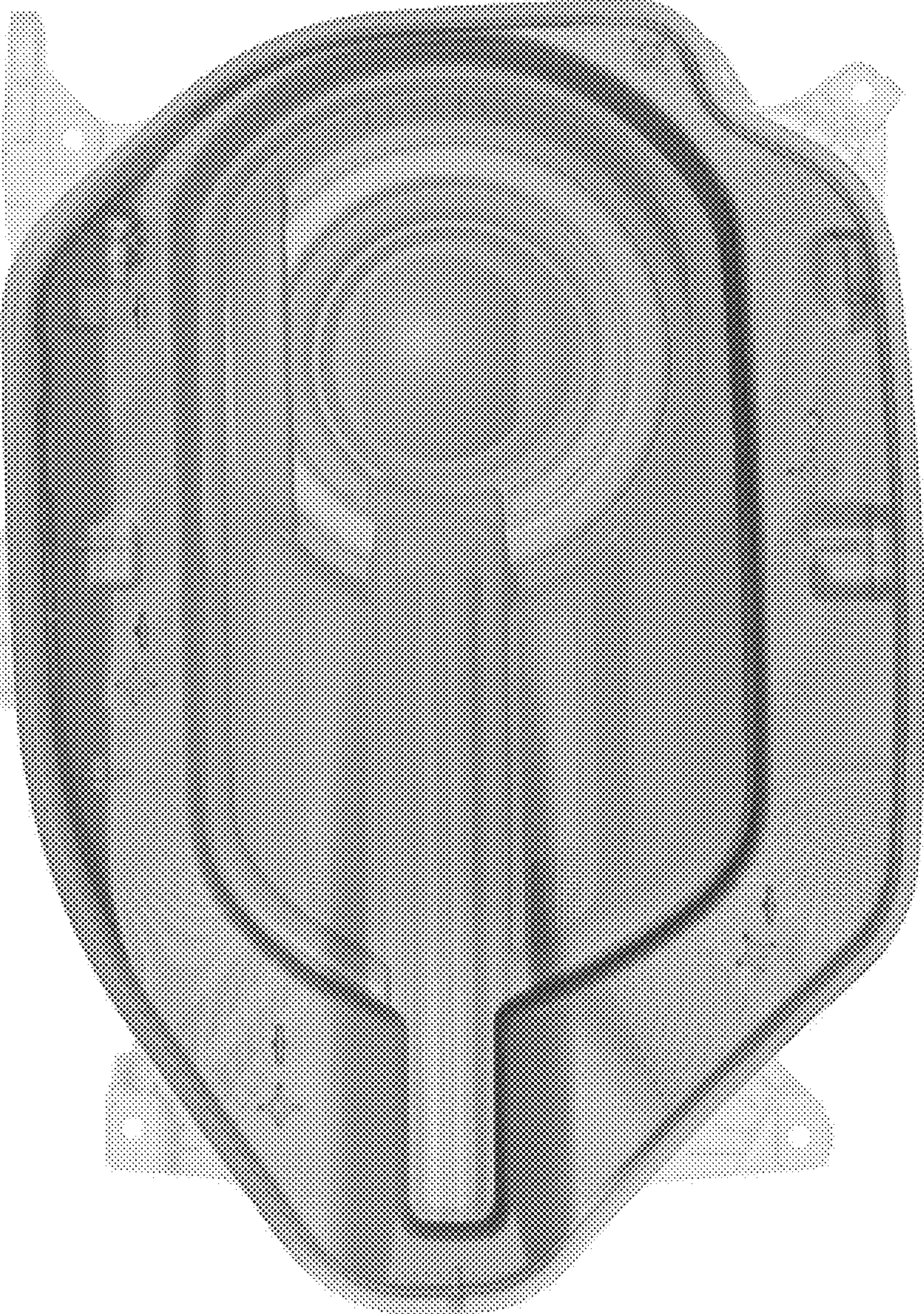


Fig.1



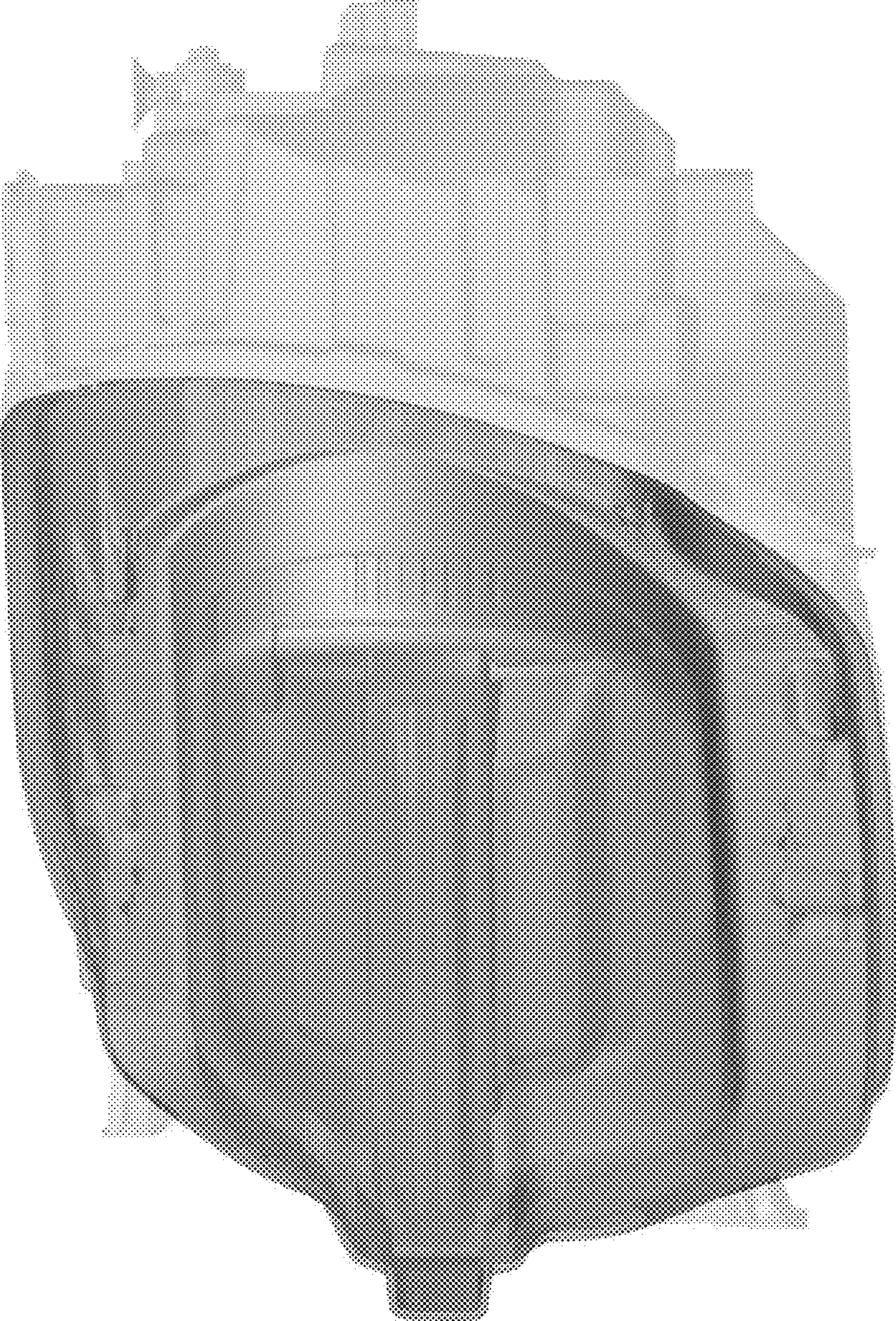


Fig.2



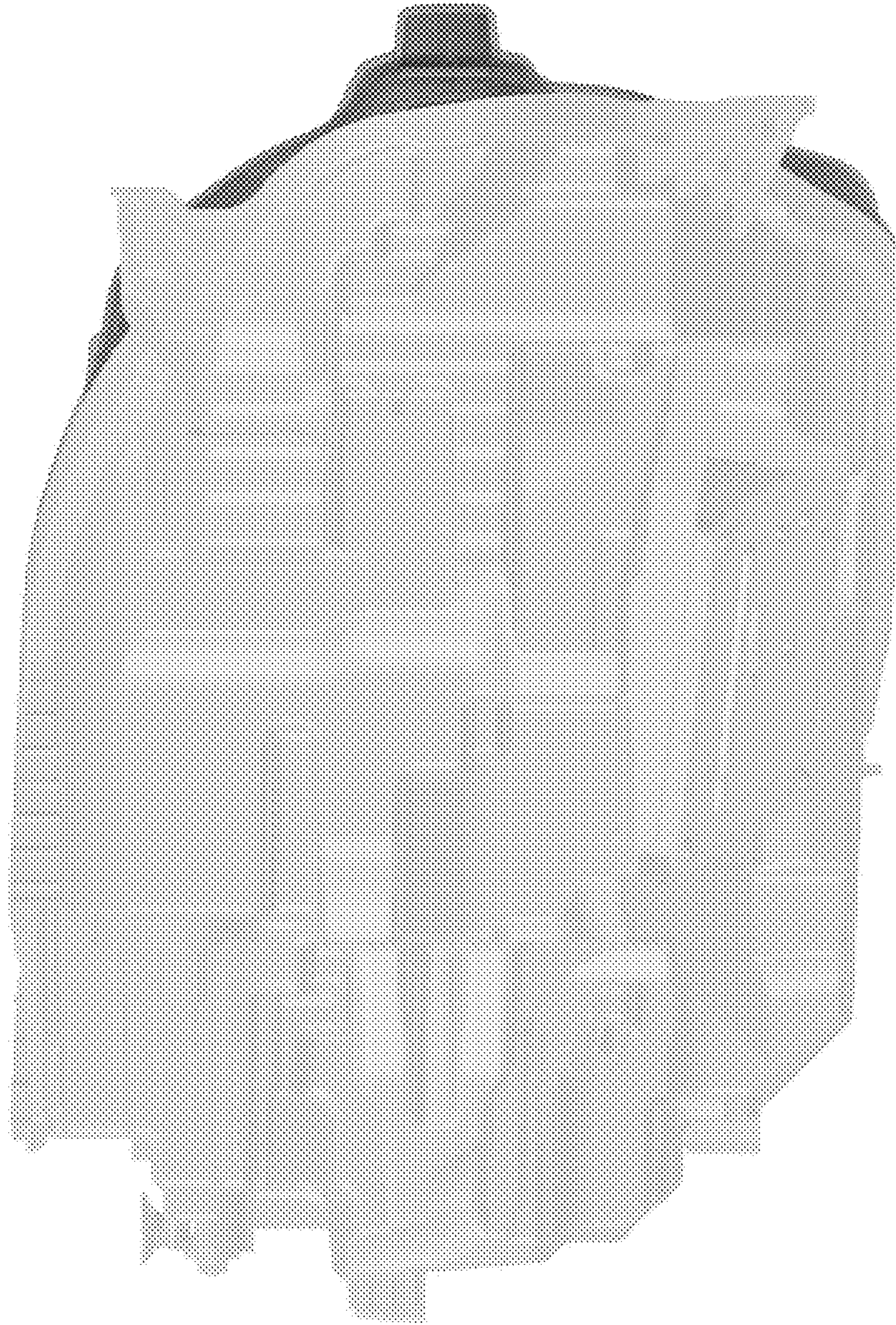


Fig. 3



Fig. 4

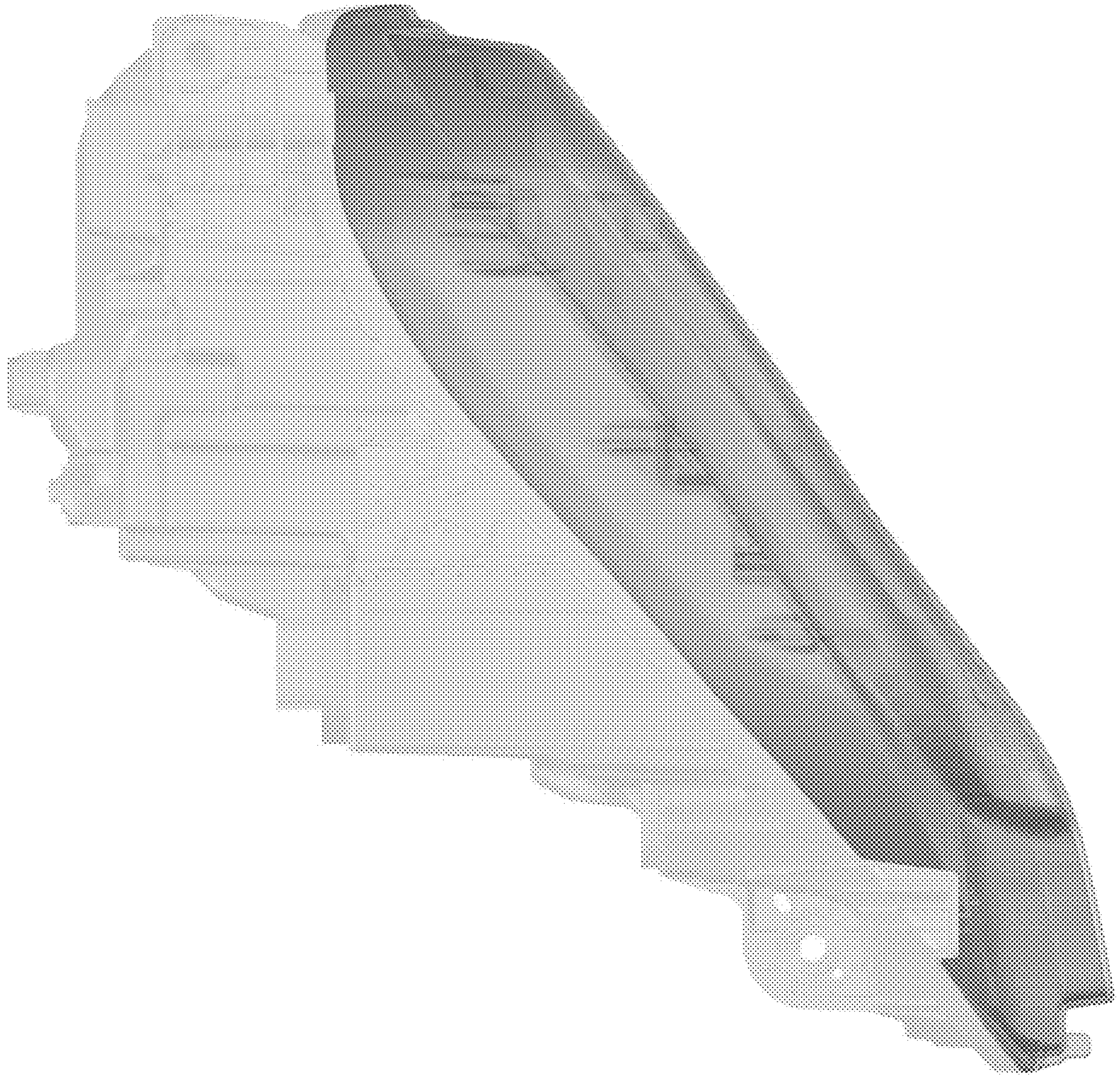
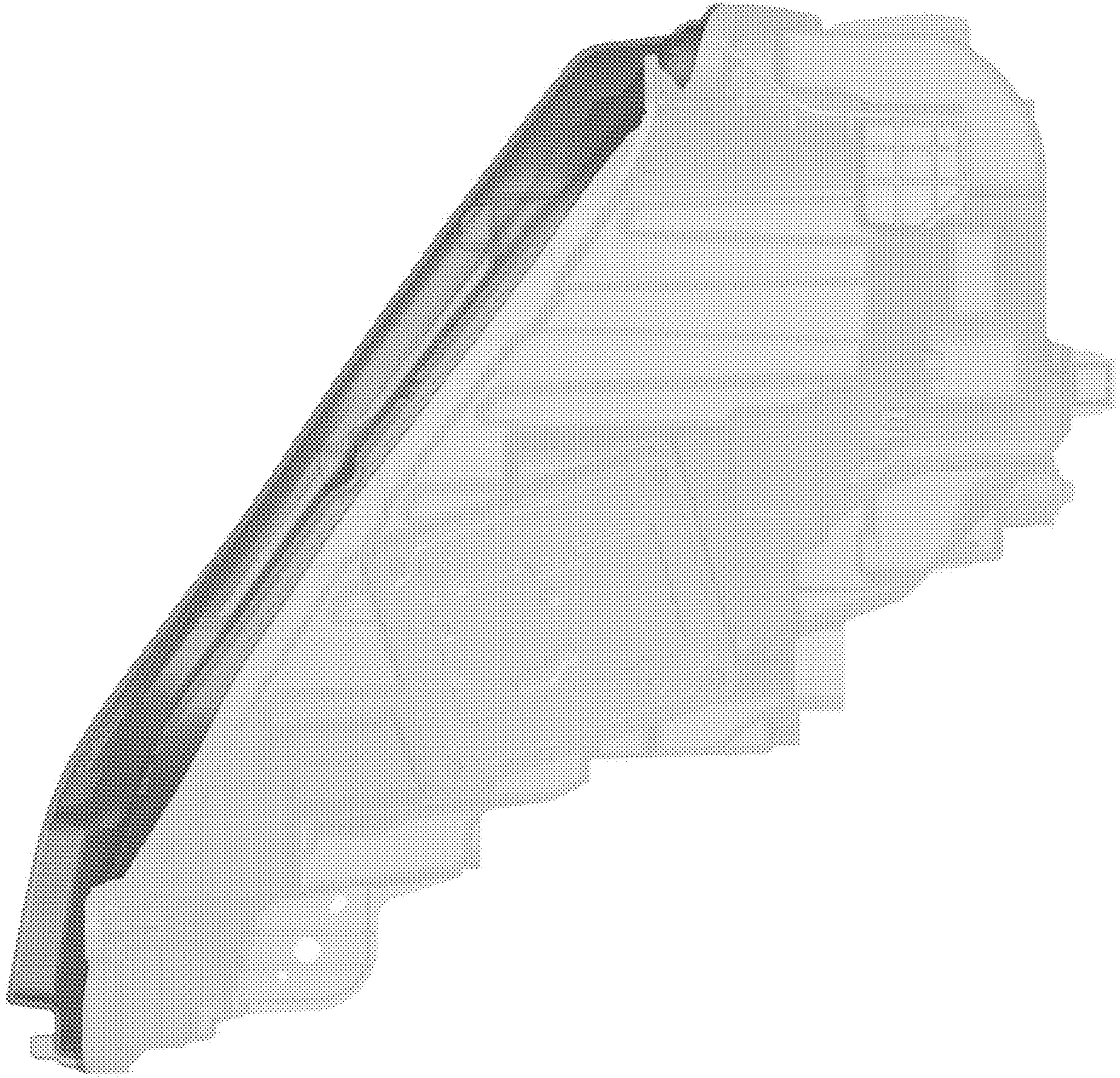




Fig. 5





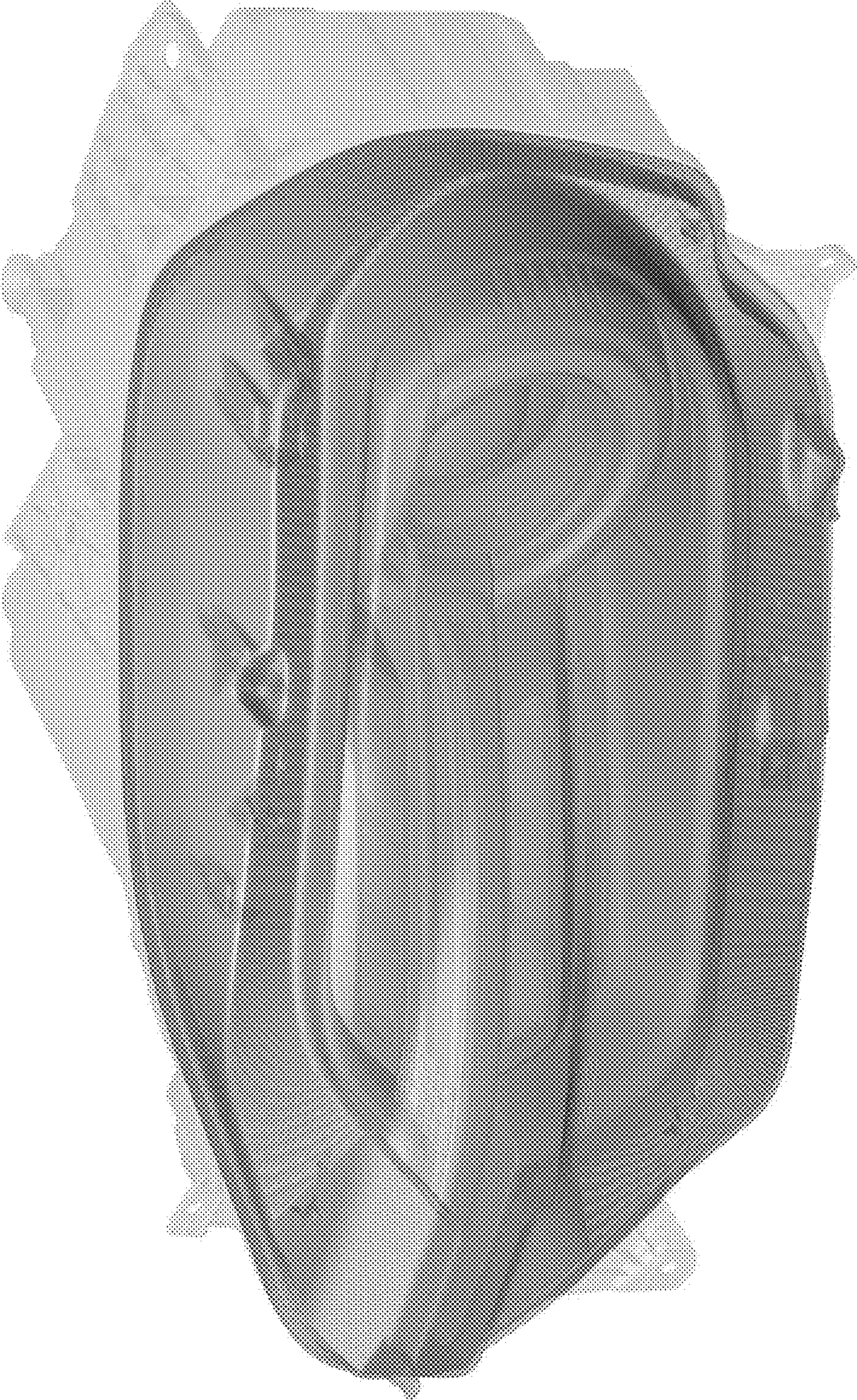


Fig.6



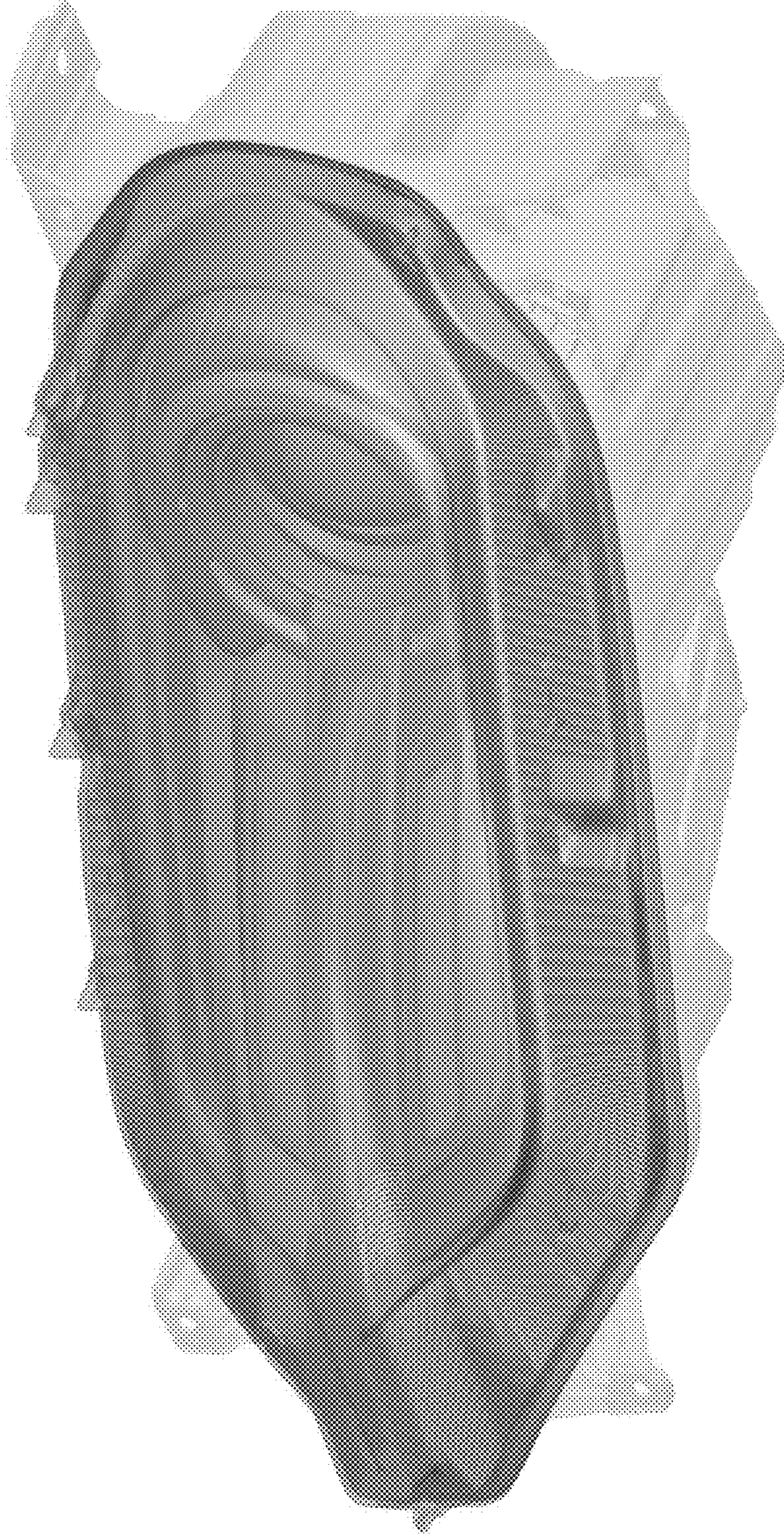


Fig. 7