



US00D904650S

(12) **United States Design Patent**
Qumsieh

(10) **Patent No.:** **US D904,650 S**

(45) **Date of Patent:** **** Dec. 8, 2020**

(54) **FLASHING**

(71) Applicant: **Nidal Qumsieh**, Sunbury (AU)

(72) Inventor: **Nidal Qumsieh**, Sunbury (AU)

(**) Term: **15 Years**

(21) Appl. No.: **29/693,482**

(22) Filed: **Jun. 3, 2019**

(30) **Foreign Application Priority Data**

Dec. 3, 2018 (AU) 201817232

(51) **LOC (12) Cl.** **25-02**

(52) **U.S. Cl.**
USPC **D25/199**

(58) **Field of Classification Search**

USPC D23/259, 260, 314, 328, 365, 370-394,
D23/411-414; D25/138, 139, 140, 141,
D25/199

CPC E04D 13/02; E04D 13/031; E04D 13/04;
E04D 13/0459; E04D 13/0481; E04D
13/064; E04D 13/1407; E04D 13/1475;
E04D 13/1478; E04D 13/15; E04D
13/155; E04D 13/158; E04D 2013/0468;
E04F 19/064; E04B 1/003; E04B 1/64;
E04B 5/00; E06B 1/00; E06B 1/04; E06B
1/34; E06B 1/56; E06B 1/62; E06B 1/68;
E06B 2001/628; B26D 3/00

See application file for complete search history.

(56) **References Cited**

U.S. PATENT DOCUMENTS

D662,230 S * 6/2012 Cline D25/199
8,479,455 B2 * 7/2013 Schaefer E04D 13/1476
52/58

D700,370 S * 2/2014 Leonard D25/199
D796,074 S * 8/2017 Bond D25/199
D805,223 S * 12/2017 DeBellis D25/199
D846,162 S * 4/2019 Stephan D25/199
D856,548 S * 8/2019 Stephan D25/199
2013/0328300 A1 * 12/2013 Bond B26D 3/00
285/42
2017/0030082 A1 * 2/2017 Saikkonen E04D 13/1476

* cited by examiner

Primary Examiner — Leanne Was-Englehart

(74) *Attorney, Agent, or Firm* — Morgan, Lewis & Bockius LLP

(57) **CLAIM**

The ornamental design for flashing, as shown and described.

DESCRIPTION

FIG. 1 is a front perspective view of flashing showing the new design;

FIG. 2 is a rear perspective view thereof;

FIG. 3 is a top plan view thereof;

FIG. 4 is a bottom plan view thereof;

FIG. 5 is a front elevational view thereof;

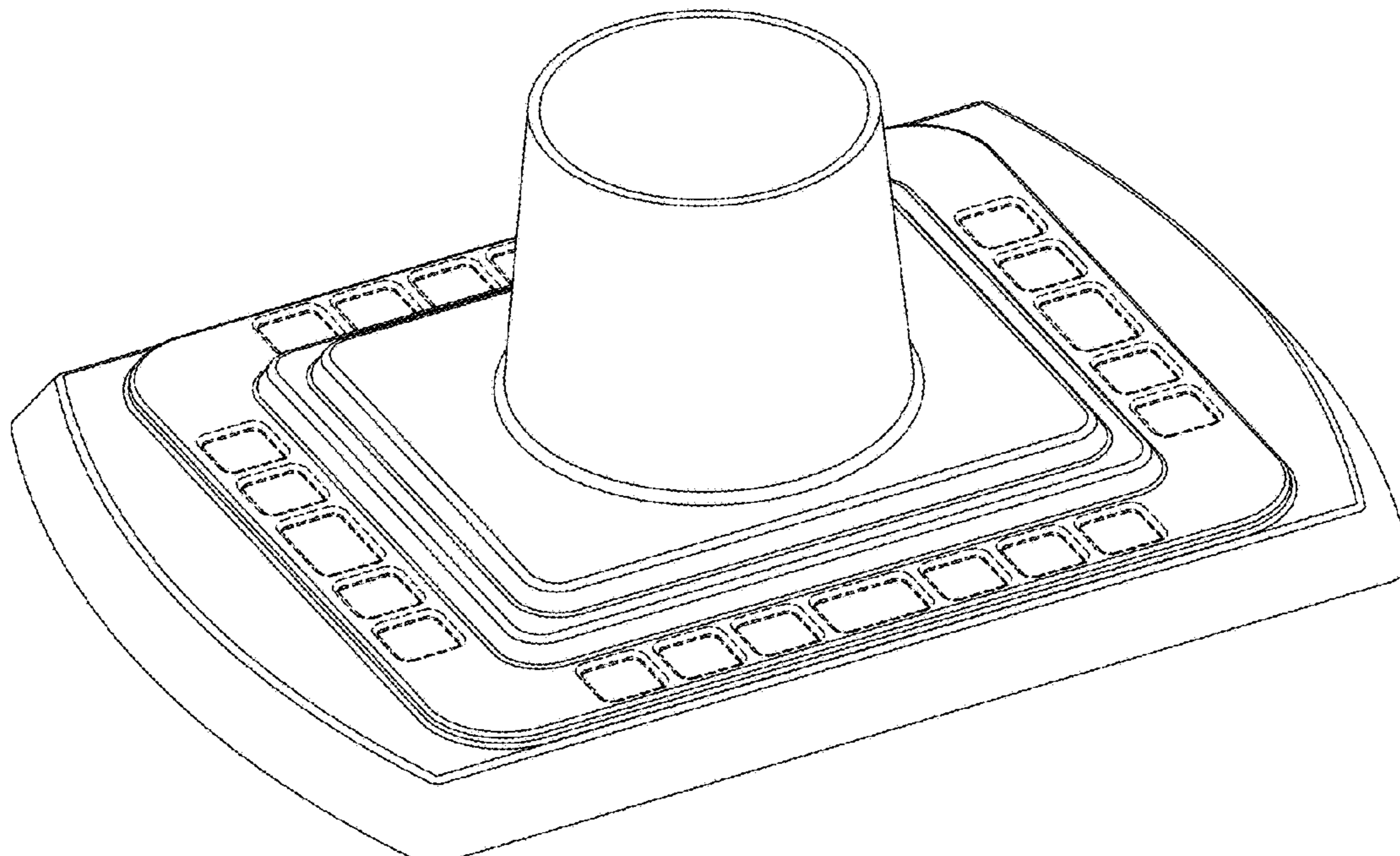
FIG. 6 is rear elevational view thereof;

FIG. 7 is a left-side elevational view thereof; and,

FIG. 8 is a right-side elevations view thereof

The broken lines immediately adjacent the shaded areas represent the bounds of the claimed design while all other broken lines are directed to unclaimed portions and are for illustrative purposes only; the broken lines form no part of the claimed design.

1 Claim, 8 Drawing Sheets



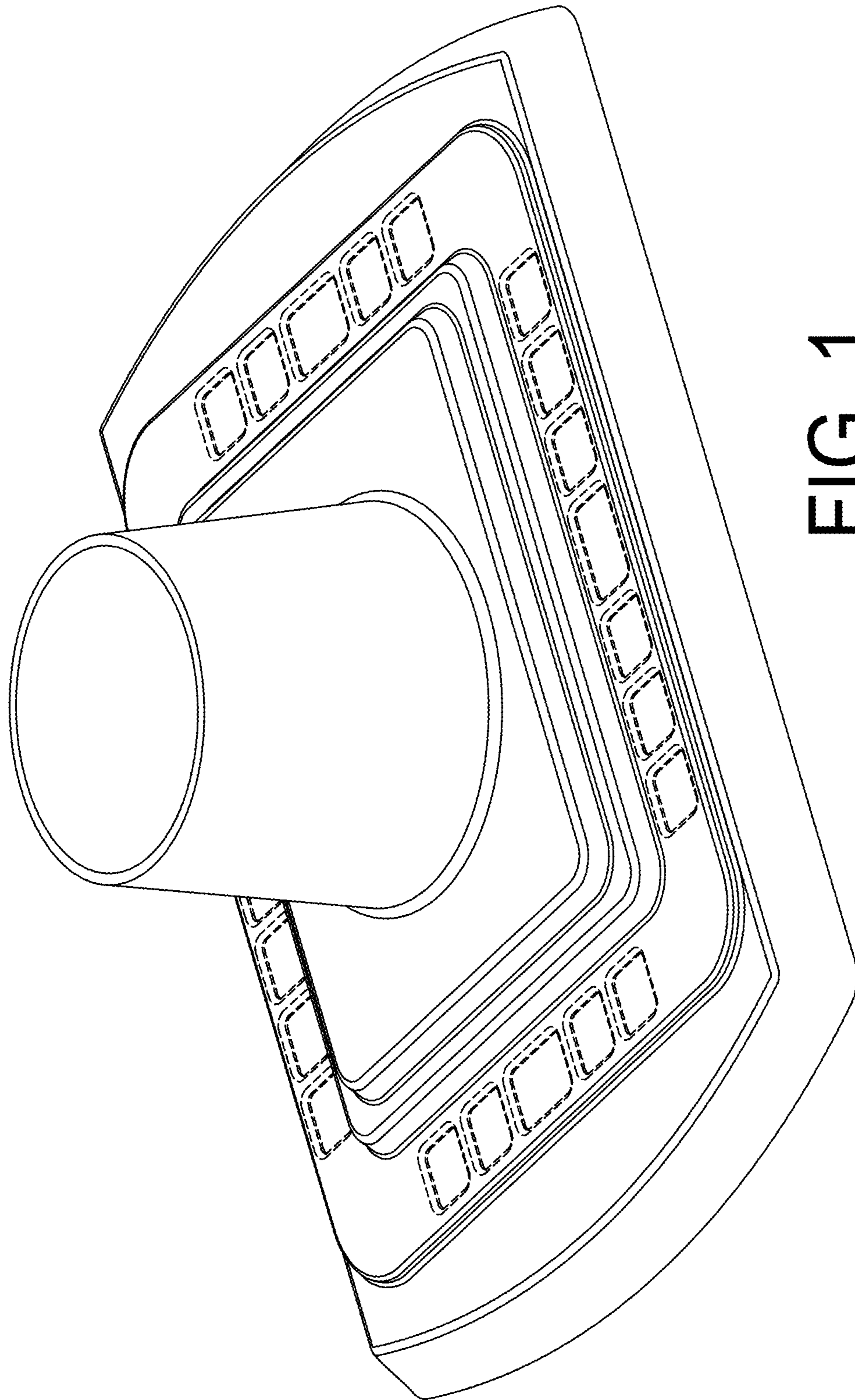


FIG. 1

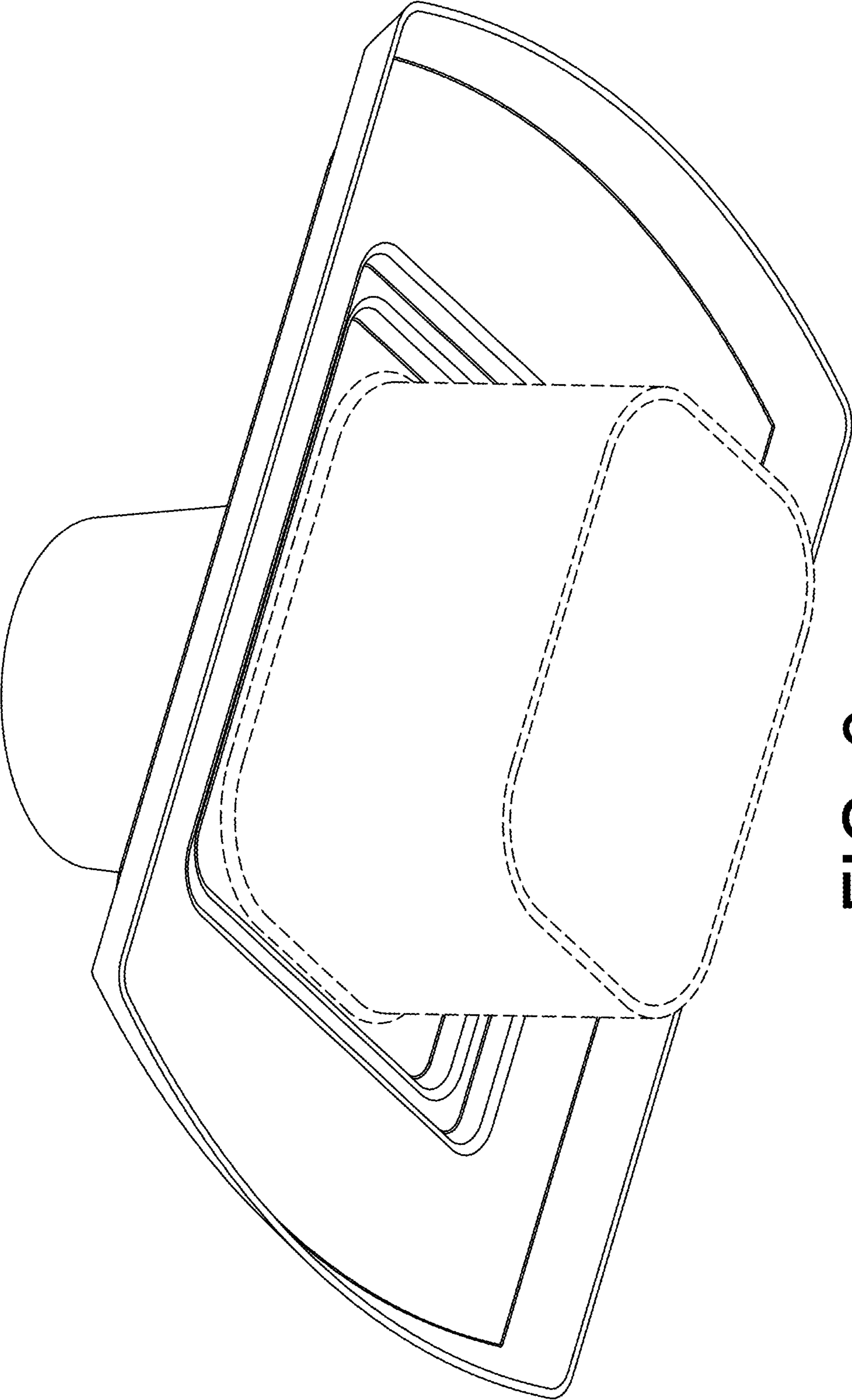


FIG. 2

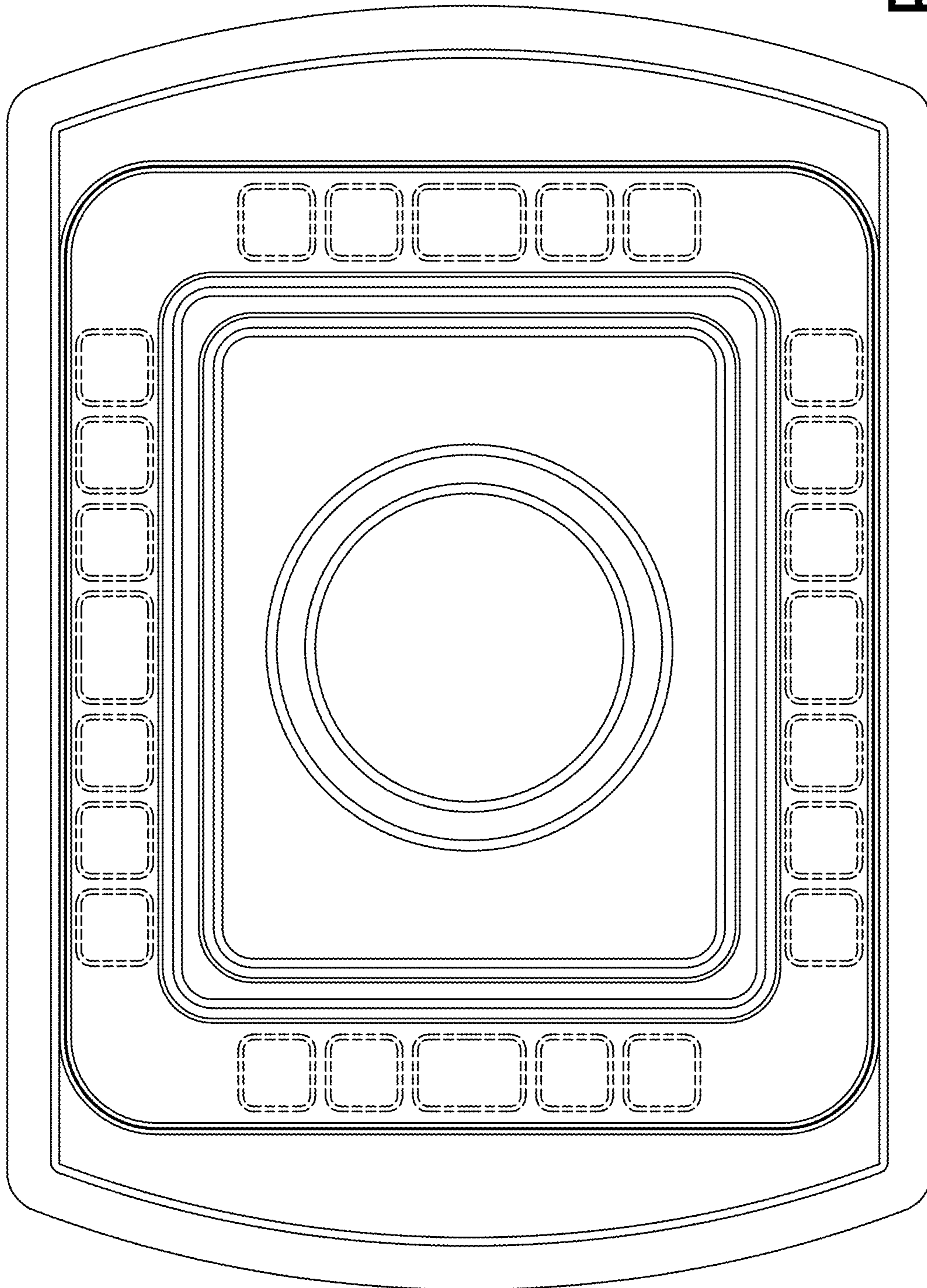
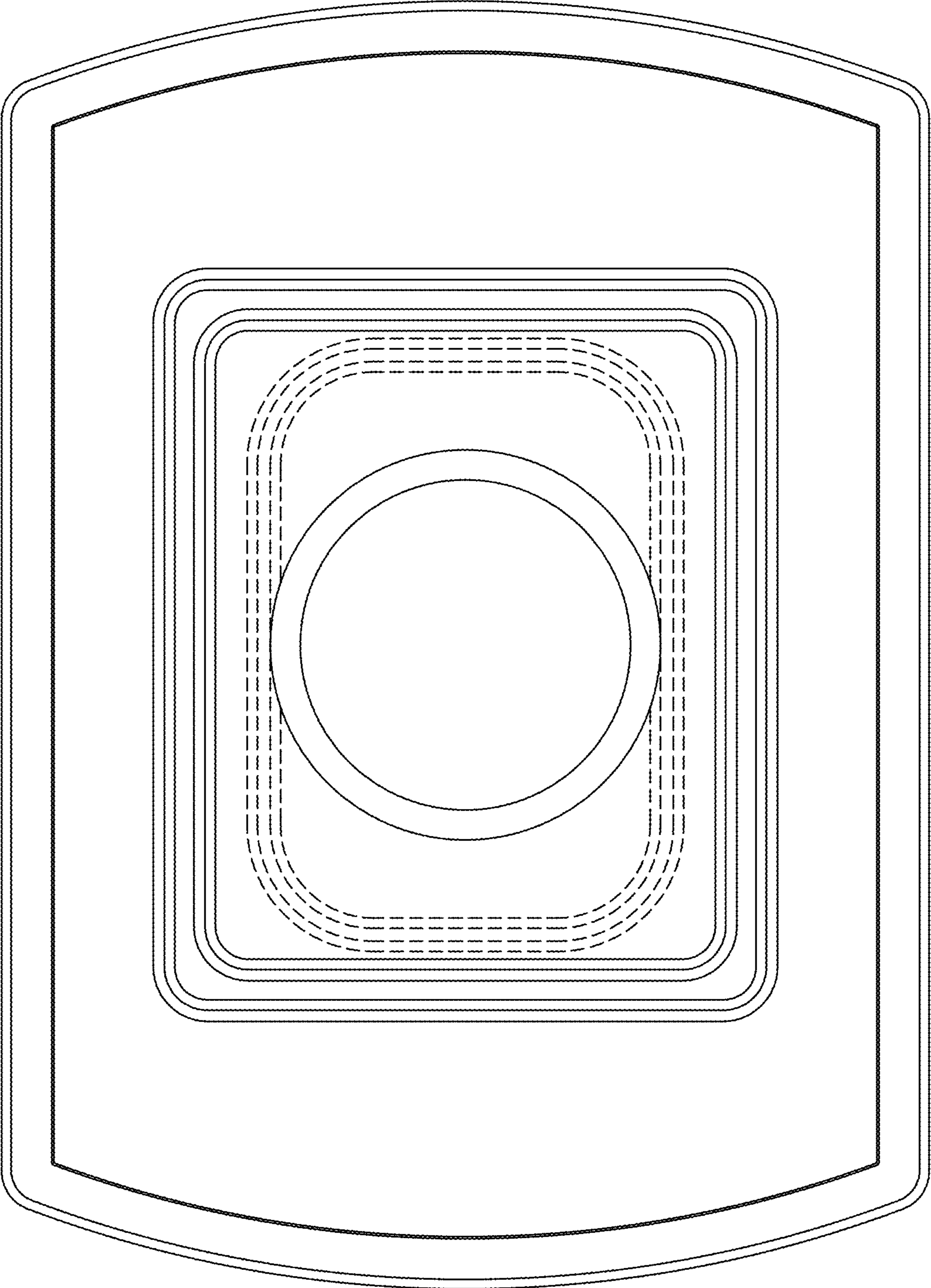


FIG. 3

FIG. 4



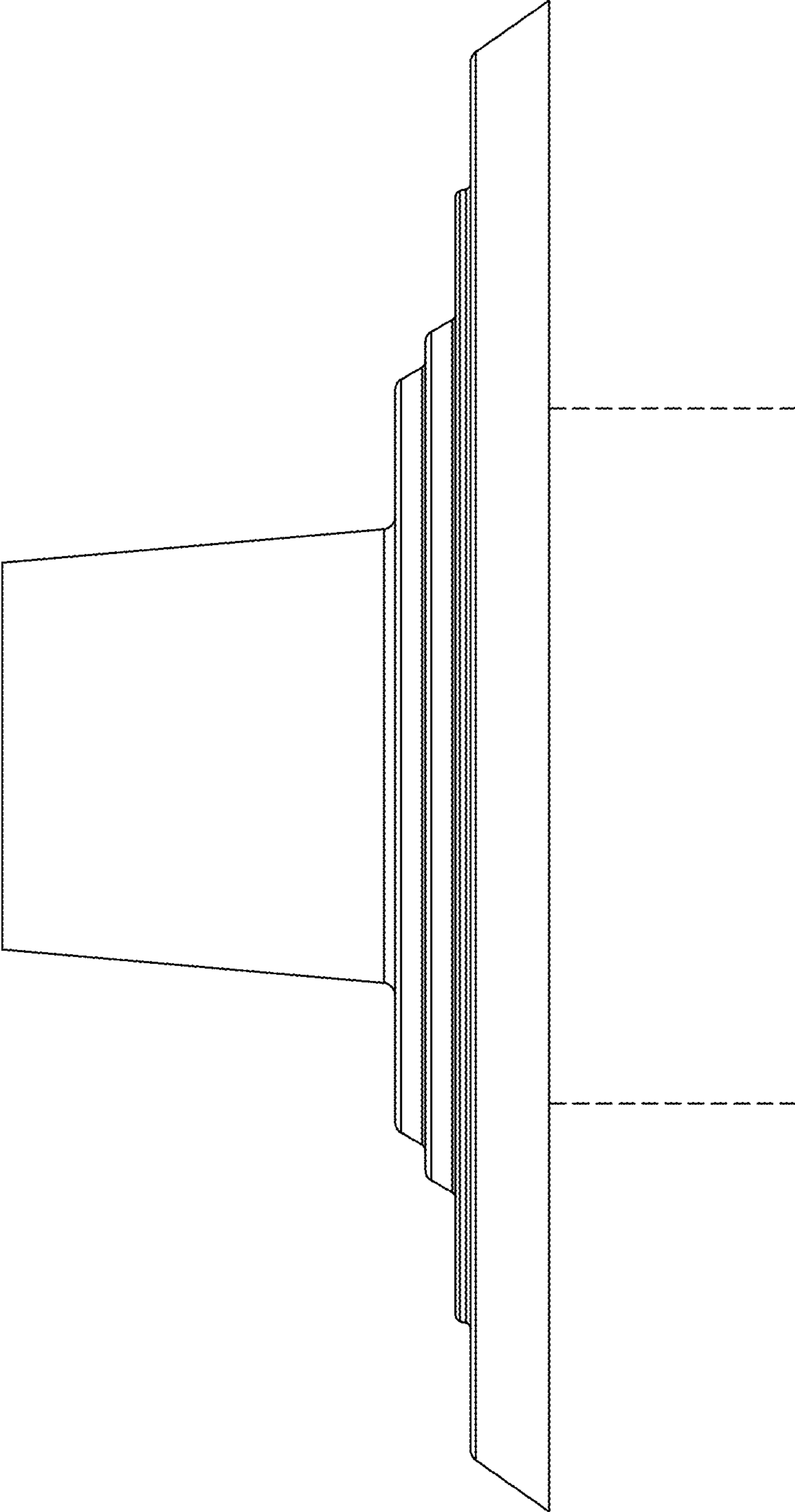


FIG. 5

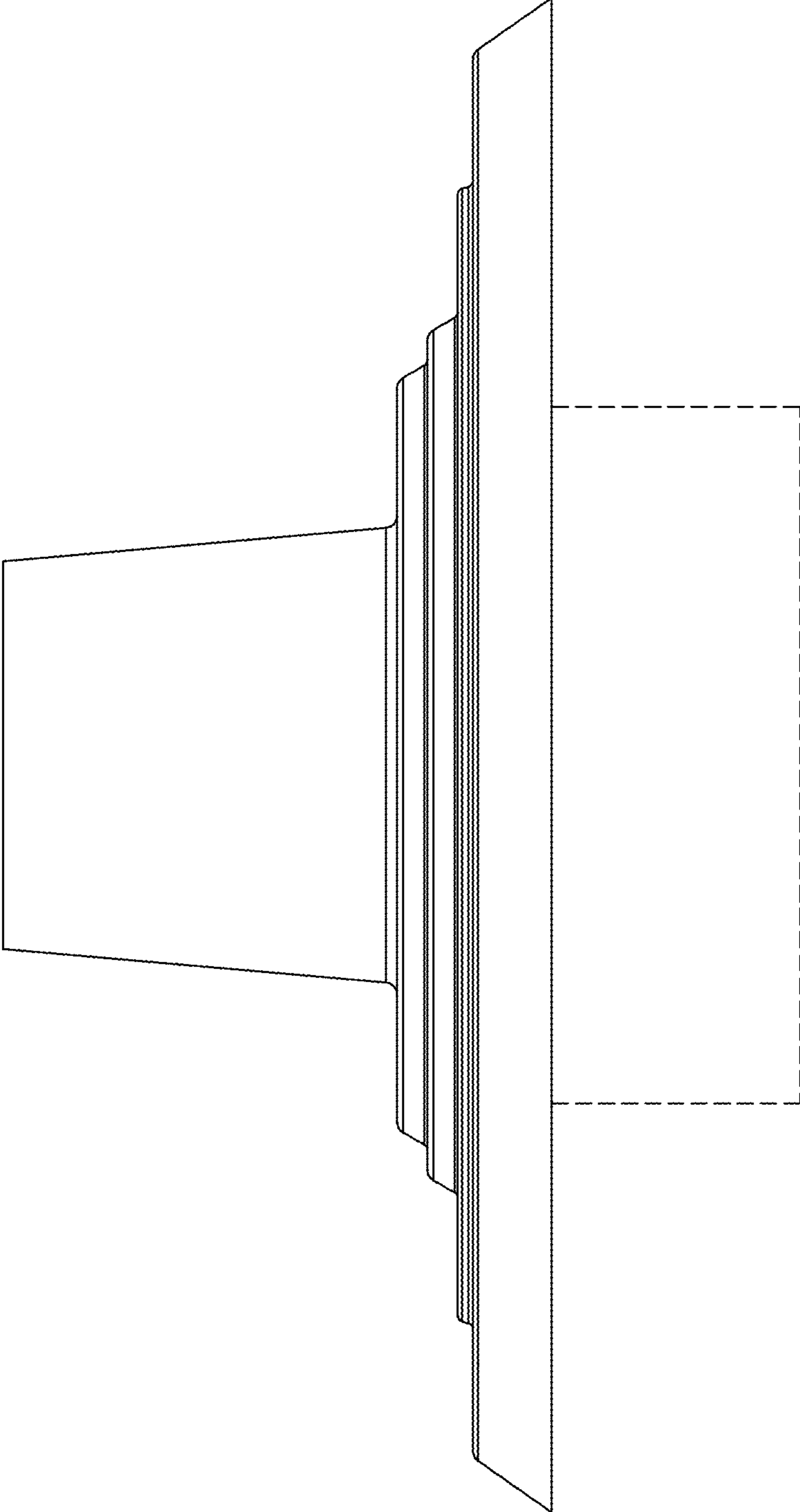


FIG. 6

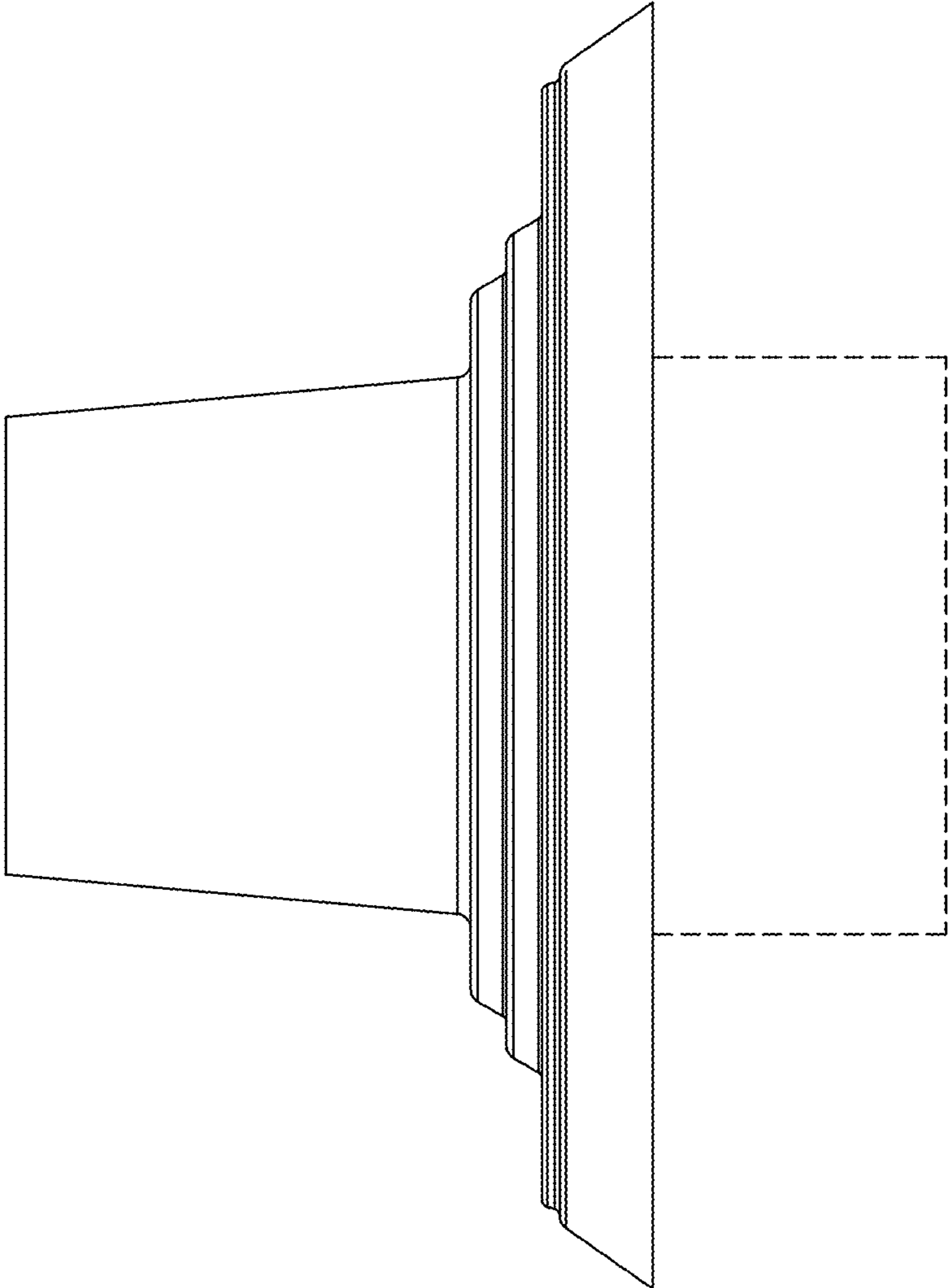


FIG. 7

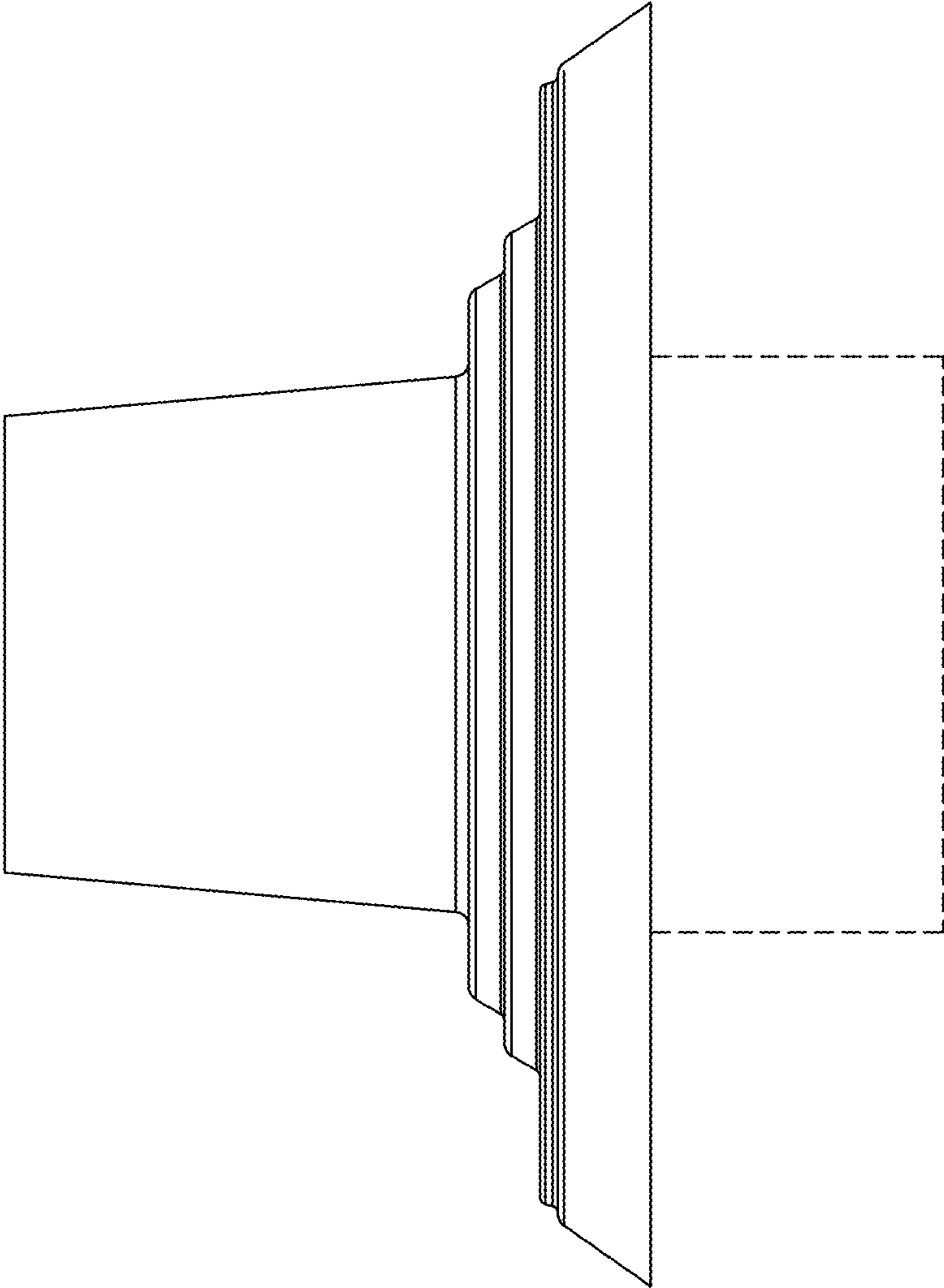


FIG. 8