



US00D904647S

(12) **United States Design Patent** (10) **Patent No.:** **US D904,647 S**  
**Amrine et al.** (45) **Date of Patent:** **\*\* Dec. 8, 2020**

(54) **LAWN EDGING CONNECTOR** 5,414,956 A \* 5/1995 Kheradpir ..... A01G 9/28  
 47/33  
 (71) Applicant: **Dimex, LLC**, Marietta, OH (US) D372,547 S \* 8/1996 Sjodin ..... D25/164  
 D378,857 S \* 4/1997 Hale ..... D25/164  
 5,640,801 A \* 6/1997 Rynberk ..... A01G 9/28  
 47/33  
 (72) Inventors: **Patrick Amrine**, Williamstown, WV  
 (US); **Lyle A. James**, Kettering, OH  
 (US); **Kevin R. Morey**, Marietta, OH  
 (US) 5,926,999 A 7/1999 Vernon et al.  
 D424,714 S \* 5/2000 Hale ..... D25/164  
 6,085,458 A \* 7/2000 Gau ..... A01G 9/28  
 47/33  
 (73) Assignee: **Dimex, LLC**, Marietta, OH (US) 6,324,783 B1 \* 12/2001 McIntyre ..... A01G 9/28  
 47/33  
 (\*\*) Term: **15 Years** D453,578 S \* 2/2002 Olson ..... D25/164  
 6,379,078 B1 4/2002 Zwier  
 6,397,413 B2 6/2002 Epstein et al.  
 6,839,920 B2 1/2005 Schulte

(Continued)

(21) Appl. No.: **29/681,426**  
 (22) Filed: **Feb. 26, 2019**  
 (51) **LOC (12) Cl.** ..... **25-01**  
 (52) **U.S. Cl.**  
 USPC ..... **D25/164**  
 (58) **Field of Classification Search**  
 USPC ..... D25/102, 119, 164; D8/349, 394-396  
 CPC ..... E01C 11/22; E01C 11/221; Y10S 30/05;  
 A01G 9/28; E02D 5/80; E02D 5/805;  
 A47G 27/045; A47G 27/0456; A47G  
 27/0462

See application file for complete search history.

(56) **References Cited**  
 U.S. PATENT DOCUMENTS  
 2,184,904 A 12/1939 Boehme  
 3,008,173 A \* 11/1961 Goss ..... A47G 27/0462  
 16/16  
 3,788,001 A 1/1974 Balfanz, Jr.  
 3,841,022 A 10/1974 Thodos  
 4,349,596 A 9/1982 Hendrix  
 4,372,079 A 2/1983 Trageser  
 4,628,632 A 12/1986 Zwier  
 4,831,776 A 5/1989 Fritch  
 4,969,289 A 11/1990 Trifiletti  
 5,157,867 A 10/1992 Fritch  
 D339,199 S \* 9/1993 Rynberk ..... D25/164  
 5,259,154 A 11/1993 Lilley

*Primary Examiner* — Llorellys Martinez  
 (74) *Attorney, Agent, or Firm* — Wood Herron & Evans  
 LLP

(57) **CLAIM**

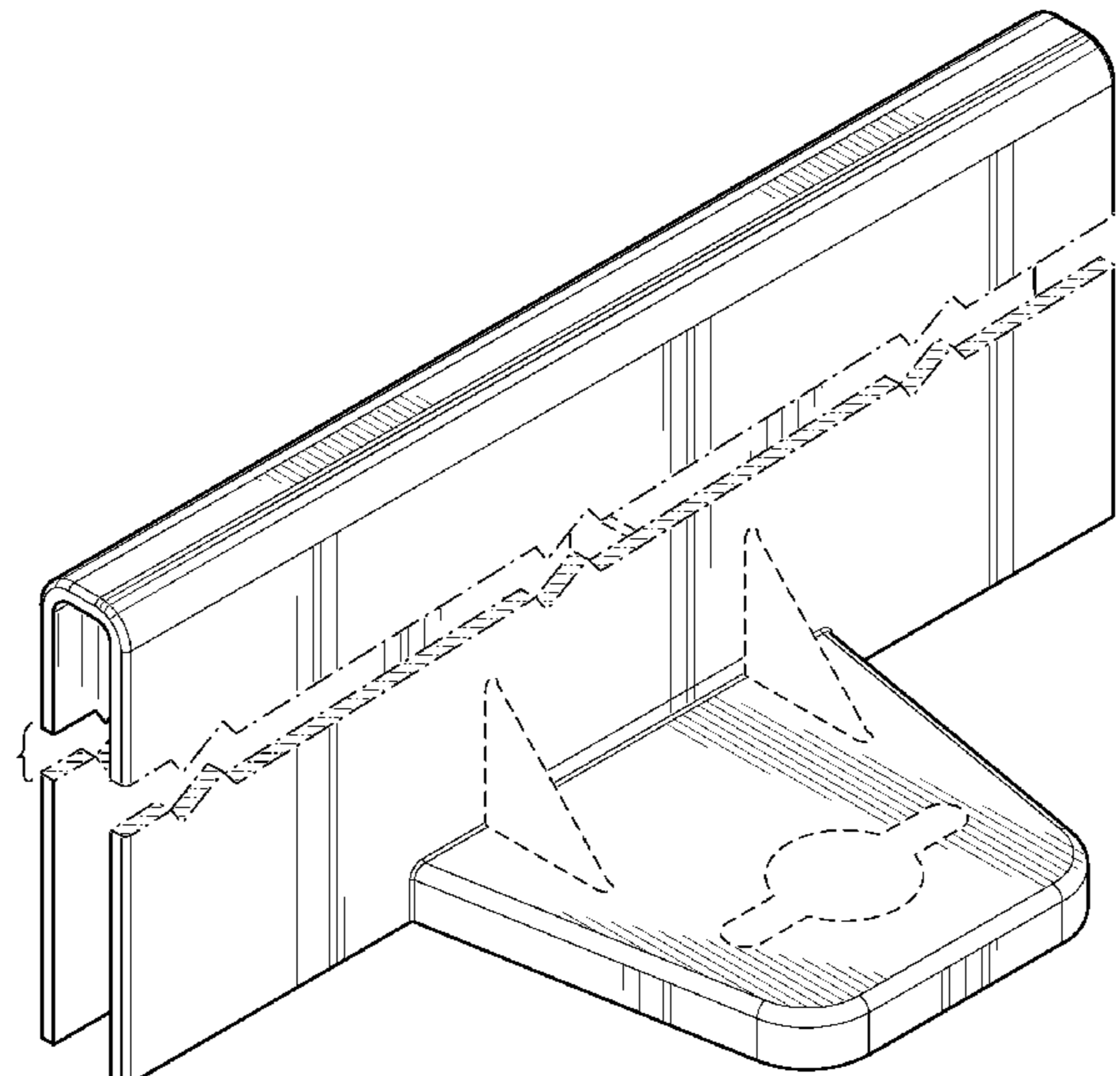
The ornamental design for a lawn edging connector, as shown and described.

**DESCRIPTION**

FIG. 1 is a front perspective view of a lawn edging connector showing our new design;  
 FIG. 2 is a front view thereof;  
 FIG. 3 is a rear view thereof;  
 FIG. 4 is a right side view thereof;  
 FIG. 5 is a left side view thereof;  
 FIG. 6 is a top view thereof; and,  
 FIG. 7 is a bottom view thereof.

The broken lines in the drawings illustrate portions of the lawn edging connector that form no part of the claimed design. The lawn edging connector is shown with a symbolic break in its length. The appearance of any portion of the lawn edging connector between the break lines forms no part of the claimed design.

**1 Claim, 3 Drawing Sheets**



(56)

References Cited

U.S. PATENT DOCUMENTS

6,931,798 B1 *	8/2005	Pocai .....	A01G 9/28	52/102	2008/0163566 A1 *	7/2008	Bella .....	A01G 9/28	52/102
D541,952 S *	5/2007	Keeley .....	D25/119		2008/0235921 A1 *	10/2008	Zwier .....	A01G 9/28	24/545
D543,286 S *	5/2007	Keeley .....	D25/119		2009/0013597 A1 *	1/2009	Orton .....	A01G 9/28	47/33
D548,368 S	8/2007	Hale et al.			2012/0276342 A1 *	11/2012	Bray .....	A01G 9/28	428/174
D586,005 S *	2/2009	Schumaker .....	D25/164		2014/0169864 A1 *	6/2014	Ballard .....	A01G 9/28	403/287
D595,429 S *	6/2009	Orton .....	D25/164		2015/0252532 A1 *	9/2015	Alferi, III .....	E01C 5/005	404/37
D612,072 S *	3/2010	Keeley .....	D25/164		2015/0252536 A1 *	9/2015	Alferi, III .....	E01C 11/221	404/7
8,585,313 B2	11/2013	Wojotowicz et al.			2019/0174685 A1 *	6/2019	Wang .....	A01G 9/28	
D733,936 S *	7/2015	Amrine .....	D25/164						
D748,822 S *	2/2016	Amrine .....	D25/119						
D748,823 S *	2/2016	Amrine .....	D25/119						
D773,074 S *	11/2016	Amrine .....	D25/164						
D797,320 S *	9/2017	Amrine .....	D25/164						
D800,352 S *	10/2017	Amrine .....	D25/164						
D827,872 S *	9/2018	Amrine .....	D25/164						
D840,058 S *	2/2019	Amrine .....	D25/164						

\* cited by examiner

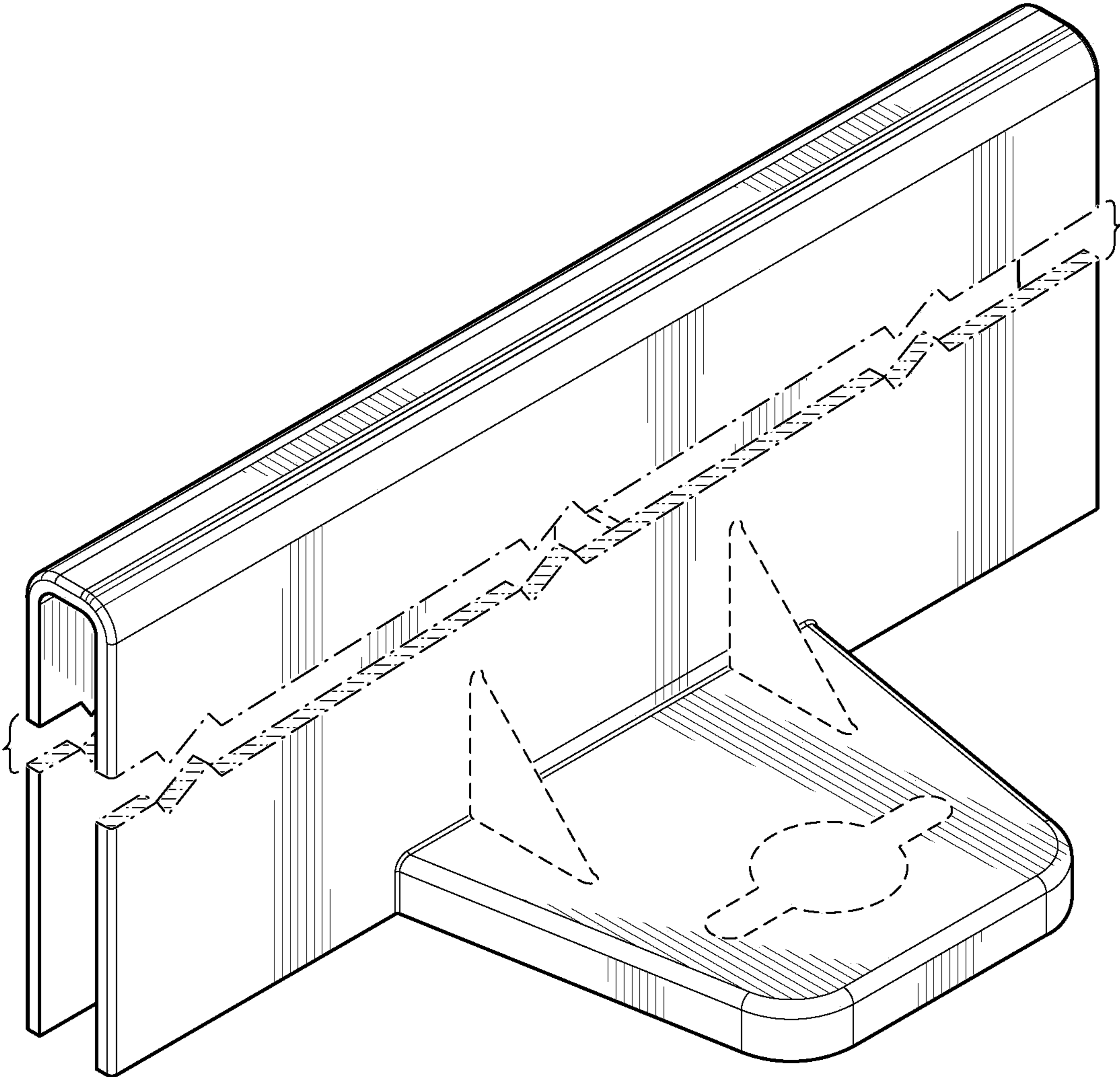


FIG. 1



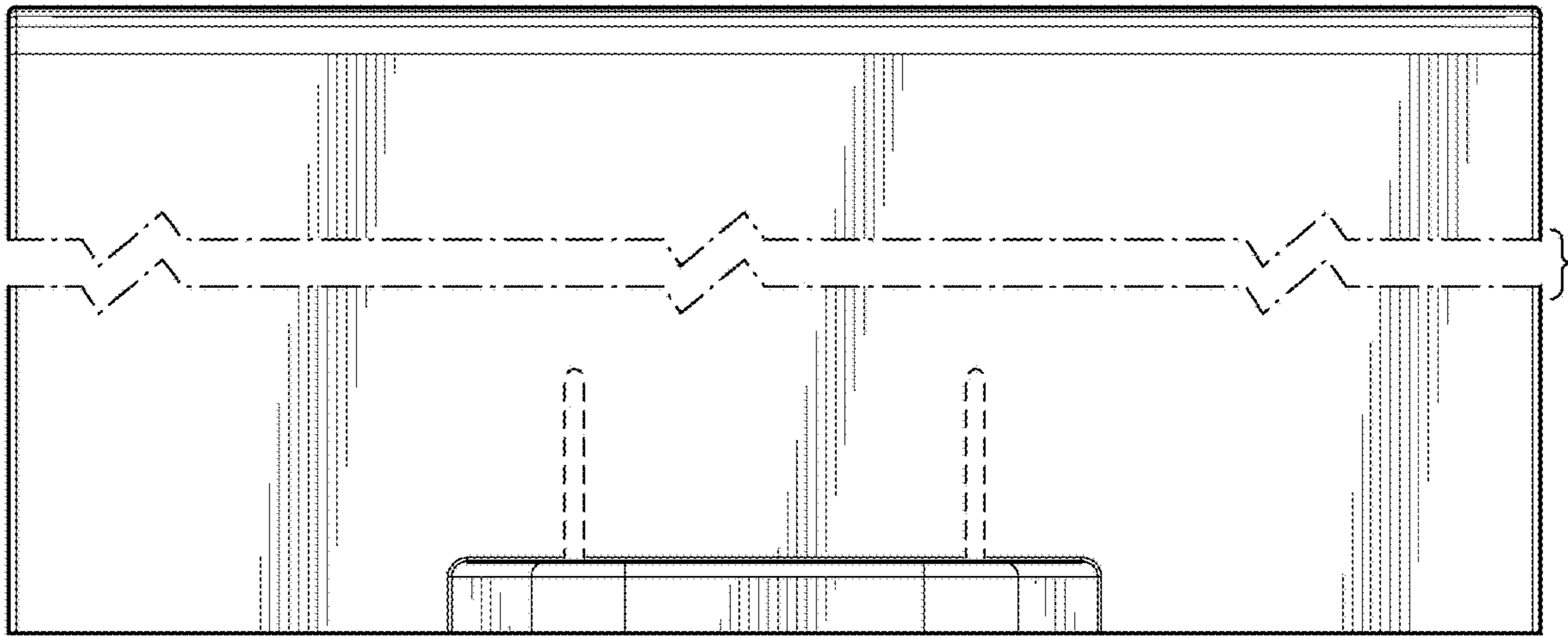


FIG. 2

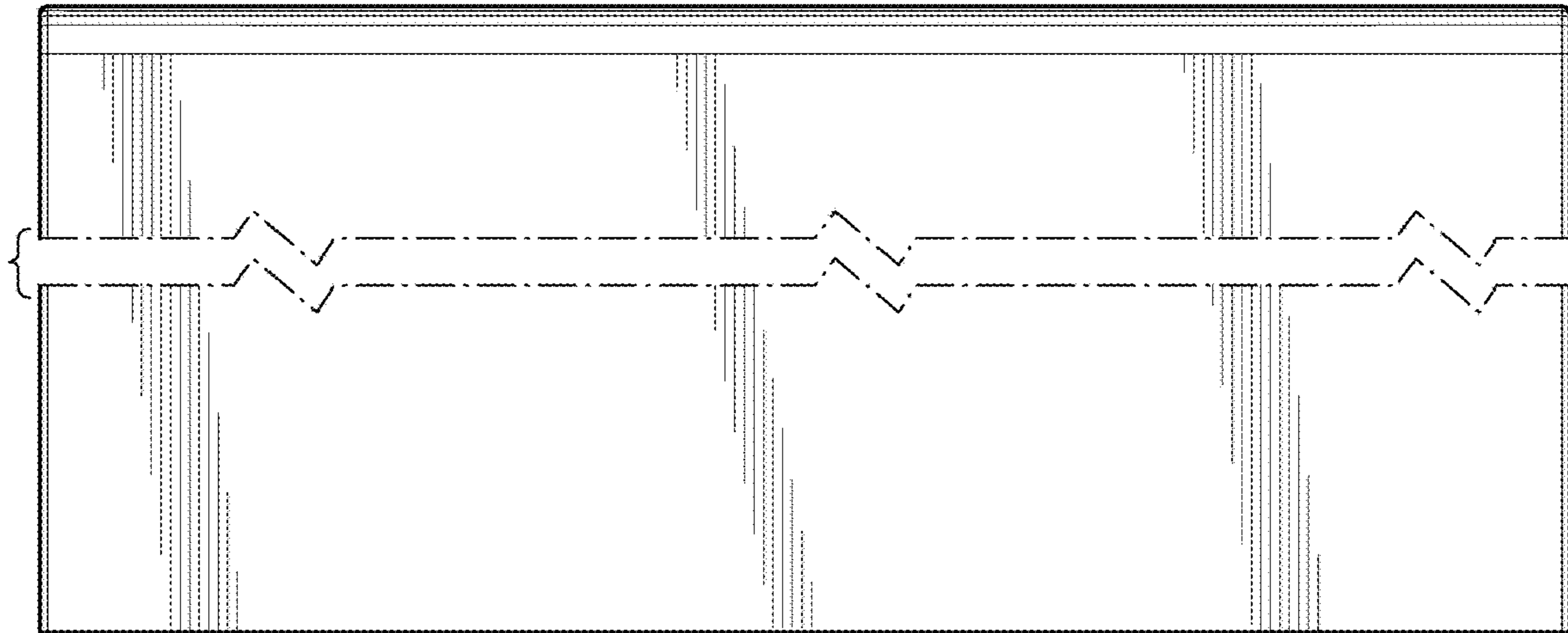


FIG. 3

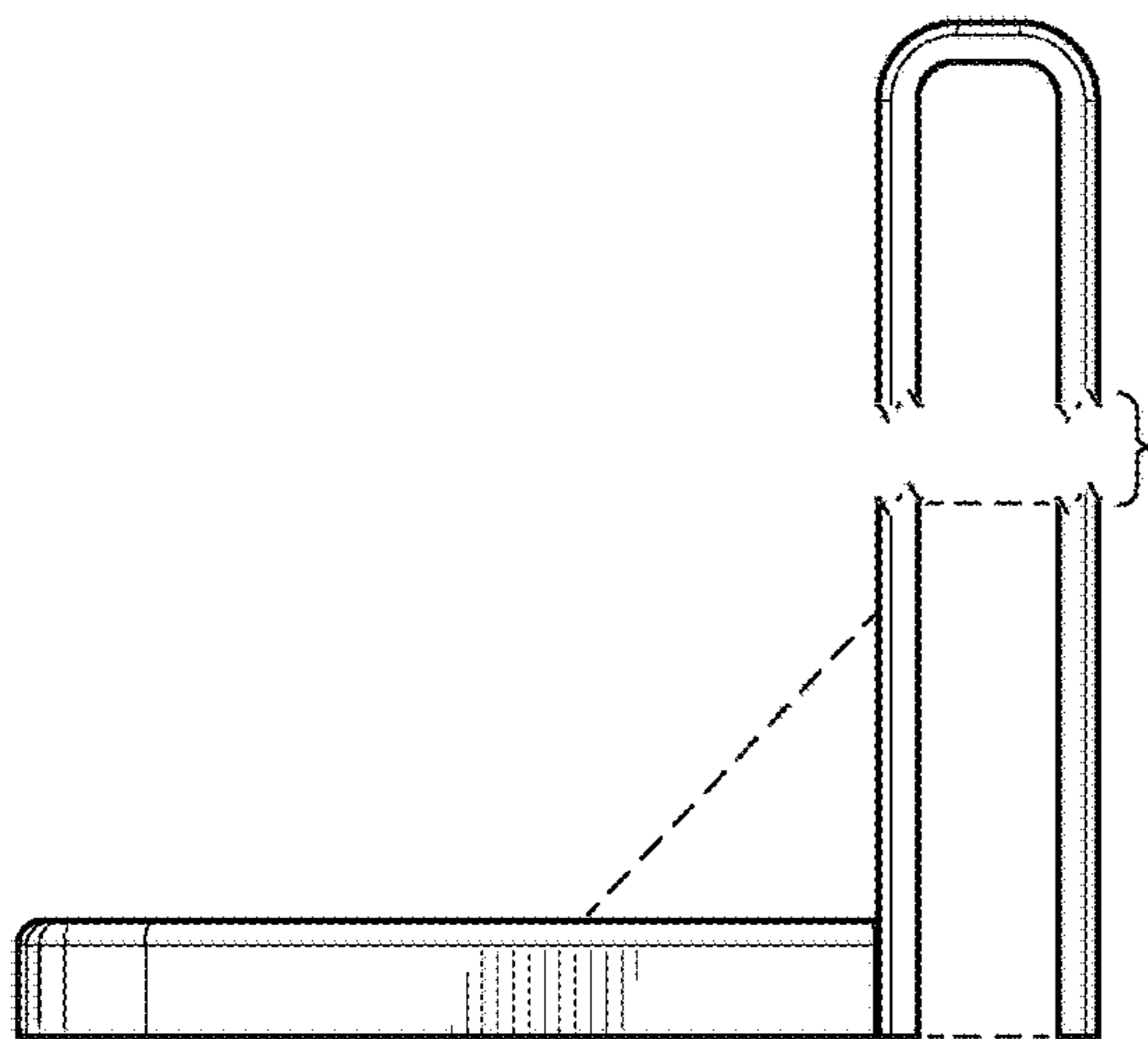


FIG. 4

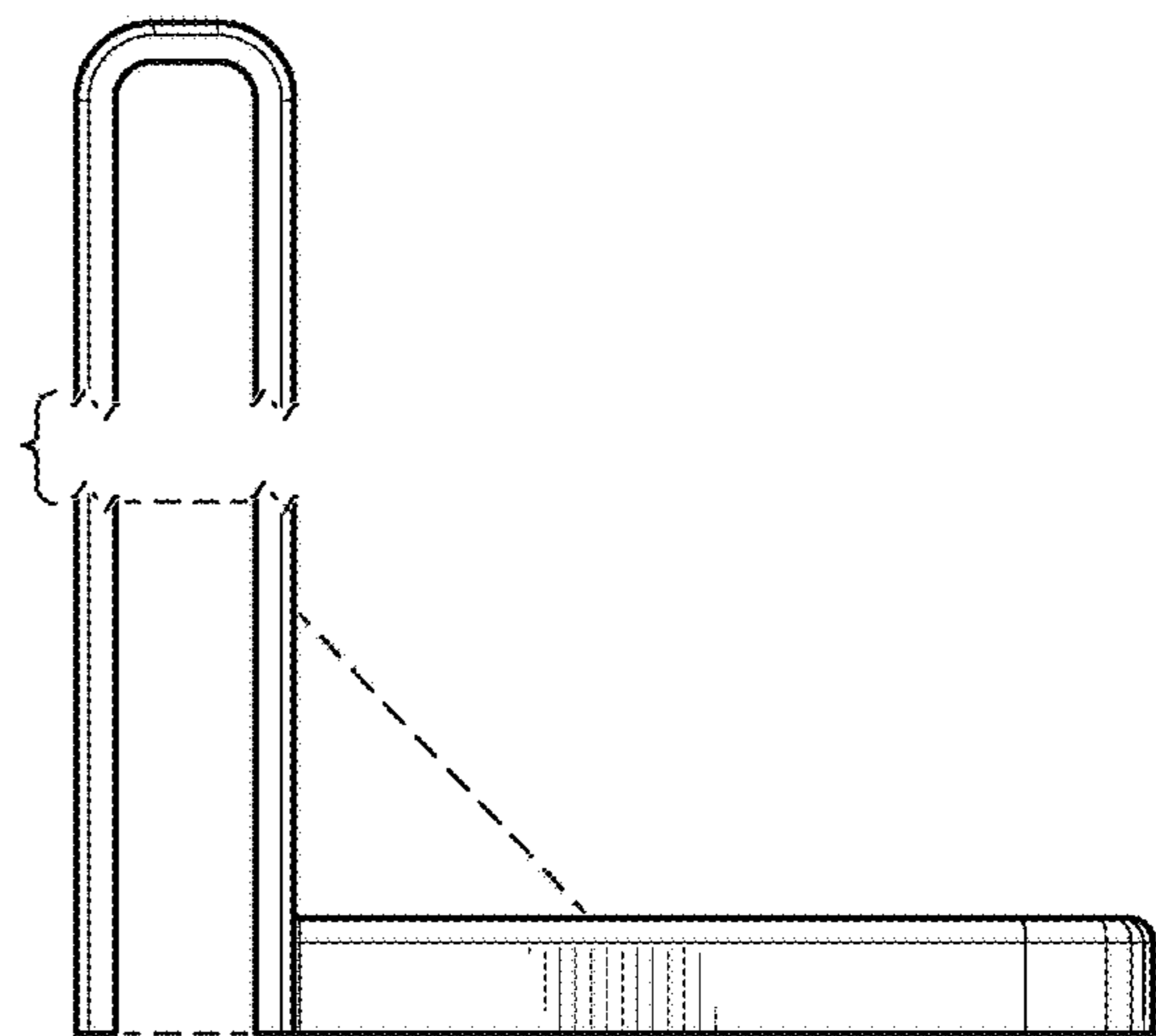


FIG. 5

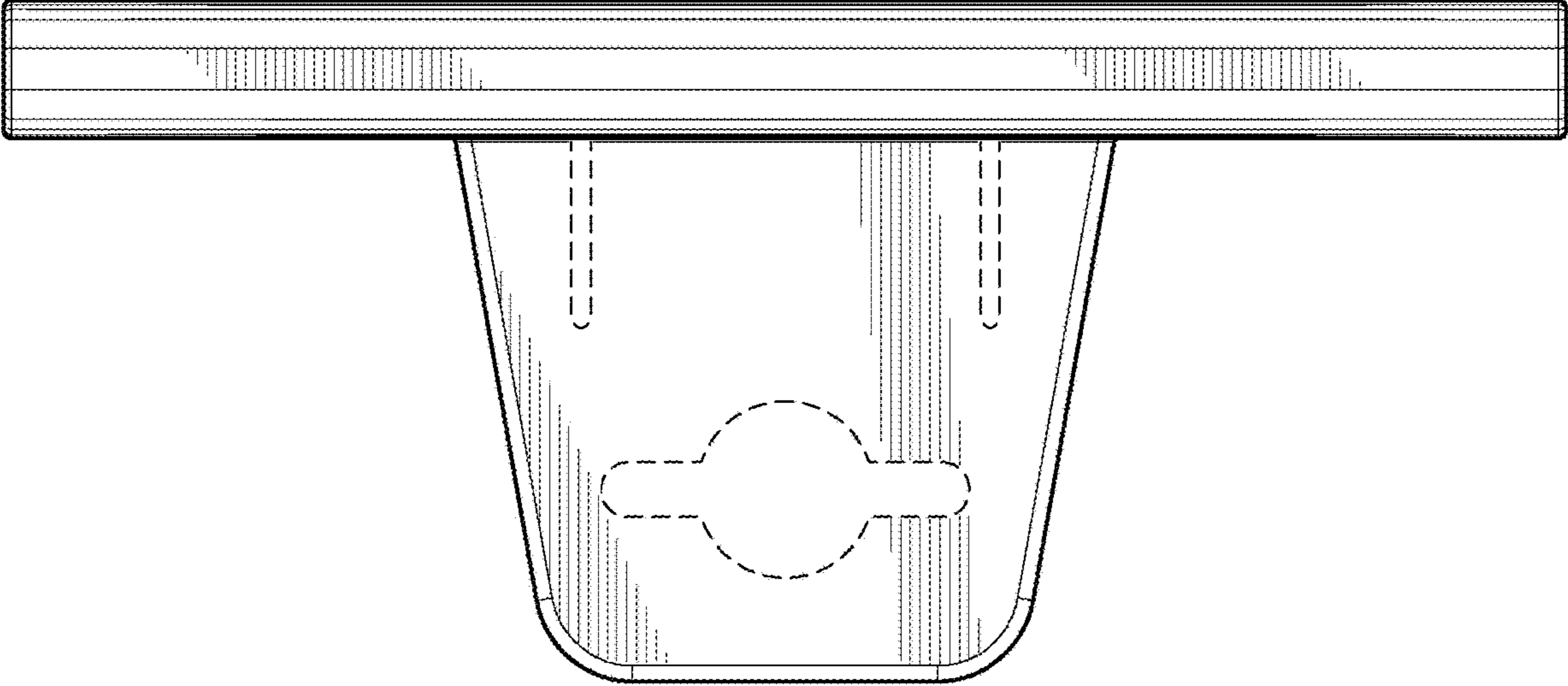


FIG. 6

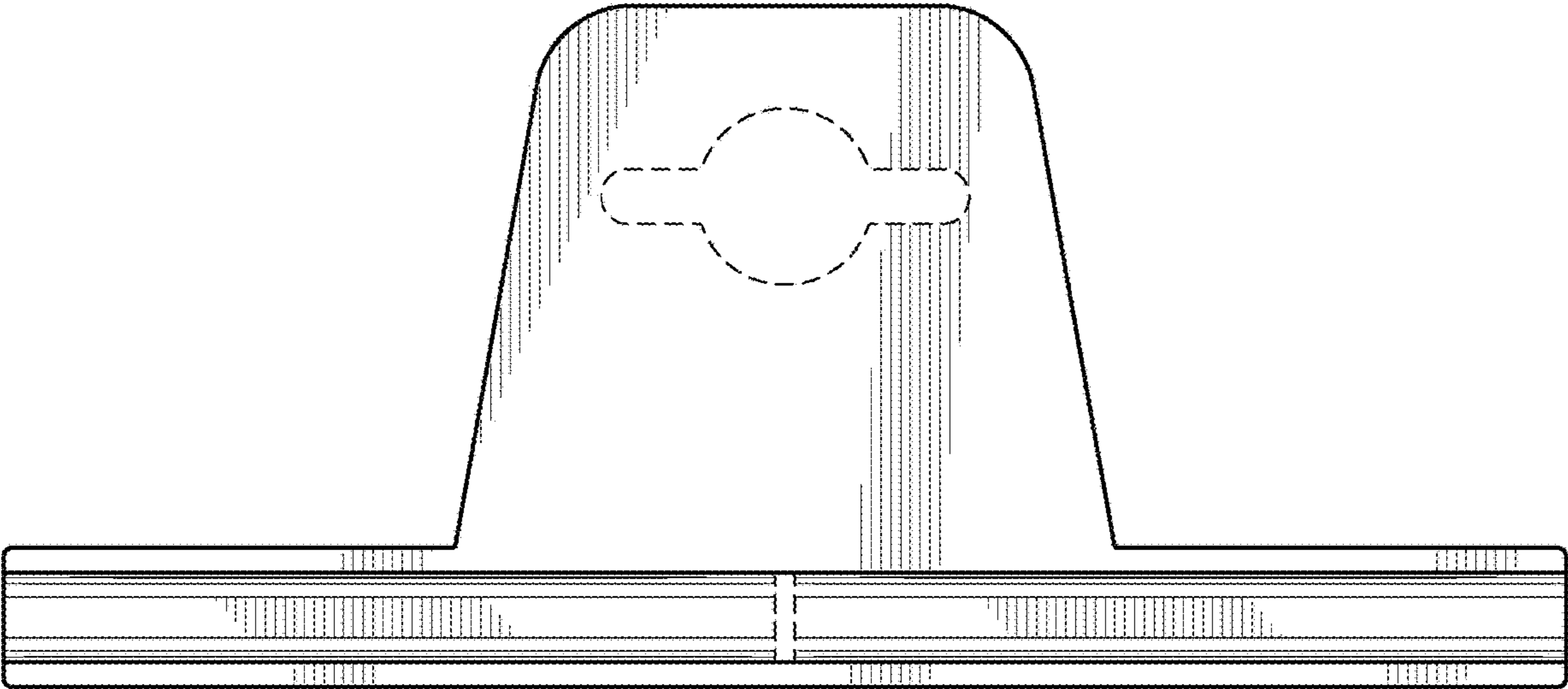


FIG. 7