



US00D904646S

(12) **United States Design Patent** (10) **Patent No.:** **US D904,646 S**
Reed (45) **Date of Patent:** **** Dec. 8, 2020**

(54) **LANDSCAPE EDGING**
(71) Applicant: **Dale J. Reed**, Howell, MI (US)
(72) Inventor: **Dale J. Reed**, Howell, MI (US)
(**) Term: **15 Years**
(21) Appl. No.: **29/674,416**
(22) Filed: **Dec. 21, 2018**
(51) **LOC (12) Cl.** **25-01**
(52) **U.S. Cl.**
USPC **D25/164**
(58) **Field of Classification Search**
USPC D25/102, 119–123, 138, 164; D8/349,
D8/354, 382–384, 394–396; D20/43–44
CPC .. Y10S 30/05; A01G 9/28; E02D 5/80; E02D
5/805; A47G 27/045; A47G 27/0456;
A47G 27/0462
See application file for complete search history.

(56) **References Cited**

U.S. PATENT DOCUMENTS

D151,022 S * 9/1948 Webber et al. D25/164
4,580,374 A * 4/1986 Quinnell E04D 13/158
52/95
D296,707 S * 7/1988 Vea D20/44
D346,618 S * 5/1994 Holmes D20/44
5,377,447 A * 1/1995 Fritch A01G 9/28
47/33
D364,233 S * 11/1995 Caley D25/119
D364,234 S * 11/1995 Caley D25/119
D443,079 S * 5/2001 Neuhofer, Jr. D25/164
D453,534 S * 2/2002 Kosir D20/43
D460,567 S * 7/2002 McDonough D25/199
6,463,707 B1 * 10/2002 Schiedegger E04F 19/02
52/211
D481,932 S * 11/2003 Bess D25/199
D553,764 S * 10/2007 Vibiano D25/164

D640,533 S * 6/2011 Austro D8/382
D642,288 S * 7/2011 Jenny D25/138
D790,080 S * 6/2017 Mumford, Sr. D25/119
D790,081 S * 6/2017 Mumford, Sr. D25/119
D832,088 S * 10/2018 Heindl D8/382
D873,393 S * 1/2020 Gori D23/267
D873,980 S * 1/2020 Gori D25/119
2013/0305630 A1 * 11/2013 Heemskerk E04B 2/00
52/79.13
2014/0305063 A1 * 10/2014 Kim E04F 13/0803
52/489.1
2015/0342115 A1 * 12/2015 Webber A01G 3/06
56/289
2016/0017597 A1 * 1/2016 Holtschmidt E04F 13/08
52/394

* cited by examiner

Primary Examiner — Llorellys Martinez
(74) *Attorney, Agent, or Firm* — Mitchell Law PLLC;
Matthew W. Mitchell

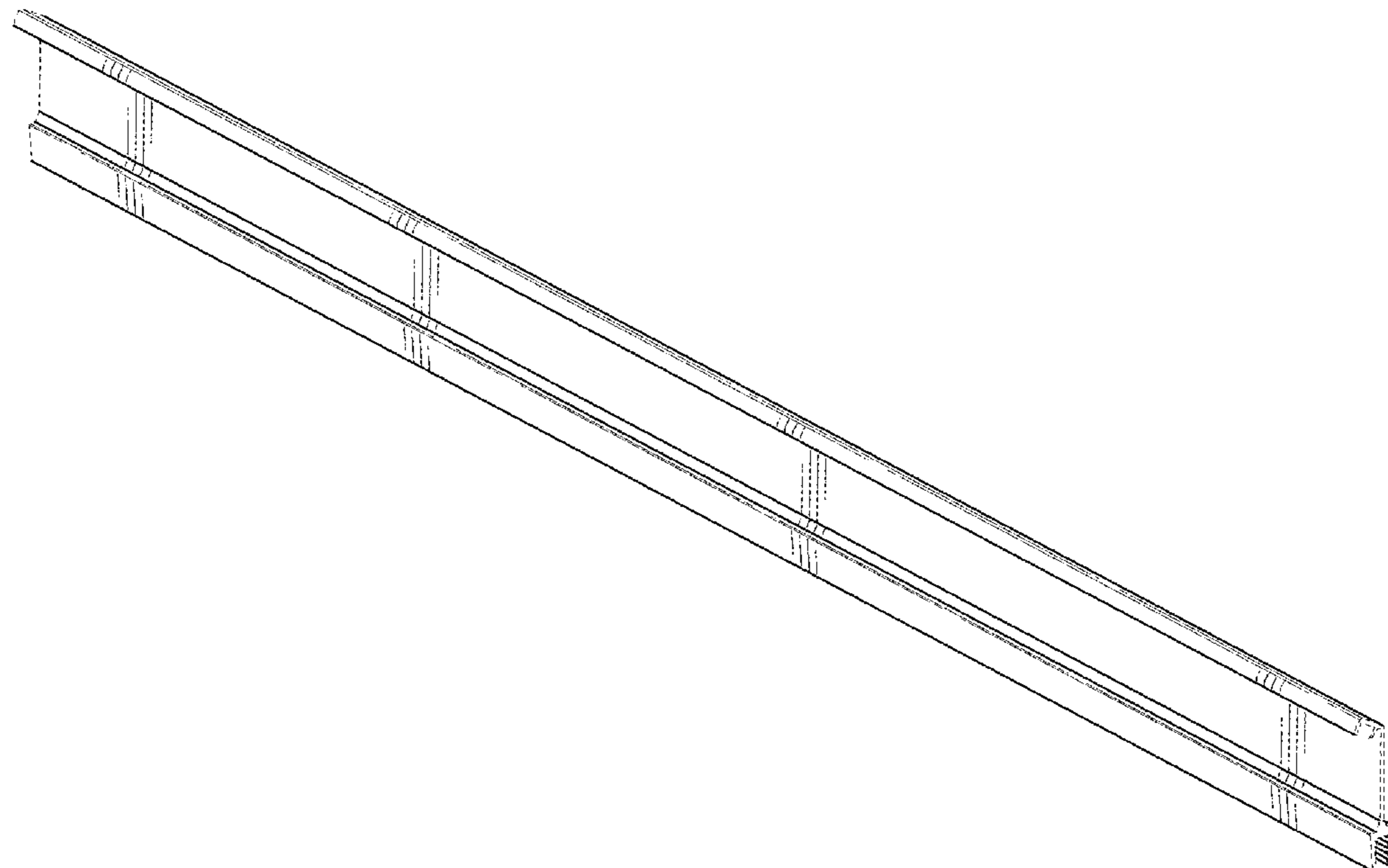
(57) **CLAIM**

The ornamental design for a landscape edging, as shown and described.

DESCRIPTION

FIG. 1 is a front isometric view of the landscape edging of the present invention;
FIG. 2 is rear isometric view thereof;
FIG. 3 is a front view thereof;
FIG. 4 is a rear view thereof;
FIG. 5 is a top plan view thereof; and
FIG. 6 is a bottom plan view thereof.
FIG. 7 is an enlarged right-side view thereof; and,
FIG. 8 is an enlarged left-side view thereof.
The broken lines in the drawings represent portions of the landscape edging that form no part of the claimed design.

1 Claim, 8 Drawing Sheets



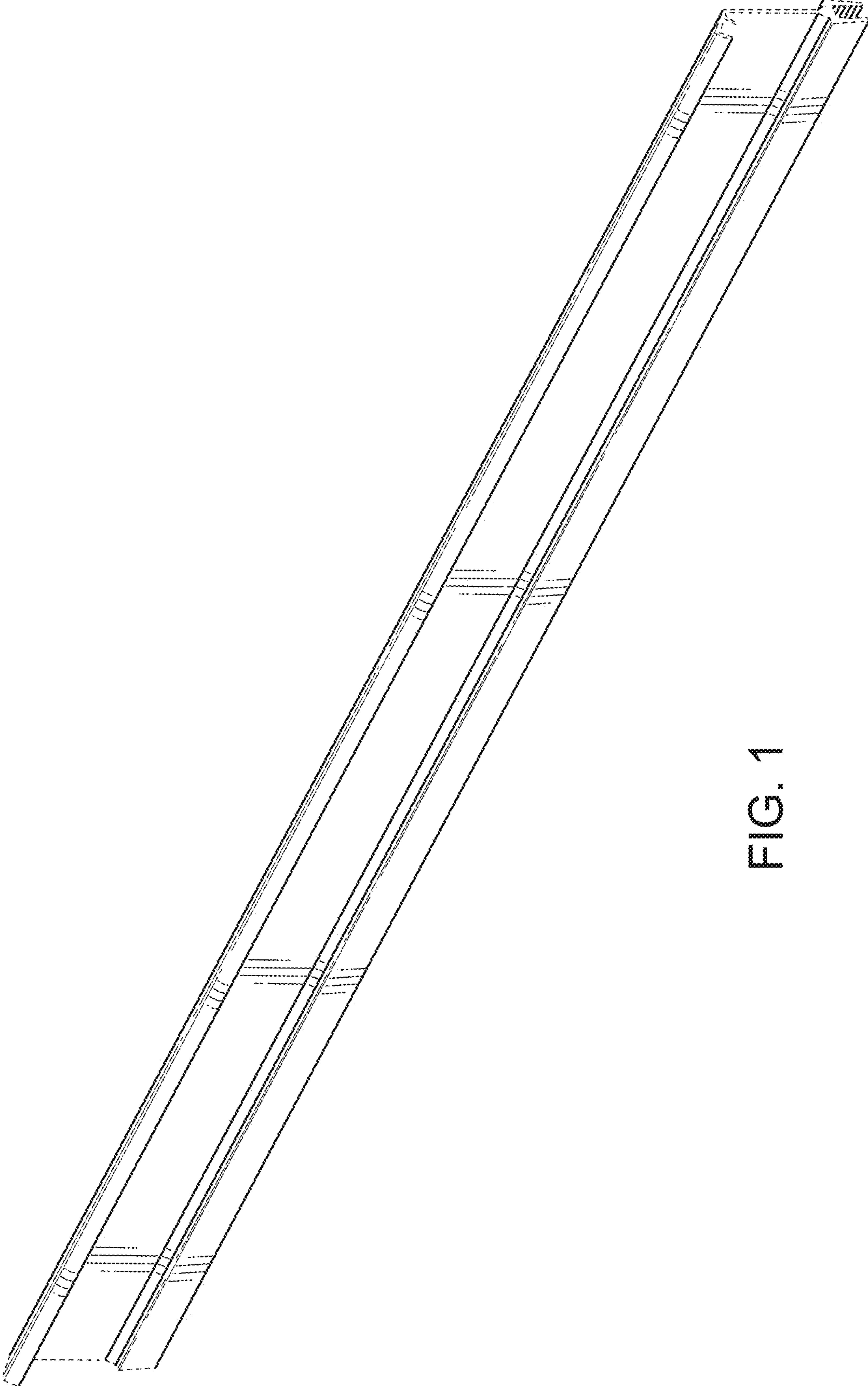


FIG. 1

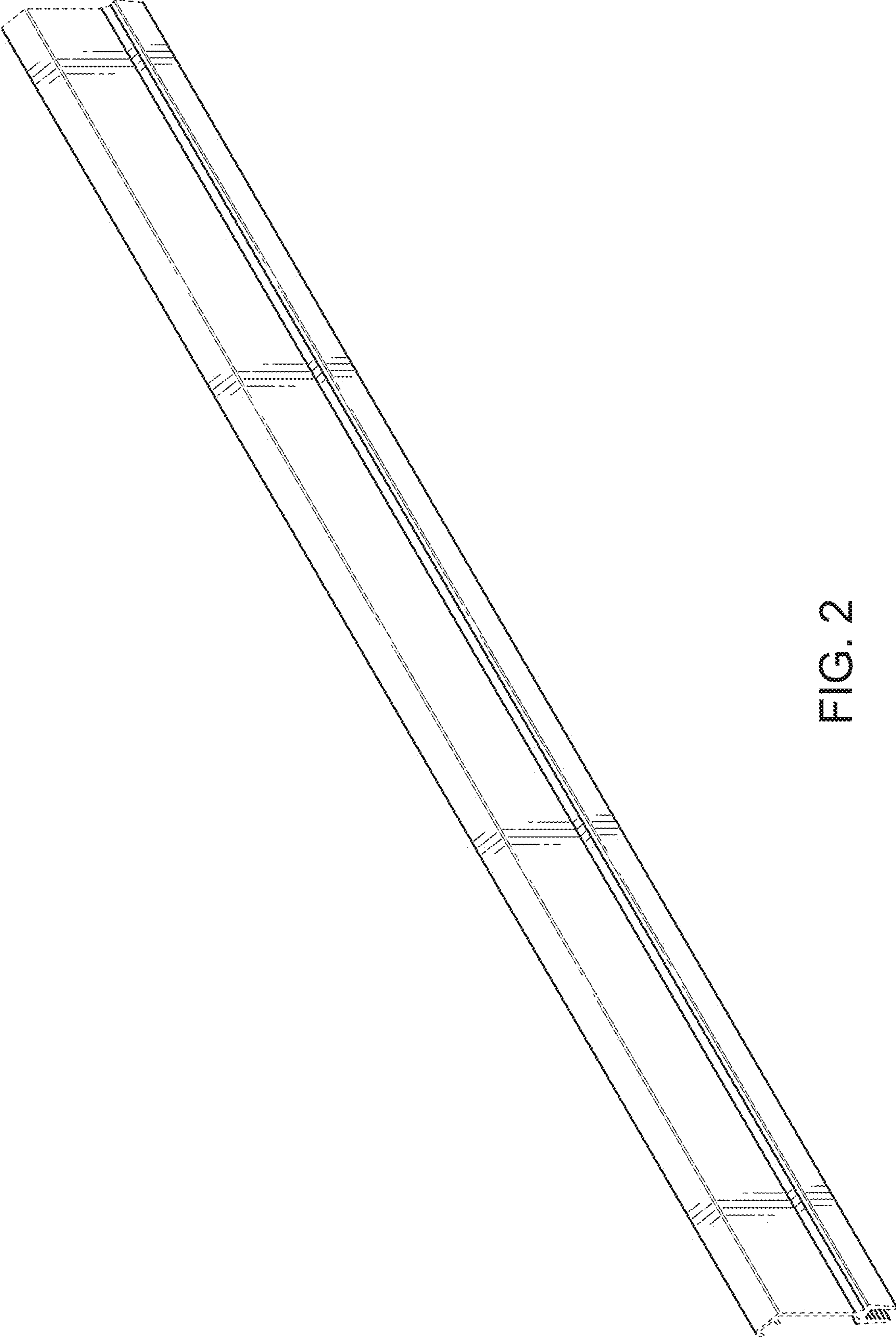


FIG. 2

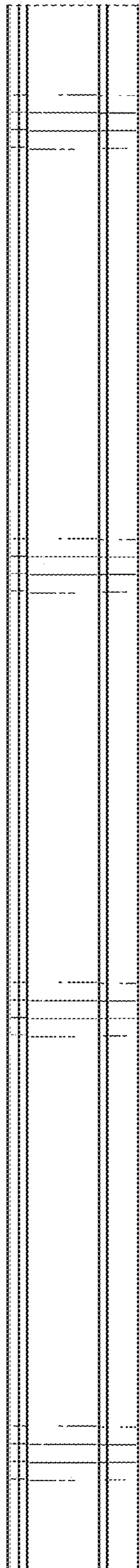


FIG. 3

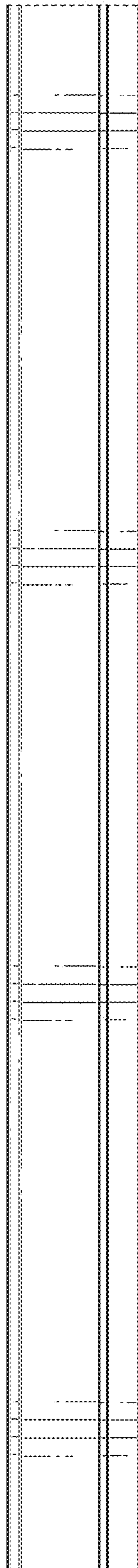


FIG. 4



FIG. 5

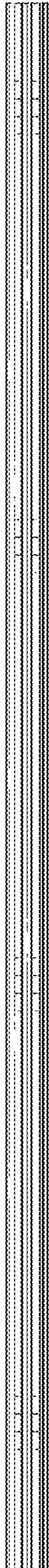


FIG. 6

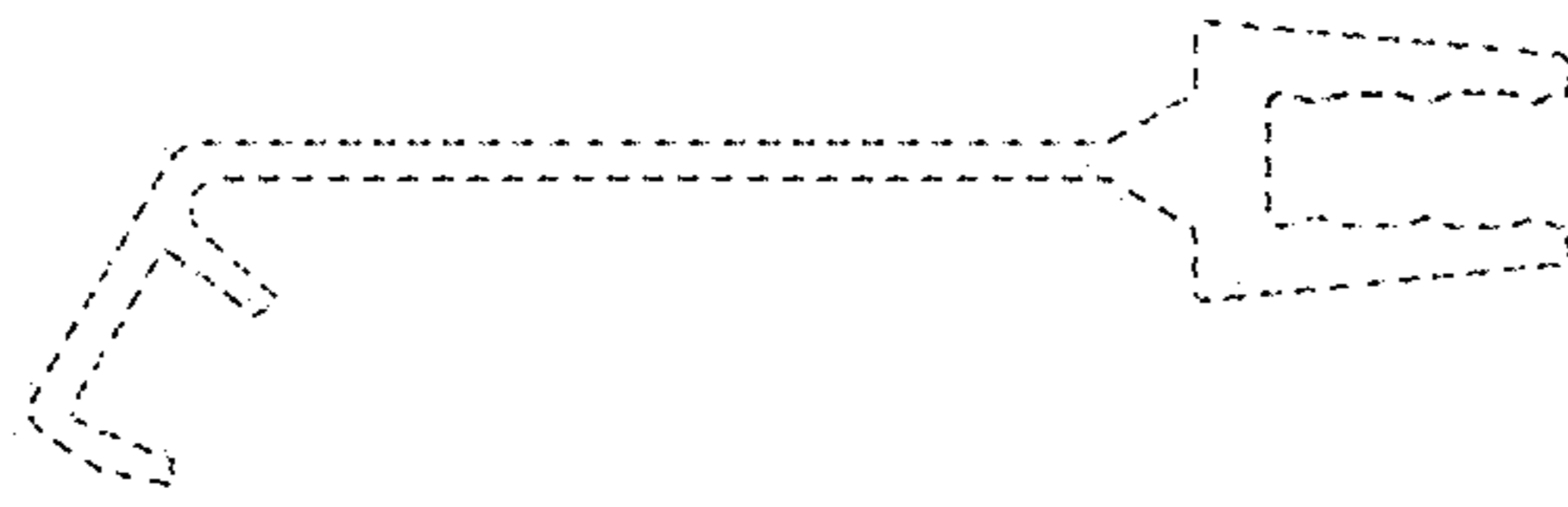


FIG. 7

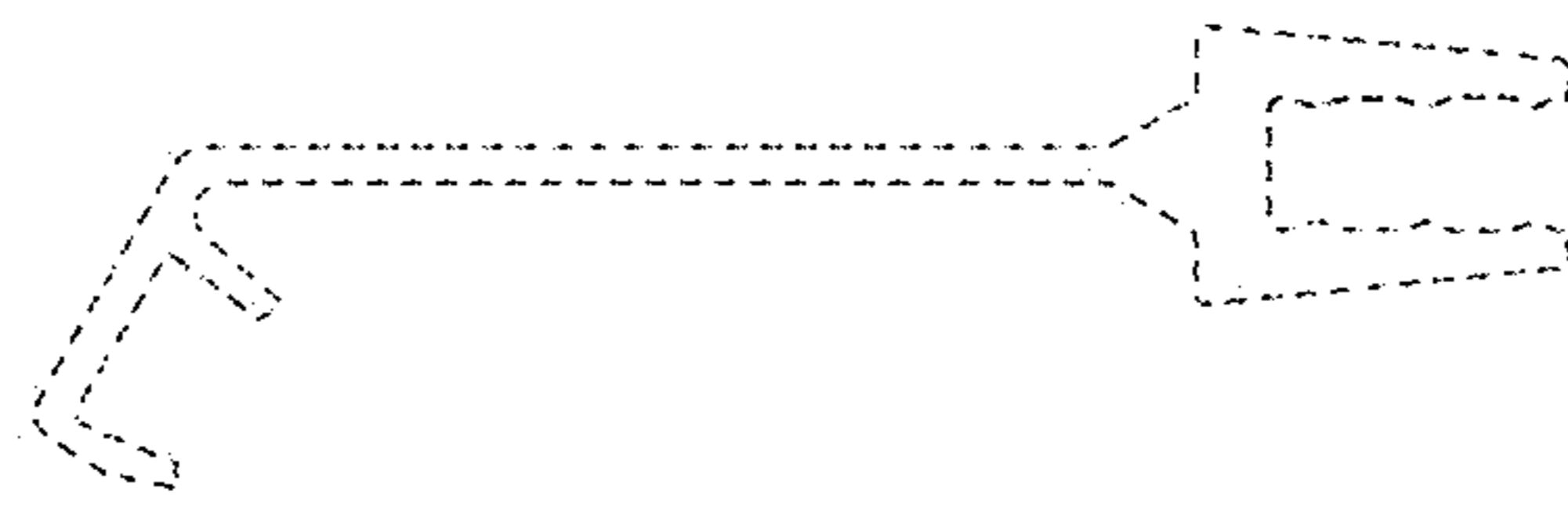


FIG. 8