



US00D904645S

(12) **United States Design Patent** (10) **Patent No.:** **US D904,645 S**  
**Reed** (45) **Date of Patent:** **\*\* Dec. 8, 2020**

(54) **LANDSCAPE EDGING**  
(71) Applicant: **Dale J. Reed**, Howell, MI (US)  
(72) Inventor: **Dale J. Reed**, Howell, MI (US)  
(\*\*) Term: **15 Years**  
(21) Appl. No.: **29/674,415**  
(22) Filed: **Dec. 21, 2018**  
(51) **LOC (12) Cl.** ..... **25-01**  
(52) **U.S. Cl.**  
USPC ..... **D25/164**  
(58) **Field of Classification Search**  
USPC ..... D25/102, 119-123, 164; D8/349, 354,  
D8/382-384, 394-396; D20/43-44  
CPC .. Y10S 30/05; A01G 9/28; E02D 5/80; E02D  
5/805; A47G 27/045; A47G 27/0456;  
A47G 27/0462  
See application file for complete search history.

(56) **References Cited**  
**U.S. PATENT DOCUMENTS**  
2,030,730 A \* 2/1936 Wilson ..... A47B 13/083  
D25/164  
2,057,285 A \* 10/1936 Wilson ..... E04D 13/1415  
D25/136  
D151,022 S \* 9/1948 Weber et al. .... D25/164  
D164,421 S \* 9/1951 Hodgman ..... D25/164  
4,580,374 A \* 4/1986 Quinnell ..... E04D 13/158  
52/95  
D296,707 S \* 7/1988 Vea ..... D20/44  
D364,234 S \* 11/1995 Caley ..... D25/164  
D443,079 S \* 5/2001 Neuhofer, Jr. .... D25/164  
D453,534 S \* 2/2002 Kosir ..... D20/43  
D526,248 S \* 8/2006 Stidham ..... D25/138  
D553,764 S \* 10/2007 Vibiano ..... D25/164

D640,533 S \* 6/2011 Austro ..... D8/382  
D642,288 S \* 7/2011 Jenny ..... D25/138  
D711,554 S \* 8/2014 Singh ..... D25/119  
D742,547 S \* 11/2015 Singh ..... D25/119  
D789,454 S \* 6/2017 Prisnie ..... D20/44  
D790,736 S \* 6/2017 Mumford, Sr. .... D25/119  
D805,215 S \* 12/2017 Fowler ..... D25/48.2  
D871,899 S \* 1/2020 Hargrave ..... D8/382  
D873,393 S \* 1/2020 Gori ..... D25/119  
D873,980 S \* 1/2020 Gori ..... D25/119  
D879,329 S \* 3/2020 Letham ..... D25/138  
2005/0210740 A1\* 9/2005 Zwier ..... A01G 9/28  
47/33  
2016/0017597 A1\* 1/2016 Holtschmidt ..... E04F 13/08  
52/394

\* cited by examiner

*Primary Examiner* — Llorellys Martinez  
(74) *Attorney, Agent, or Firm* — Mitchell Law PLLC;  
Matthew W. Mitchell

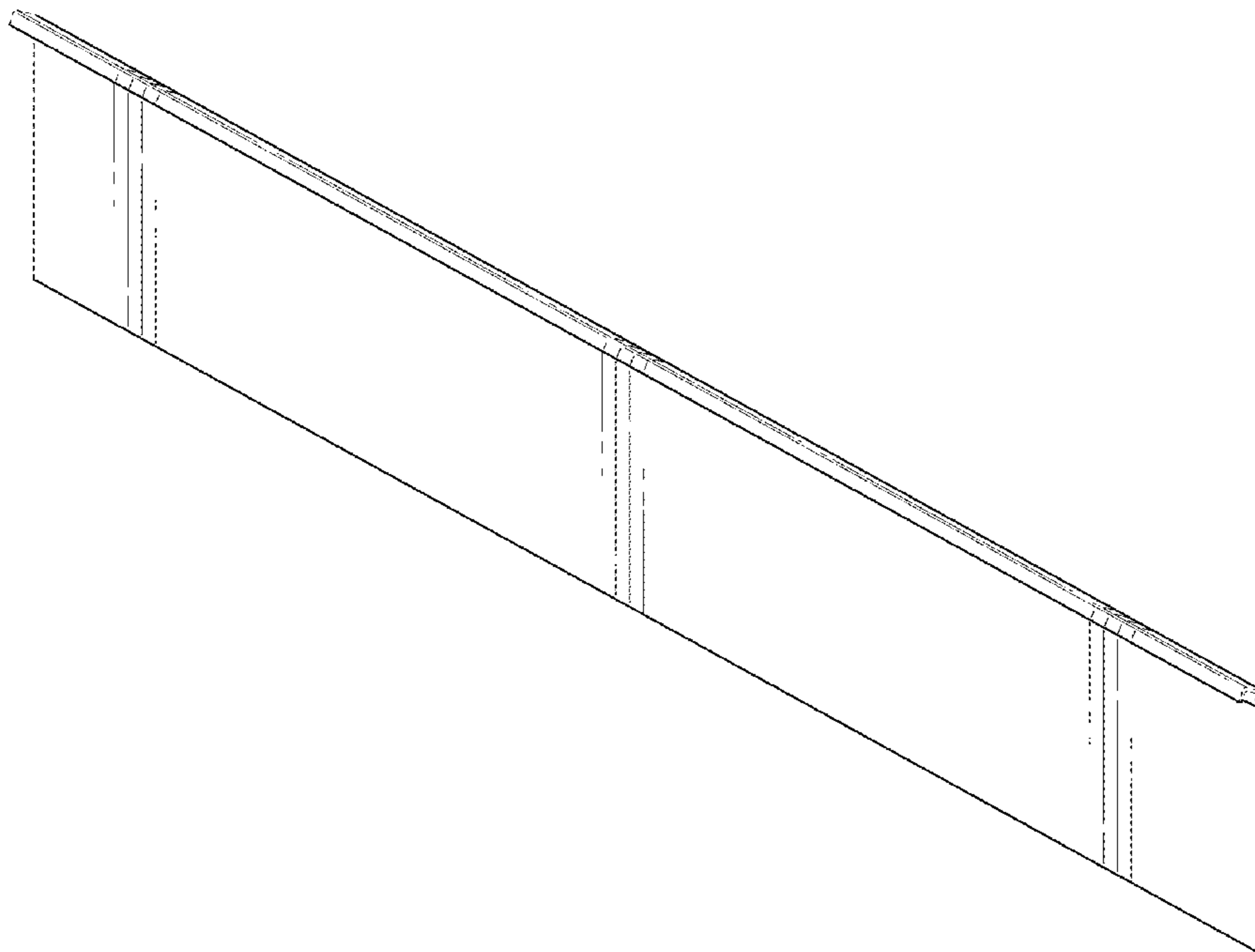
(57) **CLAIM**

The ornamental design for a landscape edging, as shown and described.

**DESCRIPTION**

FIG. 1 is a front isometric view of the landscape edging of the present invention;  
FIG. 2 is rear isometric view thereof;  
FIG. 3 is a front view thereof;  
FIG. 4 is a rear view thereof;  
FIG. 5 is a top plan view thereof; and  
FIG. 6 is a bottom plan view thereof.  
FIG. 7 is an enlarged right-side view thereof; and,  
FIG. 8 is an enlarged left-side view thereof.  
The broken lines in the drawings represent portions of the landscape edging that form no part of the claimed design.

**1 Claim, 8 Drawing Sheets**



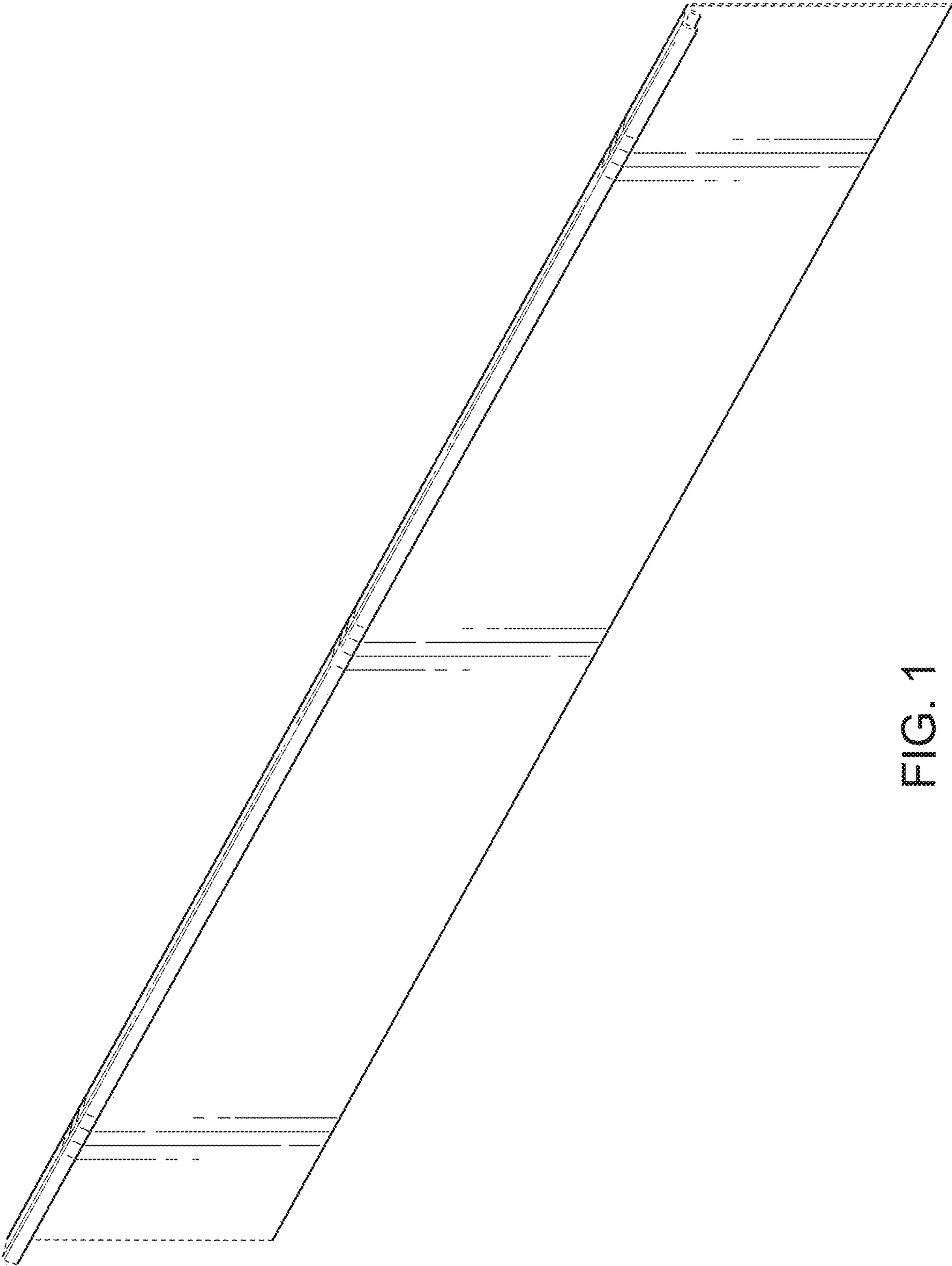


FIG. 1

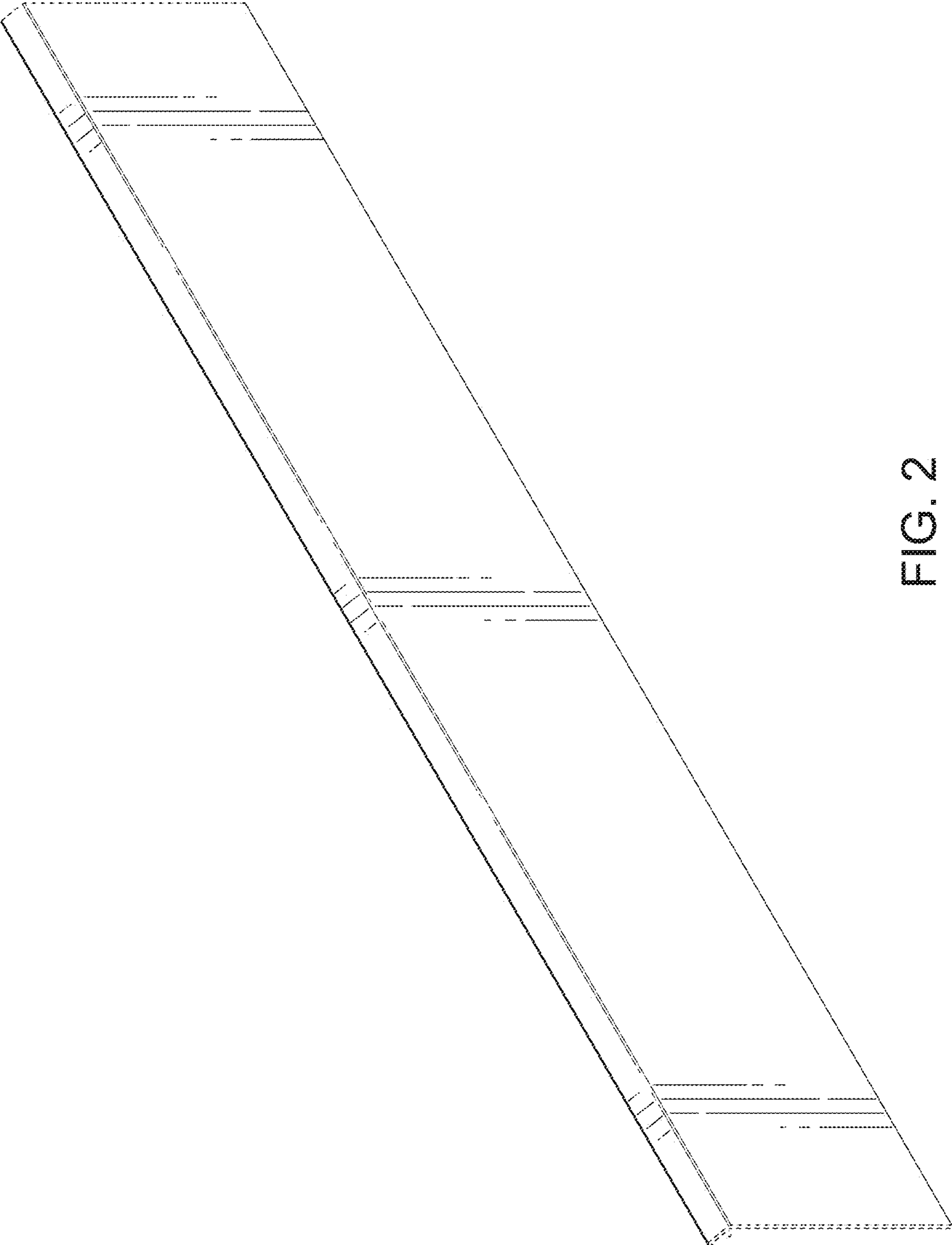


FIG. 2

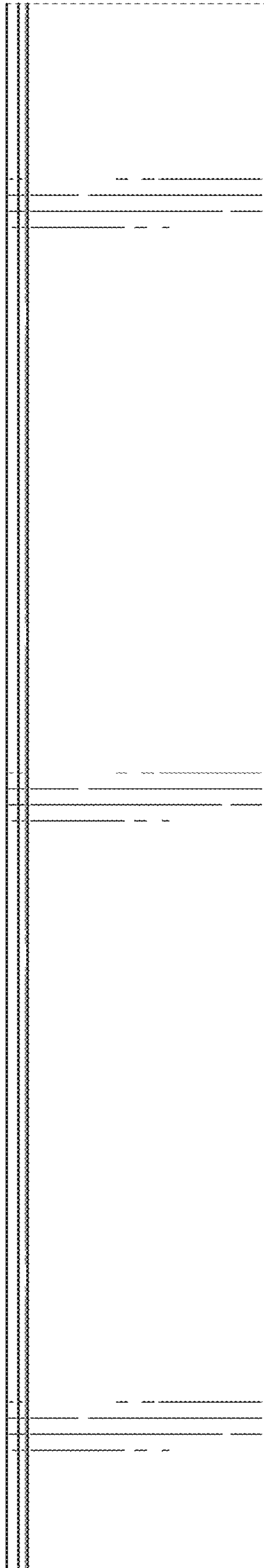


FIG. 3

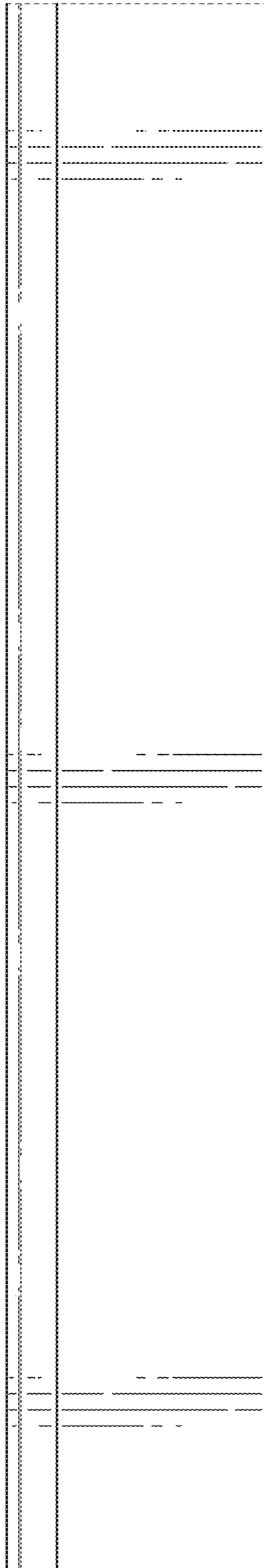


FIG. 4



FIG. 5

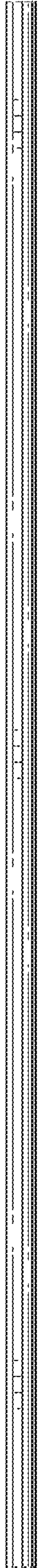


FIG. 6

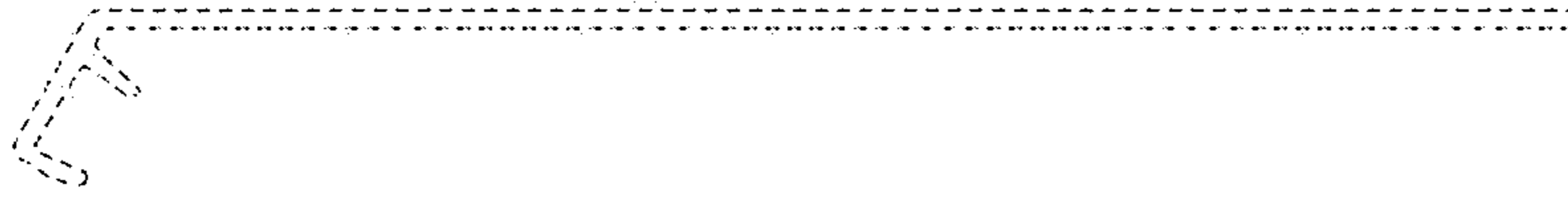


FIG. 7



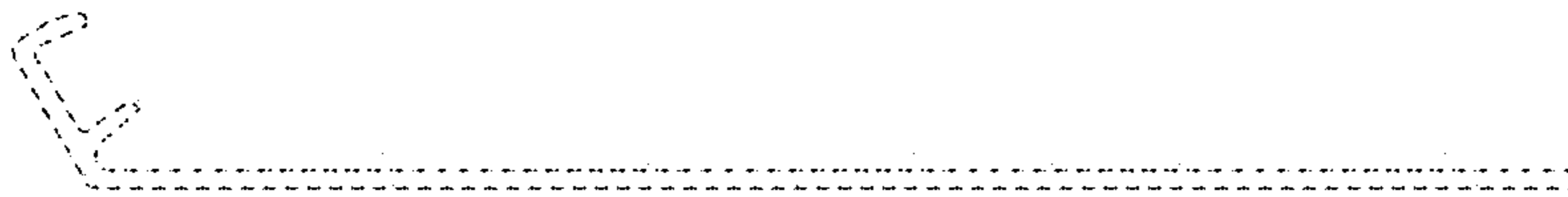


FIG. 8