



US00D904643S

(12) **United States Design Patent**  
**Rihl**

(10) **Patent No.:** **US D904,643 S**

(45) **Date of Patent:** **\*\* Dec. 8, 2020**

(54) **BOLLARD**

(71) Applicant: **SKIDATA AG**, Salzburg (AT)

(72) Inventor: **Marco Rihl**, Salzburg (AT)

(73) Assignee: **SKIDATA AG**, Salzburg (AT)

(\*\*) Term: **15 Years**

(21) Appl. No.: **29/626,860**

(22) Filed: **Nov. 21, 2017**

(30) **Foreign Application Priority Data**

May 31, 2017 (EM) ..... 004026284-0001  
May 31, 2017 (EM) ..... 004026284-0002

(51) **LOC (12) Cl.** ..... **25-01**

(52) **U.S. Cl.**  
USPC ..... **D25/126**

(58) **Field of Classification Search**  
USPC ..... D25/126, 127, 128, 129, 130, 131, 132,  
D25/133, 134, 135; D26/68  
CPC .... E04B 2001/2696; E04B 2/56; E04B 2/706;  
E04C 2003/026; E04C 3/02; E04F  
11/1842; F21S 8/083; F21V 33/00  
See application file for complete search history.

(56) **References Cited**

**U.S. PATENT DOCUMENTS**

D572,374 S \* 7/2008 Gibbs ..... D25/119  
D603,065 S \* 10/2009 Hamilton ..... D25/126  
D690,031 S \* 9/2013 Mukith ..... D25/38.1  
D749,751 S \* 2/2016 Murray ..... D25/126

D767,795 S \* 9/2016 Bucarizza ..... D25/126  
D831,232 S \* 10/2018 Dionne ..... D25/126  
2005/0144892 A1 \* 7/2005 Strickland ..... B21D 47/01  
52/837  
2008/0054242 A1 \* 3/2008 Petta ..... E04F 11/1842  
256/65.01  
2012/0186172 A1 \* 7/2012 Bouchard ..... E04B 7/022  
52/204.1  
2018/0334804 A1 \* 11/2018 Patterson ..... F21S 8/06

\* cited by examiner

*Primary Examiner* — Samantha Q Lawrence

(74) *Attorney, Agent, or Firm* — Davis & Bujold PLLC;  
Michael J. Bujold

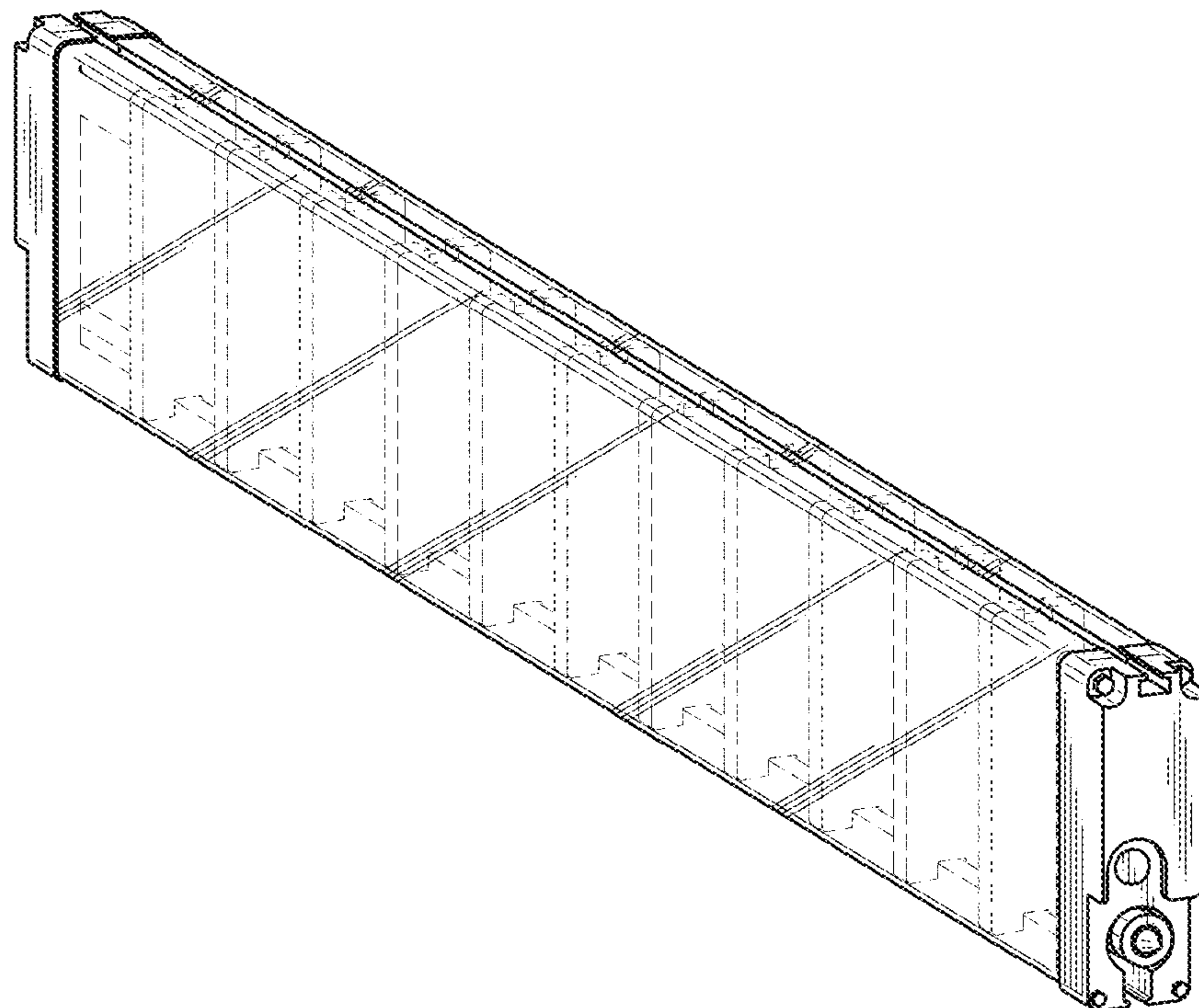
(57) **CLAIM**

I claim the ornamental design for a bollard, as shown and described.

**DESCRIPTION**

FIG. 1 is a front, top, right front perspective view of a first embodiment of a bollard embodying my new design; FIG. 2 is a front elevational view thereof, the rear elevational view being a mirror image thereof; FIG. 3 is a top plan view thereof; FIG. 4 is a bottom plan view thereof; FIG. 5 is a front, top, right front perspective view of a second embodiment of a bollard embodying my new design; FIG. 6 is a front elevational view of FIG. 5, the rear elevational view being a mirror image thereof; FIG. 7 is a top plan view of FIG. 5; and, FIG. 8 is a bottom plan view of FIG. 5. The broken lines shown in FIGS. 1-7 illustrate portions of the bollard that form no part of the claimed design.

**1 Claim, 2 Drawing Sheets**



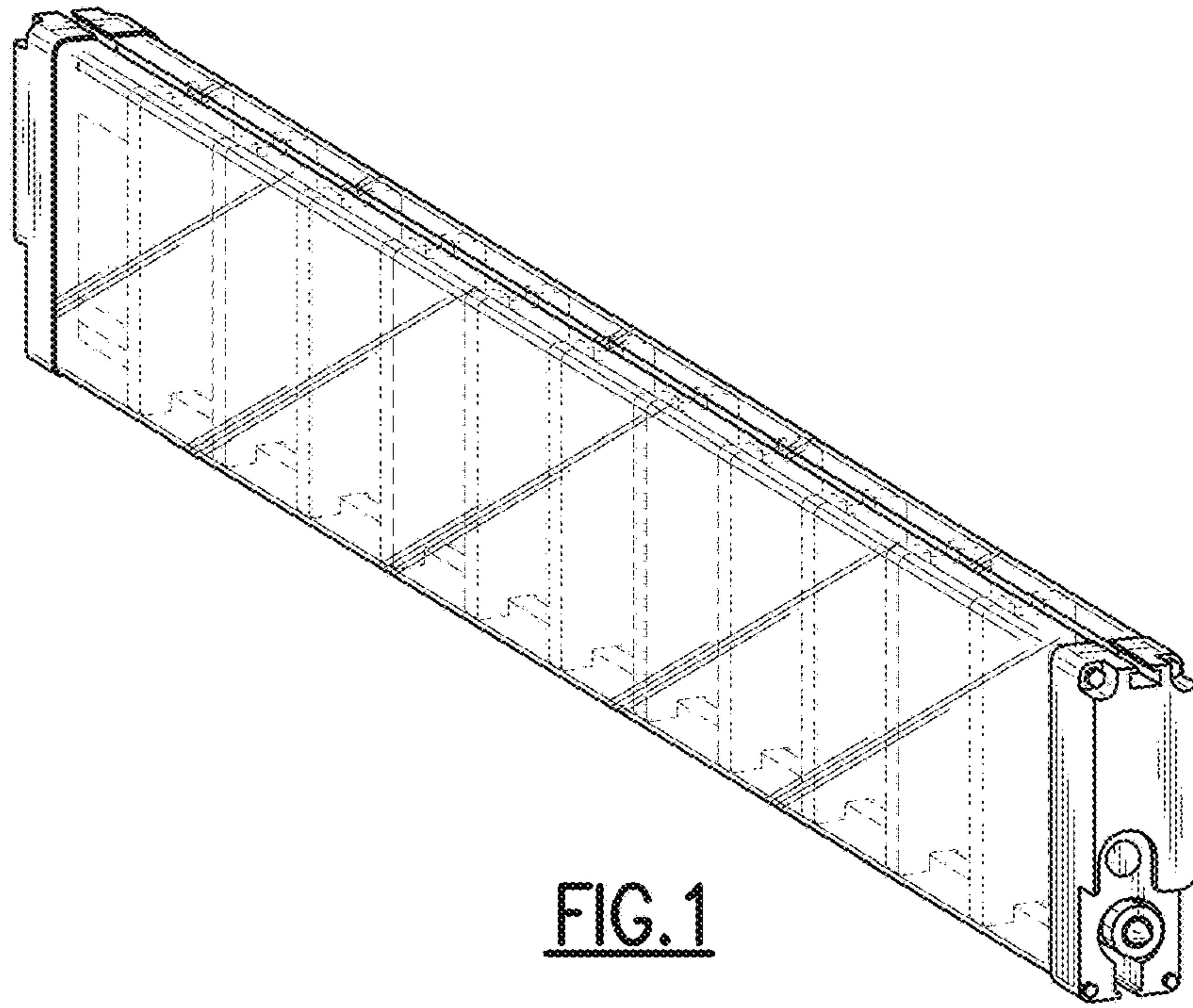


FIG.1

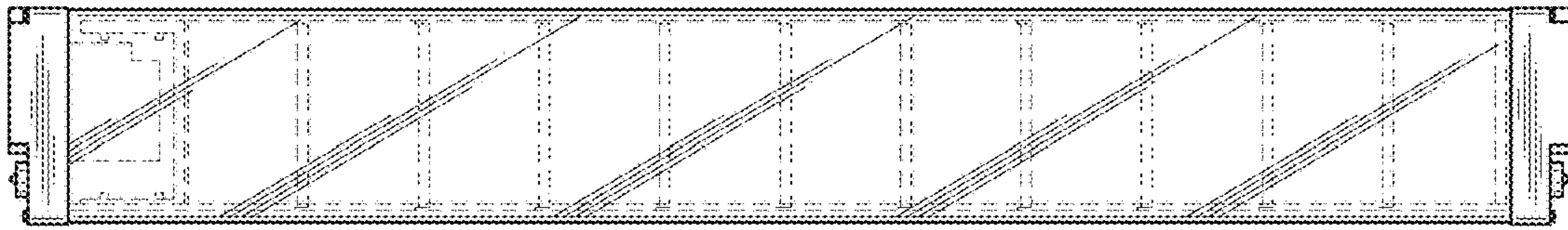


FIG.2

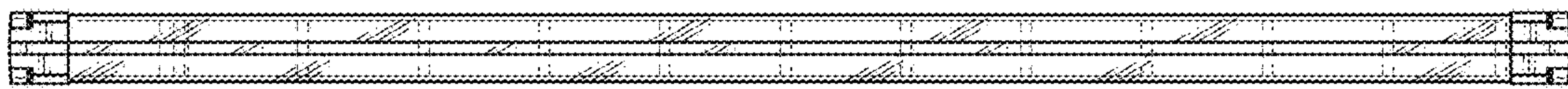


FIG.3

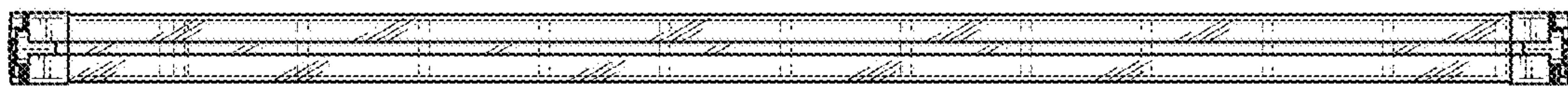


FIG.4



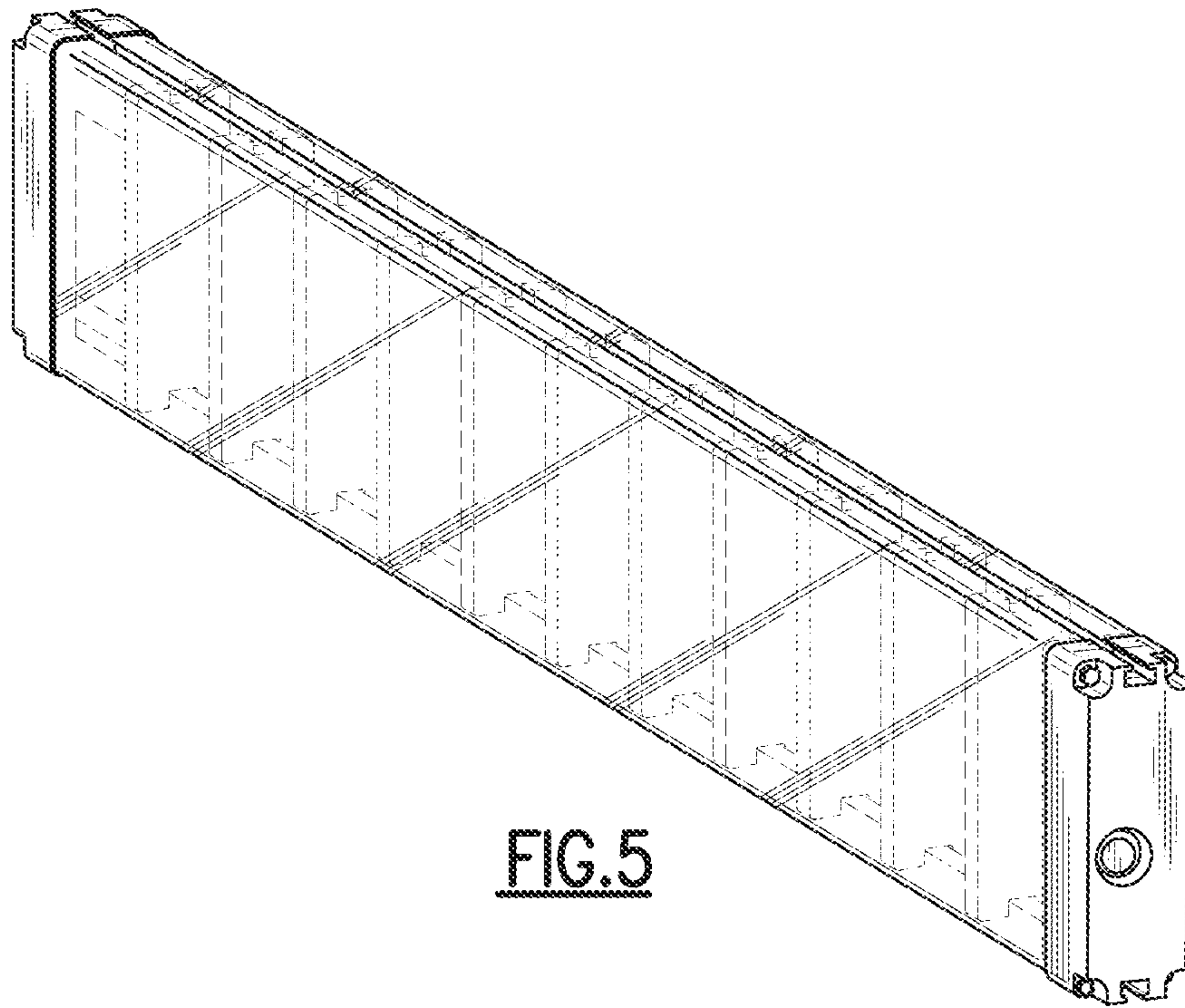


FIG. 5

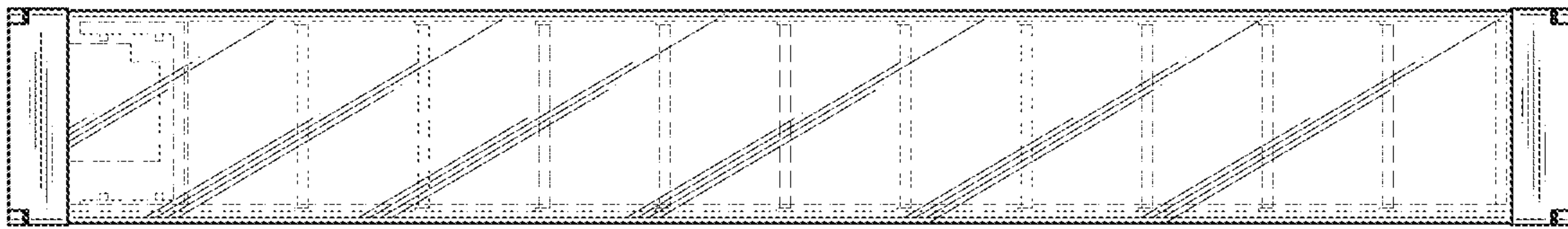


FIG. 6

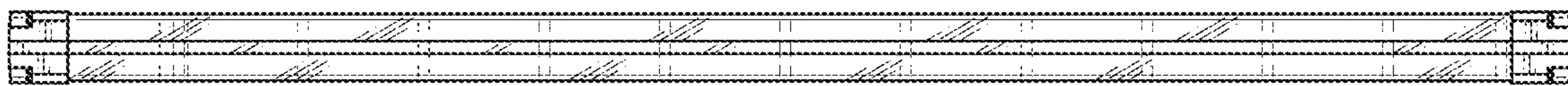


FIG. 7

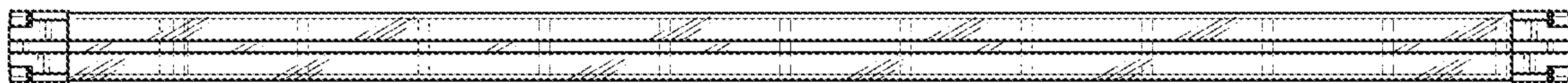


FIG. 8