



US00D904642S

(12) **United States Design Patent** (10) **Patent No.:** **US D904,642 S**
Hawthorne et al. (45) **Date of Patent:** **** Dec. 8, 2020**

(54) **VERTICAL SLIDER SILL**

(56) **References Cited**

(71) Applicants: **Kyle S. Hawthorne**, Waldo, ME (US);
John C. Magri, Jr., Stockton Springs,
ME (US); **William M. Gray**, Stockton
Springs, ME (US); **Ralph J.**
McDermott, Jr., Lincolnville, ME
(US); **Ryan H. Hamden**, Belfast, ME
(US)

U.S. PATENT DOCUMENTS

D453,843	S	*	2/2002	Scalzott	D25/124
D461,013	S	*	7/2002	Marshall	D25/124
D463,580	S	*	9/2002	Lockbeam	D25/124
D487,937	S	*	3/2004	Habeck	D25/124
D507,356	S	*	7/2005	Jarrell	D25/124
D594,137	S	*	6/2009	Campbell	D25/124
D594,138	S	*	6/2009	Campbell	D25/124
D698,466	S	*	1/2014	Wickland	D25/124
D732,202	S	*	6/2015	Chaney	D25/124
D780,331	S	*	2/2017	Marshall	D25/124
D780,946	S	*	3/2017	Marshall	D25/124
D808,044	S	*	1/2018	Rosende	D25/124
D831,859	S	*	10/2018	Marshall	D25/124

(72) Inventors: **Kyle S. Hawthorne**, Waldo, ME (US);
John C. Magri, Jr., Stockton Springs,
ME (US); **William M. Gray**, Stockton
Springs, ME (US); **Ralph J.**
McDermott, Jr., Lincolnville, ME
(US); **Ryan H. Hamden**, Belfast, ME
(US)

* cited by examiner

Primary Examiner — Llorellys Martinez

(73) Assignee: **Mathew Brothers Company**, Belfast,
ME (US)

(74) *Attorney, Agent, or Firm* — Anthony D. Pellegrini

(**) Term: **15 Years**

(57) **CLAIM**

The ornamental design for a vertical slider sill, as shown and described.

(21) Appl. No.: **29/715,553**

DESCRIPTION

(22) Filed: **Dec. 3, 2019**

(51) **LOC (12) Cl.** **25-01**

(52) **U.S. Cl.**
USPC **D25/124**

(58) **Field of Classification Search**
USPC D25/119-125; D8/349
CPC E06B 1/02; E06B 1/04; E06B 1/12; E06B
1/26; E06B 1/28; E06B 1/36; E06B 1/52;
E06B 1/205; E06B 1/70; E06B 1/702;
E06B 2001/707

FIG. 1 is a left plan view of a vertical slider sill showing our new design.

FIG. 2 is a top, rear perspective view thereof.

FIG. 3 is a top, front perspective view thereof.

FIG. 4 is a bottom, rear perspective view thereof.

FIG. 5 is a bottom, front perspective view thereof.

FIG. 6 is a top plan view thereof.

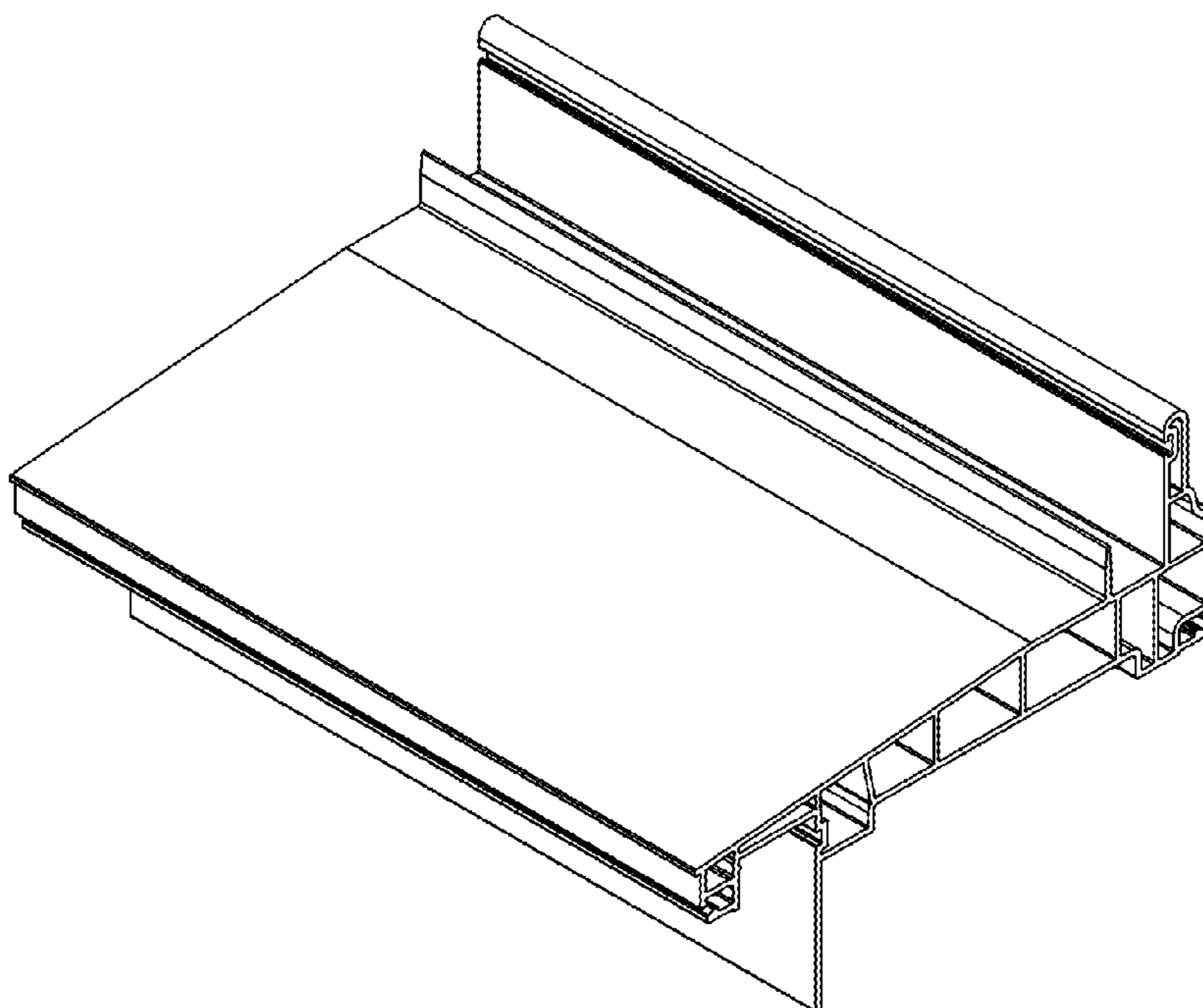
FIG. 7 is a rear elevation view thereof.

FIG. 8 is a front elevation view thereof; and,

FIG. 9 is a bottom plan view thereof.

See application file for complete search history.

1 Claim, 9 Drawing Sheets



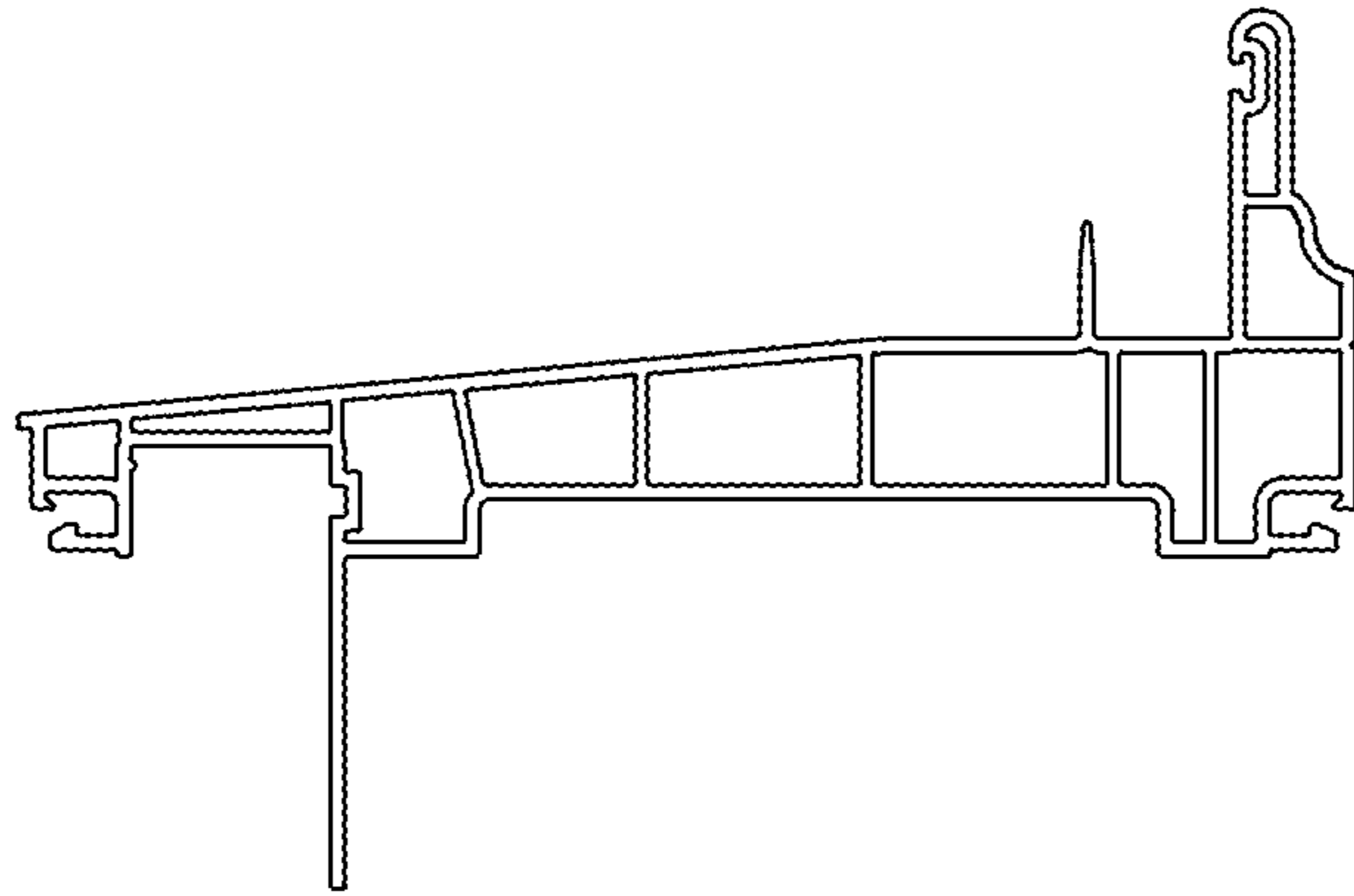


Fig. 1

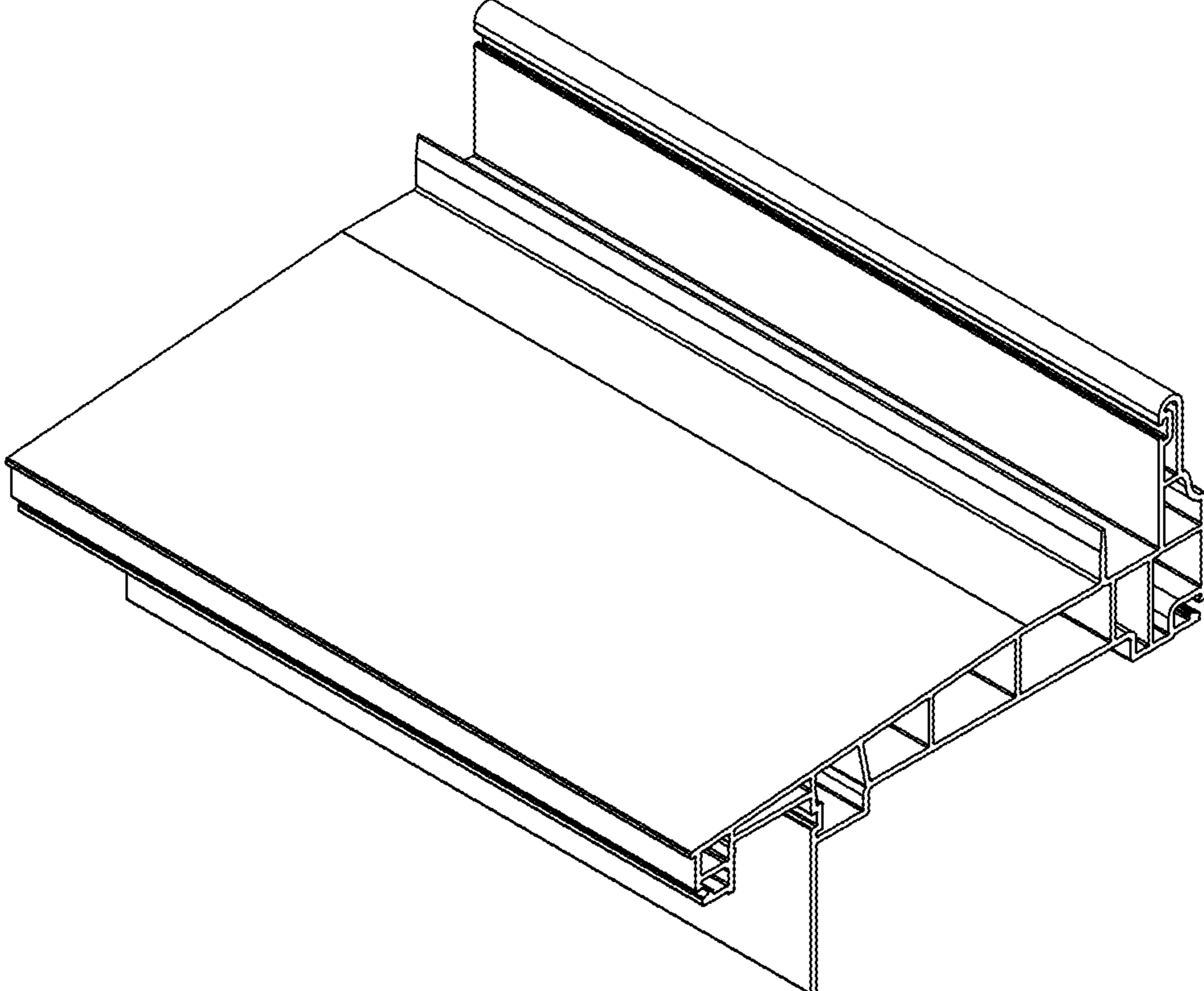


Fig. 2

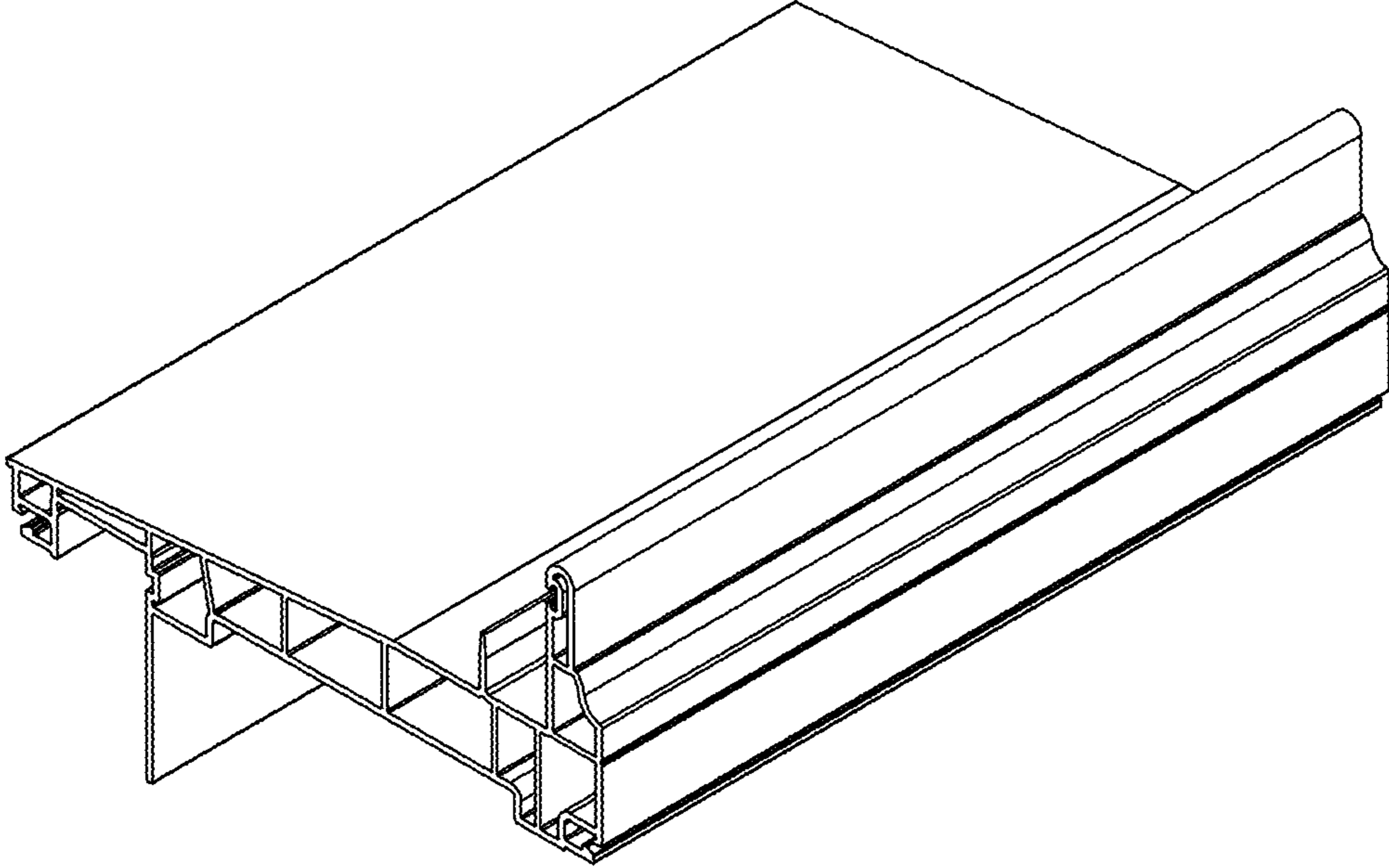


Fig. 3

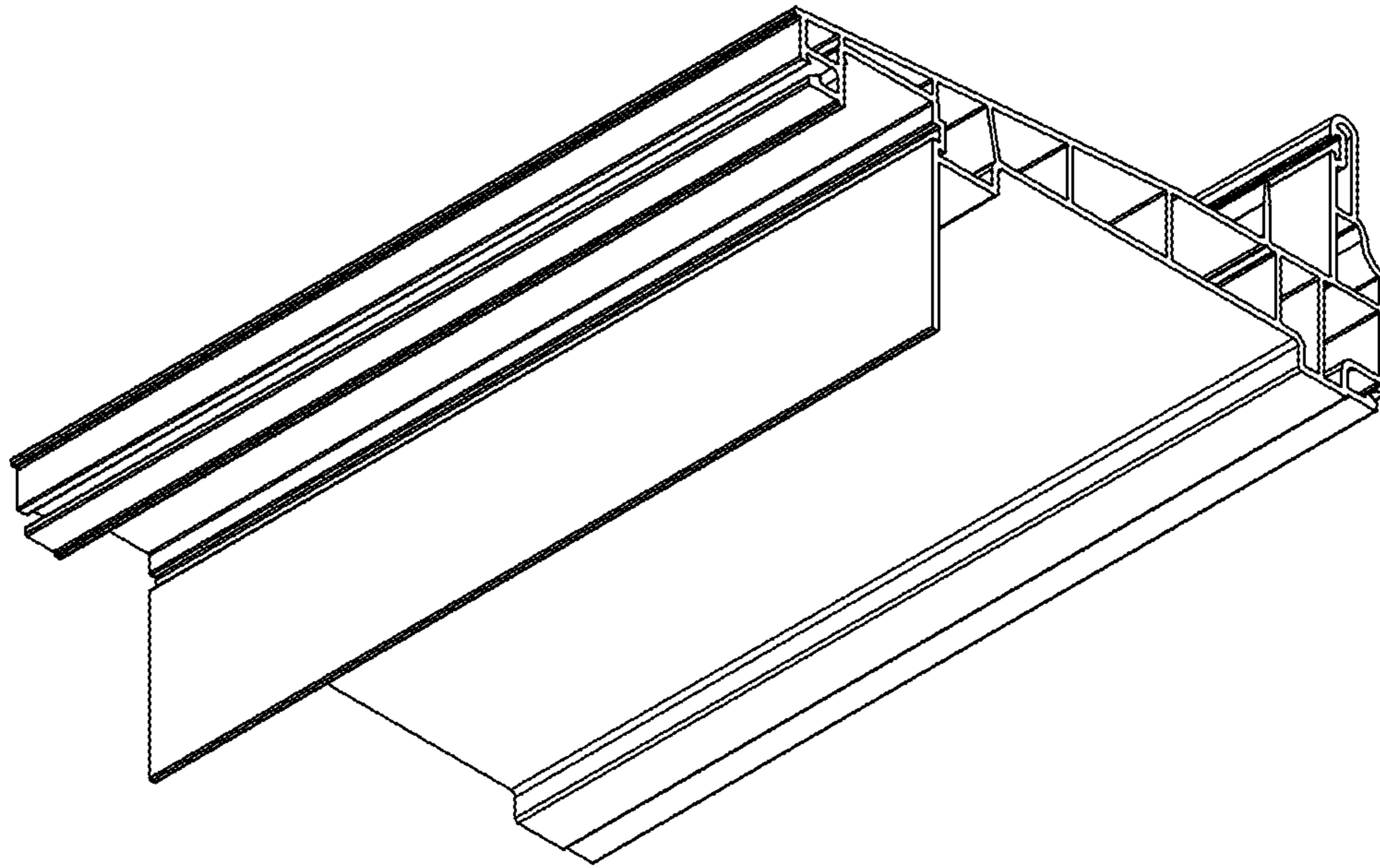


Fig. 4

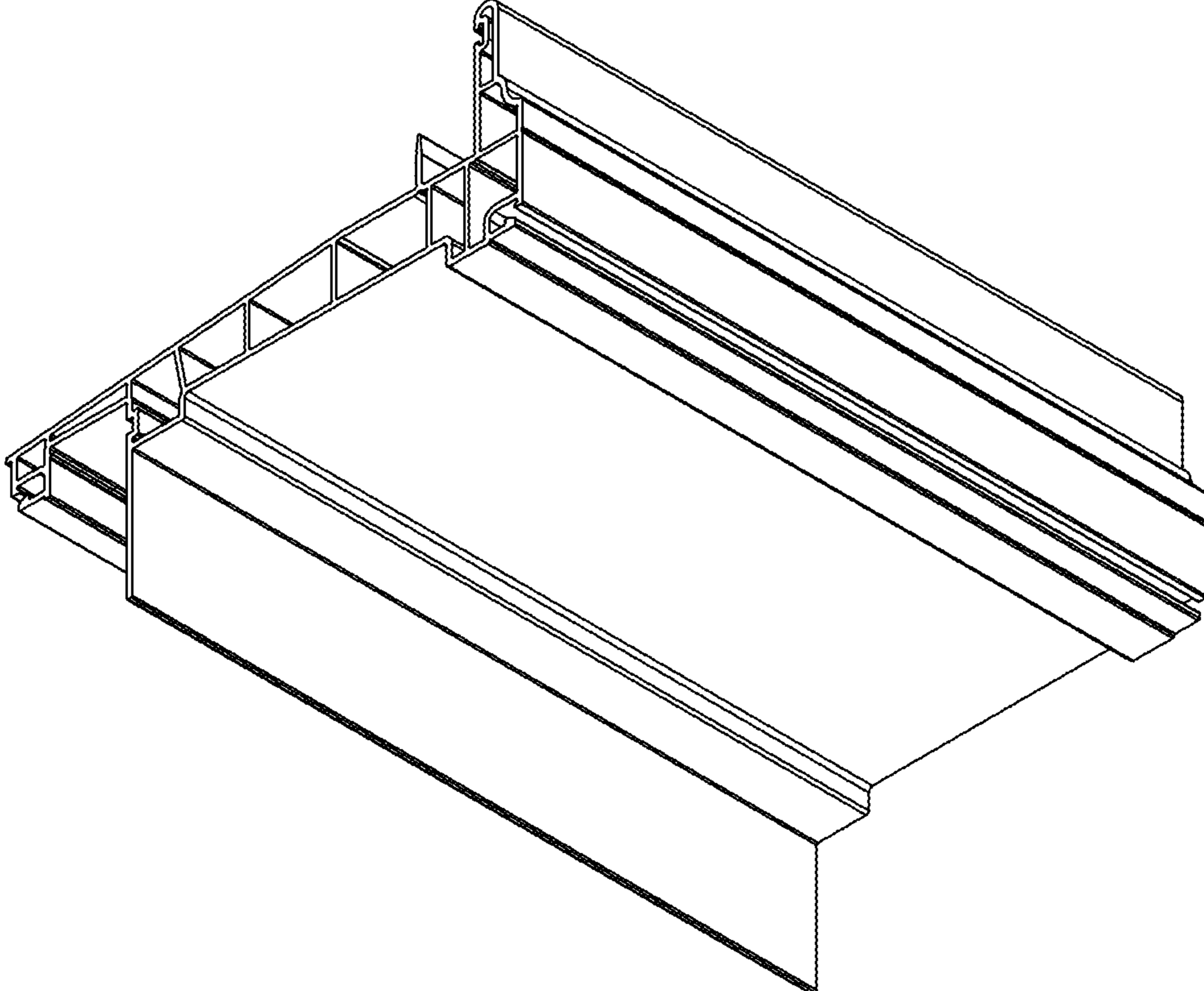


Fig. 5

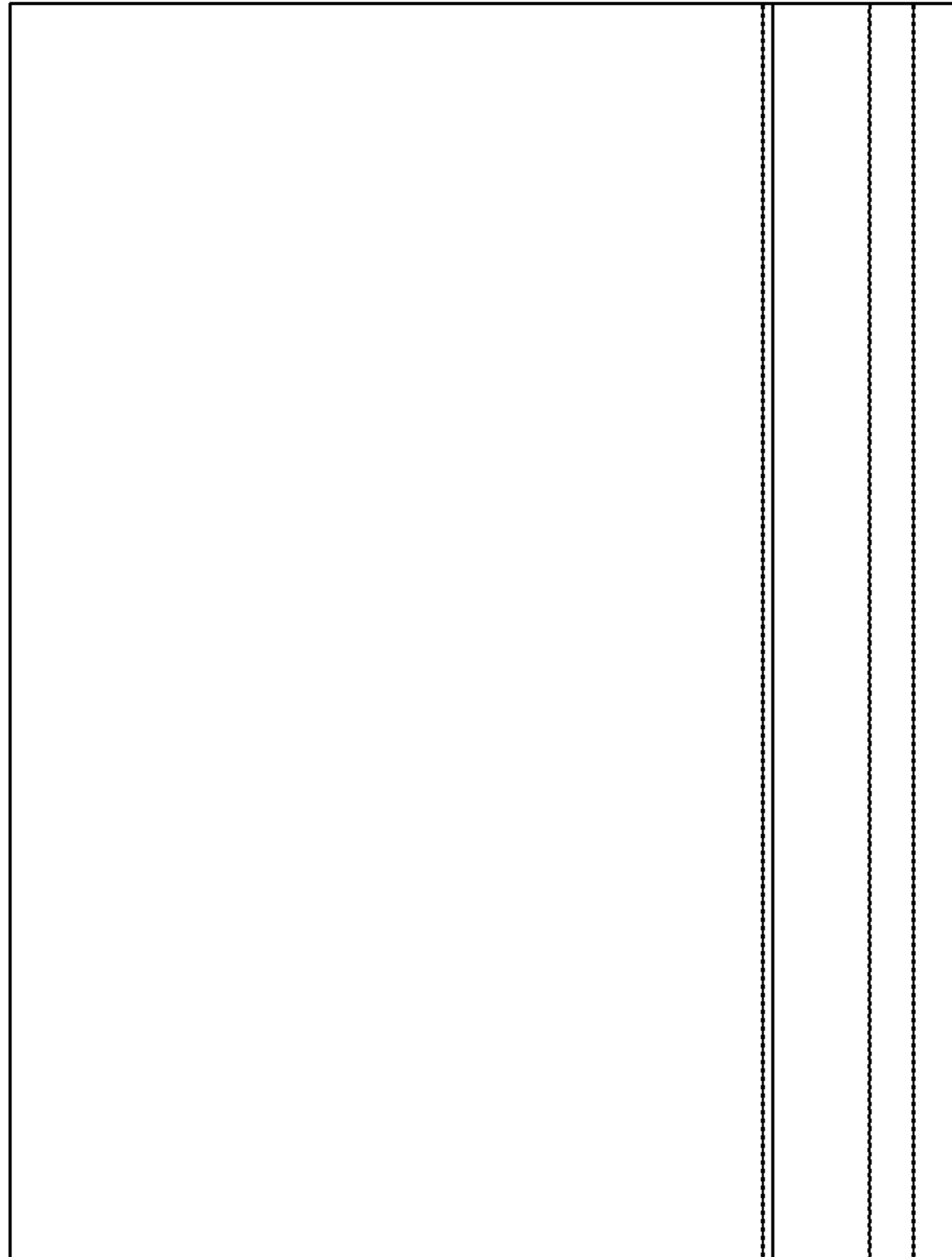


Fig. 6

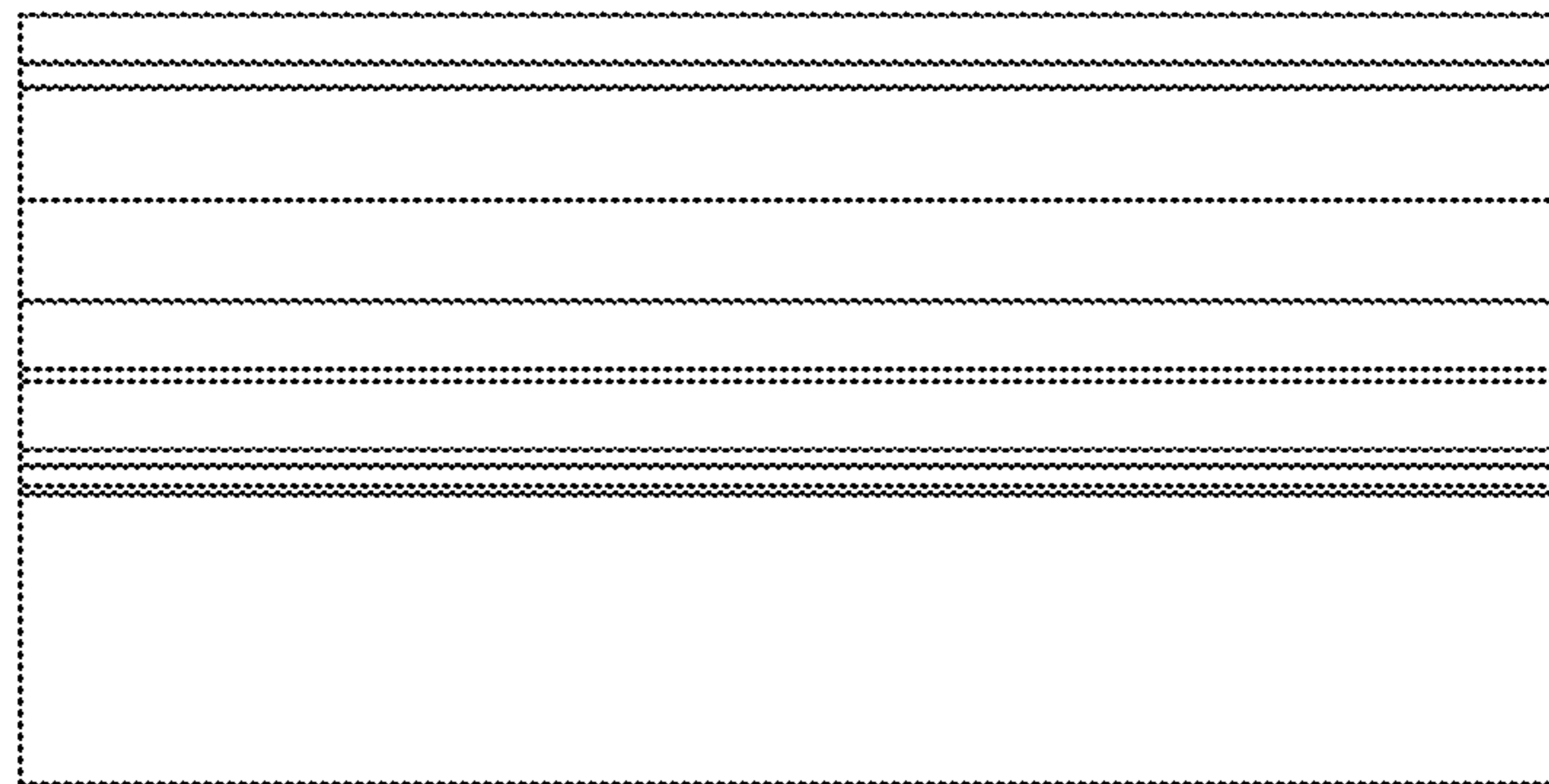


Fig. 7

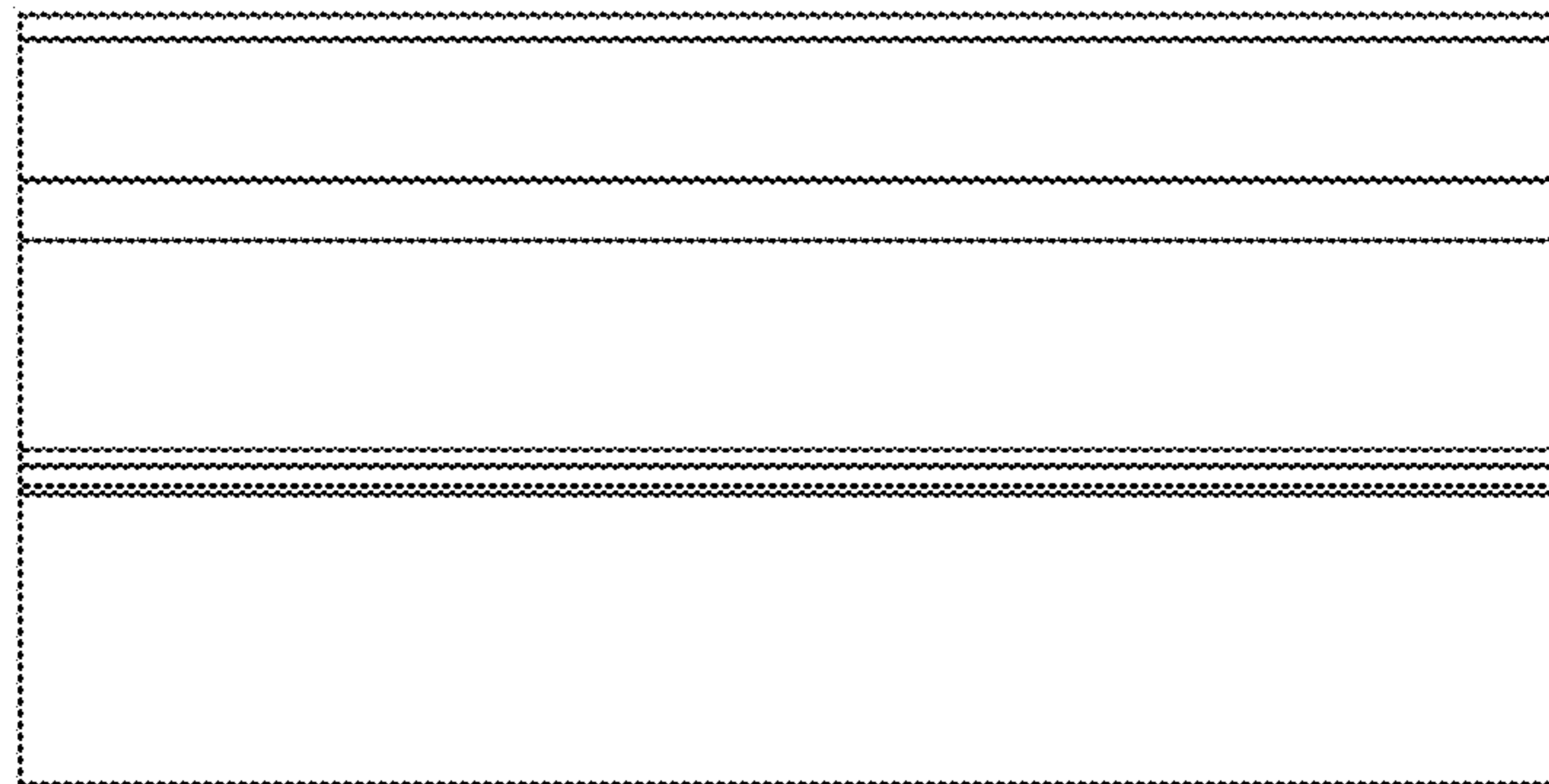


Fig. 8

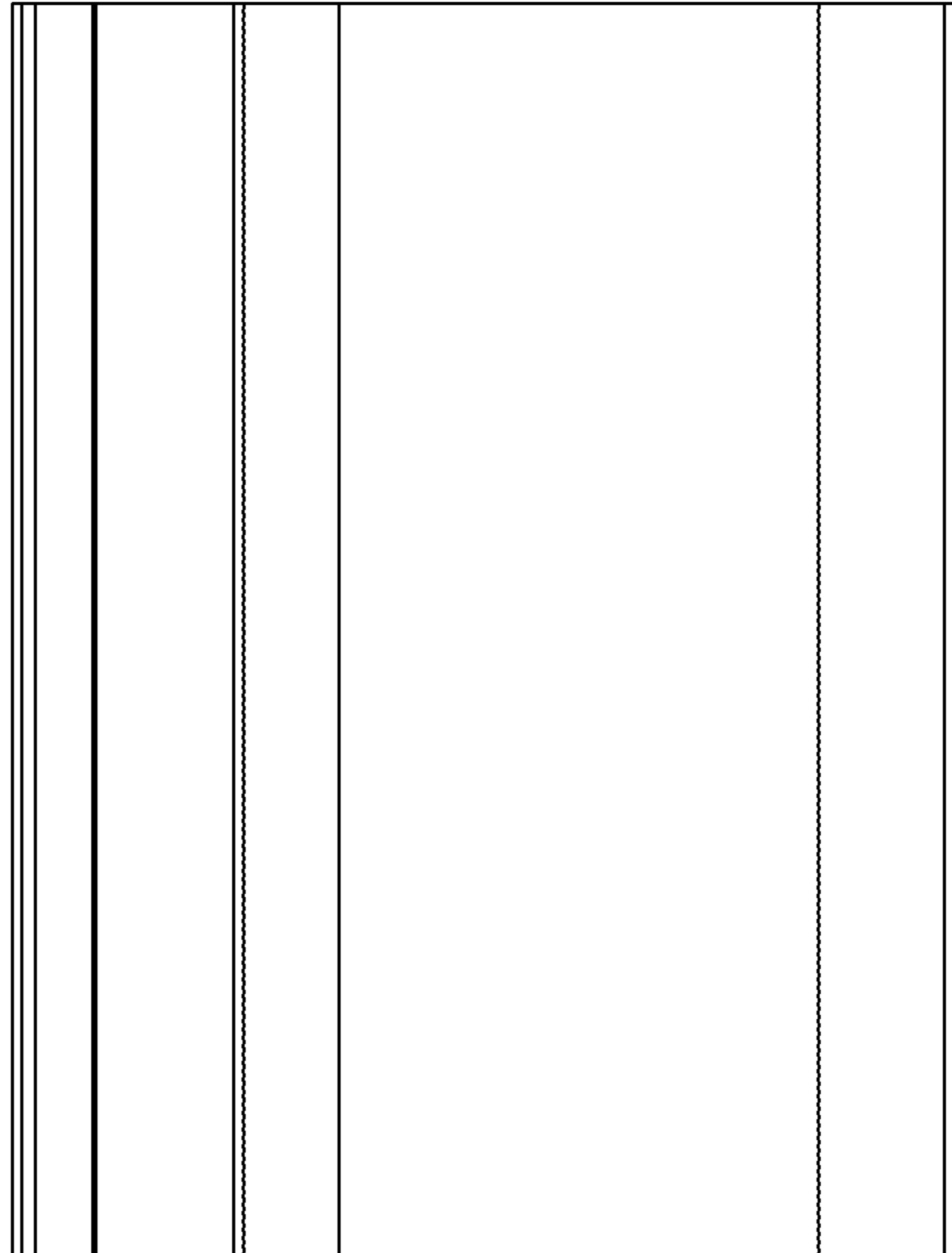


Fig. 9