



US00D904639S

(12) **United States Design Patent** (10) **Patent No.:** **US D904,639 S**
Stoecker et al. (45) **Date of Patent:** **** Dec. 8, 2020**

(54) **CAPILLARY VESSEL**
(71) Applicant: **EUROIMMUN Medizinische Labordiagnostika AG**, Luebeck (DE)
(72) Inventors: **Winfried Stoecker**, Gross Groenau (DE); **Bianca Huth**, Dassow (DE); **Alexander Kowtun**, Luebeck (DE); **Lars Koschinat**, Ratekau-Warnsdorf (DE); **Lars Richter**, Luebeck (DE); **Thorsten Hanhoff**, Luebeck (DE); **Marian Fuchs**, Luebeck (DE); **Frank Mollenhauer**, Ziethen (DE); **Patrick Auer**, Stepenitztal (DE)

(73) Assignee: **EUROIMMUN Medizinische Labordiagnostika AG**, Luebeck (DE)

(**) Term: **15 Years**
(21) Appl. No.: **29/693,792**
(22) Filed: **Jun. 5, 2019**

(30) **Foreign Application Priority Data**
Dec. 21, 2018 (EM) 005942117-0001
(51) **LOC (12) Cl.** **24-02**
(52) **U.S. Cl.**
USPC **D24/224**
(58) **Field of Classification Search**
USPC D24/216, 222-226, 231, 232;
D3/203.1-203.8; D9/502, 504, 505, 529,
D9/552-556, 558, 569
CPC A61B 5/150022; B63H 21/36
See application file for complete search history.

(56) **References Cited**
U.S. PATENT DOCUMENTS
2,546,210 A * 3/1951 Bittner B63H 21/36
60/227
4,007,639 A * 2/1977 Haeckel A61B 5/150022
73/864.01

D243,628 S * 3/1977 Biondo D24/224
D276,267 S * 11/1984 Boris D10/81
D276,269 S * 11/1984 Boris D10/81
D368,035 S * 3/1996 Ahern, Jr. D9/556
D437,233 S * 2/2001 Gibert D9/556
6,562,300 B2 * 5/2003 Rosen A61M 25/0612
215/211
D634,441 S * 3/2011 Sattler D24/224
(Continued)

FOREIGN PATENT DOCUMENTS

JP D2003-7671 * 3/2003
Primary Examiner — Janice Hallmark
Assistant Examiner — Omeed Agilee
(74) *Attorney, Agent, or Firm* — Grüneberg and Myers PLLC

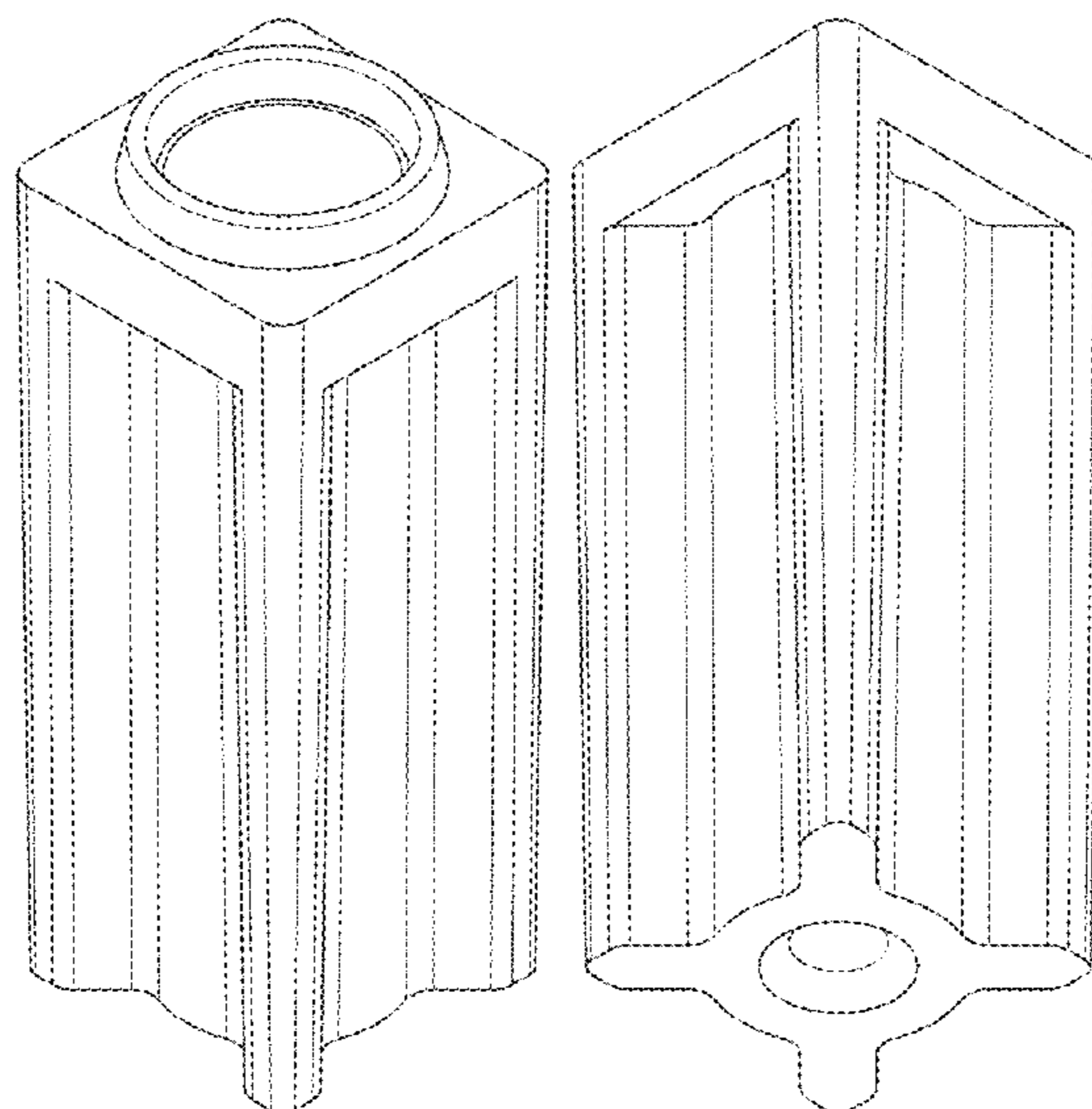
(57) **CLAIM**

The ornamental design for a capillary vessel, as shown and described.

DESCRIPTION

FIG. 1 is a top, front, right perspective view of a capillary vessel, and a top, rear, right perspective view; a top, rear, left perspective view; and a top, front, left perspective view thereof are identical to the top, front, right perspective view; FIG. 2 is a bottom, front, right perspective view thereof, and a bottom, rear, right perspective view; a bottom, rear, left perspective view; and a bottom, front, left perspective view thereof are identical to the bottom, front, right perspective view; FIG. 3 is a front elevational view thereof, and a rear elevational view, a left elevational view, and a right elevational view thereof are identical to the front elevational view; FIG. 4 is a bottom plan view thereof; and, FIG. 5 is a top plan view thereof.

1 Claim, 4 Drawing Sheets



(56)

References Cited

U.S. PATENT DOCUMENTS

D644,741 S * 9/2011 Sattler D24/224
D890,359 S * 7/2020 Jackson D24/224
D890,362 S * 7/2020 Bruemmer D24/232
2020/0100774 A1* 4/2020 Lei A61B 5/150022

* cited by examiner

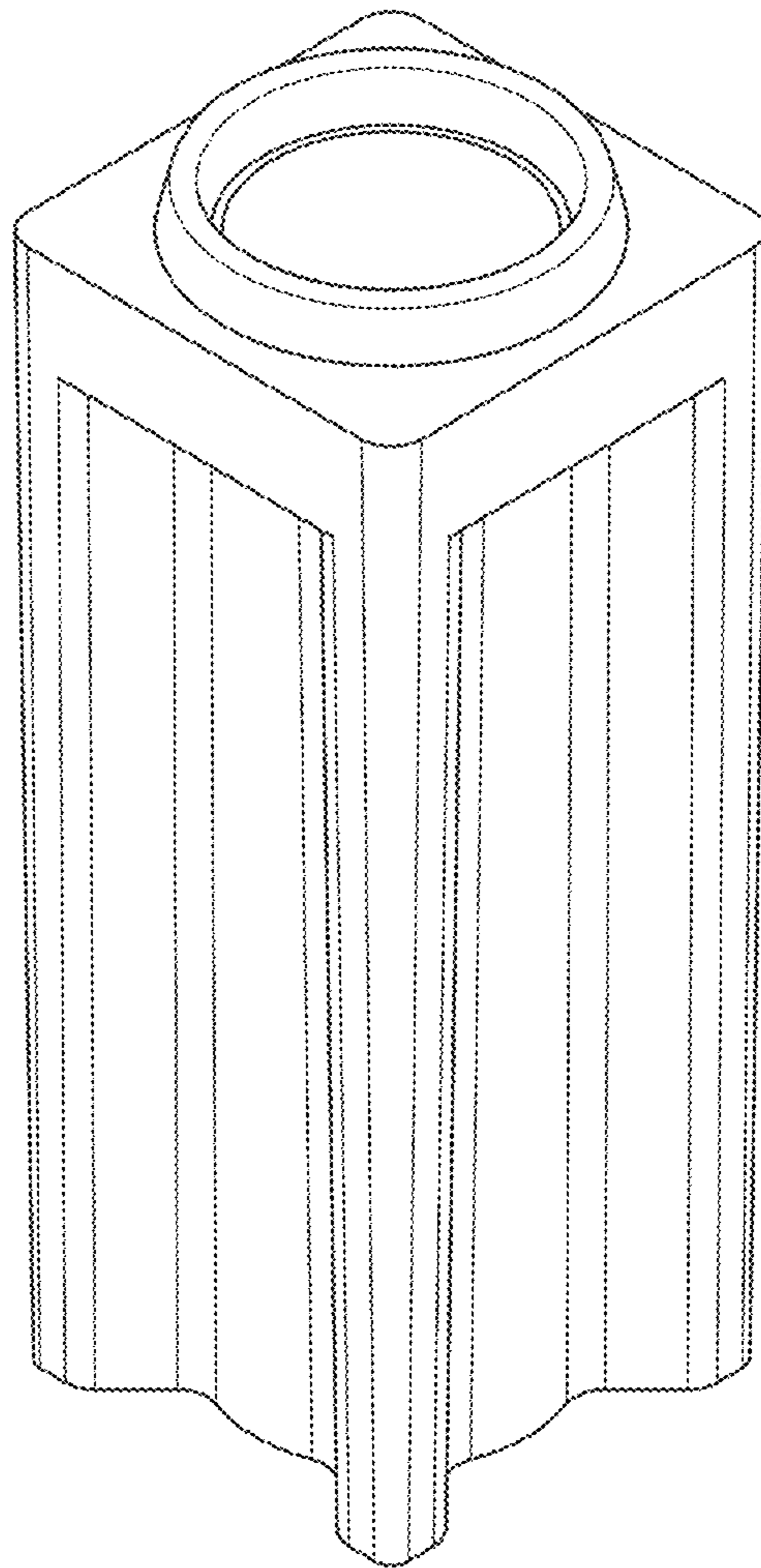


FIG. 1

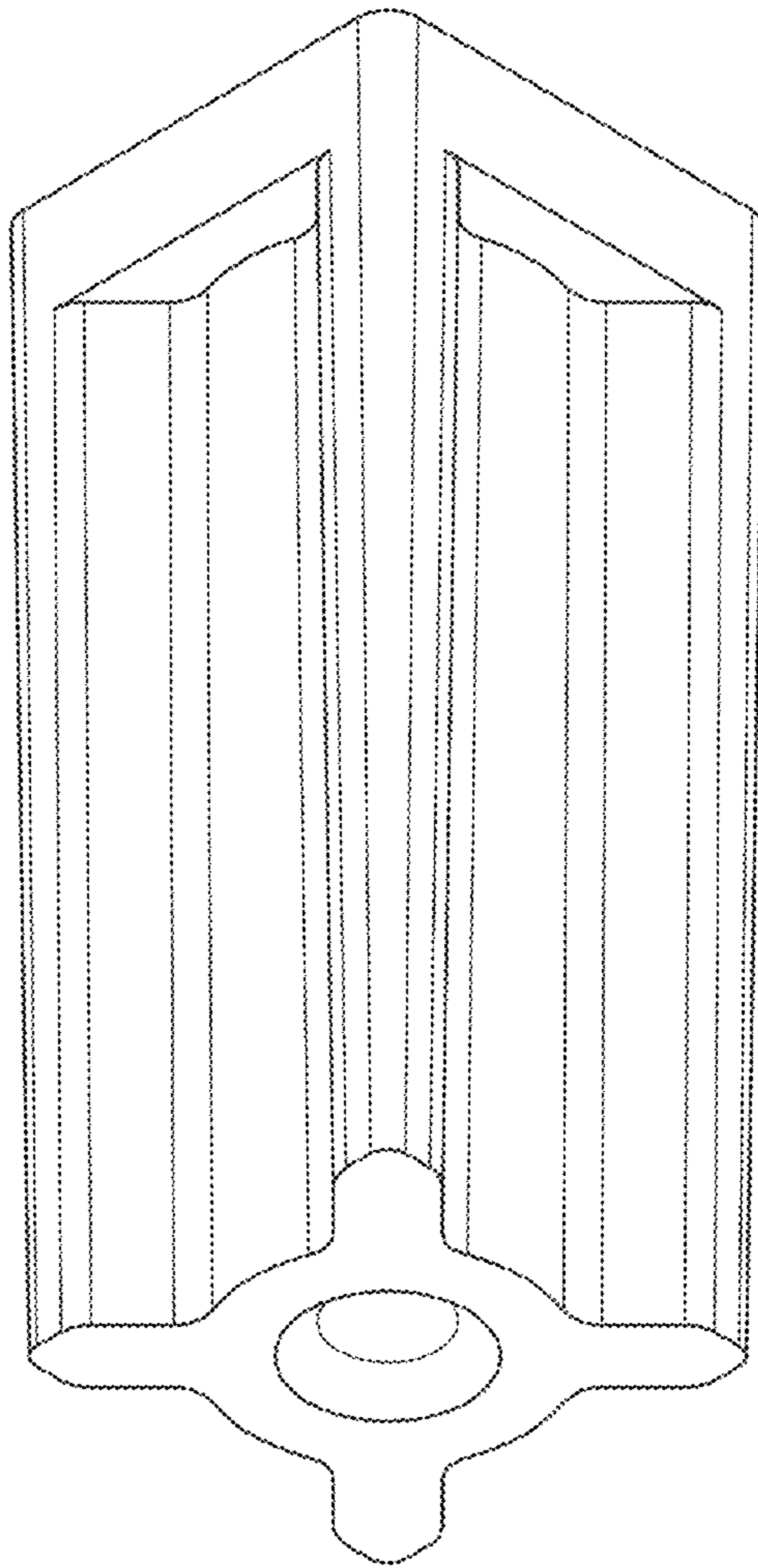


FIG. 2

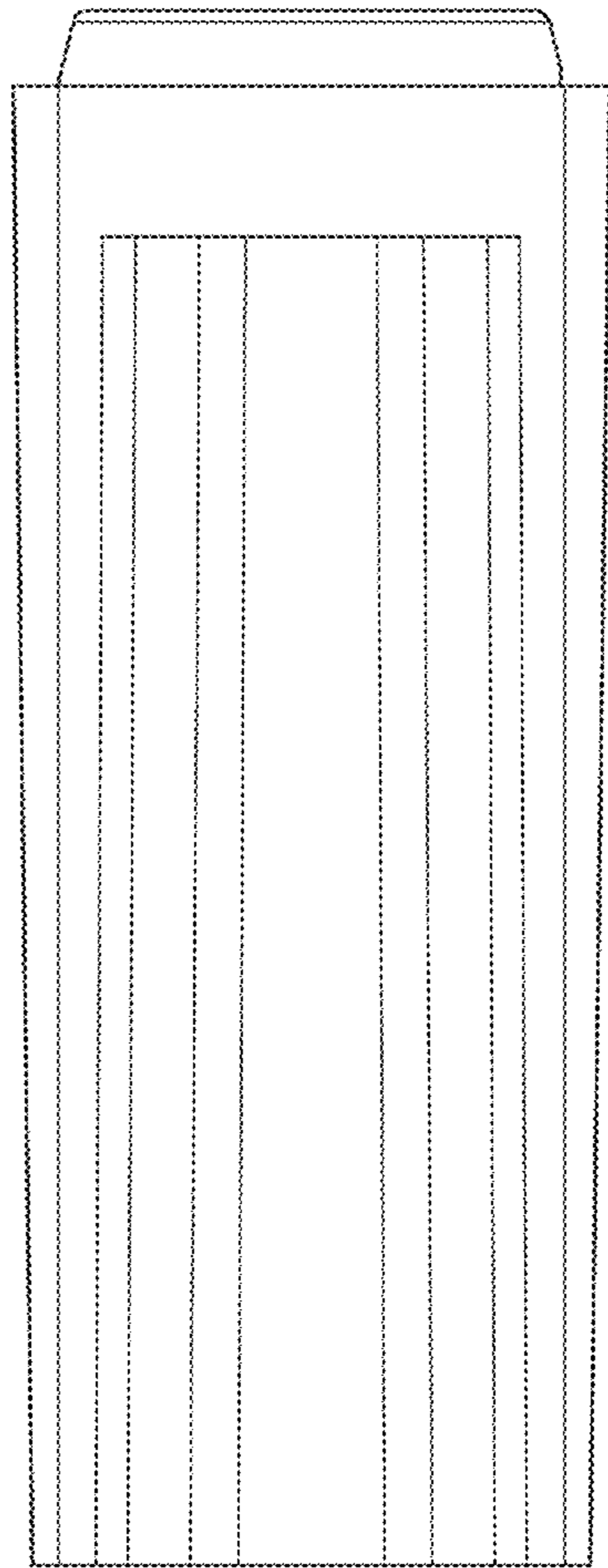


FIG. 3

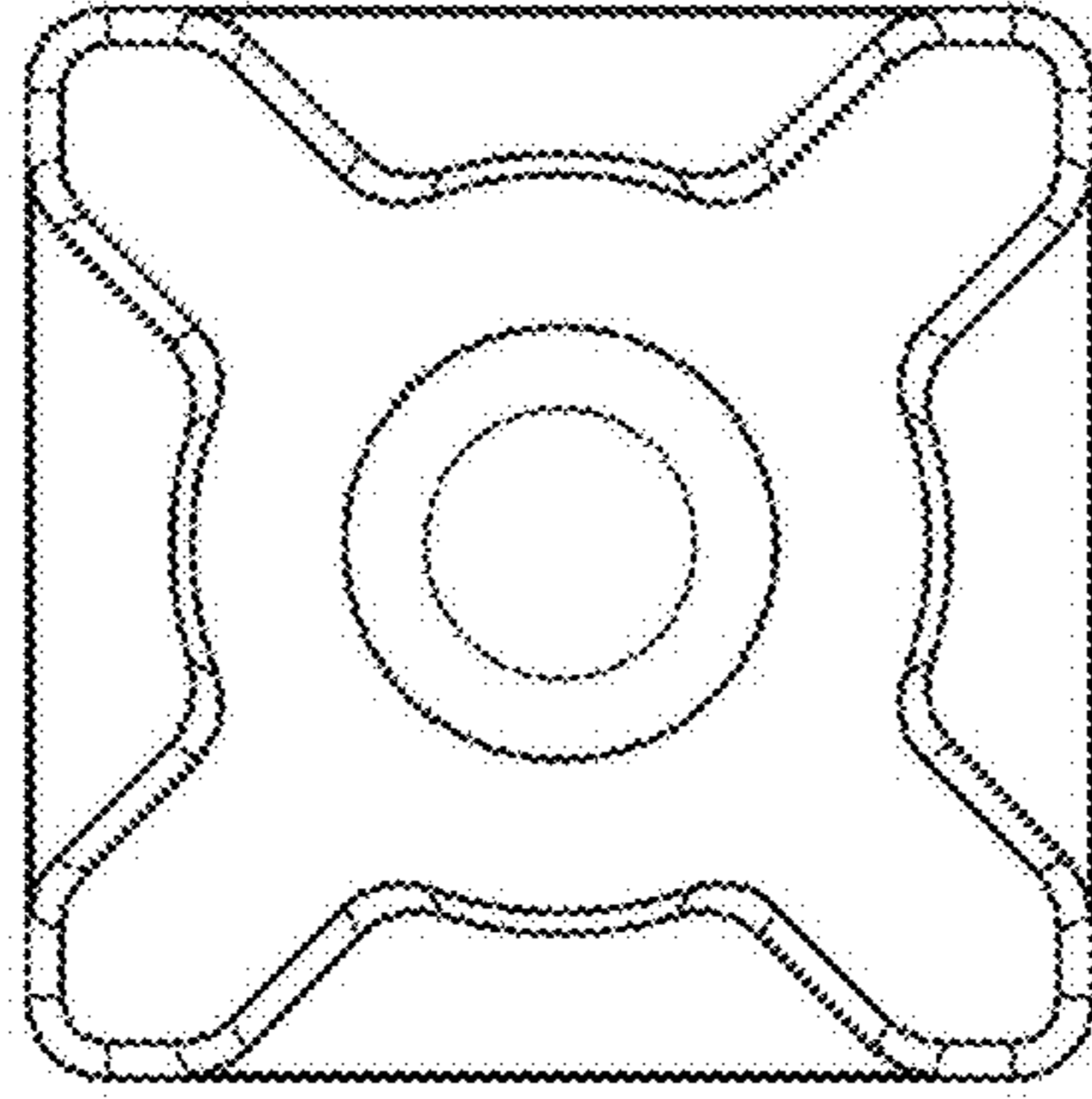


FIG. 4

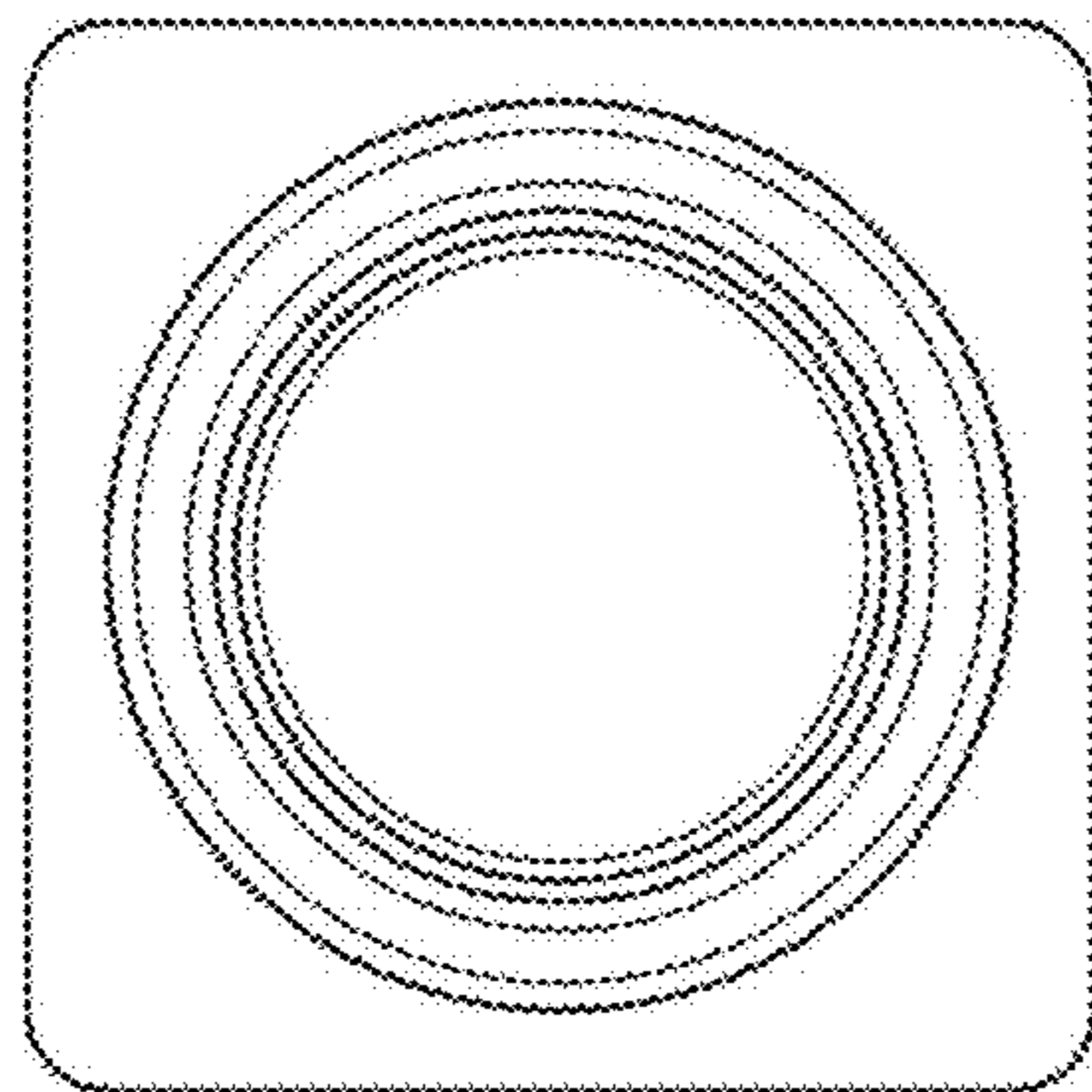


FIG. 5