

US00D904637S

(12) **United States Design Patent** (10) **Patent No.:** **US D904,637 S**
Wang (45) **Date of Patent:** **** Dec. 8, 2020**

(54) **MASSAGER**
(71) Applicant: **Shenzhen Violet Intelligent Communication Co., Ltd., Shenzhen (CN)**
(72) Inventor: **Yin Wang, Shenzhen (CN)**
(73) Assignee: **Shenzhen Violet Intelligent Communication Co., Ltd., Shenzhen (CN)**
(**) Term: **15 Years**

D716,467 S * 10/2014 Kanbar A61H 19/40
D24/215
D717,457 S * 11/2014 Heilman A61H 19/40
D24/215
D739,951 S * 9/2015 Tai D24/215
D759,261 S * 6/2016 Son D24/215
D771,828 S * 11/2016 Sedic D24/215
D771,830 S * 11/2016 Sedic D24/215
D772,422 S * 11/2016 Sedic D24/215
D773,061 S * 11/2016 Loebel D24/200
D773,065 S * 11/2016 Driscoll D24/215
D802,784 S * 11/2017 Lee D24/215
D818,143 S * 5/2018 Cheung D24/215
D823,477 S * 7/2018 Yang D24/215

(Continued)

(21) Appl. No.: **29/691,547**
(22) Filed: **May 16, 2019**
(51) **LOC (12) Cl.** **28-03**
(52) **U.S. Cl.**
USPC **D24/215**
(58) **Field of Classification Search**
USPC D24/200, 211, 212, 213, 214, 215;
D28/7
CPC A61H 1/00; A61H 7/001; A61H 7/007;
A61H 19/40; A61H 2205/087; A61H
21/00; A61H 19/34
See application file for complete search history.

OTHER PUBLICATIONS

Amazon, "Eye Massager", Jan. 6, 2019. https://www.amazon.com/Massager-CleanDell-Remover-Eliminate-Anti-Aging/dp/B07KWL9CZ/ref=sr_1_49?dchild=1&keywords=skin+care+massager&qid=1600274041&sr=8-49. Shown on p. 1 (Year: 2019).*

(Continued)

Primary Examiner — Cynthia Ramirez
Assistant Examiner — Michael A Maharajh
(74) *Attorney, Agent, or Firm* — Westbridge IP LLC

(57) **CLAIM**

The ornamental design for a massager, as shown and described.

(56) **References Cited**

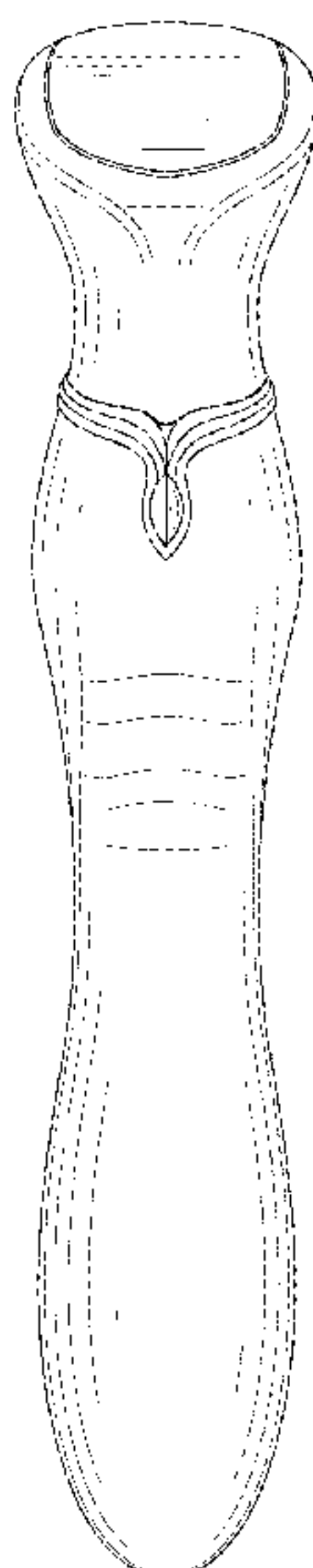
U.S. PATENT DOCUMENTS

D333,351 S * 2/1993 Tsou D24/206
D620,601 S * 7/2010 TerMeer D24/215
D623,311 S * 9/2010 Aulwes D24/214
D649,657 S * 11/2011 Petersen D24/215
D693,017 S * 11/2013 Tai D24/215
D693,933 S * 11/2013 Tai D24/215
D698,451 S * 1/2014 Tai D24/215
D704,345 S * 5/2014 Tai D24/215
D712,054 S * 8/2014 Tai A61H 19/40
D24/215
D716,466 S * 10/2014 Kanbar A61H 19/40
D24/215

DESCRIPTION

FIG. 1 is a front elevational view of a massager showing my new design.
FIG. 2 is a rear elevational view thereof;
FIG. 3 is a left side view thereof;
FIG. 4 is a right side view thereof;
FIG. 5 is a top plan view thereof;
FIG. 6 is a bottom plan view thereof; and,
FIG. 7 is a perspective view thereof.

1 Claim, 7 Drawing Sheets



(56)

References Cited

U.S. PATENT DOCUMENTS

D823,478	S	*	7/2018	Park	D24/215
D837,395	S	*	1/2019	Gan	D24/214
D838,377	S	*	1/2019	Hu	D24/215
D841,830	S	*	2/2019	Hu	D24/215
D842,491	S	*	3/2019	Fleming	D24/215
D847,363	S	*	4/2019	Aulwes	D24/215
D850,638	S	*	6/2019	Cha	D24/200
D861,186	S	*	9/2019	Matsuura	D24/215
D864,407	S	*	10/2019	Zhou	D24/215
D865,989	S	*	11/2019	Colclough	D24/215
D872,295	S	*	1/2020	Friedman	D24/215
D890,944	S	*	7/2020	Tsang	D24/215
D893,042	S	*	8/2020	Lin	D24/215
D894,411	S	*	8/2020	Jin	D24/200

OTHER PUBLICATIONS

Amazon, "Mini Eye Massage", Sep. 16, 2020.https://www.amazon.com/dp/B07PQCRVPY/ref=nav_timeline_asin?encoding=UTF8&psc=1. Shown on p. 1. (Year: 2020).*

* cited by examiner

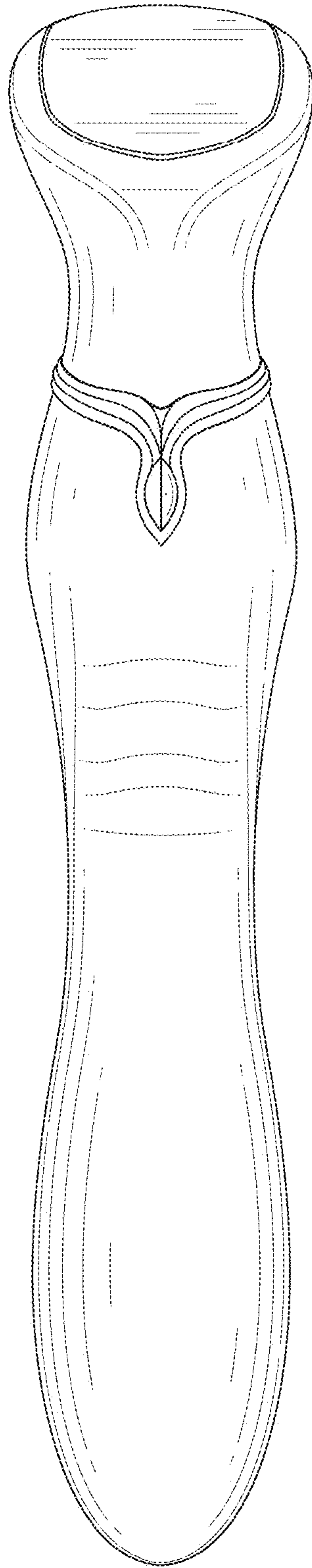


FIG. 1

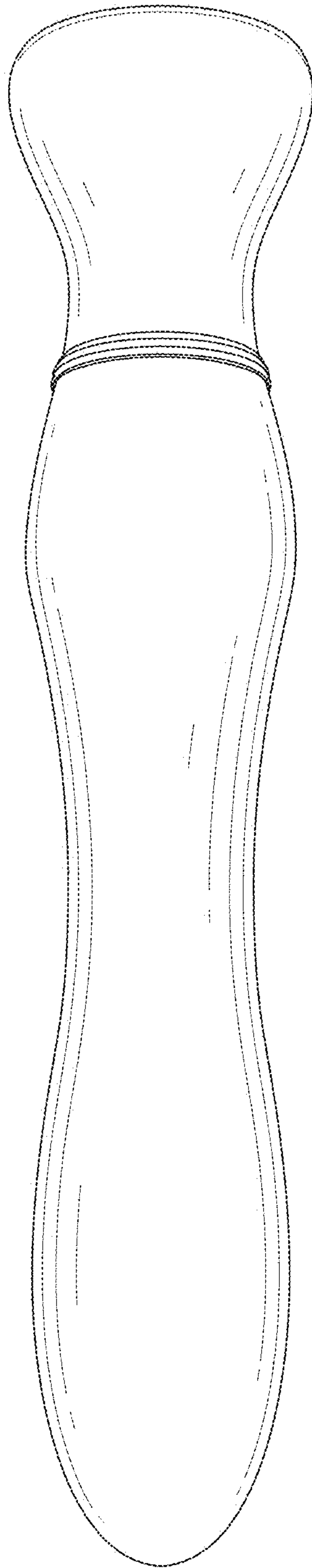


FIG. 2

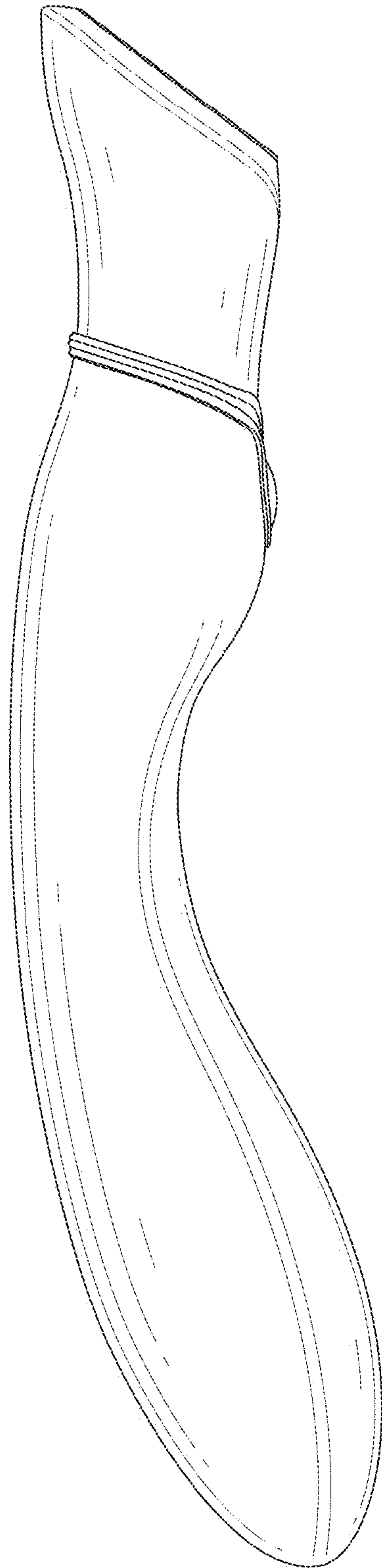


FIG. 3

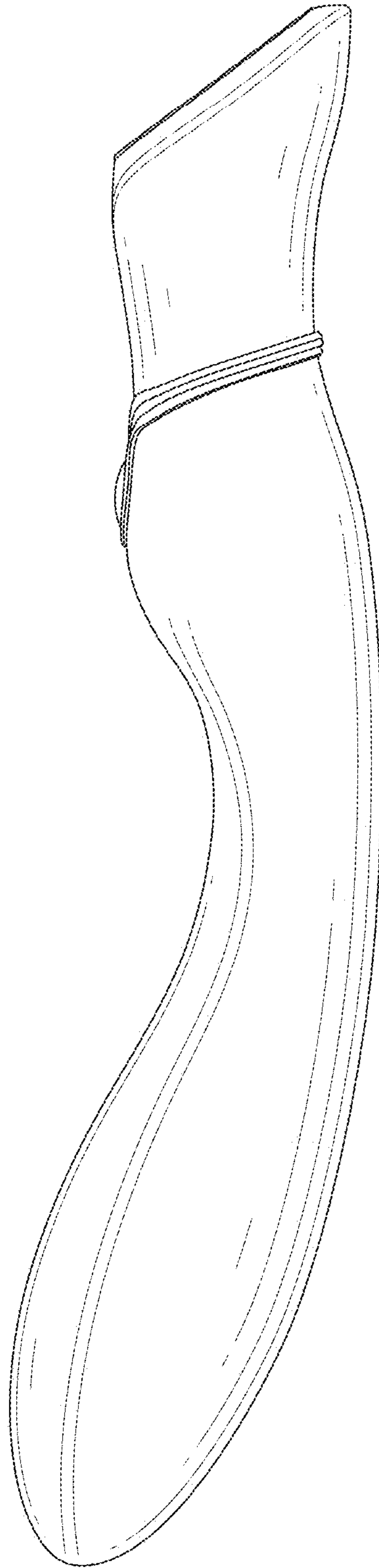


FIG. 4

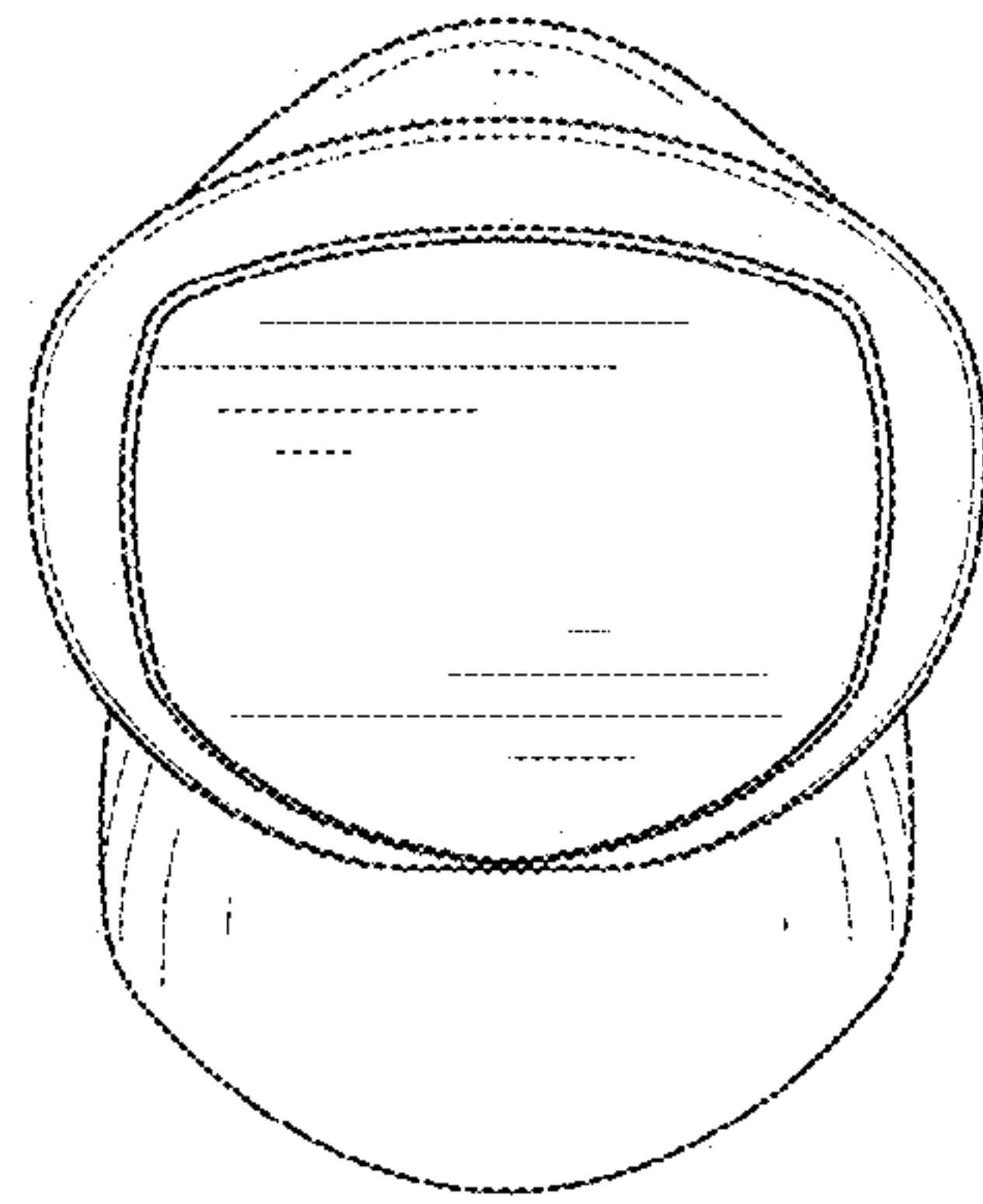


FIG. 5

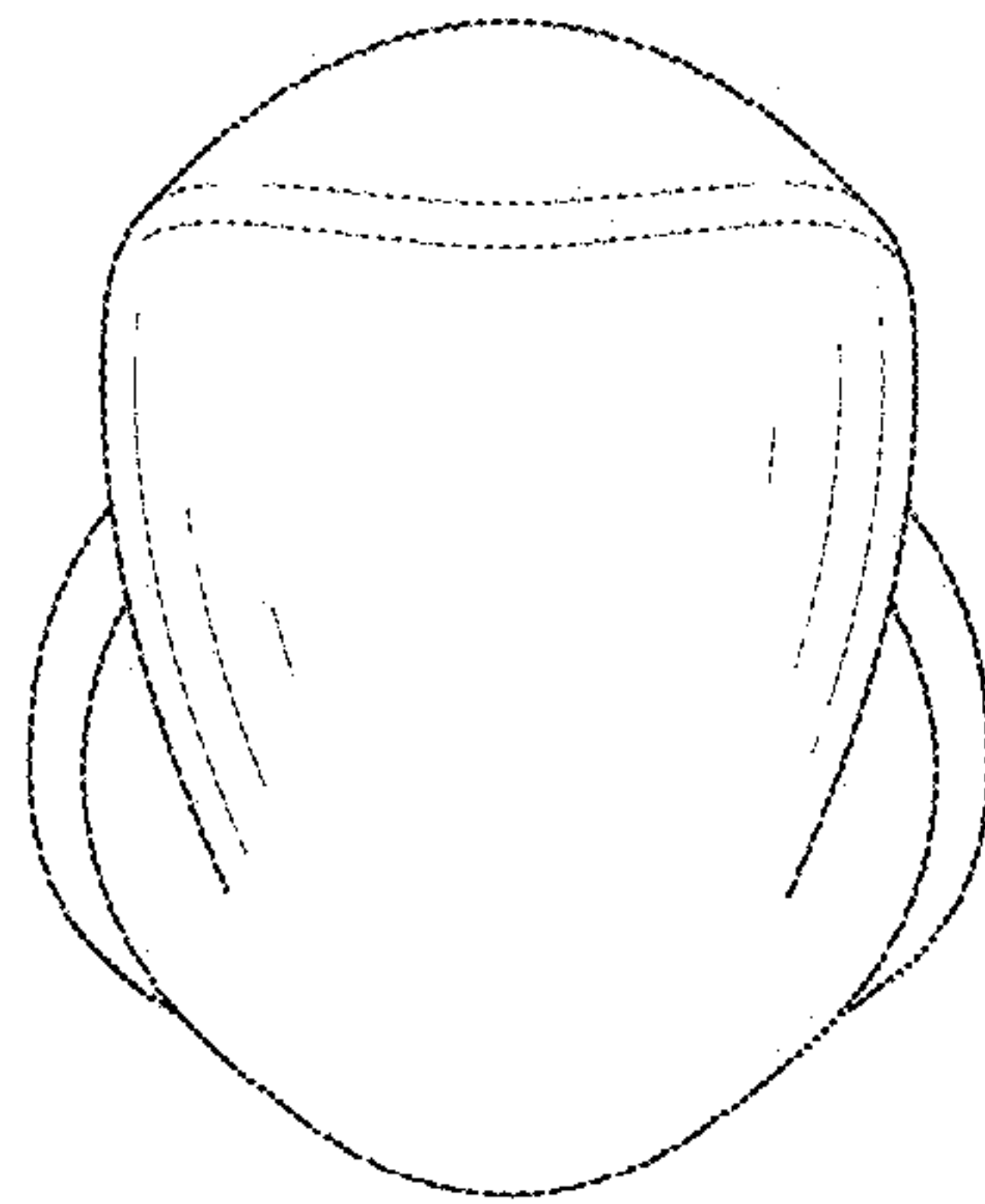


FIG. 6

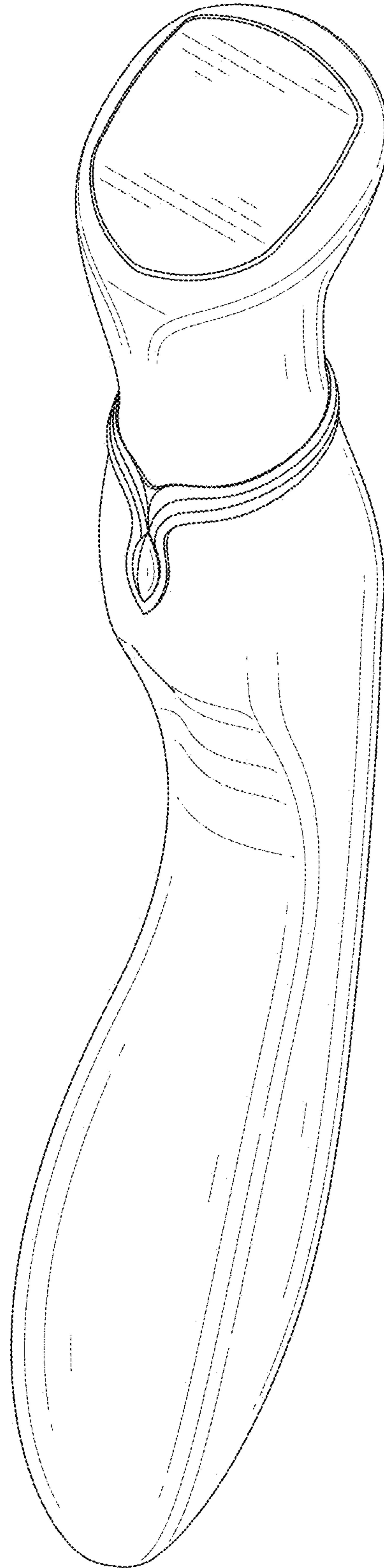


FIG. 7