



US00D904630S

(12) **United States Design Patent** (10) **Patent No.:** **US D904,630 S**
Blake (45) **Date of Patent:** **** Dec. 8, 2020**

(54) **MEDICAL DEVICE**

- (71) Applicant: **ORTHOFIX INC.**, Lewisville, TX (US)
- (72) Inventor: **Steve Blake**, Allen, TX (US)
- (73) Assignee: **Orthofix Inc.**, Lewisville, TX (US)
- (**) Term: **15 Years**
- (21) Appl. No.: **29/715,557**
- (22) Filed: **Dec. 3, 2019**

Related U.S. Application Data

- (63) Continuation of application No. 29/639,289, filed on Mar. 5, 2018, now Pat. No. Des. 871,597.
- (51) **LOC (12) Cl.** **28-03**
- (52) **U.S. Cl.**
USPC **D24/200**
- (58) **Field of Classification Search**
USPC D24/200, 214–215, 190, 171, 107;
600/9–10, 13–15
CPC A61F 5/01; A61F 5/0109; A61F 5/0111;
A61N 2/004; A61N 2/006; A61N 2/02;
A61N 2/12; A61N 2/326; A61N 2/36;
A61N 2/36003; A61N 2/40
See application file for complete search history.

(56) **References Cited**

U.S. PATENT DOCUMENTS

4,266,532 A	5/1981	Ryaby
4,548,208 A	10/1985	Niemi
5,067,940 A	11/1991	Liboff
D326,913 S	6/1992	Staples
5,318,561 A	6/1994	McLeod
5,743,844 A	4/1998	Tepper

(Continued)

OTHER PUBLICATIONS

Orthofix Holdings, Inc, "A Patient's Guide to Spine Fusion Stimulation," dated Jun. 2014 //pdf.medicalexpo.com/pdf/orthofix/cervical-stim-patient-q/74966-148857.html, 4 pgs.

(Continued)

Primary Examiner — Wan Laymon

(74) *Attorney, Agent, or Firm* — Haynes and Boone, LLP

(57) **CLAIM**

The ornamental design for a medical device, as shown and described.

DESCRIPTION

U.S. patent application Ser. No. 29/639,289 is related to, and incorporates by reference, the entire disclosures of U.S. application Ser. Nos. 29/639,287, 29/639,249, 29/639,258, 29/639,241, and 29/639,259, all filed Mar. 5, 2018, the entire disclosures of which are hereby incorporated herein by reference.

FIG. 1 is a front perspective view of a medical device showing my new design;

FIG. 2 is a front elevational view thereof;

FIG. 3 is a rear elevational view thereof;

FIG. 4 is a right side elevational view thereof;

FIG. 5 is a left side elevational view thereof;

FIG. 6 is a top plan view thereof;

FIG. 7 is a bottom plan view thereof;

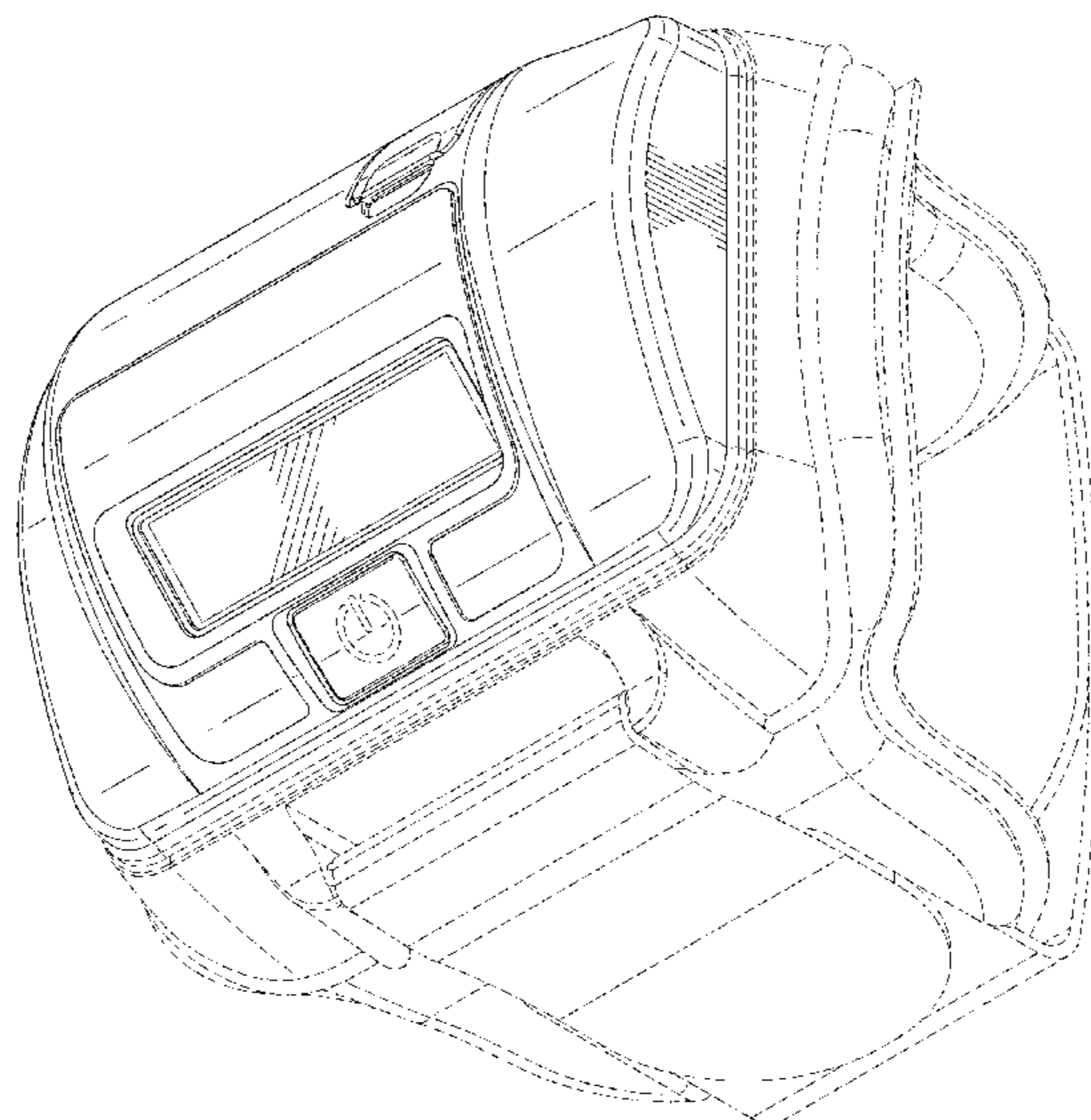
FIG. 8 is a rear perspective view thereof; and,

FIG. 9 is another front perspective view thereof, the front perspective view of FIG. 9 being similar to the front perspective view of FIG. 1 but for the depiction in broken lines of unclaimed environmental structure in FIG. 9.

The broken lines in FIGS. 1-8 depict portions of the medical device that form no part of the claimed design.

The broken lines in FIG. 9 depict portions of the medical device that form no part of the claimed design, and also depict environmental structure that forms no part of the claimed design.

1 Claim, 9 Drawing Sheets



(56)

References Cited

U.S. PATENT DOCUMENTS

5,792,040	A	8/1998	Koeneman	
6,024,691	A	2/2000	Tepper	
6,364,824	B1	4/2002	Fitzsimmons	
6,592,509	B1	7/2003	Hunter	
7,465,269	B2	12/2008	Culhane	
D742,020	S	10/2015	Russold	
D834,719	S	11/2018	Theriot	
D861,898	S *	10/2019	Blake D24/200
2013/0245358	A1	9/2013	Johnson	
2014/0194668	A1 *	7/2014	Hanson A61N 2/004 600/9
2019/0328569	A1 *	10/2019	Tansingco A61F 5/01

OTHER PUBLICATIONS

Orthofix Holdings, Inc. "A Patient's Guide to Insurance Coverage for Bone Gross Therapy." Sep. 16, 2016. 5 pages.

Abrexis Medical. "The Healing Advantage Cervical-Stim," Aug. 8, 2013. retrieved from 'Twitter Apr. 4, 2018 <https://pbs.twimg.com/media/BRLVrARCYAAOY2T.jpg:large>, 2 pages.

Abrexis Medical. "The Healing Advantage Spinal-Stim." Aug. 8, 2013, retrieved from Twitter Apr. 4, 2018 <https://pbs.twimg.com/media/BRLVjnGCQAAYU9A.jpg:large>, 2 pages.

* cited by examiner



Fig. 1

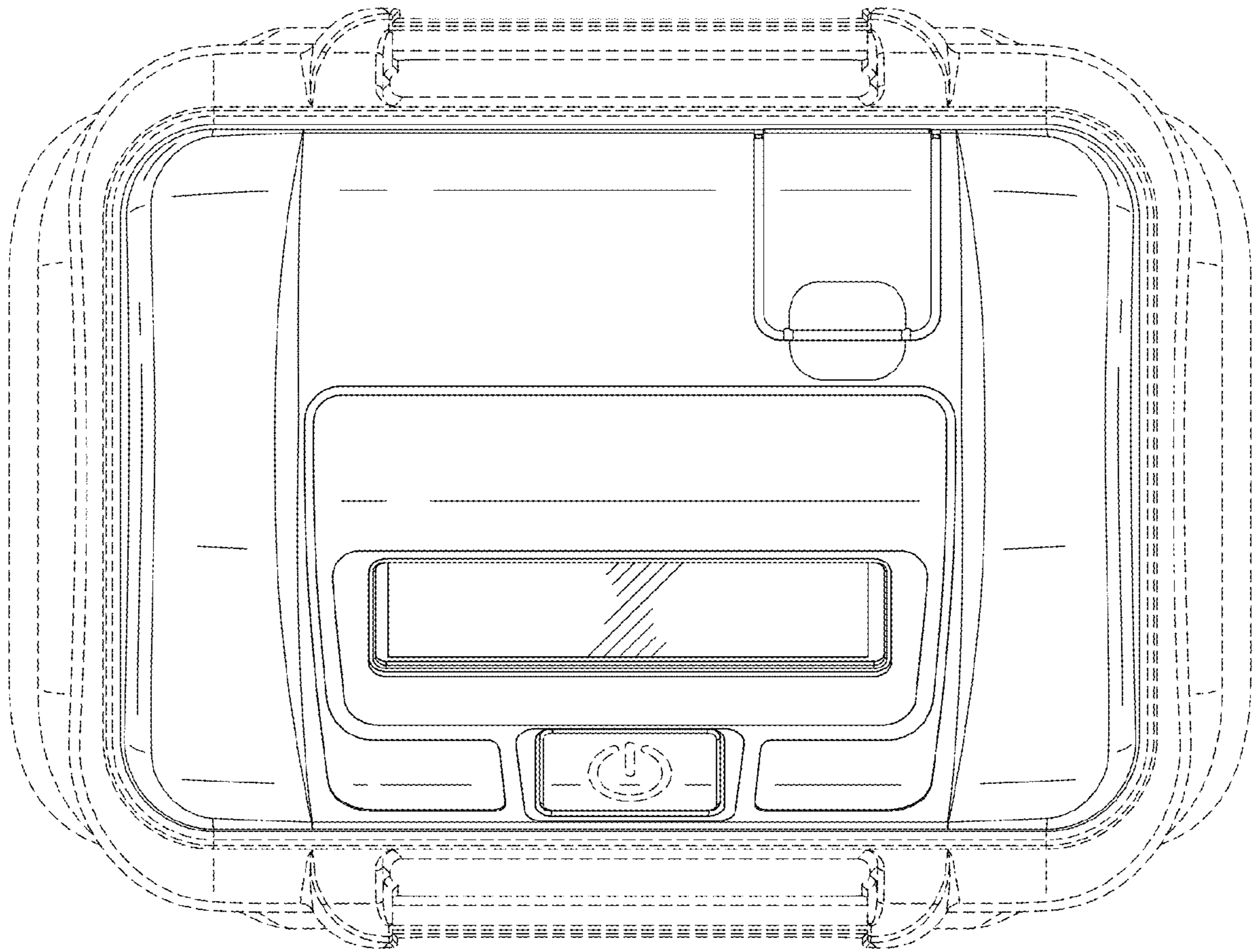


Fig. 2

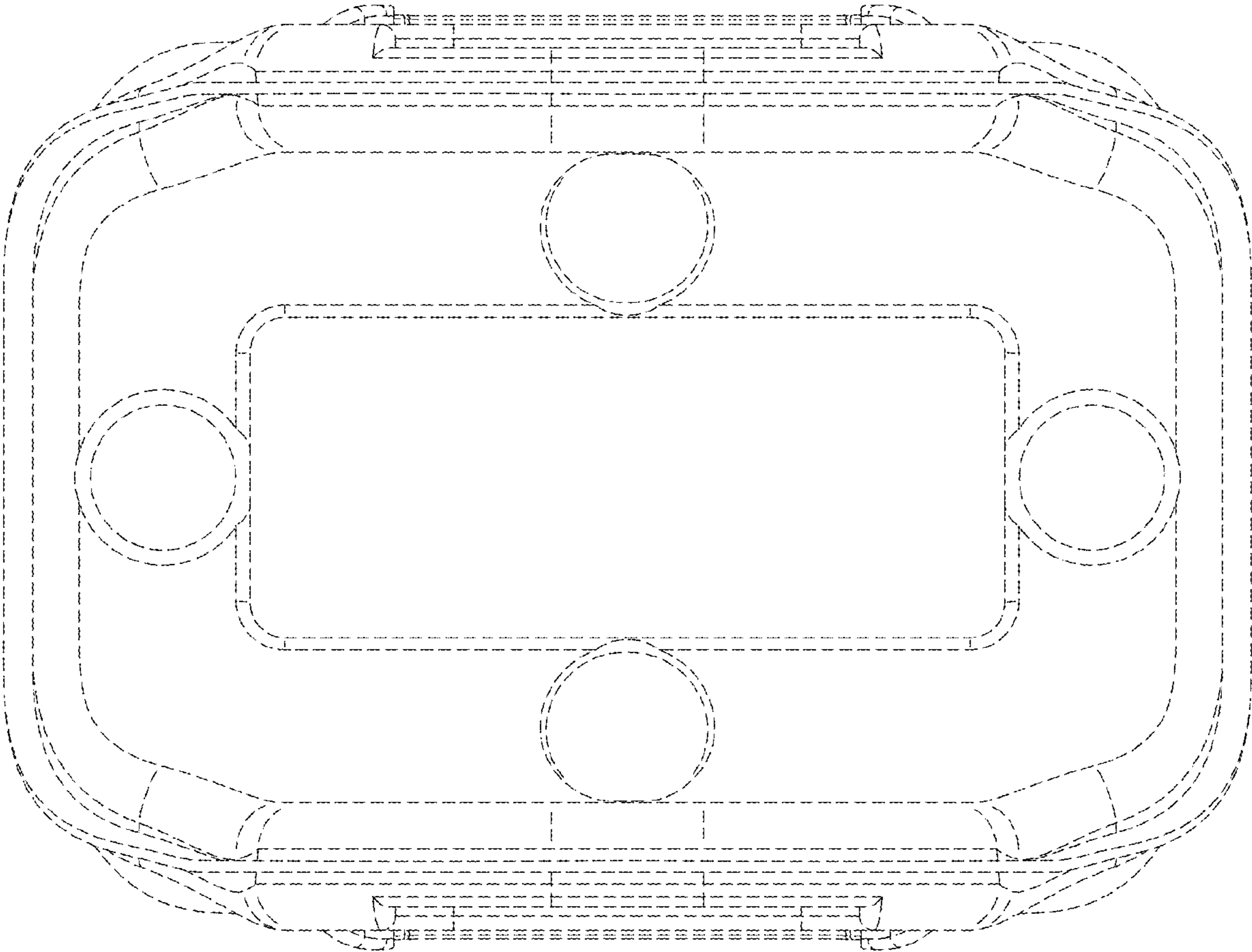


Fig. 3

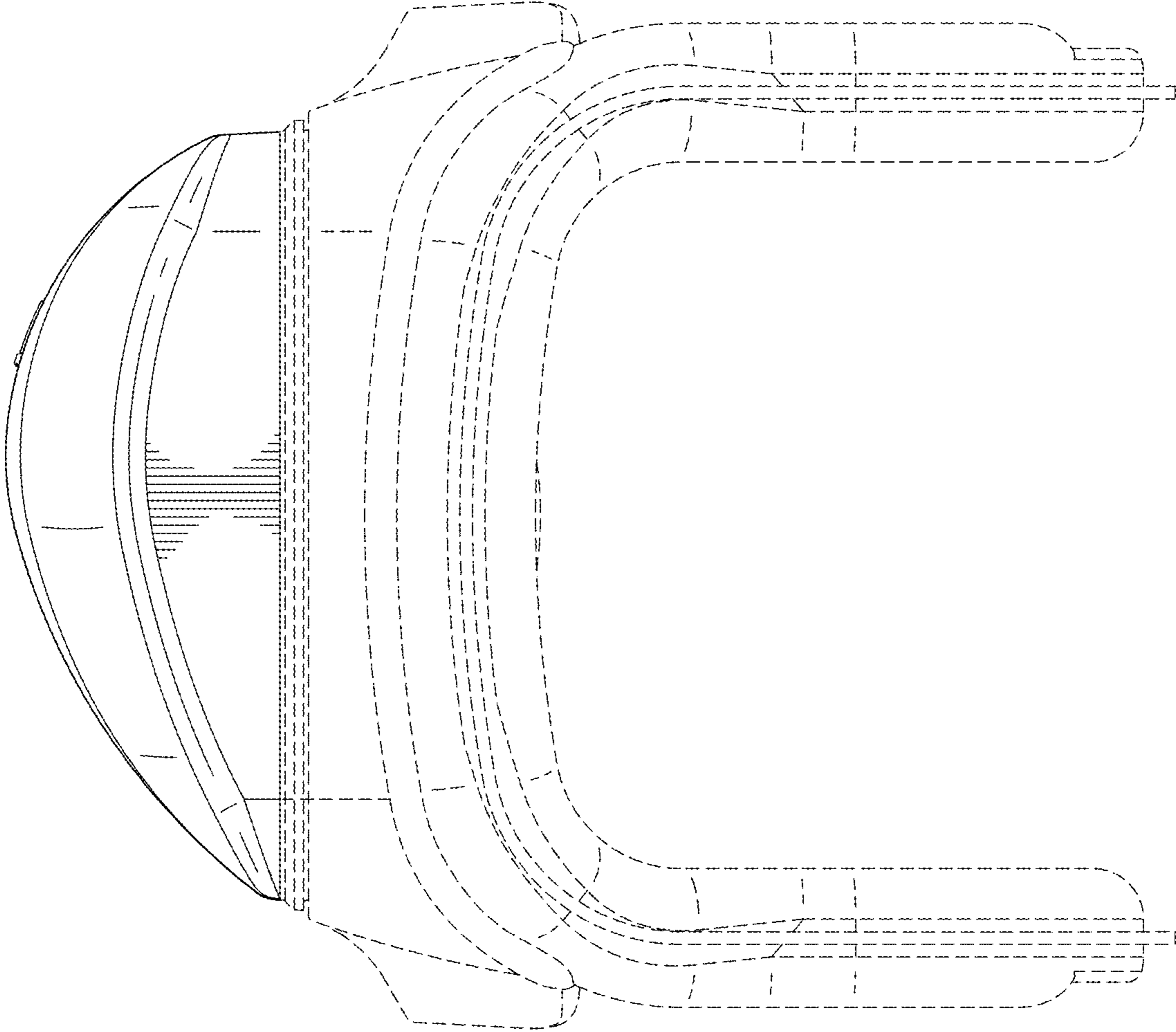


Fig. 4

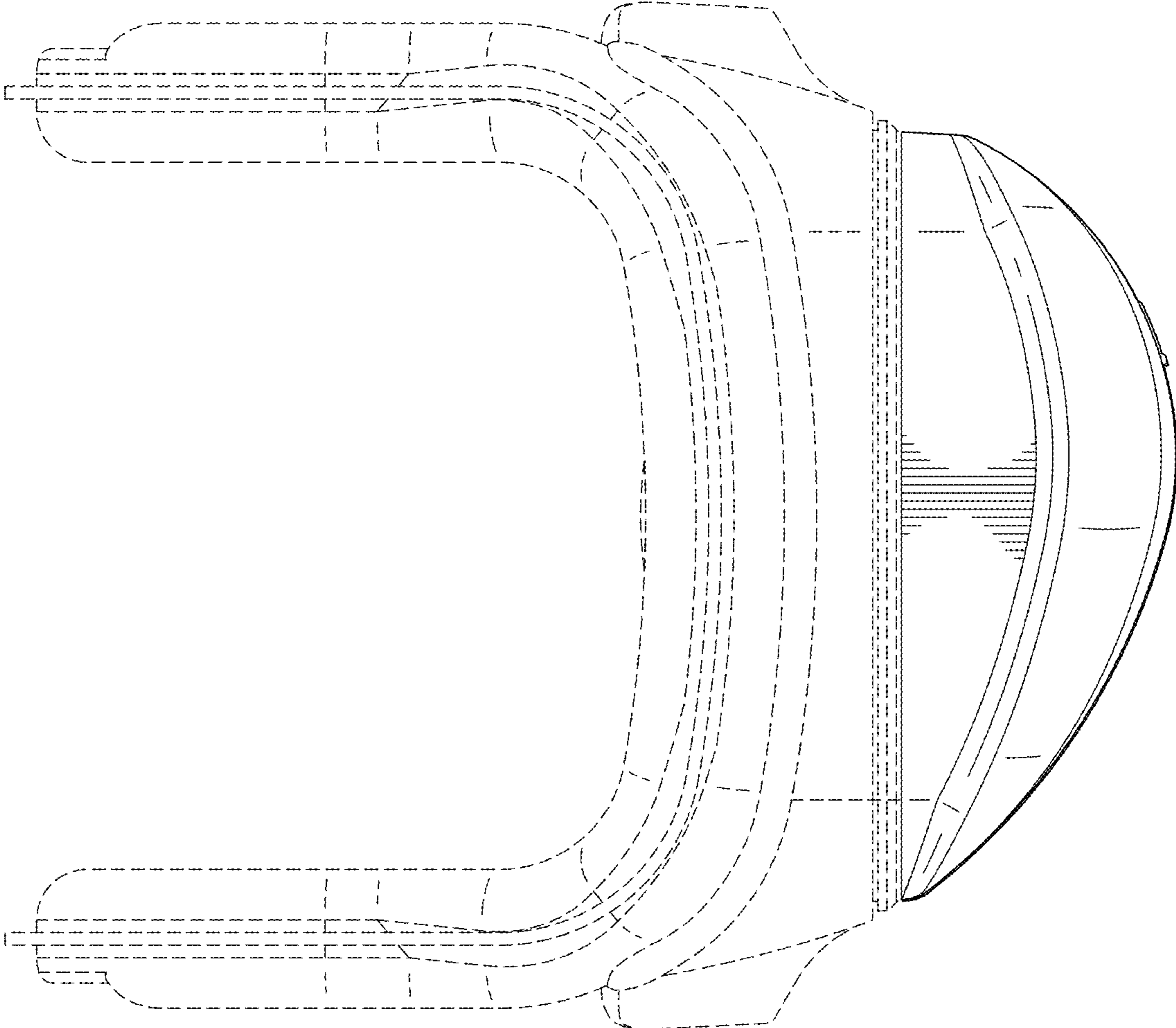


Fig. 5

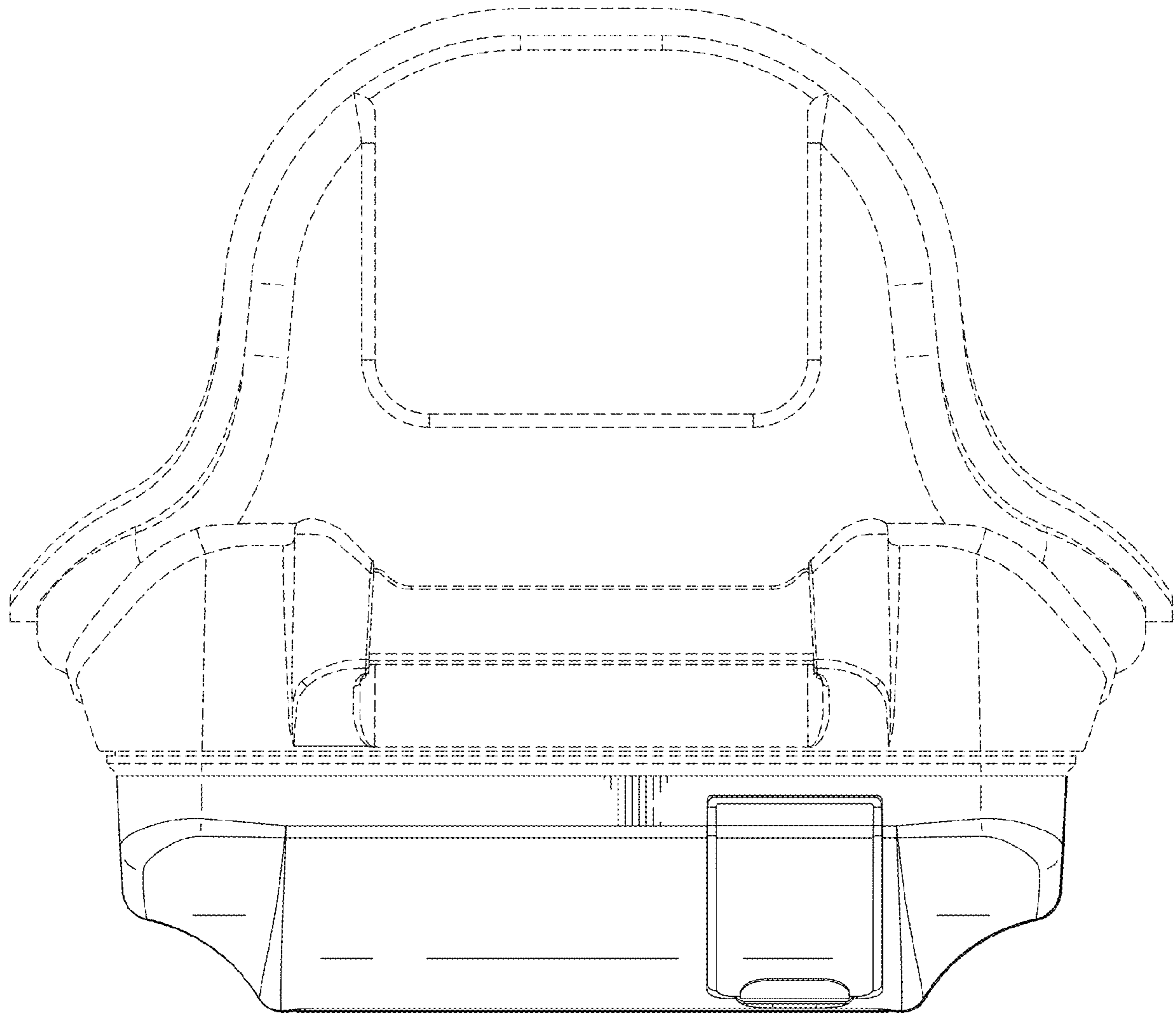


Fig. 6

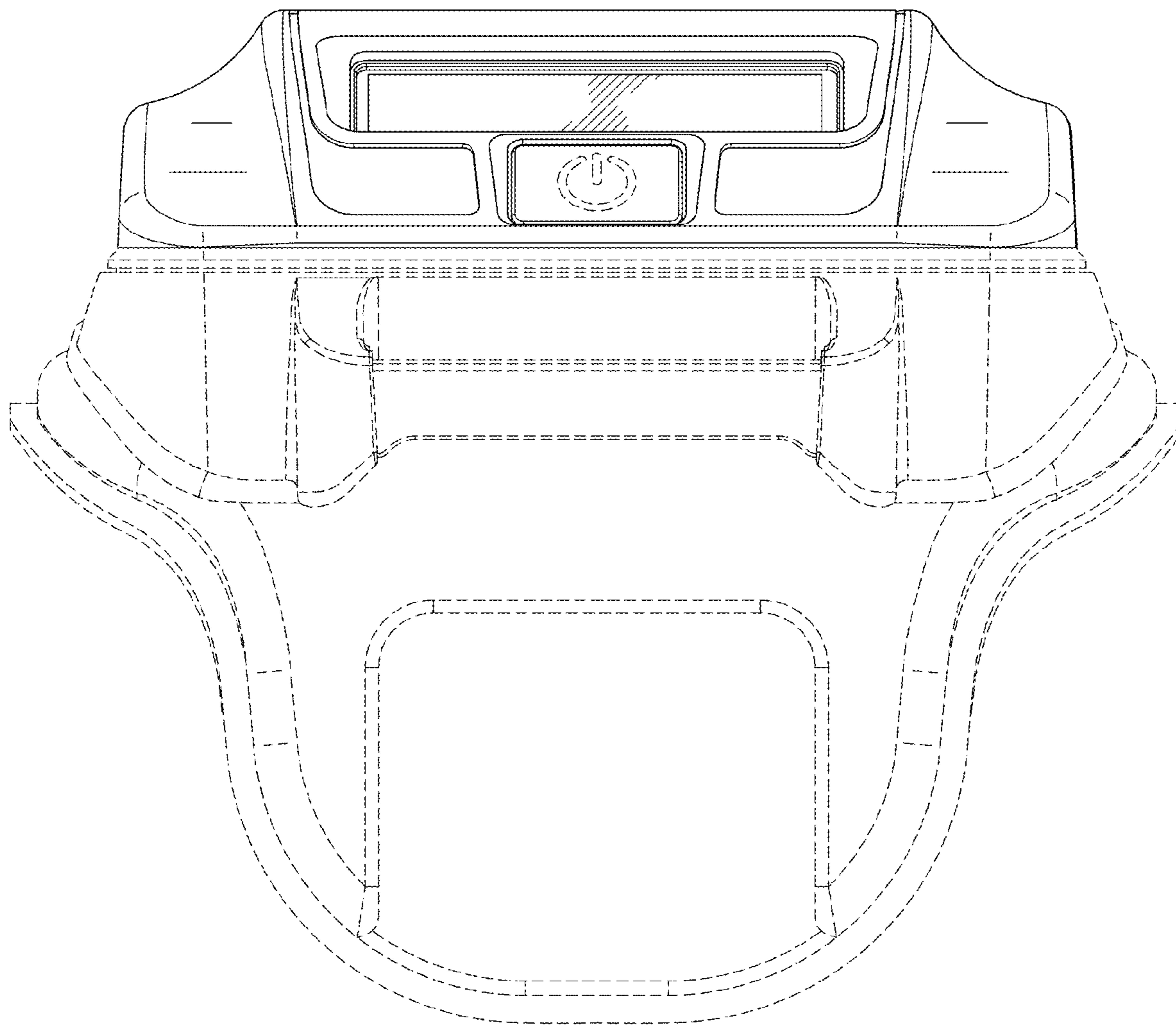


Fig. 7



Fig. 8

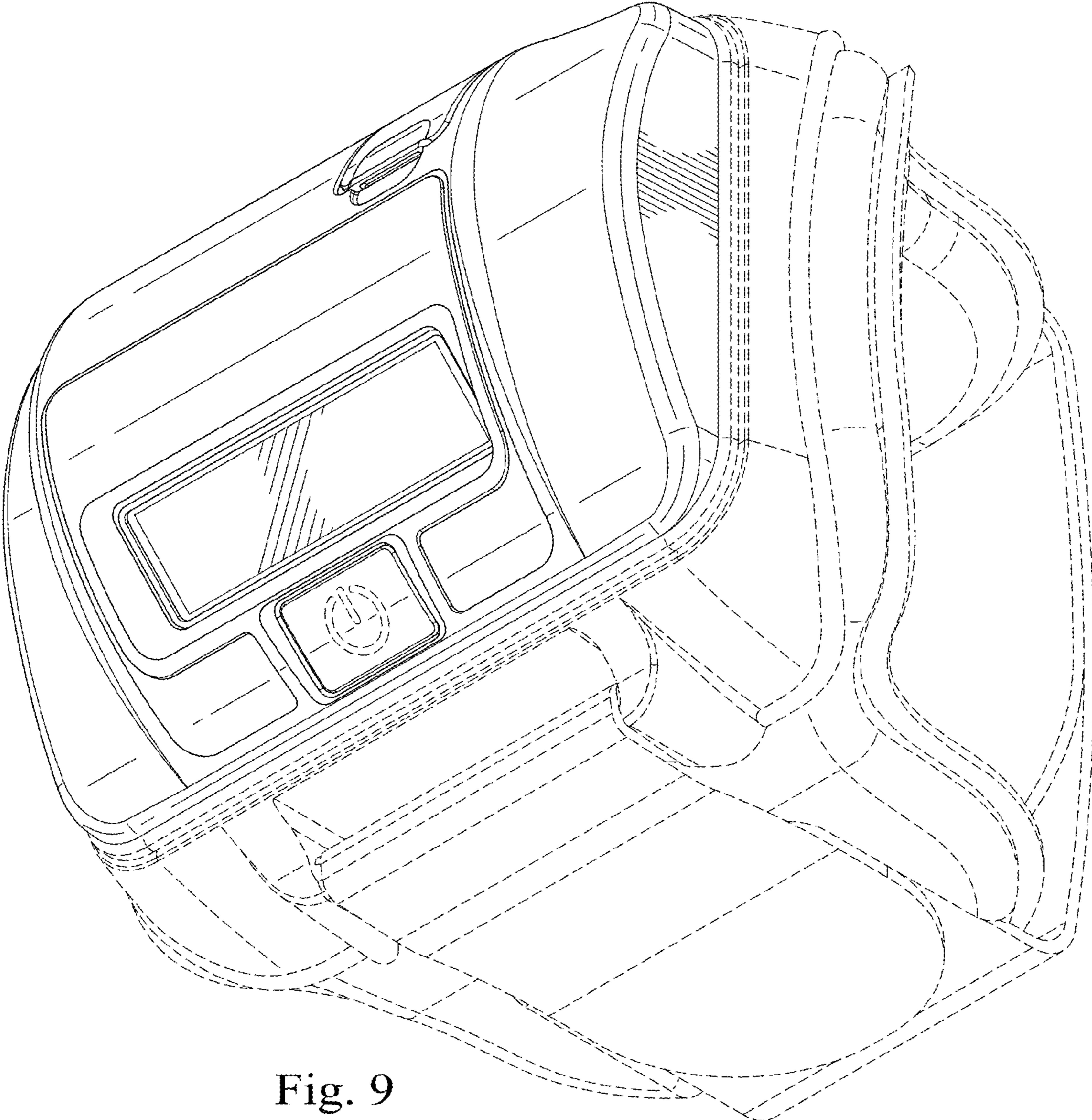


Fig. 9