



US00D904626S

(12) **United States Design Patent**
Wilgus-Hansen

(10) **Patent No.:** **US D904,626 S**

(45) **Date of Patent:** **** Dec. 8, 2020**

(54) **SKIN FOLD BARRIER**

(71) Applicant: **Marci Wilgus-Hansen**, Ferdinand, IN
(US)

(72) Inventor: **Marci Wilgus-Hansen**, Ferdinand, IN
(US)

(**) Term: **15 Years**

(21) Appl. No.: **29/686,037**

(22) Filed: **Apr. 2, 2019**

(51) **LOC (12) Cl.** **24-04**

(52) **U.S. Cl.**
USPC **D24/190**

(58) **Field of Classification Search**
USPC D24/124–128, 132, 133, 185–193, 199,
D24/200, 206, 209, 210, 212–215;
D29/100, 108, 113, 120.1, 121.1, 121.2;
D30/144, 146
CPC . A61F 13/53; A61F 13/8405; A61F 13/00042
See application file for complete search history.

(56) **References Cited**

U.S. PATENT DOCUMENTS

4,243,028	A *	1/1981	Puyana	A61F 13/108 602/62
4,595,391	A *	6/1986	Abplanalp	A61F 13/00063 424/449
4,601,716	A *	7/1986	Smith	A61F 5/4401 604/349
5,603,653	A	2/1997	Hartman		
6,406,353	B1	6/2002	Harper		
D616,631	S	6/2010	Dandron		
8,152,592	B1	4/2012	Lavigne		
D784,544	S *	4/2017	Dudkiewicz	D24/190
D831,221	S *	10/2018	Smith	D24/190

D868,271	S *	11/2019	Coughlan	D24/190
D869,670	S *	12/2019	Bigelow	D24/206
10,507,139	B2 *	12/2019	Keinan	A61F 13/0273
D875,260	S *	2/2020	Rokitta	D24/190
2012/0207811	A1	8/2012	Tauer		
2013/0172802	A1	7/2013	Cavanaugh		
2015/0216741	A1	8/2015	Burgess		

FOREIGN PATENT DOCUMENTS

WO 2013111021 8/2013

OTHER PUBLICATIONS

First Cry Parenting. Post Pregnancy Belt—Does it help to Reduce a Belly Pouch? by Tian C. Jul. 4, 2019. <https://parenting.firstcry.com/articles/post-pregnancy-belt-does-it-help-to-reduce-the-belly-pouch/> (Year: 2019).*

* cited by examiner

Primary Examiner — Darcey E Gottschalk

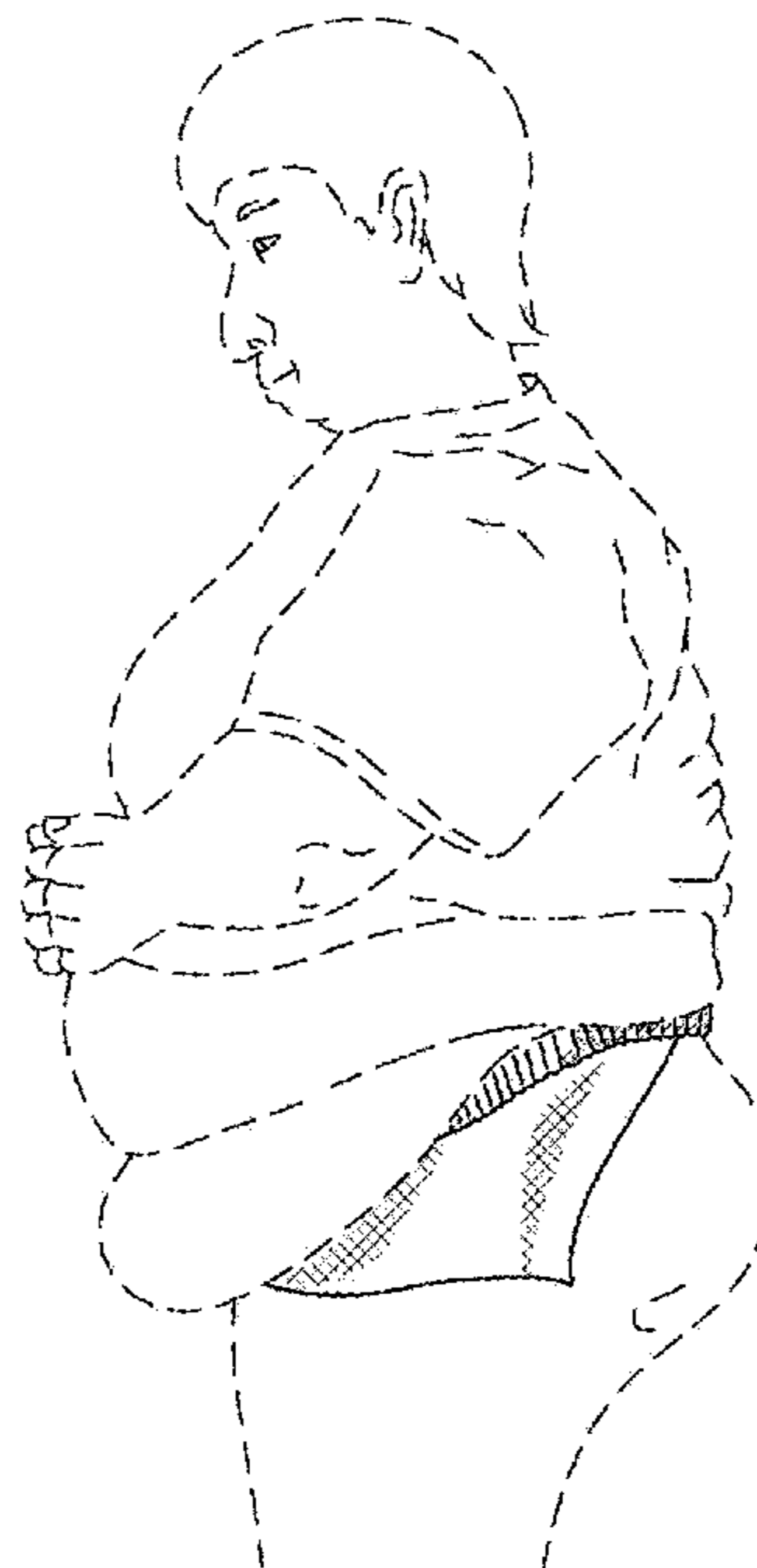
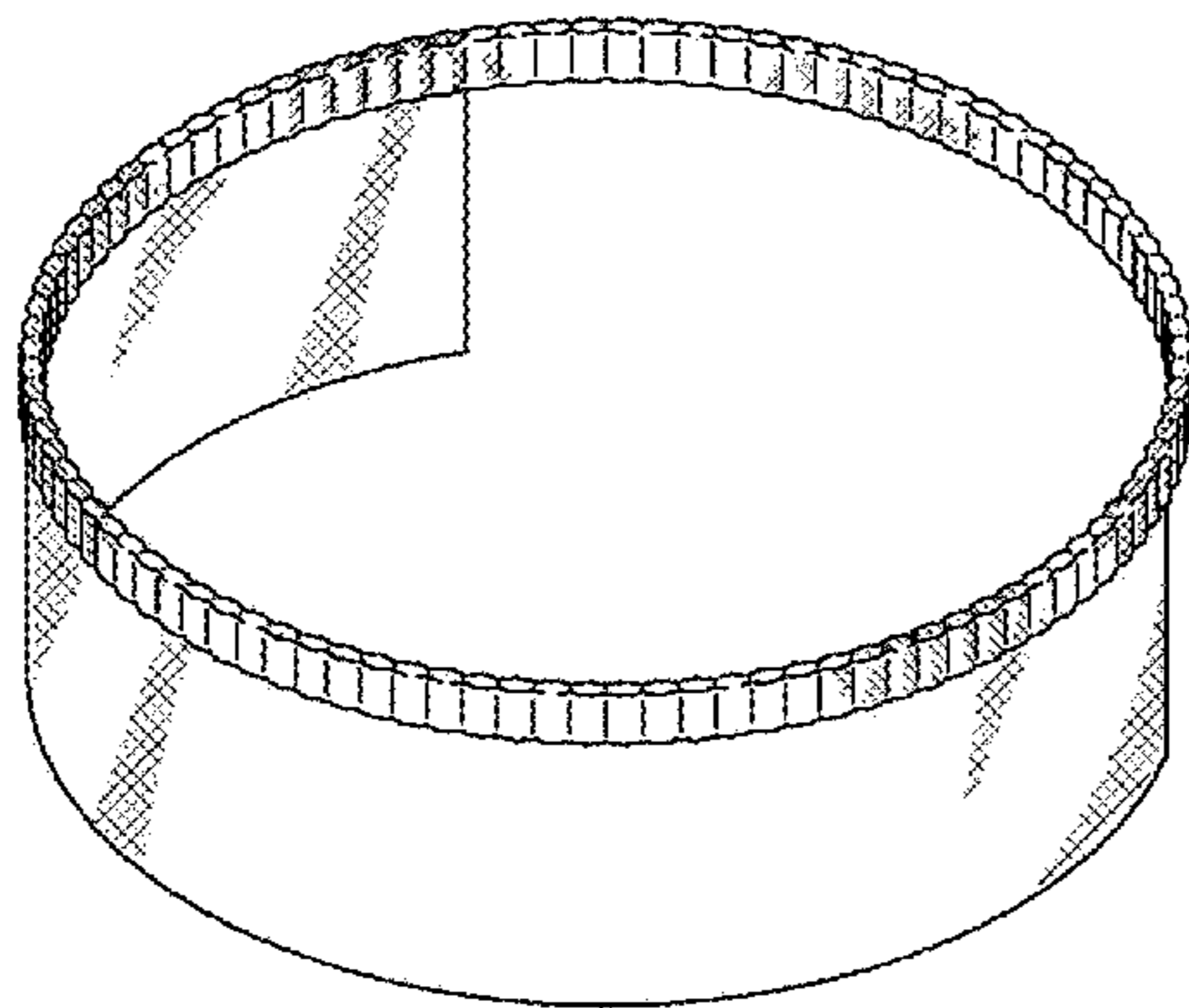
(57) **CLAIM**

I claim the ornamental design for a skin fold barrier, as shown and described.

DESCRIPTION

FIG. 1 is a front view of the skin fold barrier.
FIG. 2 is a rear view of the claimed design.
FIG. 3 is a left side view of the claimed design.
FIG. 4 is a right side view of the claimed design.
FIG. 5 is a top view of the claimed design.
FIG. 6 is a bottom view of the claimed design.
FIG. 7 is a perspective view of the claimed design; and,
FIG. 8 is a view of the claimed design in use with a figure. The broken lines appearing on FIG. 8 of a figure are environmental matter forming no part of the claimed design.

1 Claim, 6 Drawing Sheets



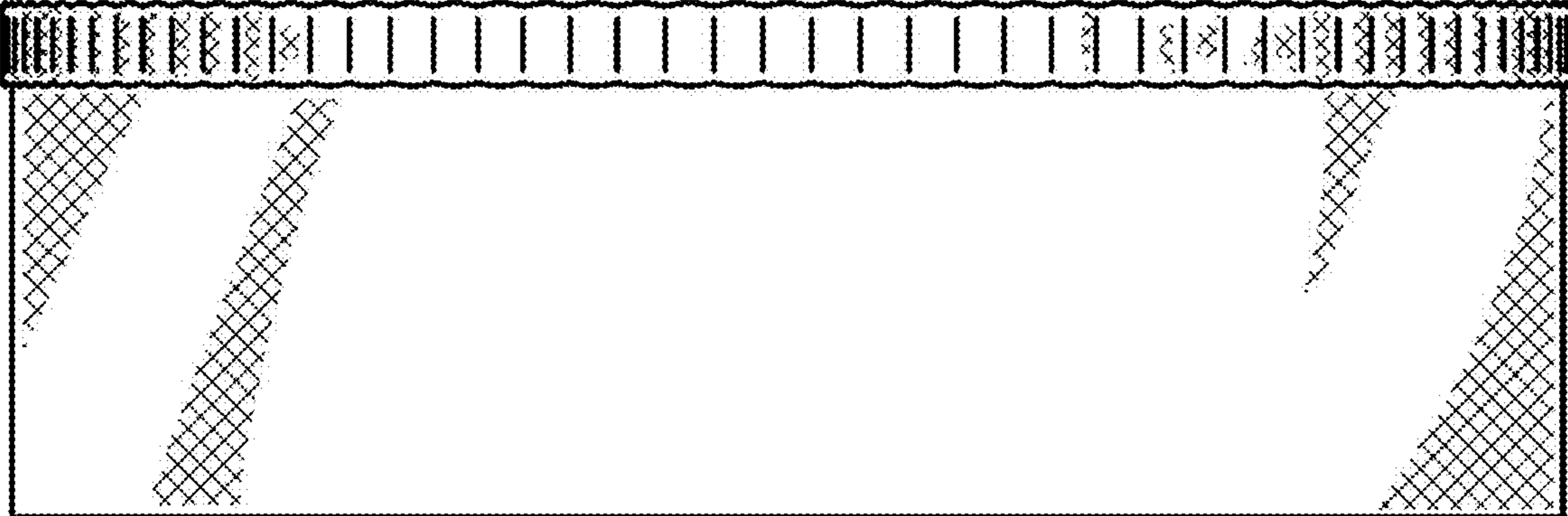


FIG. 1

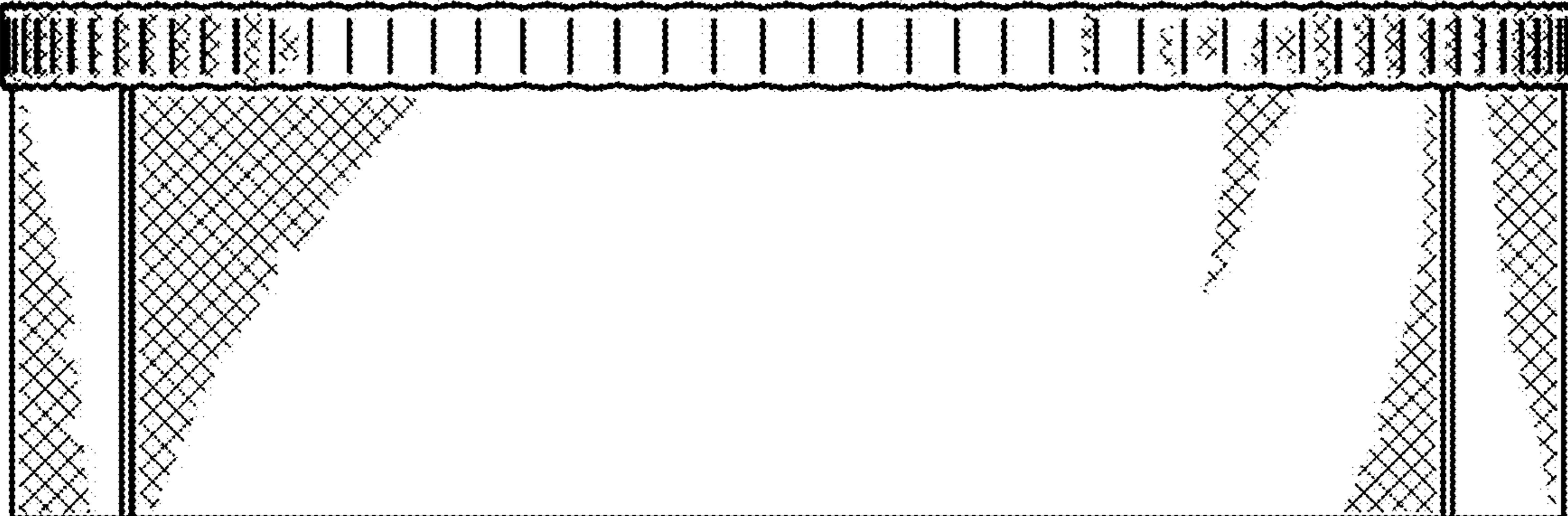


FIG. 2

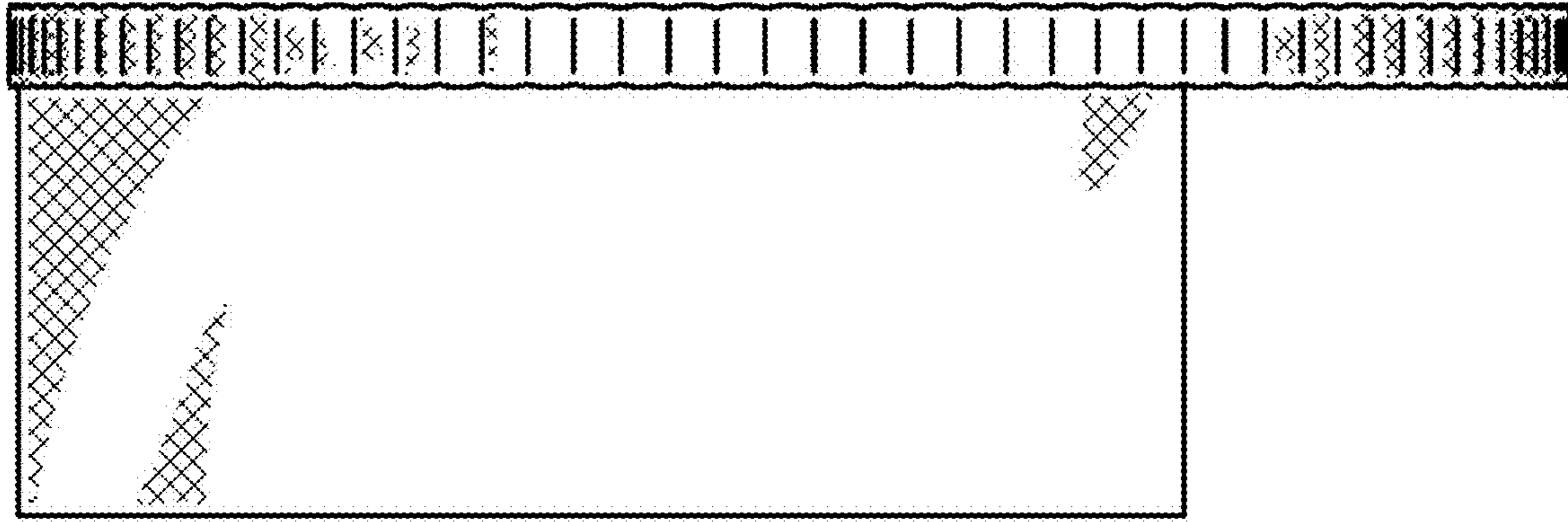


FIG. 3

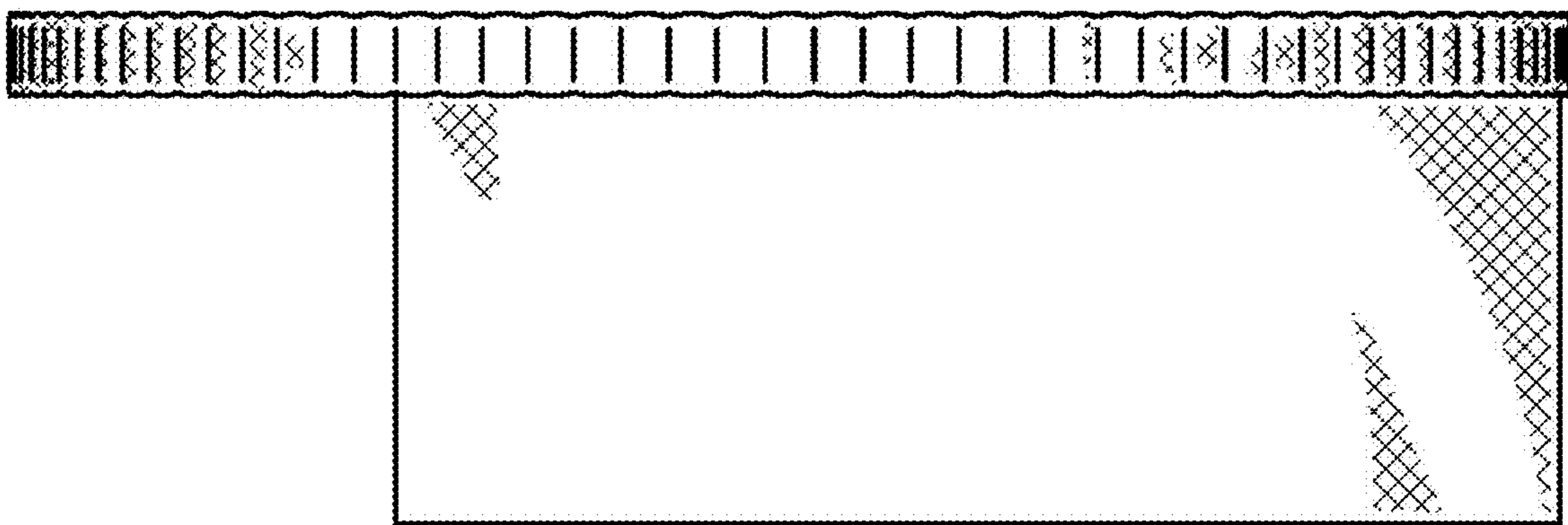


FIG. 4

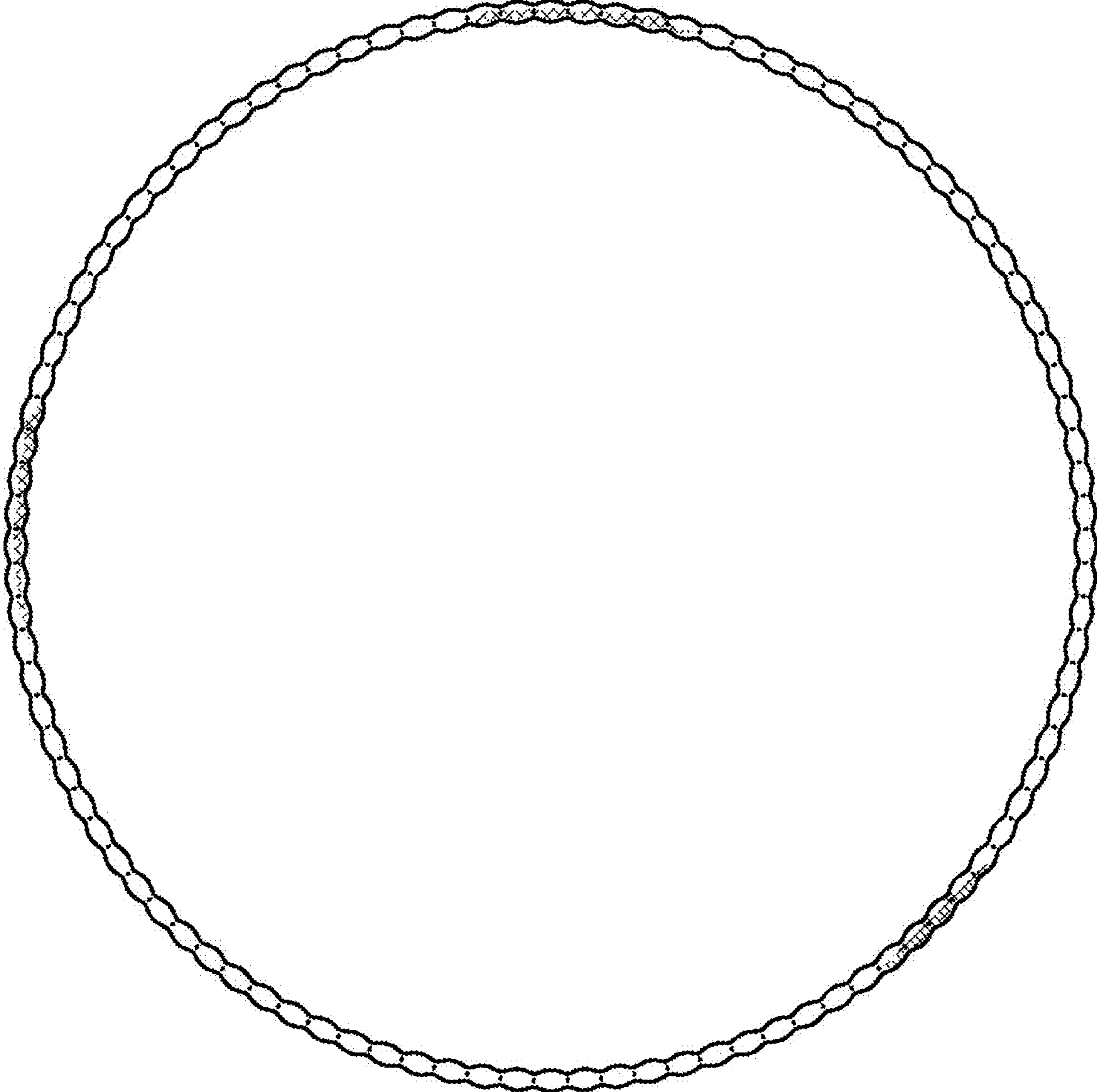


FIG. 5

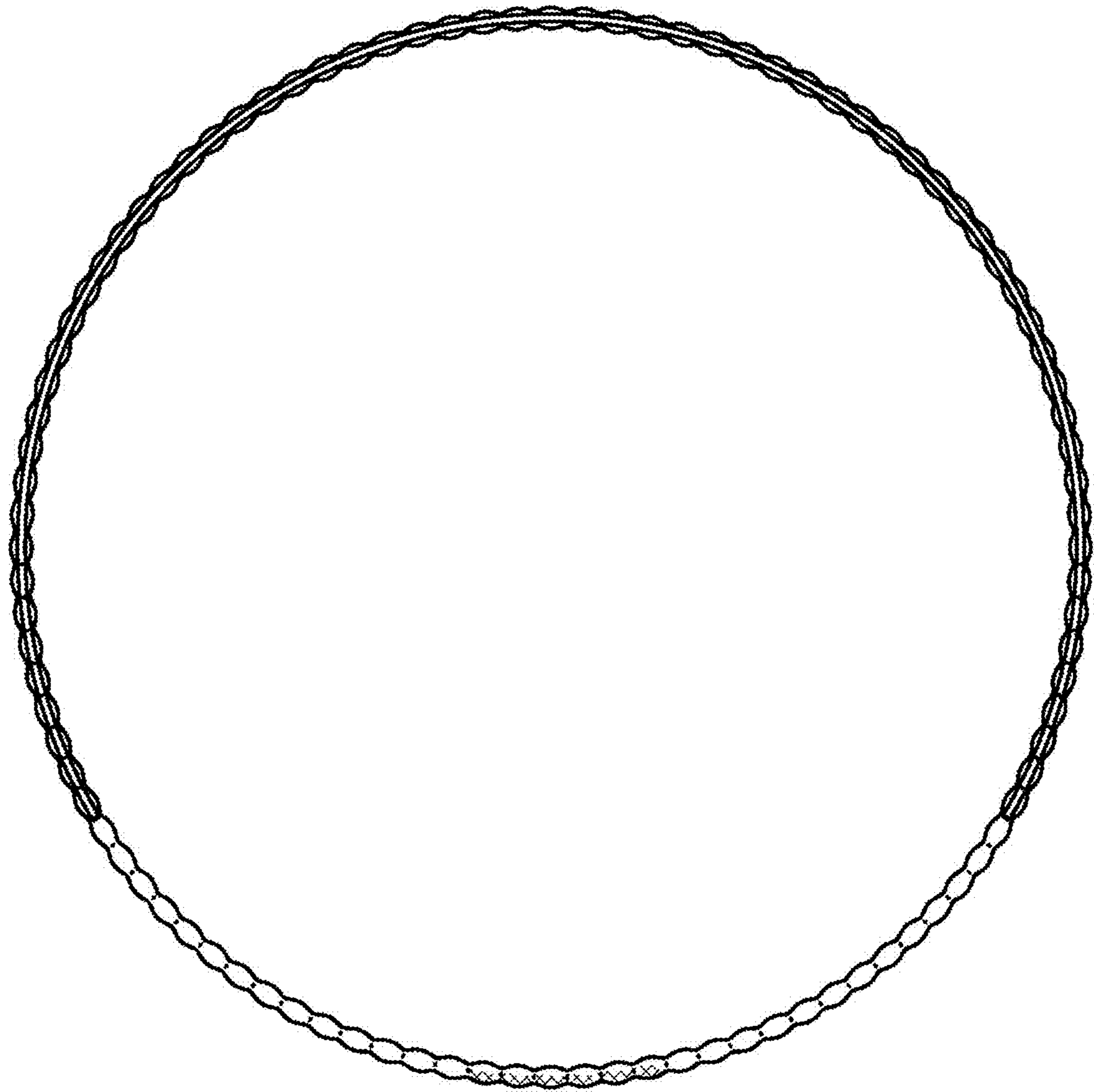


FIG. 6

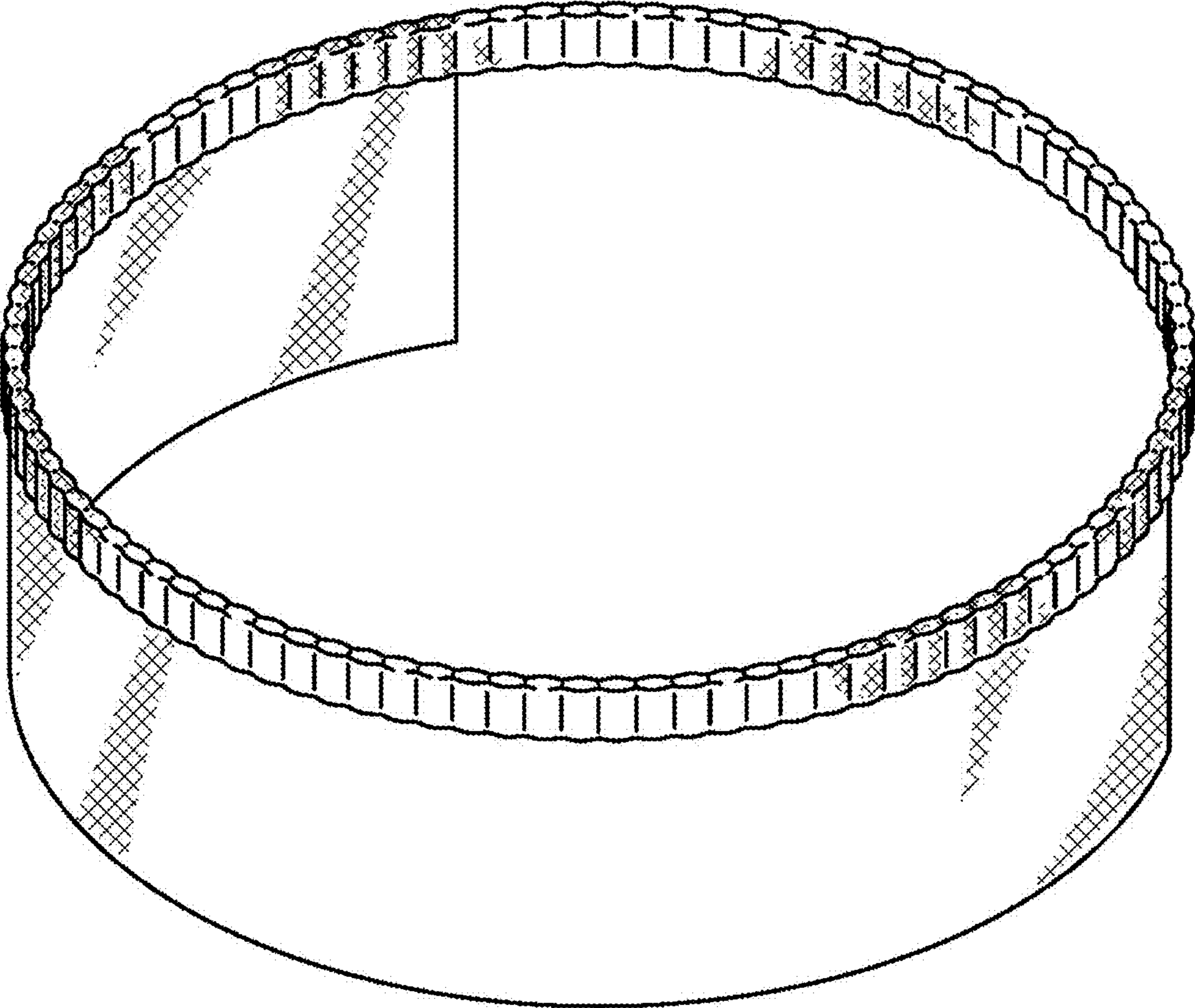


FIG. 7

FIG. 8

