



US00D904622S

(12) **United States Design Patent**
Kuester et al.

(10) **Patent No.:** **US D904,622 S**

(45) **Date of Patent:** **** Dec. 8, 2020**

(54) **FRONT PANEL OF MEDICAL TECHNICAL DEVICE**

(71) Applicant: **OLYMPUS WINTER & IBE GMBH**,
Hamburg (DE)

(72) Inventors: **Oliver Kuester**, Potsdam (DE); **Mario Arnold**, Berlin (DE); **Benjamin Holub**, Berlin (DE)

(**) Term: **15 Years**

(21) Appl. No.: **35/505,545**

(22) Filed: **Aug. 14, 2017**

(80) **Hague Agreement Data**

Int. Filing Date: **Aug. 14, 2017**

Int. Reg. No.: **DM/102350**

Int. Reg. Date: **Aug. 14, 2017**

Int. Reg. Pub. Date: **Aug. 24, 2018**

(51) **LOC (12) Cl.** **24-02**

(52) **U.S. Cl.**
USPC **D24/186**

(58) **Field of Classification Search**
USPC D24/107, 111, 160, 164, 165, 166, 167,
D24/168, 169, 185, 186, 187, 216;
D10/70, 75, 98, 81, 104; D14/336, 371,
D14/375, 381, 126; D13/162, 162.1, 163,
D13/164, 165, 166, 167, 168, 169, 170,
D13/171, 172

CPC . A61B 5/0002; A61B 5/02438; A61B 5/6898;
A61B 5/002; A61B 5/742; A61B 5/7425;
A61B 5/02405; A61B 5/02411; A61B
5/02427; A61B 5/0412

See application file for complete search history.

(56) **References Cited**

U.S. PATENT DOCUMENTS

D459,813 S *	7/2002	Ramsey, III	D14/336
D745,172 S *	12/2015	Marzynski	D24/186
D765,257 S *	8/2016	Marzynski	D24/186
D765,258 S *	8/2016	Marzynski	D24/186
D787,346 S *	5/2017	Rhein	D10/70
D788,312 S *	5/2017	Al-Ali	A61B 5/002
				D24/186
D794,207 S *	8/2017	Flanagan	D24/186
D800,318 S *	10/2017	Quam	D24/186
D806,881 S *	1/2018	Corrigan	D24/186

* cited by examiner

Primary Examiner — Samantha Q Lawrence

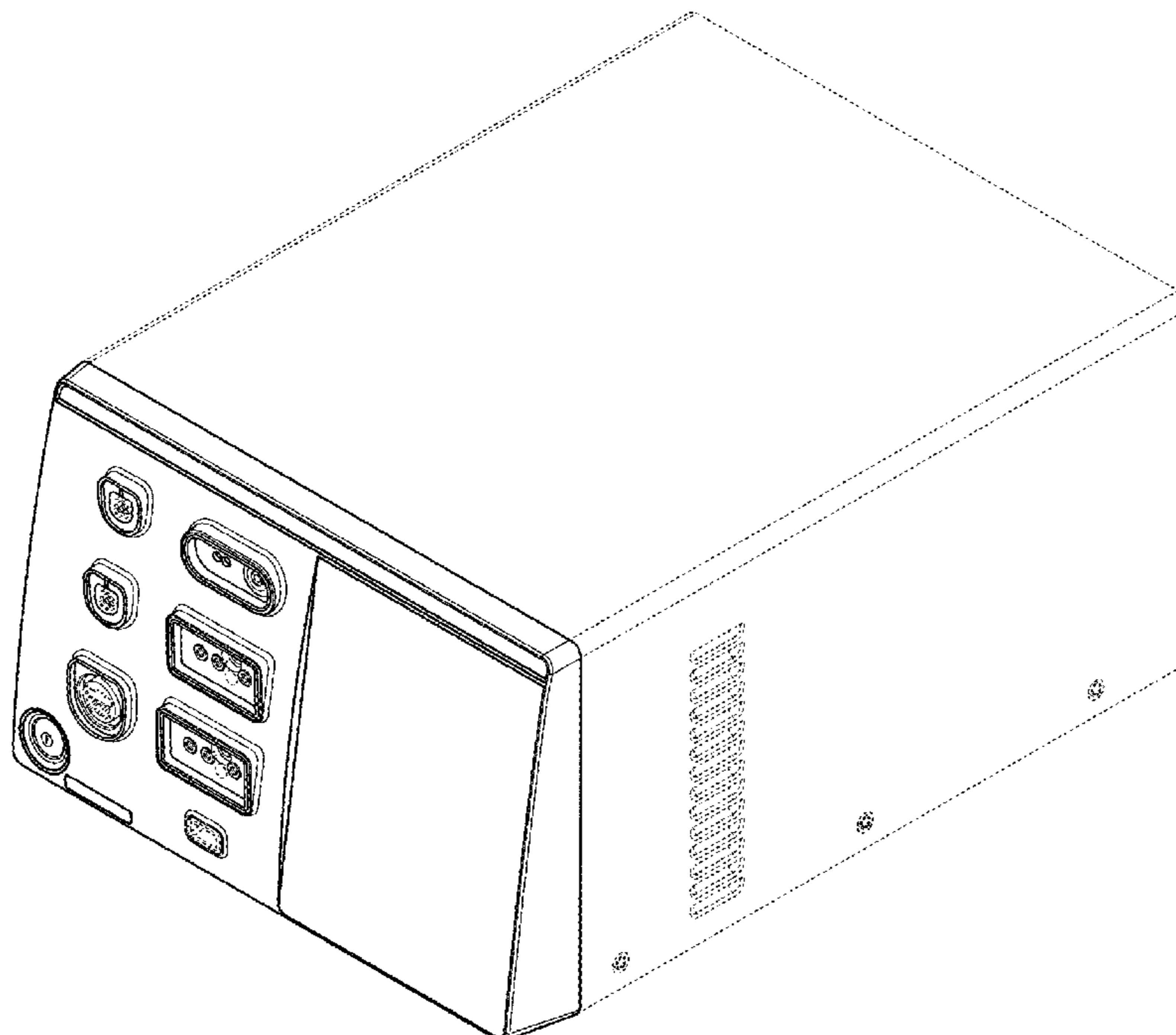
(57) **CLAIM**

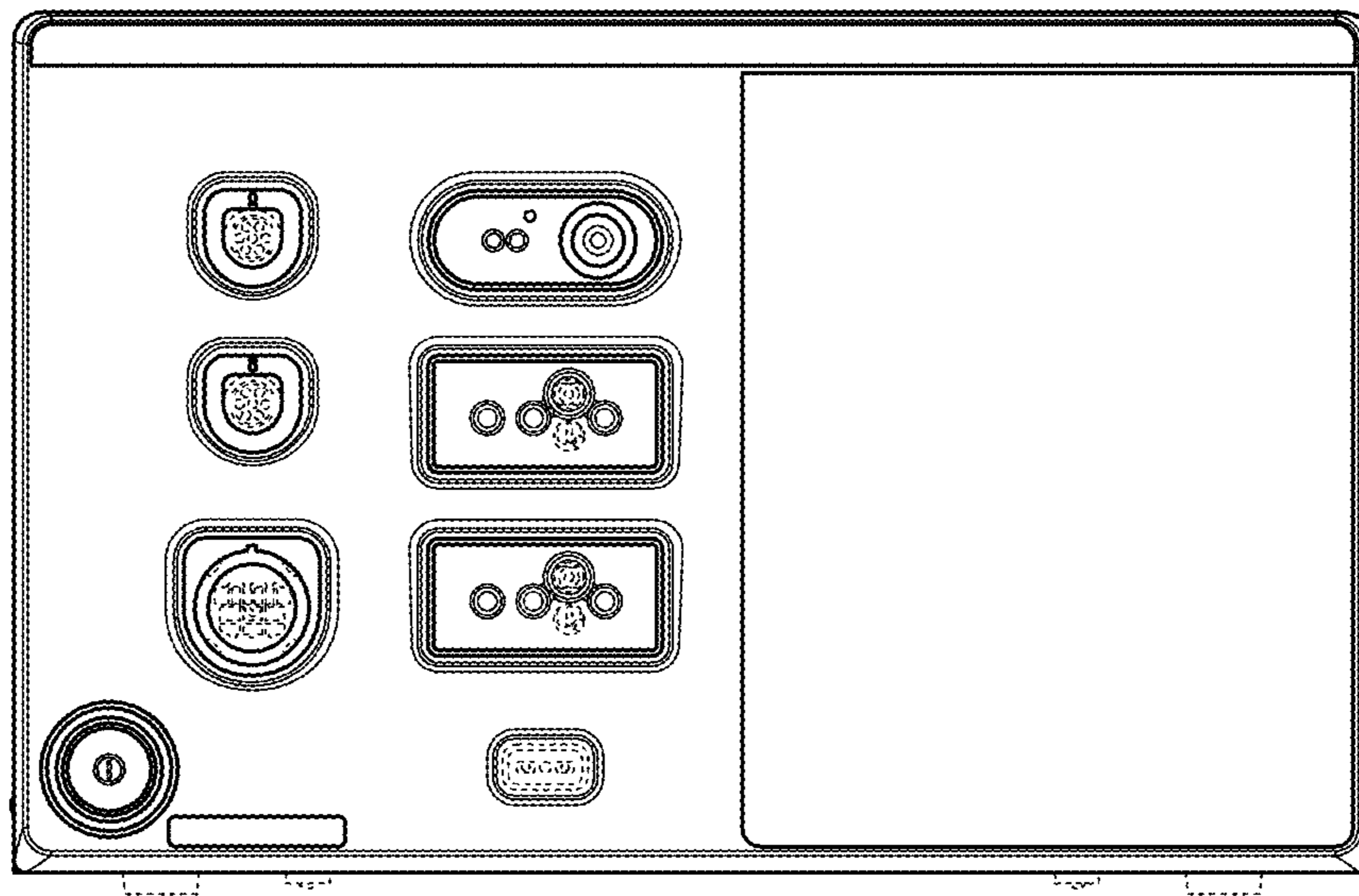
The ornamental design for a front panel of medical technical device, as shown and described.

DESCRIPTION

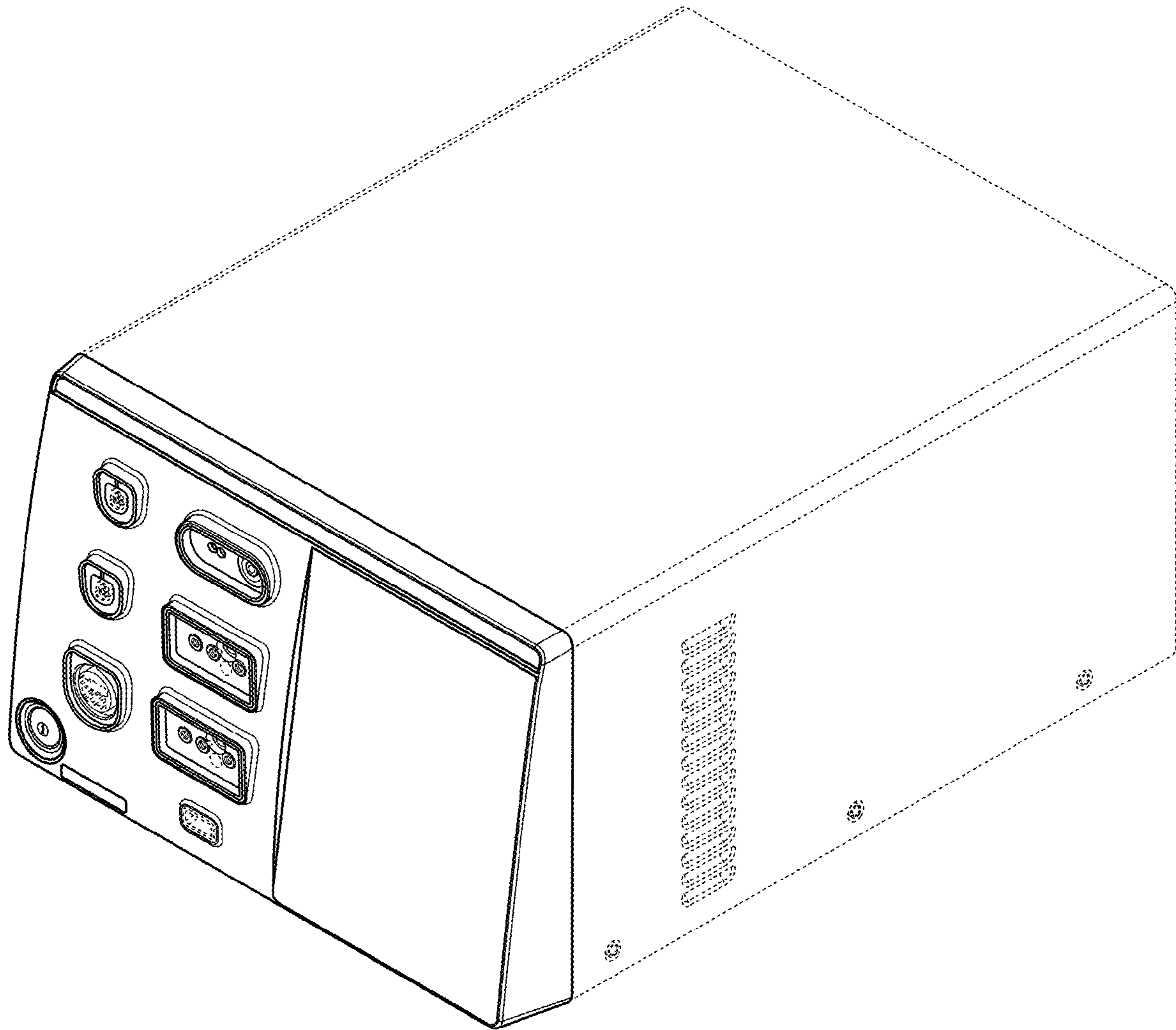
1. Front Panel of medical technical device
FIG. 1.1 is a front view;
FIG. 1.2 is a front right perspective view;
FIG. 1.3 is a left view;
FIG. 1.4 is a right view;
FIG. 1.5 is a top view;
FIG. 1.6 is a bottom view;
FIG. 1.7 is a rear view; and
FIG. 1.8 is an enlarged fragmentary view taken from FIG. 1.1 with some subject matter omitted for ease of illustration. The broken lines in the drawing represent unclaimed subject matter and form no part of the claimed design.

1 Claim, 8 Drawing Sheets

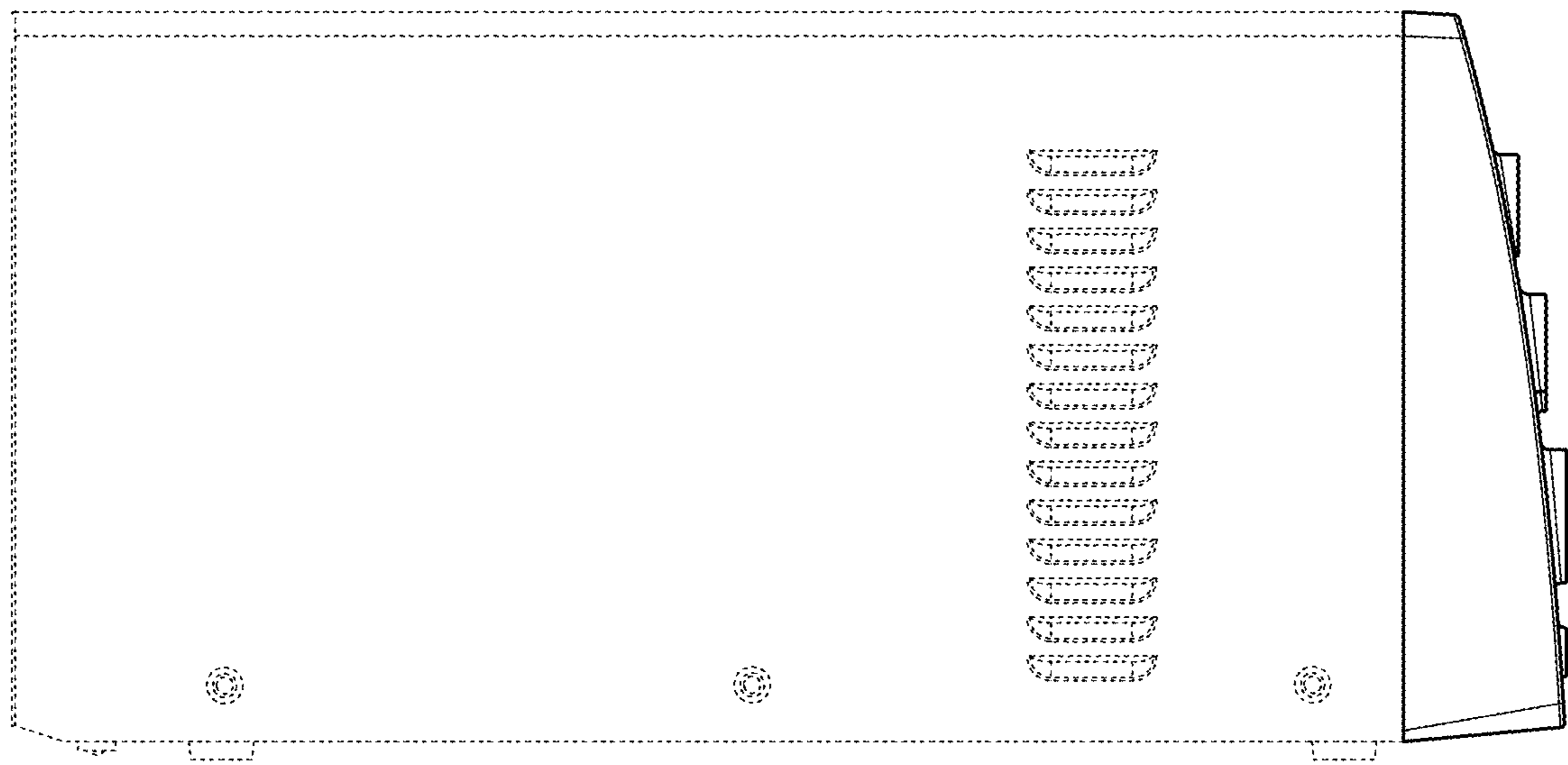




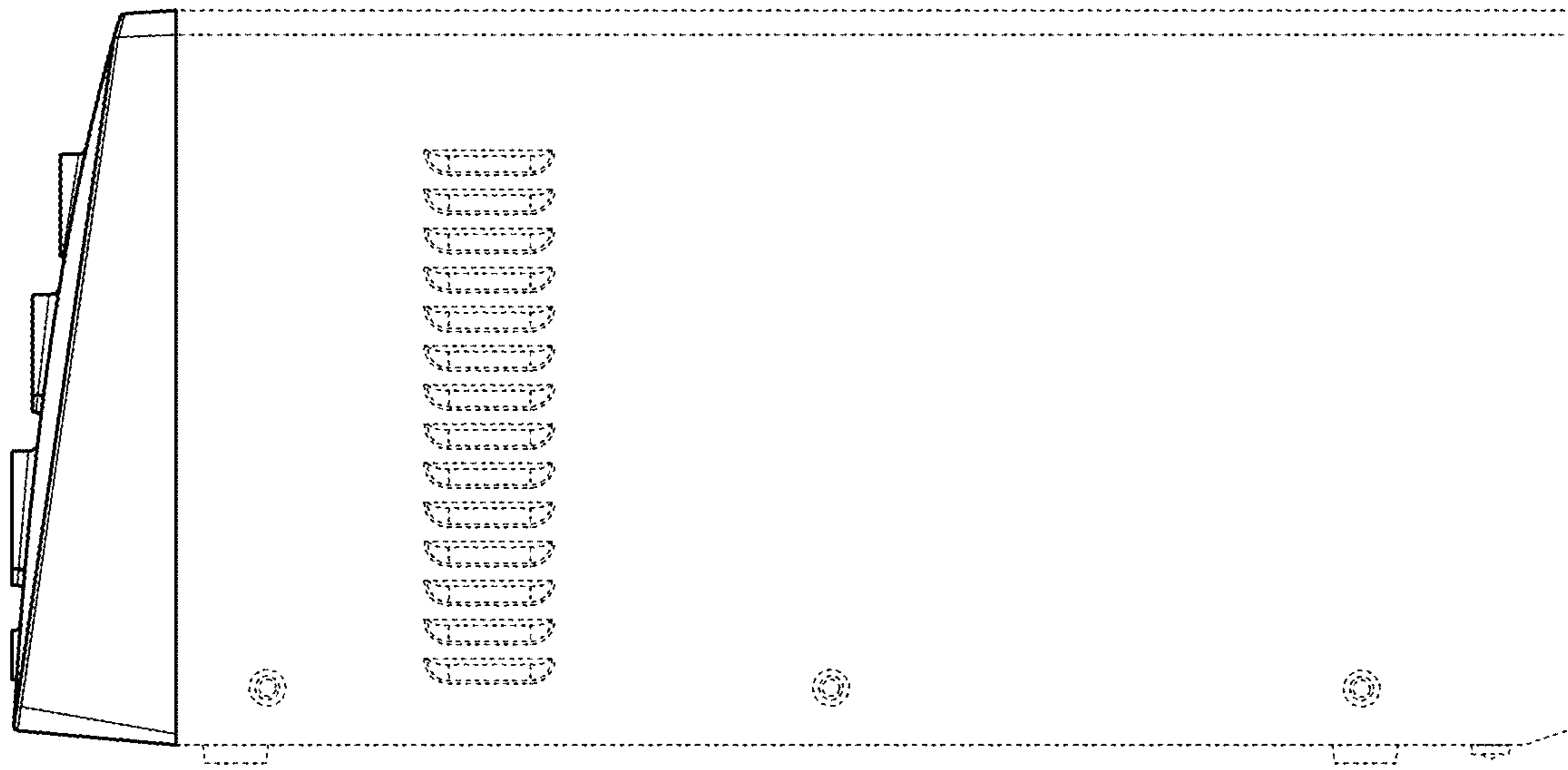
1.1



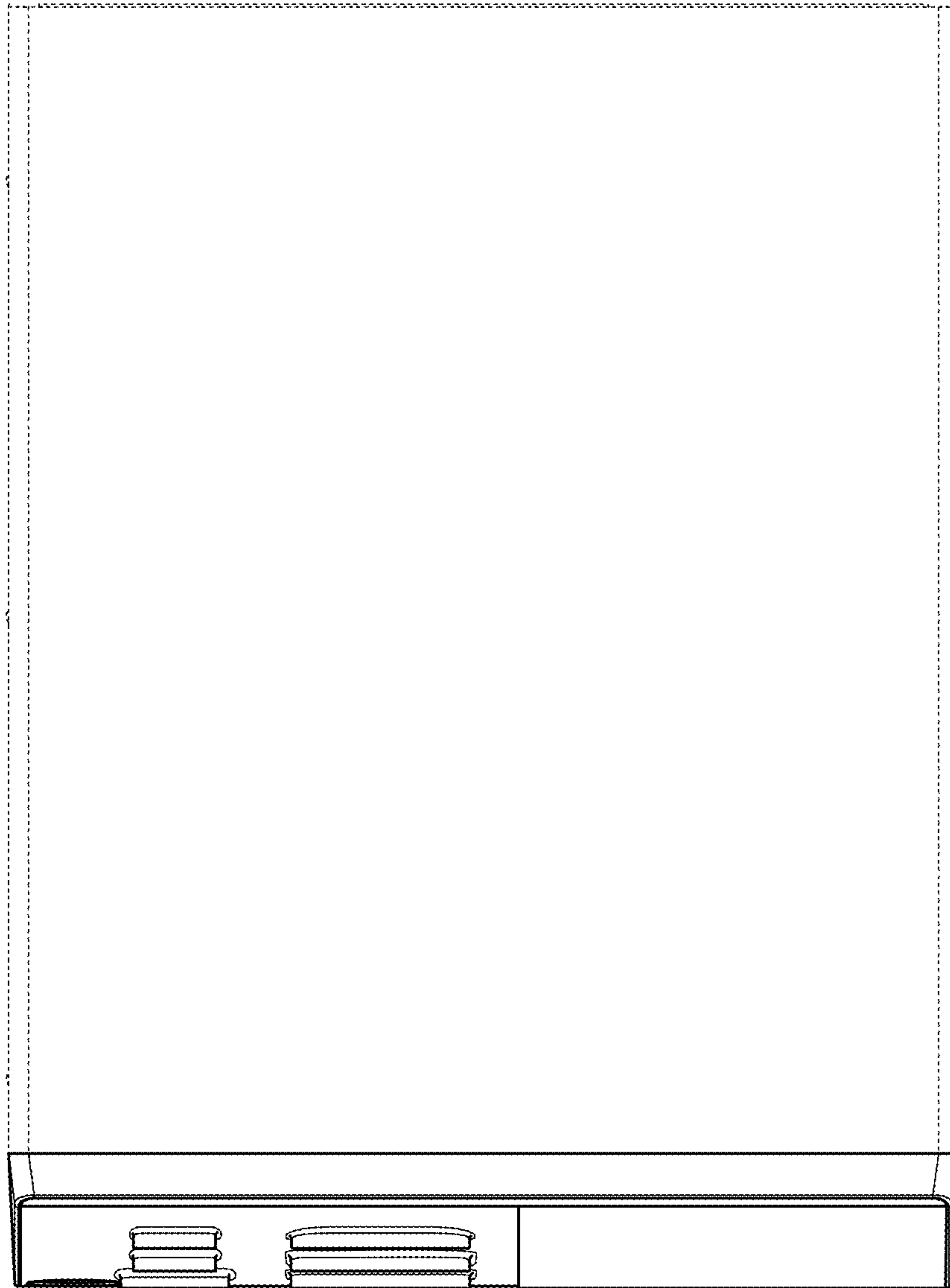
1.2



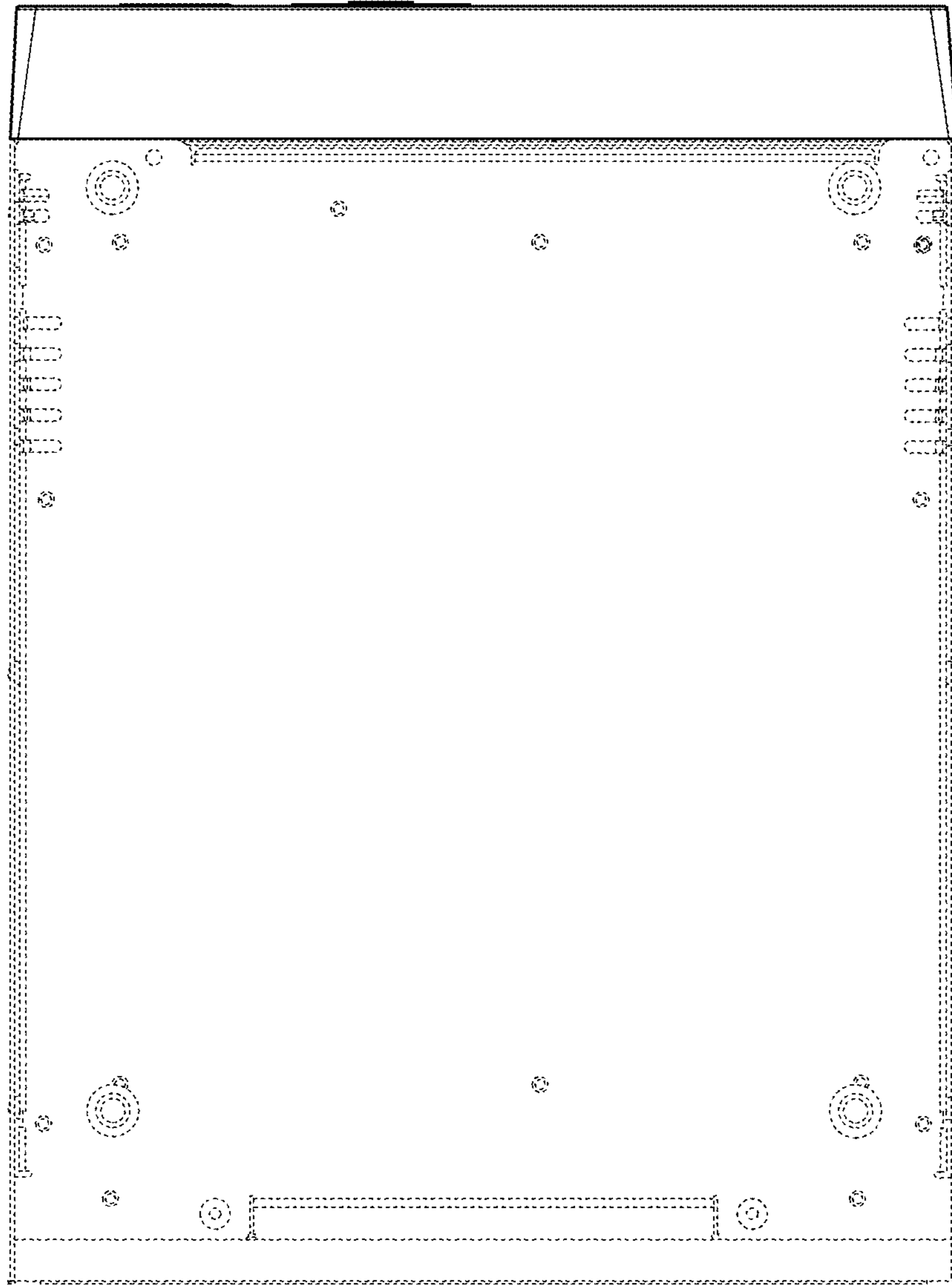
1.3



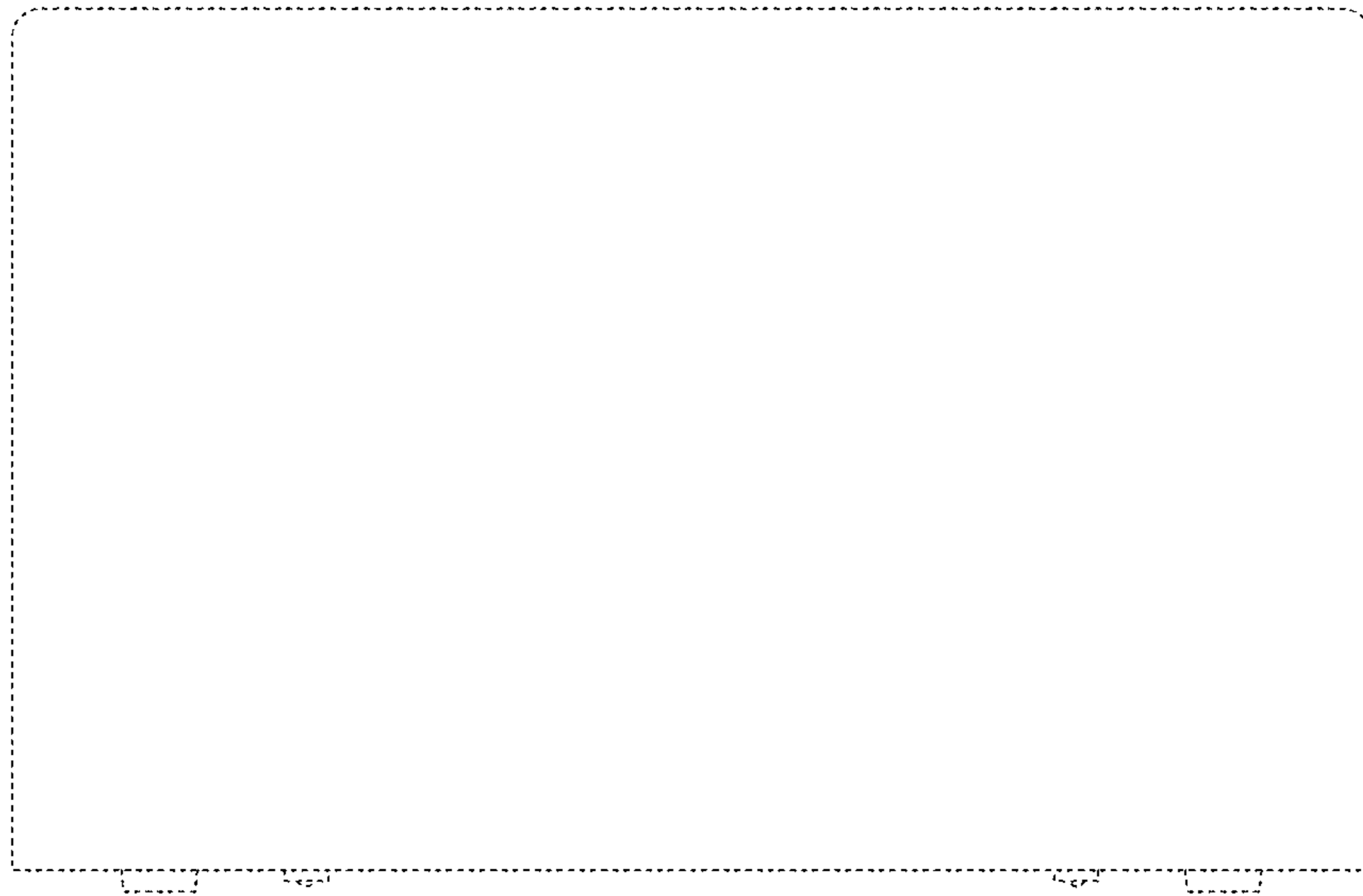
1.4



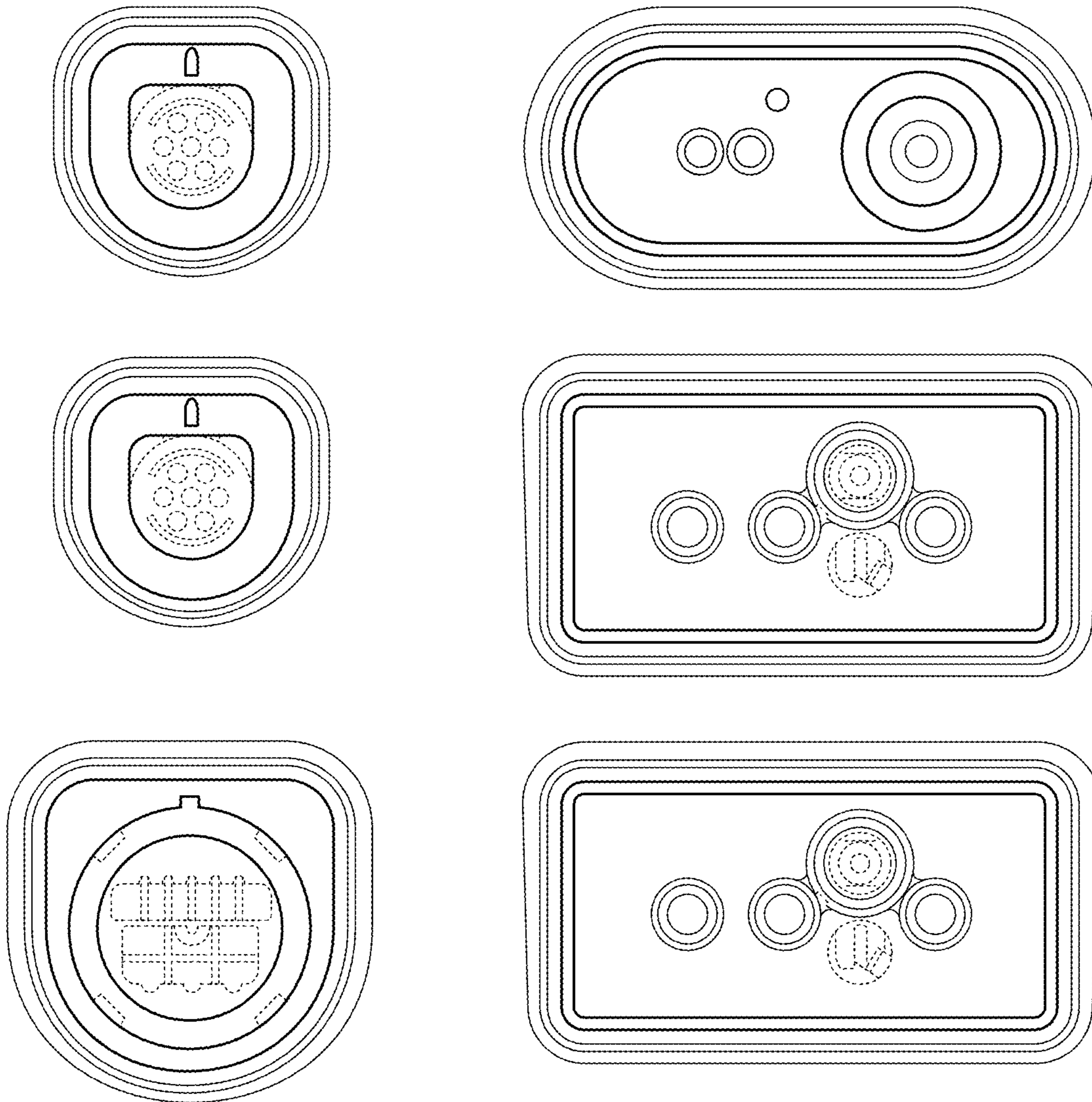
1.5



1.6



1.7



1.8