



US00D904621S

(12) **United States Design Patent**  
**Bould et al.**

(10) **Patent No.:** **US D904,621 S**

(45) **Date of Patent:** **\*\* Dec. 8, 2020**

(54) **MOUTHPIECE**

(71) Applicant: **Willo 32 SAS**, Limoges (FR)

(72) Inventors: **Fred Bould**, Menlo Park, CA (US);  
**Teddy Luong**, San Francisco, CA (US);  
**Kwan Hon Anson Cheung**, San Francisco, CA (US); **Alexandre Georges Gabriel Laurent**, Brooklyn, NY (US); **Jean-Raphaël Ouin**, Paris (FR); **Antoine Michel Jean Bodin**, Limoges (FR)

(73) Assignee: **Willo 32 SAS**, Limoges (FR)

(\*\*) Term: **15 Years**

(21) Appl. No.: **29/694,521**

(22) Filed: **Jun. 11, 2019**

(51) **LOC (12) Cl.** ..... **24-02**

(52) **U.S. Cl.**  
USPC ..... **D24/181**

(58) **Field of Classification Search**  
USPC ..... D24/176–178, 180–182; D29/108  
CPC ..... A61C 9/0006; A61C 7/08; A61C 7/36;  
A61C 19/063; A61F 5/566  
See application file for complete search history.

(56) **References Cited**

**U.S. PATENT DOCUMENTS**

4,776,792	A *	10/1988	Wagner	.....	A61C 9/0006	433/37
D593,714	S *	6/2009	Hirshberg	.....	D29/108	
D603,101	S *	10/2009	Hirshberg	.....	D29/108	
D636,074	S *	4/2011	Levine	.....	D24/181	
D765,255	S *	8/2016	Levine	.....	D24/181	
D845,489	S *	4/2019	Pierson	.....	D24/181	
D862,705	S *	10/2019	Chen	.....	D24/181	

D888,961	S *	6/2020	Levine	.....	D24/181	
2004/0038172	A1 *	2/2004	Jacobs	.....	A61C 9/0006	433/37
2004/0038183	A1 *	2/2004	Jacobs	.....	A61C 19/066	433/215
2006/0183080	A1 *	8/2006	Nosov	.....	A61C 9/0006	433/215
2007/0048687	A1 *	3/2007	Jensen	.....	A61C 9/0006	433/37

**OTHER PUBLICATIONS**

SeaCure Custom Mouthpiece. Retrieved on Jul. 20, 2020. Retrieved from the Internet: <https://seacuremouthpiece.com>.\*

\* cited by examiner

*Primary Examiner* — Wan Laymon

(74) *Attorney, Agent, or Firm* — Daylight Law, P.C.

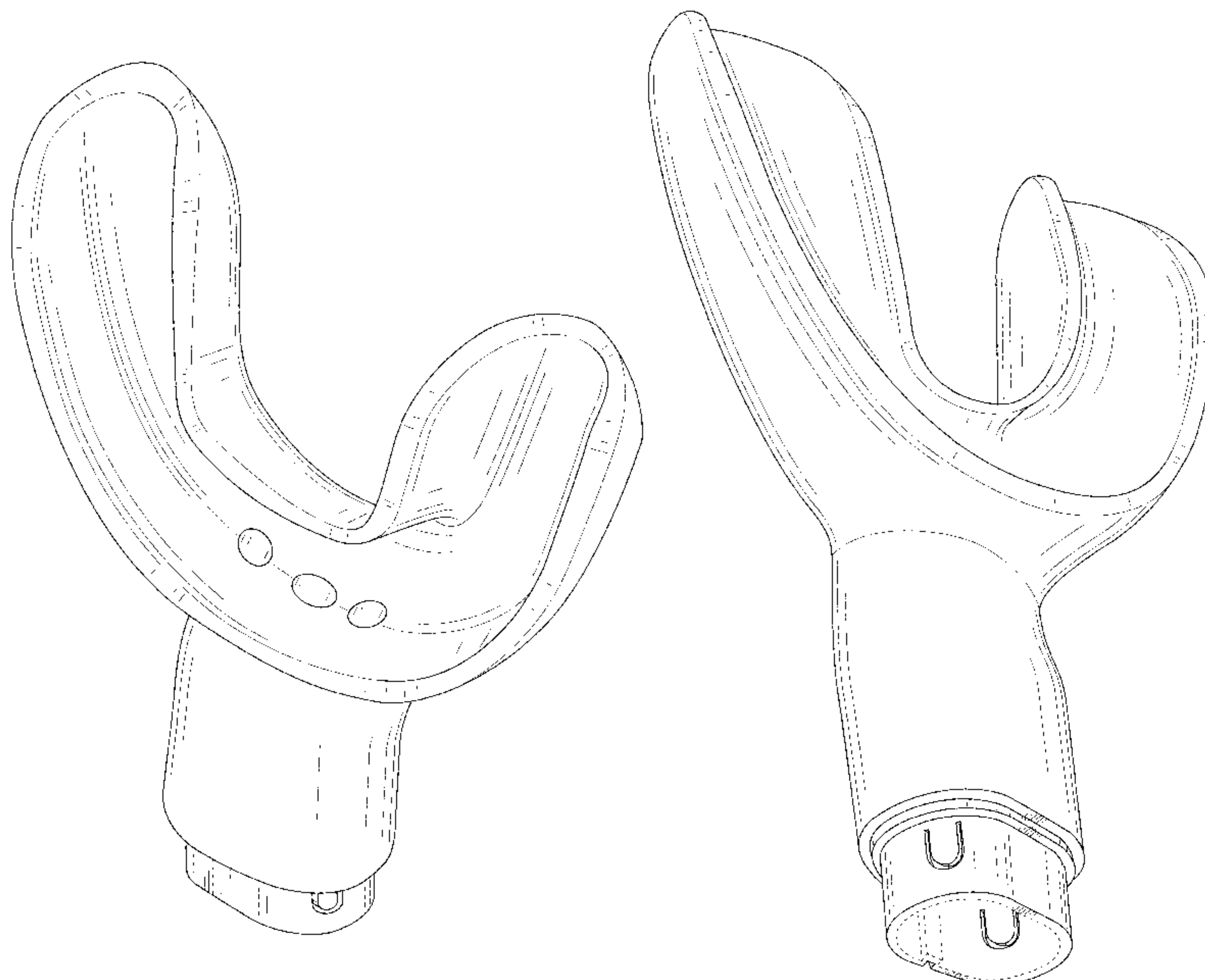
(57) **CLAIM**

The ornamental design for a mouthpiece, as shown and described.

**DESCRIPTION**

FIG. 1 is a top-right perspective view of a mouthpiece showing our new design; FIG. 2 is a top-right-back view thereof; FIG. 3 is a bottom-left view thereof; FIG. 4 is a front view thereof; FIG. 5 is a back view thereof; FIG. 6 is a right-side view thereof; FIG. 7 is a left-side view thereof; FIG. 8 is a top view thereof; and, FIG. 9 is a bottom view thereof. The broken lines in FIGS. 3 and 9 depict portions of the mouthpiece that form no part of the claimed design.

**1 Claim, 7 Drawing Sheets**



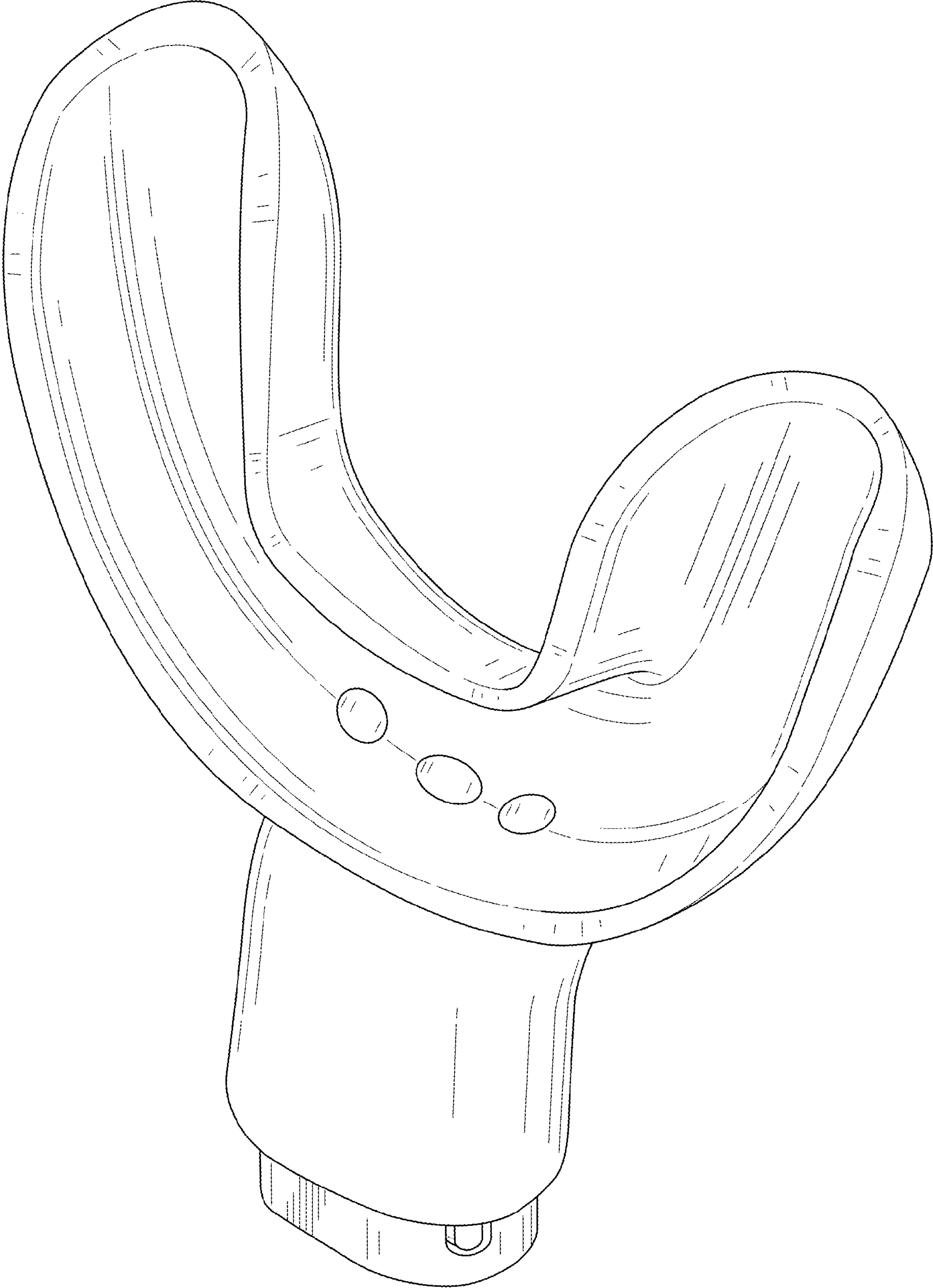


FIG. 1

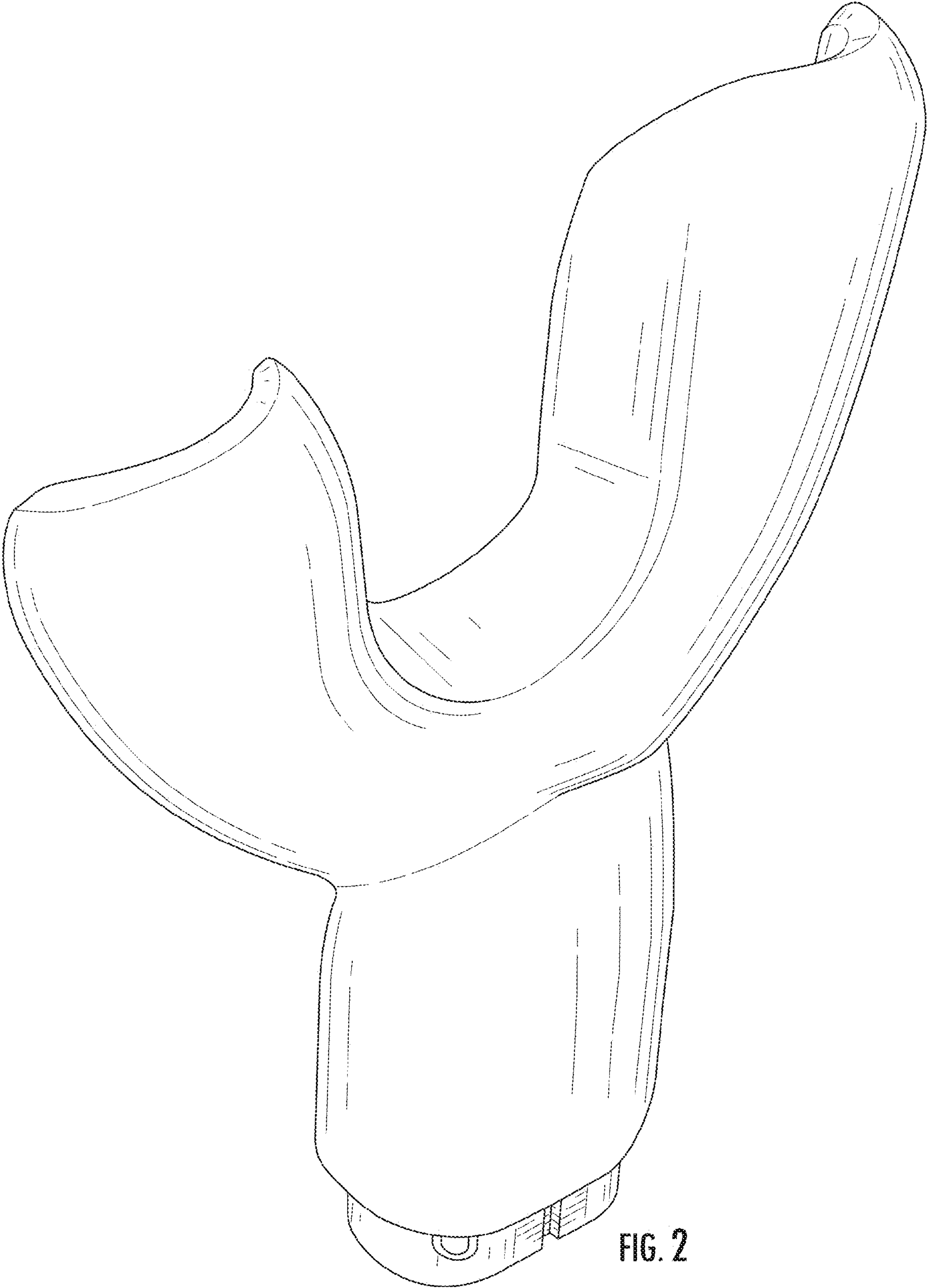


FIG. 2

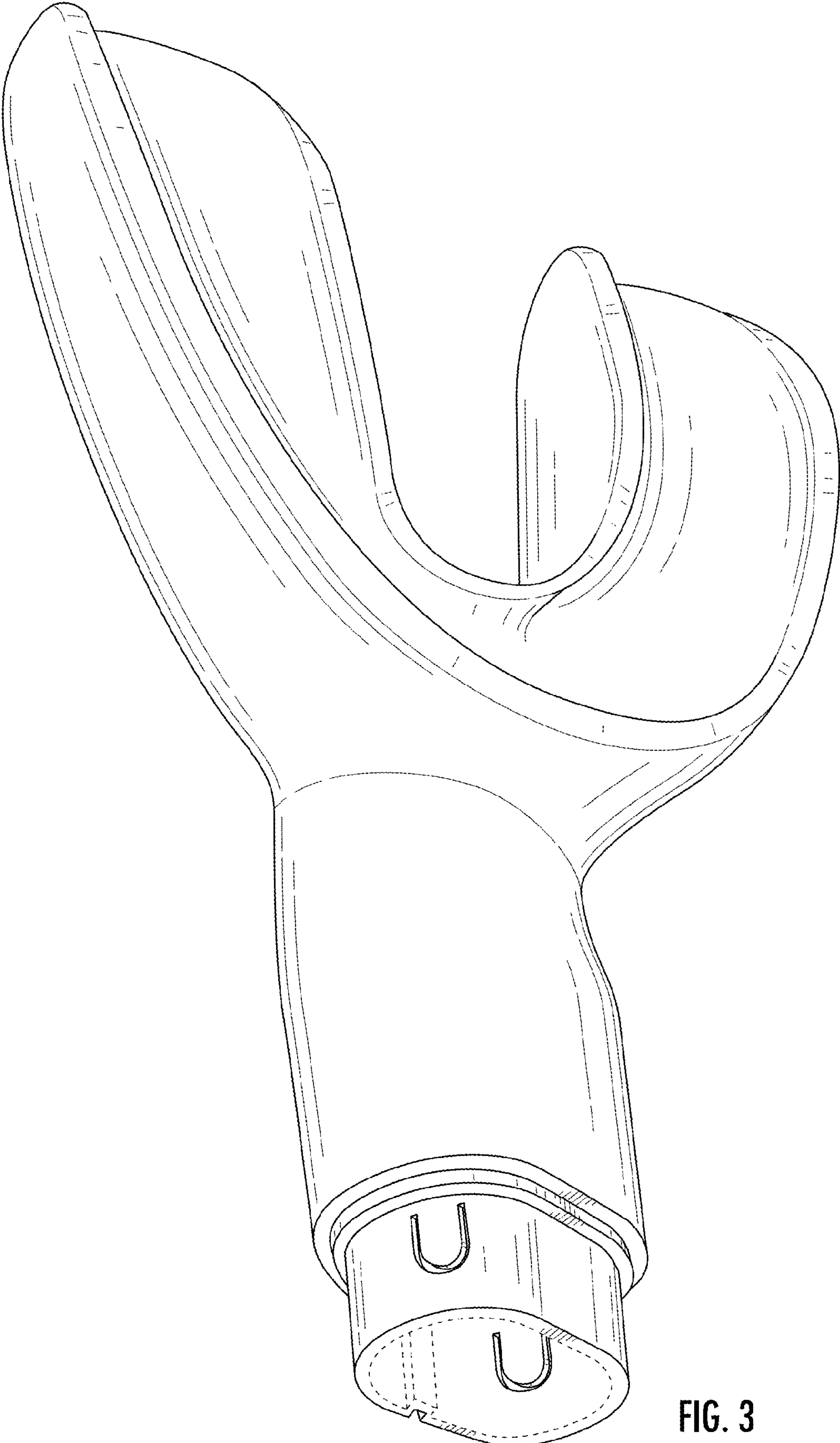


FIG. 3



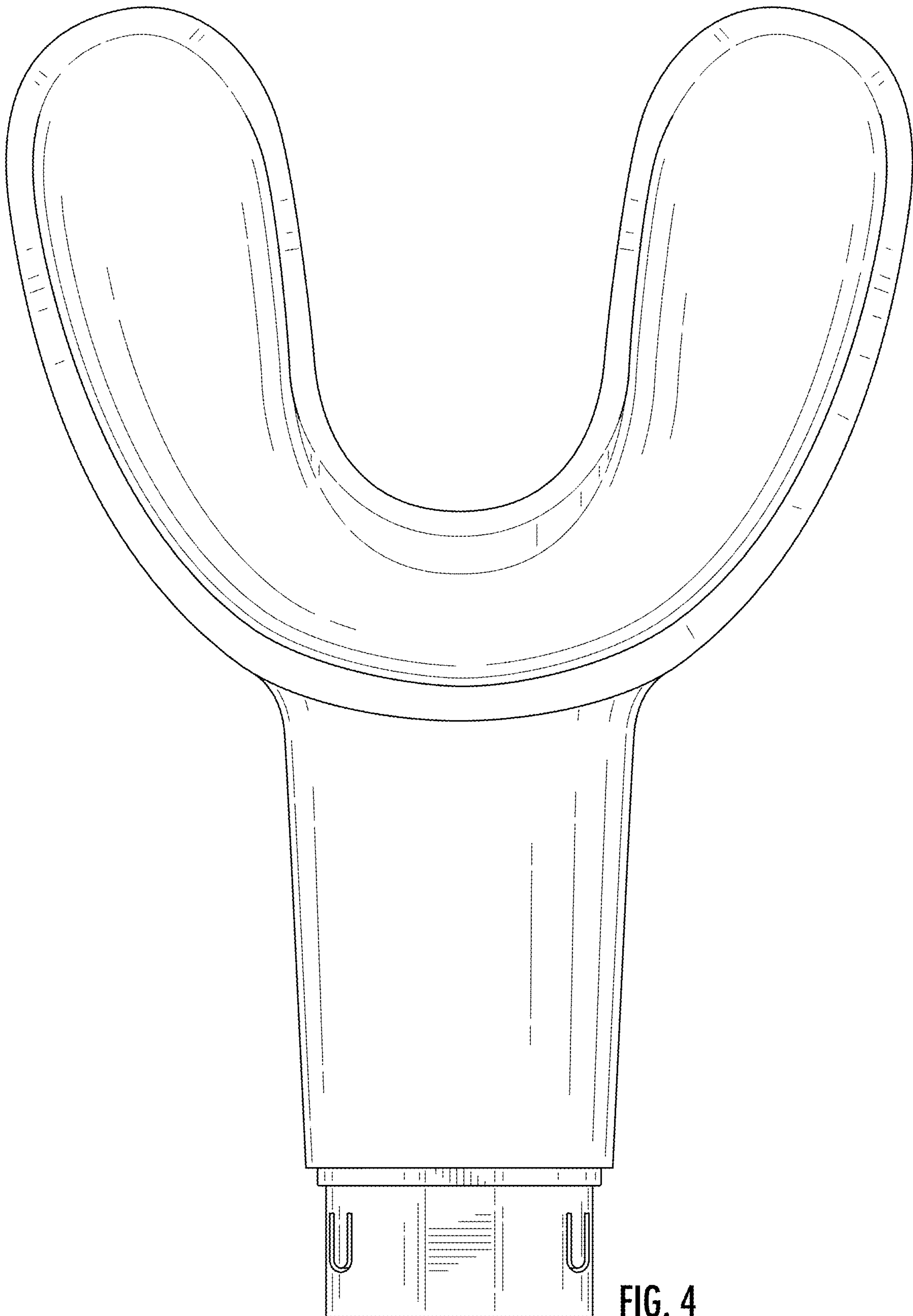


FIG. 4

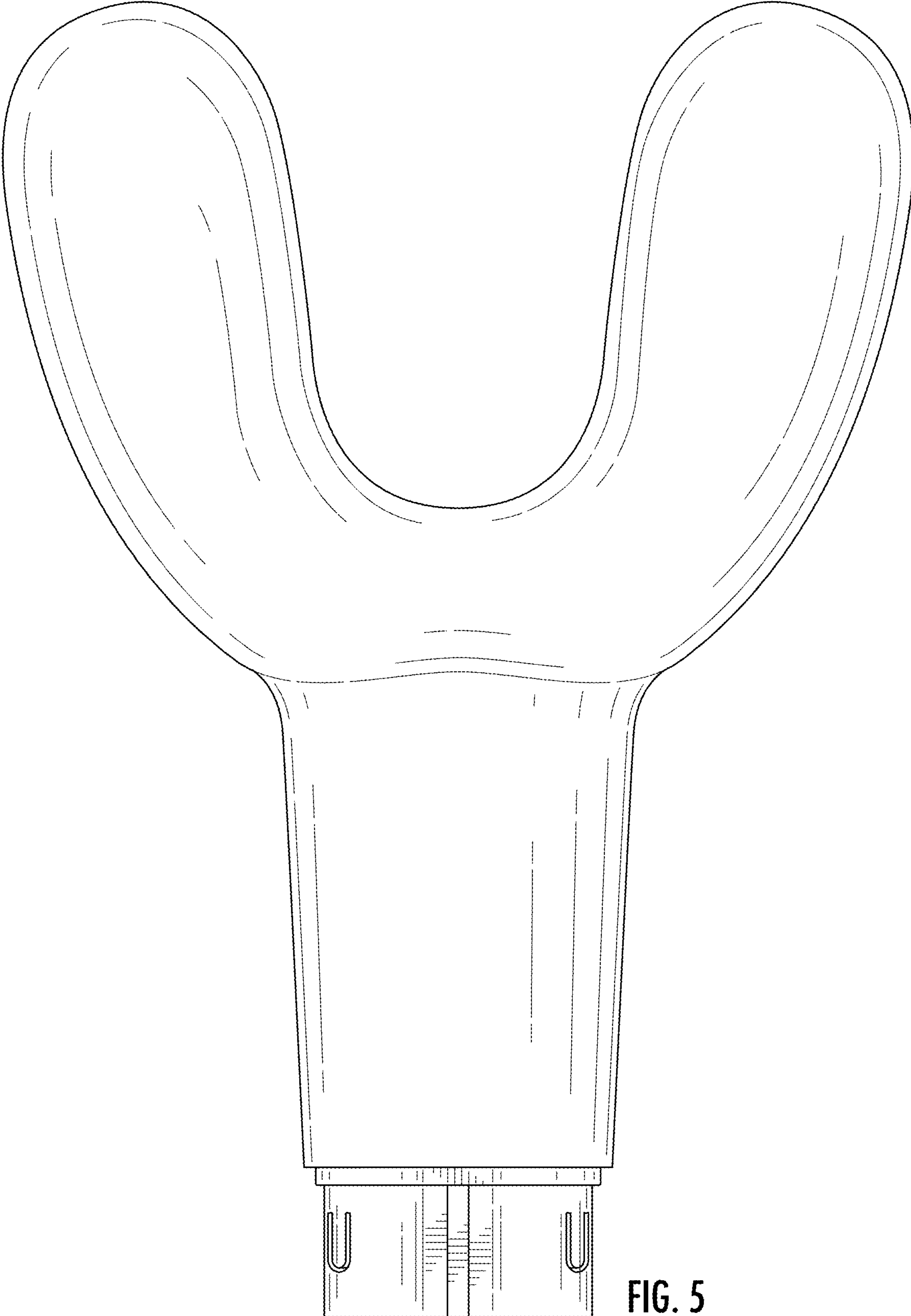


FIG. 5

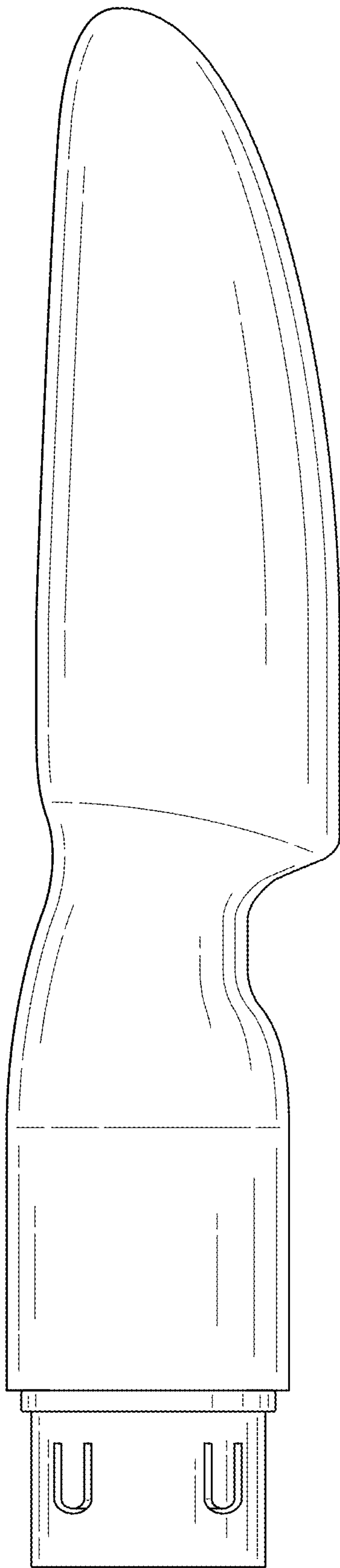


FIG. 6

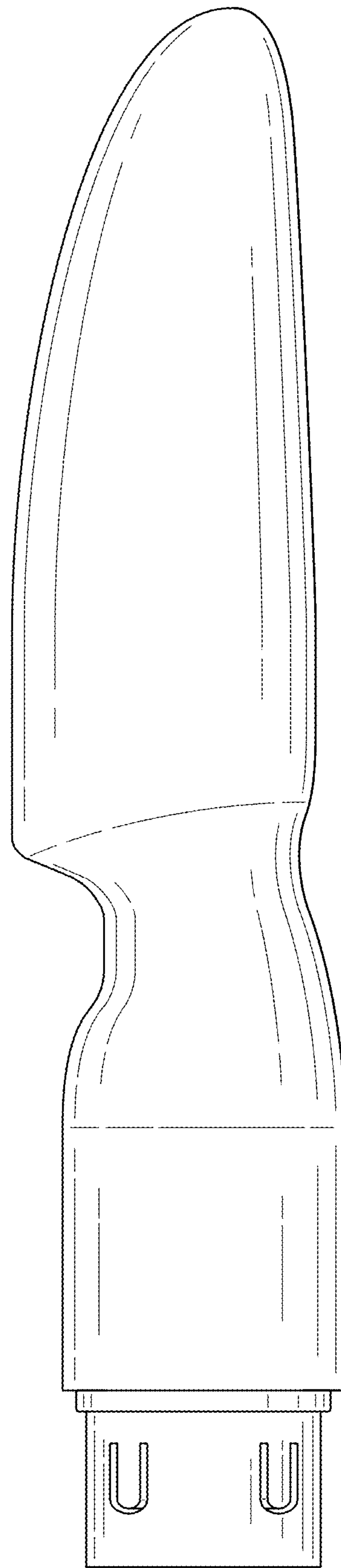


FIG. 7

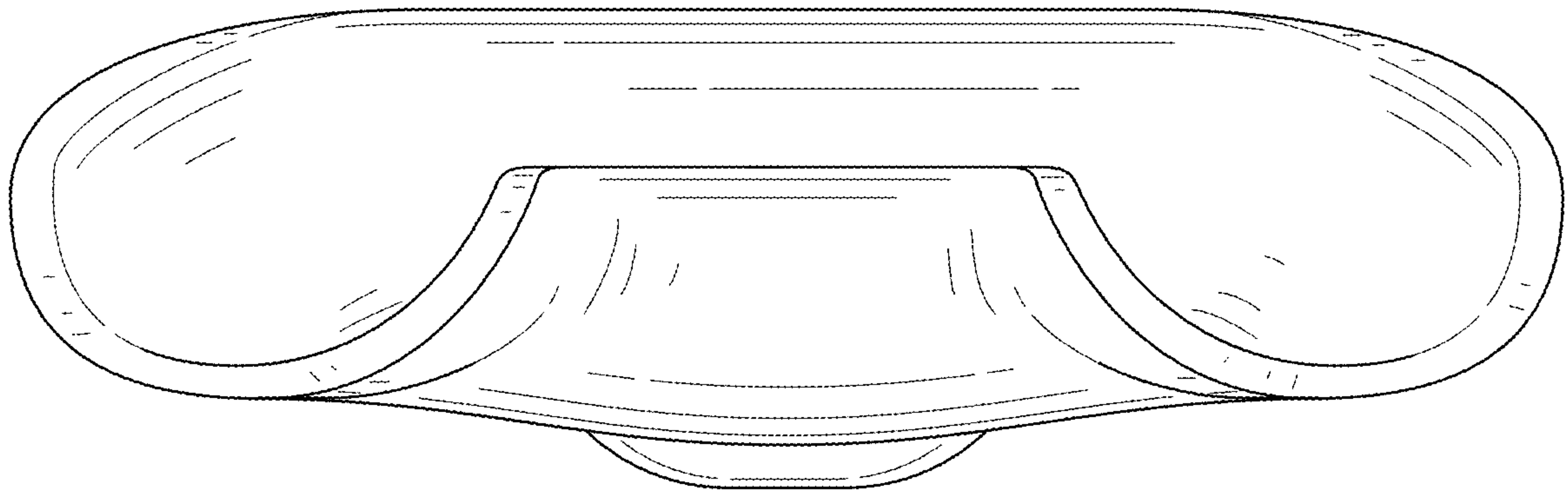


FIG. 8

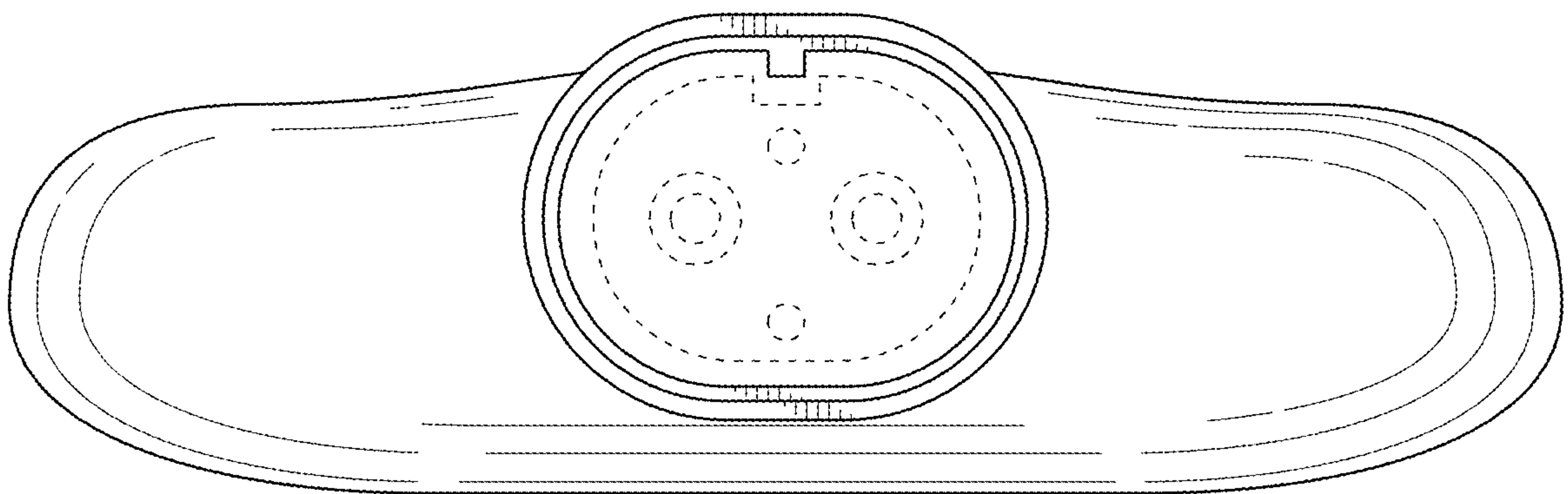


FIG. 9