



US00D904620S

(12) **United States Design Patent**  
**Farrell**

(10) **Patent No.:** **US D904,620 S**

(45) **Date of Patent:** **\*\* Dec. 8, 2020**

(54) **ORAL APPLIANCE**

(71) Applicant: **Christopher John Farrell**, Helensvale (AU)

(72) Inventor: **Christopher John Farrell**, Helensvale (AU)

(\*\*) Term: **15 Years**

(21) Appl. No.: **29/670,993**

(22) Filed: **Nov. 21, 2018**

(30) **Foreign Application Priority Data**

May 25, 2018 (AU) ..... 201813151

(51) **LOC (12) Cl.** ..... **24-02**

(52) **U.S. Cl.**  
USPC ..... **D24/181; D24/180**

(58) **Field of Classification Search**

USPC ..... D24/180, 181, 194, 176, 177, 178, 179,  
D24/182, 110, 110.1-110.6, 127, 108;  
D29/108, 122, 128

CPC ..... A61F 5/566; A61F 2005/563; A61H  
2001/0207; A63B 71/085; A63B  
2071/086; A63B 71/0054; A61C 7/08;  
A61C 7/36; A61C 7/143; A61C 7/148;  
A61C 19/05

See application file for complete search history.

(56) **References Cited**

**U.S. PATENT DOCUMENTS**

- 3,079,916 A \* 3/1963 Marsden ..... A61M 16/0048  
128/202.28
- 3,303,845 A \* 2/1967 Detmer, III ..... A61M 16/0048  
128/202.28
- 3,457,916 A \* 7/1969 Wolicki ..... A63B 71/085  
128/862
- 4,179,811 A \* 12/1979 Hinz ..... A61C 7/00  
433/6

- 4,235,594 A \* 11/1980 Schwartz ..... A61C 9/00  
433/213
- D263,166 S \* 2/1982 Bushman ..... D24/110
- D265,586 S \* 7/1982 Sloan ..... D24/122
- D283,158 S \* 3/1986 Jackson ..... 128/207.14

(Continued)

**FOREIGN PATENT DOCUMENTS**

- WO 2012155214 A1 11/2012
- WO 2015149127 A1 10/2015

(Continued)

*Primary Examiner* — T Chase Nelson

*Assistant Examiner* — Kelly L Gross

(74) *Attorney, Agent, or Firm* — Lerner, David,  
Littenberg, Krumholz & Mentlik, LLP

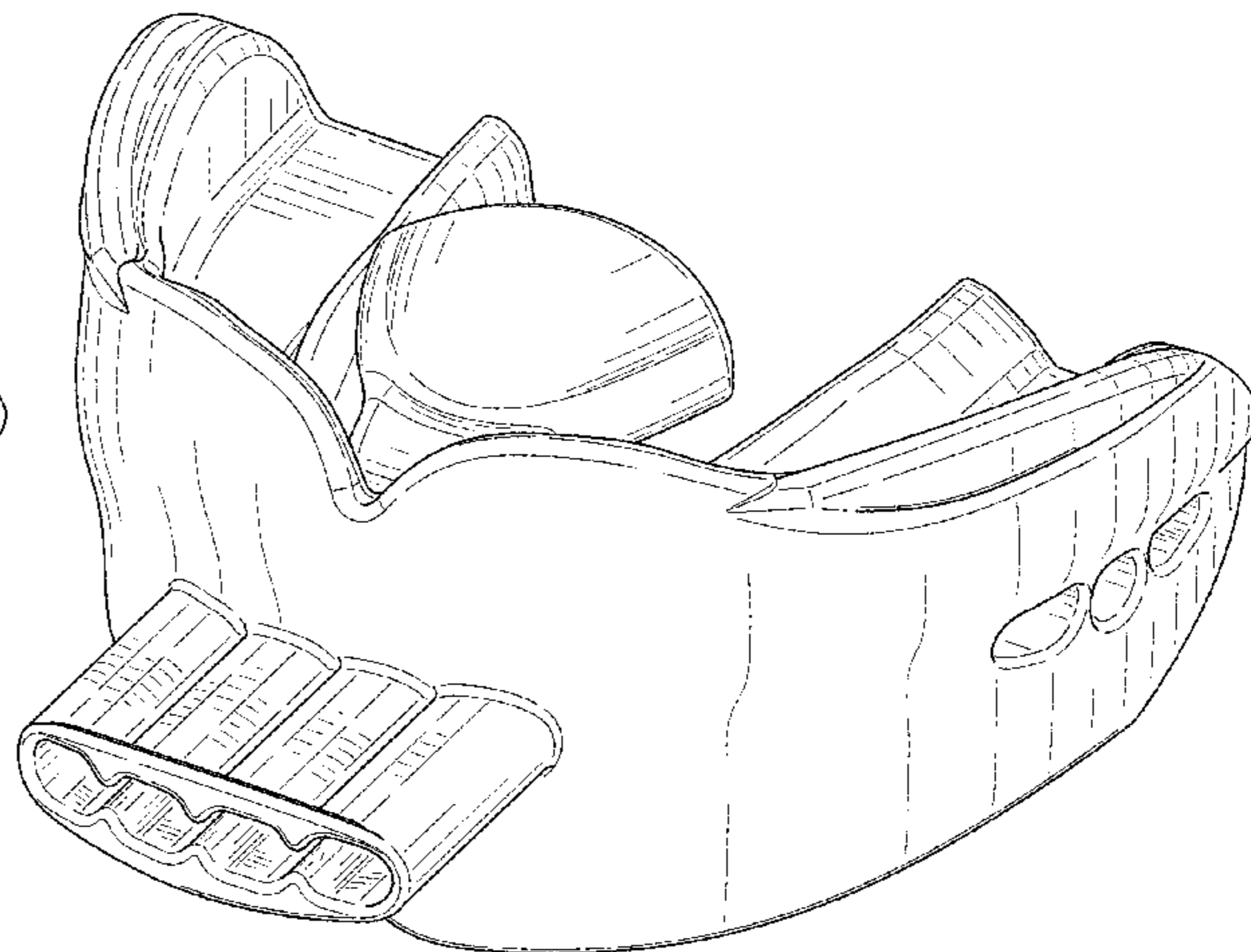
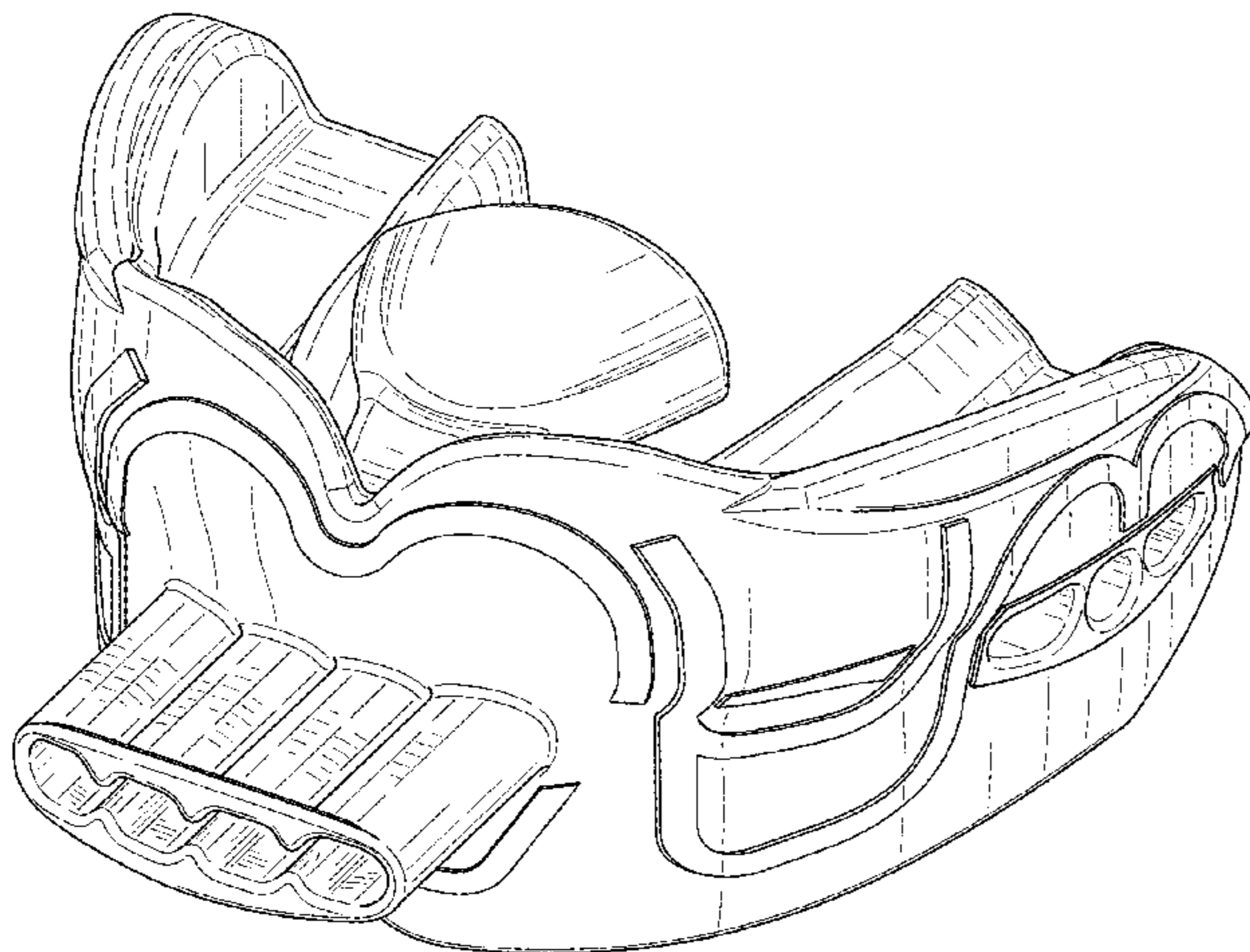
(57) **CLAIM**

The ornamental design for an oral appliance, as shown and described.

**DESCRIPTION**

FIG. 1 is a front perspective view of an oral appliance according to a first embodiment of my new design;  
 FIG. 2 is a rear perspective view thereof;  
 FIG. 3 is a front elevation view thereof;  
 FIG. 4 is a rear elevation view thereof;  
 FIG. 5 is a left side elevation view thereof, the right side elevation view being a mirror image thereof;  
 FIG. 6 is a top plan view thereof;  
 FIG. 7 is a bottom plan view thereof;  
 FIG. 8 is a front perspective view of an oral appliance according to a second embodiment of my new design;  
 FIG. 9 is a rear perspective view thereof;  
 FIG. 10 is a front elevation view thereof;  
 FIG. 11 is a rear elevation view thereof;  
 FIG. 12 is a left side elevation view thereof, the right side elevation view being a mirror image thereof;  
 FIG. 13 is a top plan view thereof; and,  
 FIG. 14 is a bottom plan view thereof.

**1 Claim, 12 Drawing Sheets**





(56)

References Cited

U.S. PATENT DOCUMENTS

4,695,417 A \* 9/1987 Hall ..... A61C 7/08  
264/16  
4,715,368 A \* 12/1987 George ..... A61F 5/566  
128/859  
D295,797 S \* 5/1988 Bono ..... D24/110.5  
D301,618 S \* 6/1989 Barros ..... D24/110  
D302,036 S \* 7/1989 George ..... D24/110  
D303,440 S \* 9/1989 Campbell ..... D24/110.5  
D311,607 S \* 10/1990 Howells ..... D24/110  
RE33,442 E \* 11/1990 George ..... A61M 16/0493  
128/860  
4,986,751 A \* 1/1991 Bergersen ..... A61C 7/08  
433/6  
5,028,231 A \* 7/1991 Hall ..... A61C 7/08  
264/16  
5,031,611 A \* 7/1991 Moles ..... B63C 11/186  
128/201.11  
5,062,422 A \* 11/1991 Kinkade ..... B63C 11/186  
128/200.26  
5,092,346 A 3/1992 Hays et al.  
5,117,816 A \* 6/1992 Shapiro ..... A61F 5/566  
128/200.24  
D329,901 S \* 9/1992 Jackson ..... D24/176  
5,305,741 A \* 4/1994 Moles ..... B63C 11/186  
128/201.11  
5,353,810 A \* 10/1994 Kittelsen ..... A63B 71/085  
128/859  
5,462,066 A \* 10/1995 Snyder ..... A61F 5/566  
128/848  
5,792,067 A 8/1998 Karell  
D399,950 S \* 10/1998 Shepard ..... D24/110.5  
D406,647 S \* 3/1999 Wagner ..... D24/181  
6,405,729 B1 \* 6/2002 Thornton ..... A61F 5/566  
128/206.29  
D461,240 S \* 8/2002 Dort ..... D24/105  
D479,876 S \* 9/2003 Gradon ..... D24/110  
D504,947 S \* 5/2005 McAuley ..... D24/110  
D528,655 S \* 9/2006 Clawson ..... D24/110  
D536,441 S \* 2/2007 Garren ..... D24/110  
D538,926 S \* 3/2007 Jeong ..... D24/110  
D542,408 S \* 5/2007 Oldenburg ..... D24/110.5  
D595,413 S \* 6/2009 Farrell ..... D24/181  
D605,285 S \* 12/2009 Garren ..... D24/110  
D609,347 S \* 2/2010 Farrell ..... A61C 7/08  
D24/180  
D609,348 S \* 2/2010 Farrell ..... A61F 5/566  
D24/181  
D615,187 S \* 5/2010 Bowden ..... D24/110  
D615,709 S \* 5/2010 Manzo ..... D29/108  
D618,399 S \* 6/2010 Manzo ..... D29/108  
D626,292 S \* 10/2010 Farrell ..... D29/108  
D627,107 S \* 11/2010 Manzo ..... D29/108  
D629,909 S \* 12/2010 Chiu ..... D24/181  
D630,382 S \* 1/2011 Manzo ..... D29/108  
D634,480 S \* 3/2011 Manzo ..... D29/108  
D636,074 S \* 4/2011 Levine ..... D24/110.5  
D642,277 S \* 7/2011 Farrell ..... D24/181  
D648,900 S \* 11/2011 Manzo ..... D29/108  
D650,066 S \* 12/2011 Boyd ..... D24/110.5  
D652,575 S \* 1/2012 Farrell ..... D29/108  
D652,576 S \* 1/2012 Farrell ..... D29/108  
D654,173 S \* 2/2012 Farrell ..... D24/181  
D654,595 S \* 2/2012 Farrell ..... D24/181  
D662,586 S \* 6/2012 Coath ..... D24/110  
D683,030 S \* 5/2013 Croll ..... D24/181  
D683,446 S \* 5/2013 Eves ..... D24/110.4  
8,448,282 B2 \* 5/2013 Stapelbroek ..... A61C 7/08  
15/167.2  
D695,889 S \* 12/2013 Bruggeman ..... D24/110.5  
D717,447 S \* 11/2014 Farrell ..... D24/181  
D717,449 S \* 11/2014 Farrell ..... D24/181  
D717,450 S \* 11/2014 Farrell ..... D24/181  
D727,570 S \* 4/2015 Brett ..... D29/108

9,005,120 B2 \* 4/2015 Ryan ..... A61B 5/682  
600/301  
D734,556 S \* 7/2015 Brett ..... D24/181  
D753,817 S \* 4/2016 Maguire ..... D24/110.5  
D760,889 S \* 7/2016 Evans ..... D24/110.5  
D765,255 S \* 8/2016 Levine ..... D24/181  
D765,919 S \* 9/2016 Croll ..... D29/108  
D767,146 S \* 9/2016 Farrell ..... D24/181  
D782,743 S \* 3/2017 Engel ..... D29/108  
9,630,082 B2 \* 4/2017 Zents ..... A63B 71/085  
D795,501 S \* 8/2017 Levine ..... D29/108  
9,717,975 B2 \* 8/2017 Evans ..... A63B 71/085  
D799,049 S \* 10/2017 Farrell ..... D24/181  
D800,315 S \* 10/2017 Crowley ..... D24/176  
D800,317 S \* 10/2017 Farrell ..... D24/181  
9,848,959 B2 \* 12/2017 Lowe ..... A61C 17/005  
D815,291 S \* 4/2018 Farrell ..... D24/181  
D816,210 S \* 4/2018 Gerschman ..... D24/110.5  
D833,622 S \* 11/2018 Farrell ..... D24/181  
D836,204 S \* 12/2018 Montgomery ..... D24/181  
10,149,782 B2 \* 12/2018 Chen ..... A61M 16/0493  
D838,839 S \* 1/2019 Fujiwara ..... D24/110.5  
D839,485 S \* 1/2019 Turkbaz ..... D29/108  
D841,257 S \* 2/2019 Turkbaz ..... D29/108  
D841,818 S \* 2/2019 Farrell ..... D24/181  
D842,999 S \* 3/2019 Fleury ..... D24/197  
D851,749 S \* 6/2019 Siew ..... D24/110.1  
D853,655 S \* 7/2019 Turkbaz ..... D29/108  
D854,679 S \* 7/2019 Gerschman ..... D24/110.5  
D854,753 S \* 7/2019 Turkbaz ..... D29/108  
D857,301 S \* 8/2019 Turkbaz ..... D29/108  
D857,998 S \* 8/2019 Turkbaz ..... D29/108  
D864,399 S \* 10/2019 Qin ..... D24/176  
D867,673 S \* 11/2019 Turkbaz ..... D29/108  
D869,774 S \* 12/2019 Turkbaz ..... D29/108  
D871,571 S \* 12/2019 Chen ..... A61F 5/566  
D24/110.5  
D872,281 S \* 1/2020 Brauteseth ..... D24/181  
D874,654 S \* 2/2020 Martone ..... D24/180  
D875,237 S \* 2/2020 Ghazzawi ..... D24/110  
D876,728 S \* 2/2020 Evans ..... D29/108  
10,568,757 B2 \* 2/2020 Radmand ..... A61F 5/566  
D877,340 S \* 3/2020 Montgomery ..... D24/176  
2003/0019497 A1 \* 1/2003 Farrell ..... A61C 7/08  
128/861  
2004/0103905 A1 \* 6/2004 Farrell ..... A61C 7/08  
128/861  
2007/0099144 A1 \* 5/2007 Keski-Nisula ..... A61C 7/08  
433/6  
2008/0257358 A1 10/2008 Stern et al.  
2010/0311003 A1 12/2010 Kozlov  
2011/0185525 A1 \* 8/2011 Stapelbroek ..... A61C 7/08  
15/167.1  
2013/0263864 A1 \* 10/2013 von Treuenfels ..... A61F 5/566  
128/848  
2014/0190490 A1 \* 7/2014 Walker ..... A61F 5/566  
128/848  
2014/0276171 A1 \* 9/2014 Hestness ..... A61B 5/0833  
600/531  
2014/0326253 A1 \* 11/2014 Baratier ..... A61F 5/566  
128/848  
2015/0079530 A1 \* 3/2015 Bergersen ..... A61C 7/08  
433/6  
2015/0157821 A1 \* 6/2015 Manecke ..... A61M 16/0434  
600/114  
2016/0338813 A1 \* 11/2016 Kamohara ..... A61C 9/0006  
2017/0173356 A1 \* 6/2017 Demarest ..... A61C 5/90  
2018/0078405 A1 \* 3/2018 Farrell ..... A61F 5/566  
2018/0228643 A1 \* 8/2018 Goldstein ..... A61C 5/90

FOREIGN PATENT DOCUMENTS

WO 2017020079 A1 2/2017  
WO 2017165918 A1 10/2017

\* cited by examiner

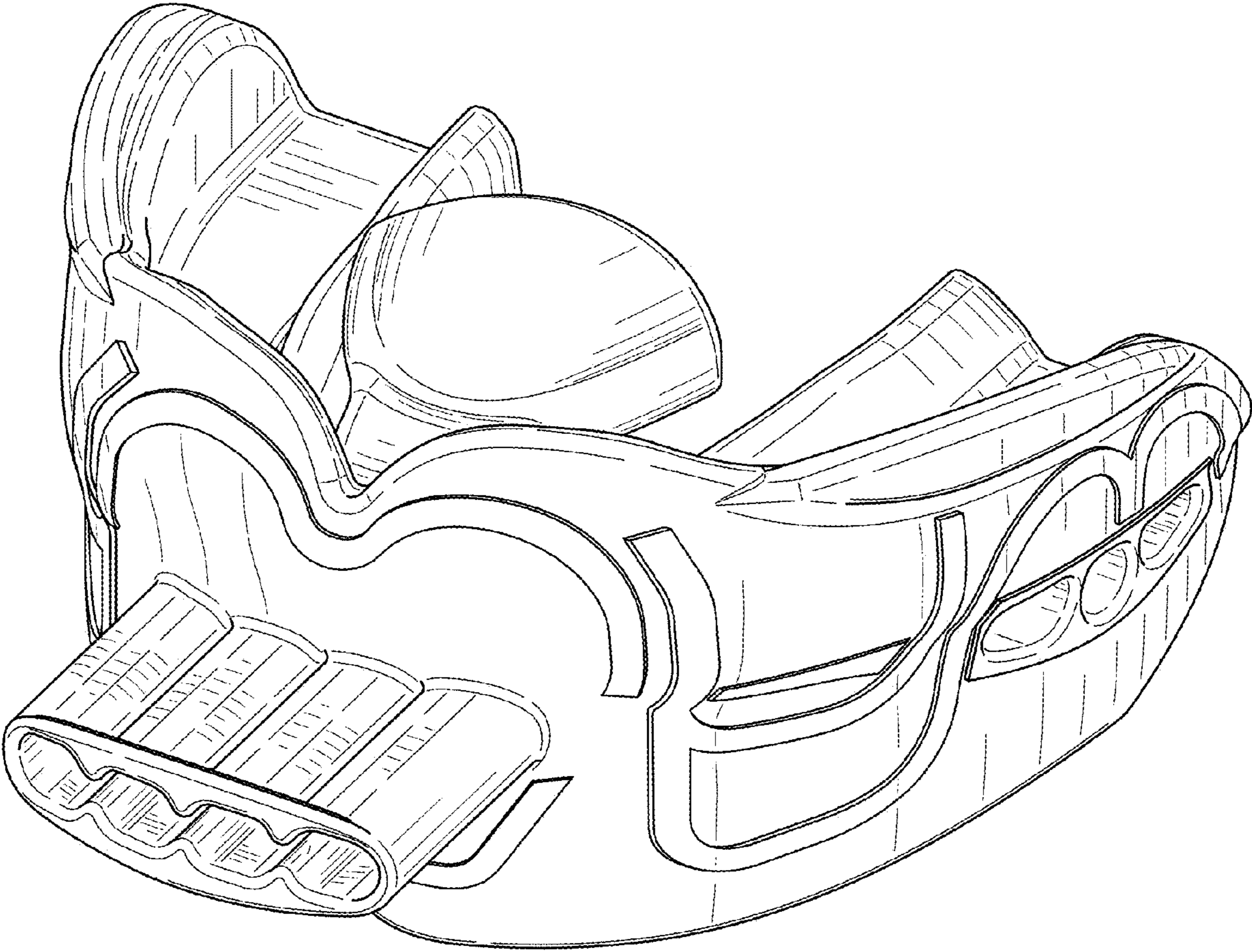


FIG. 1



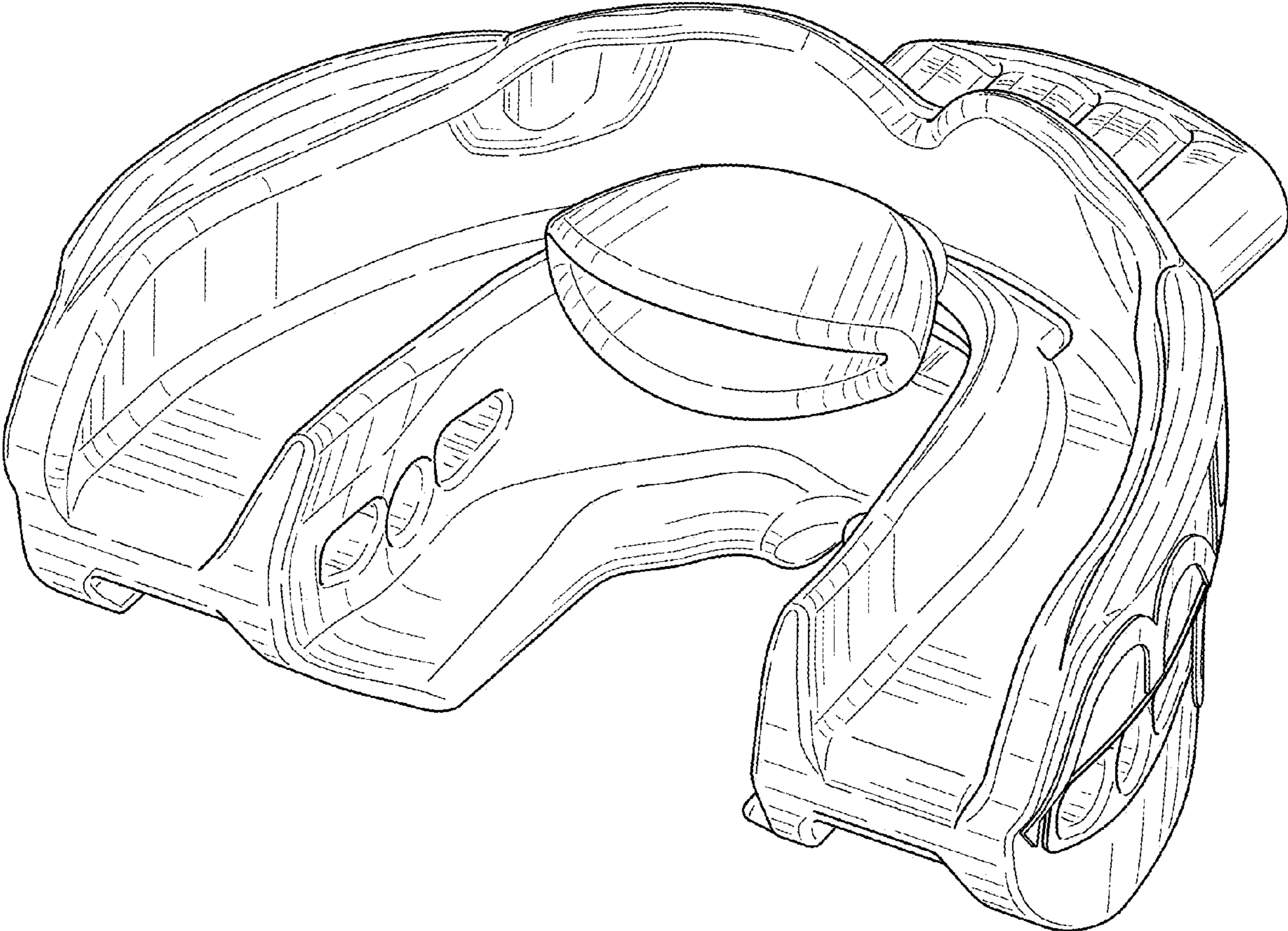


FIG. 2

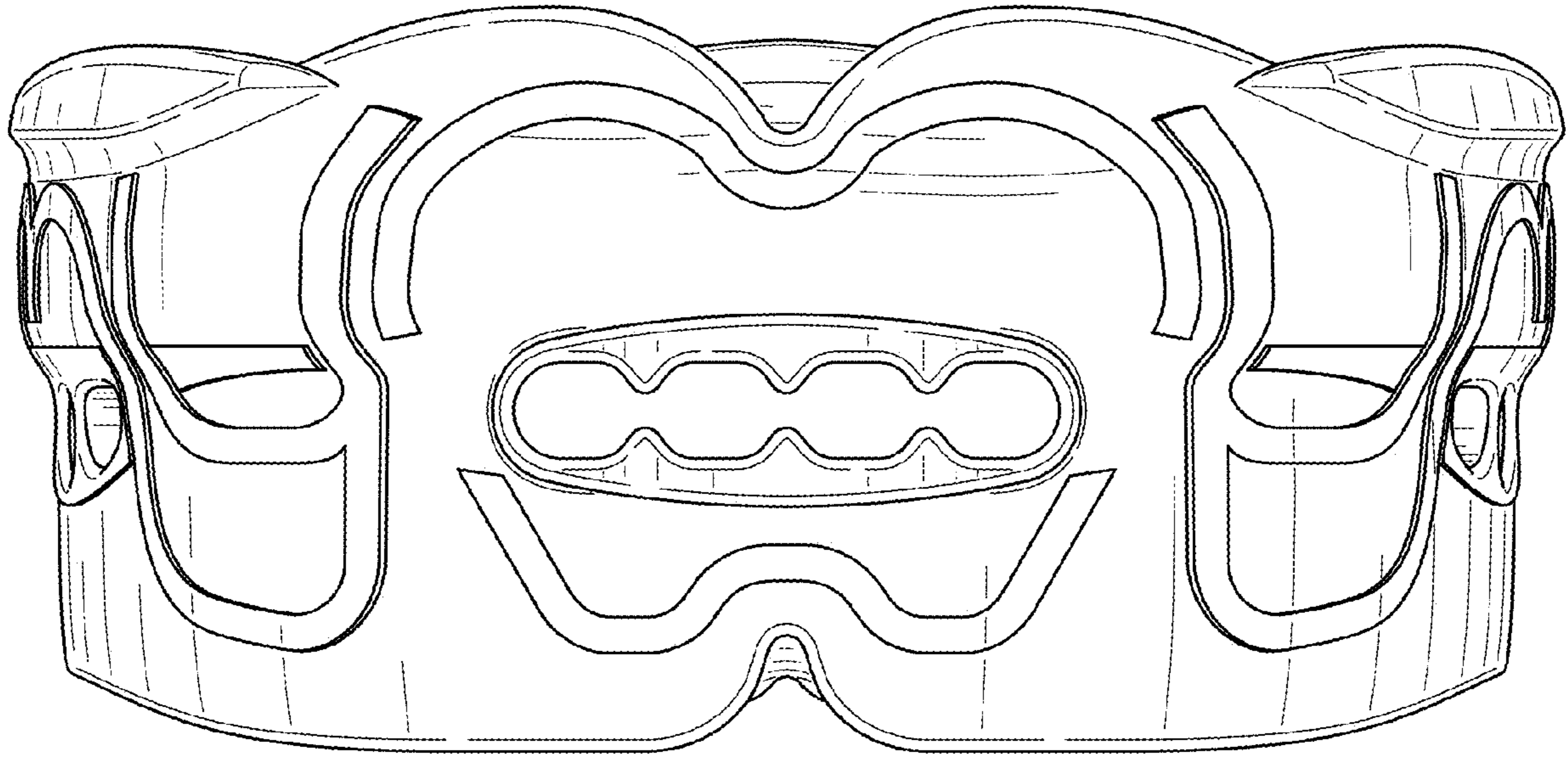


FIG. 3

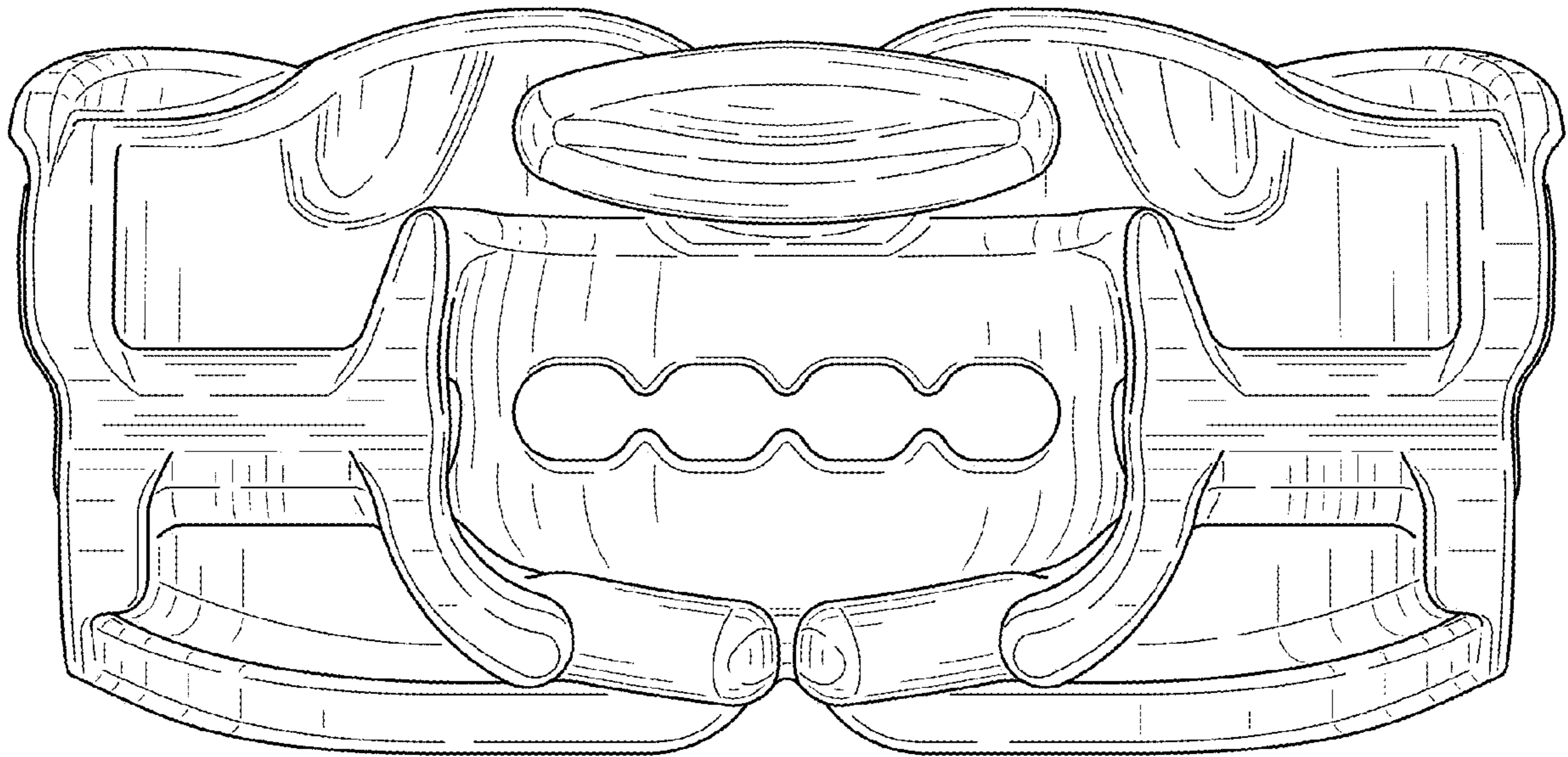


FIG. 4

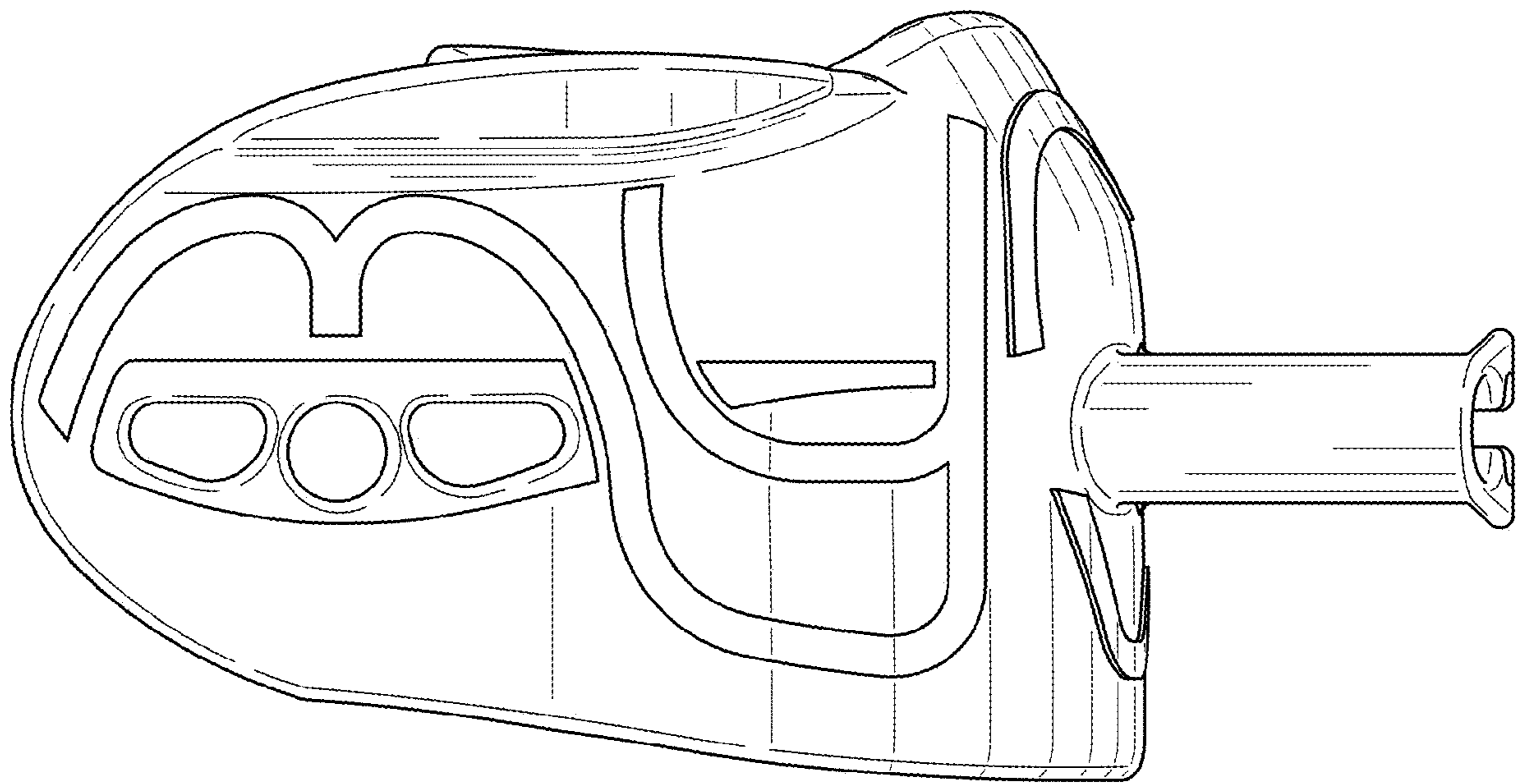


FIG. 5



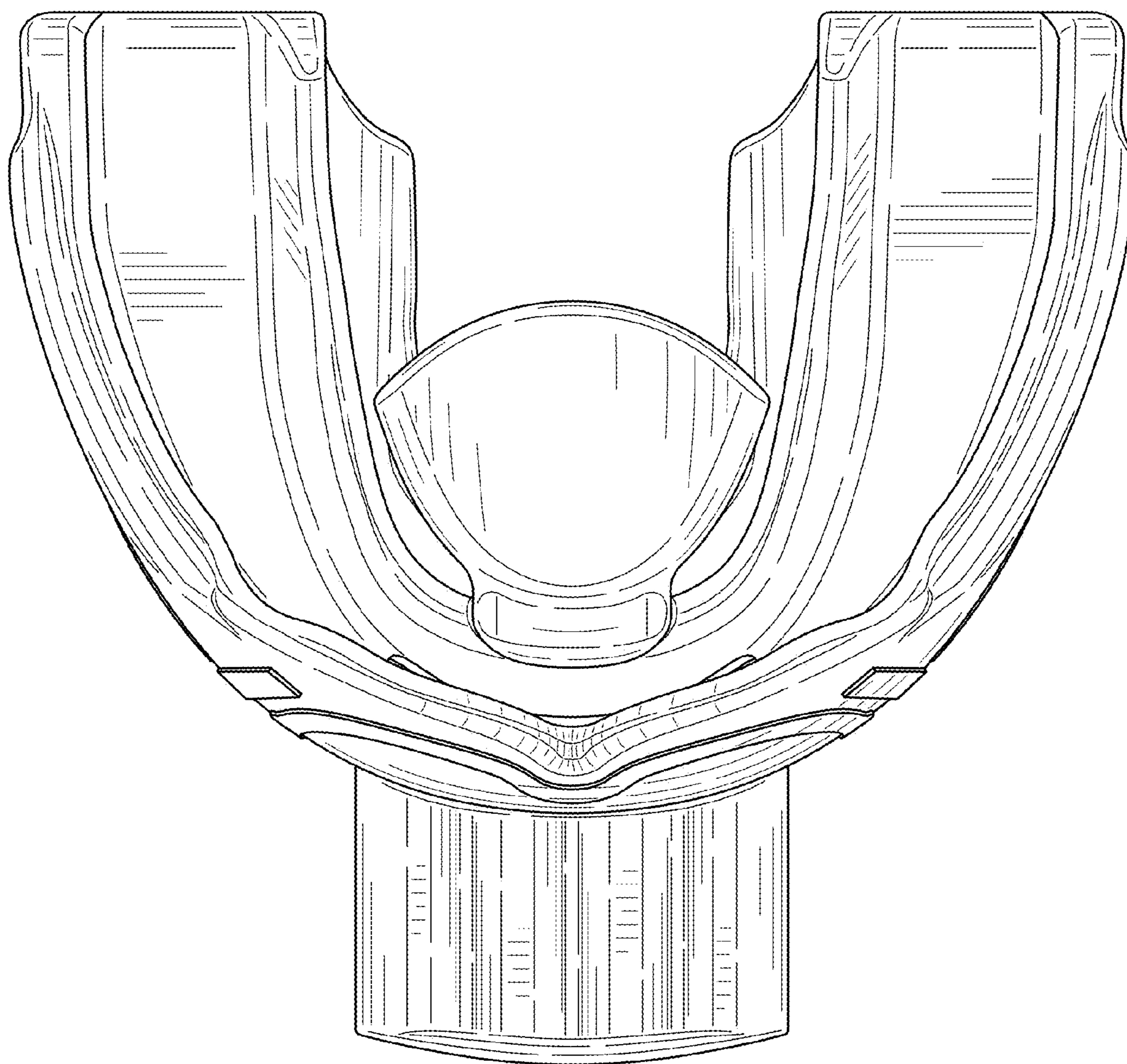


FIG. 6

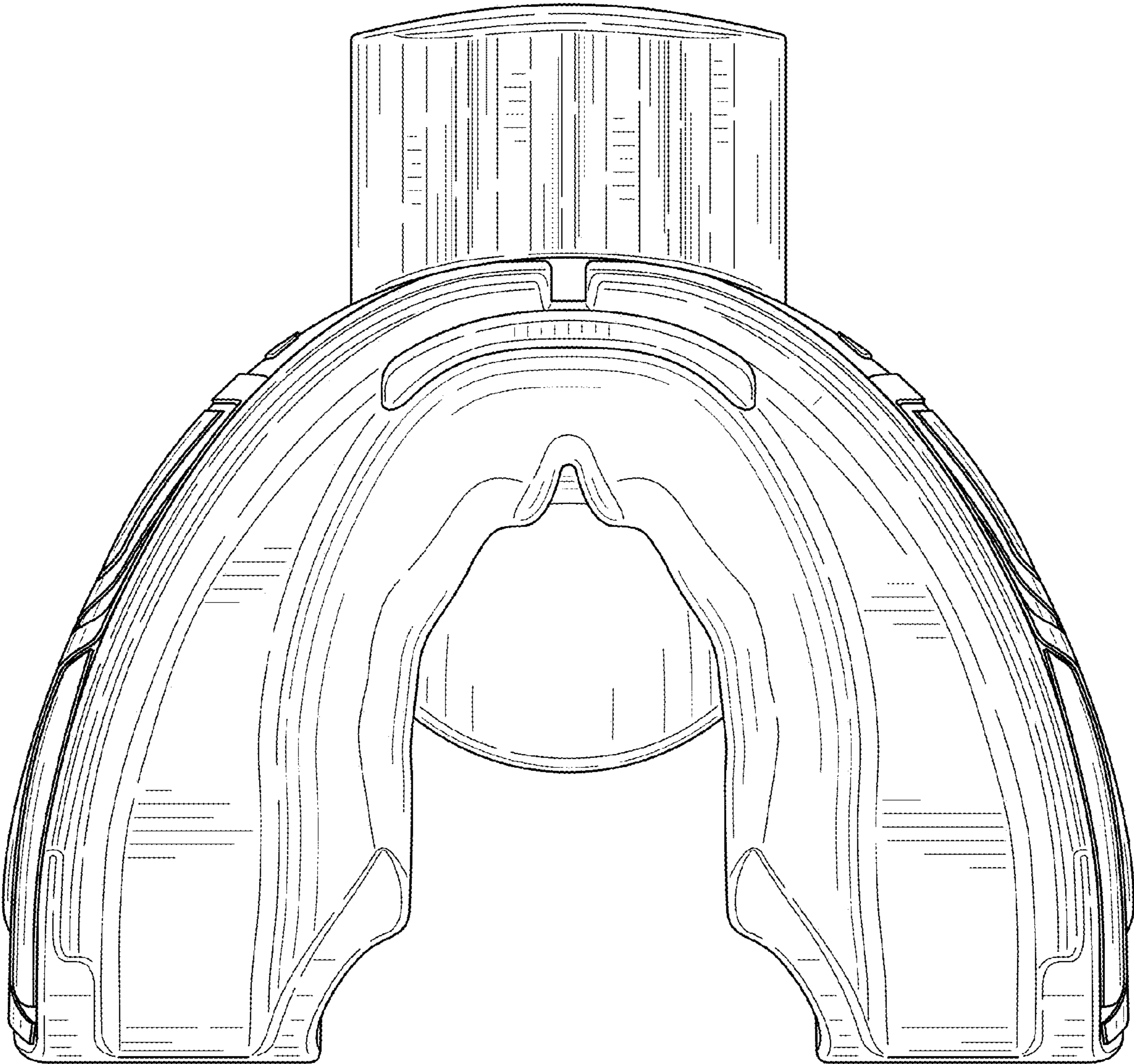


FIG. 7



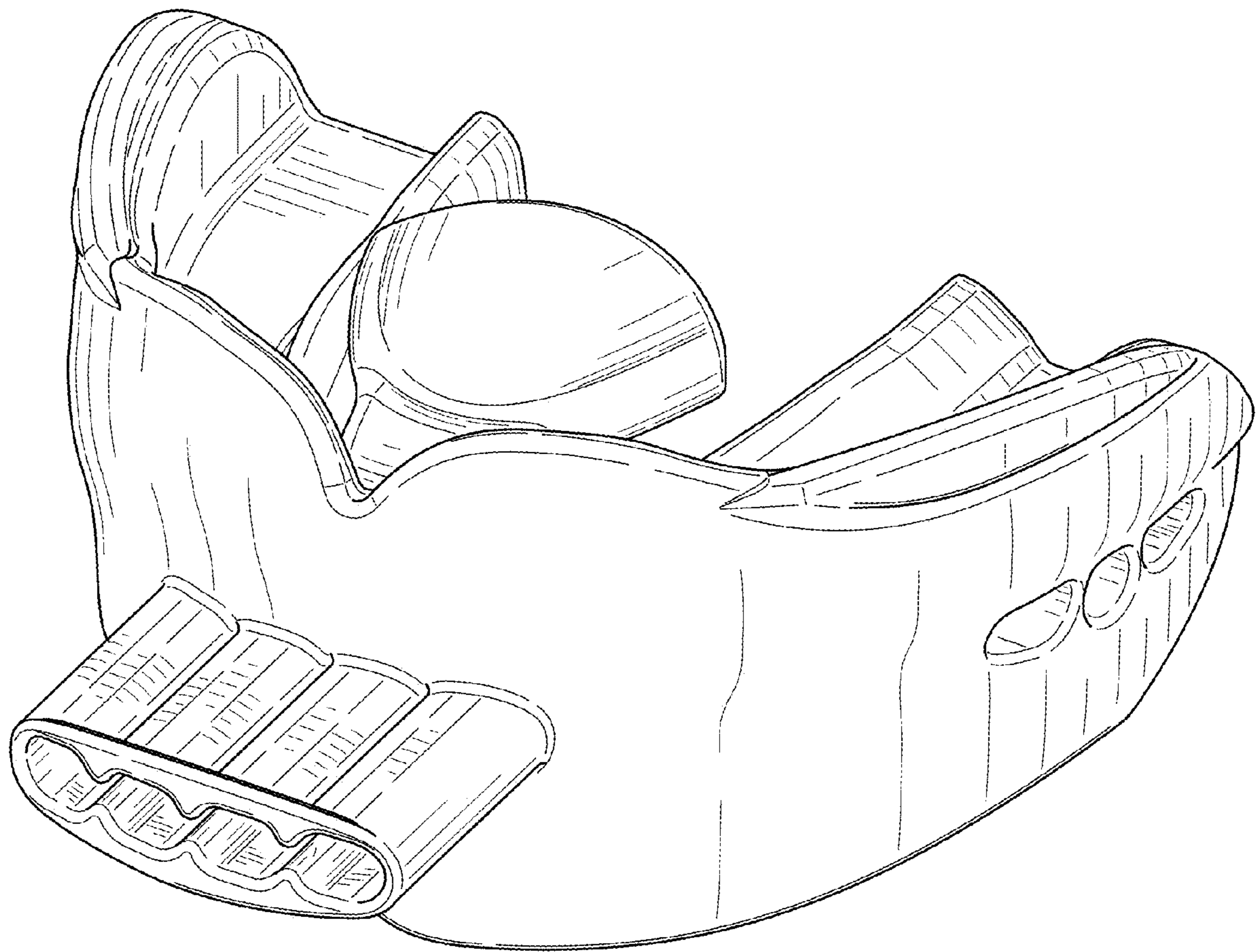


FIG. 8

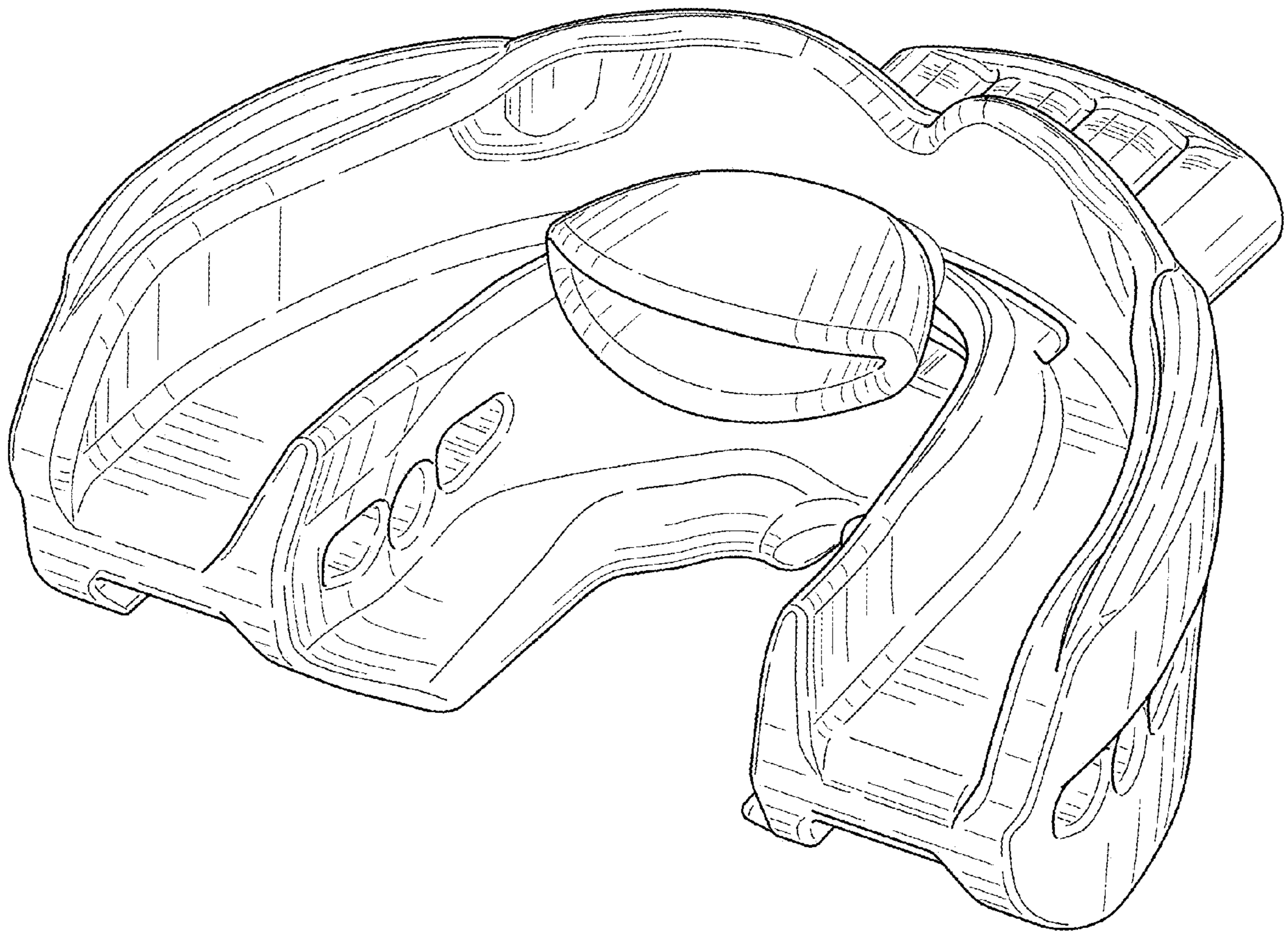


FIG. 9



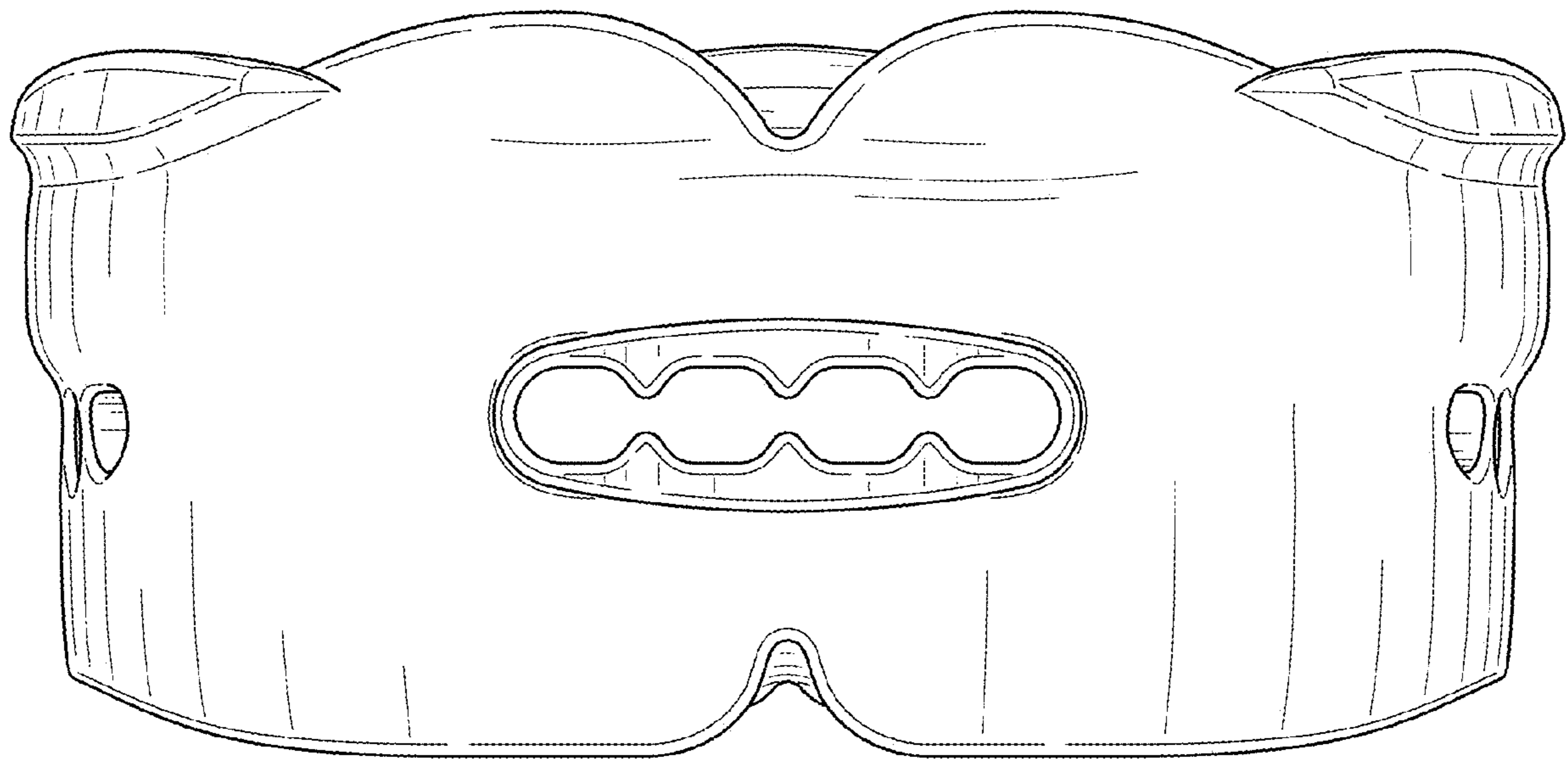


FIG. 10

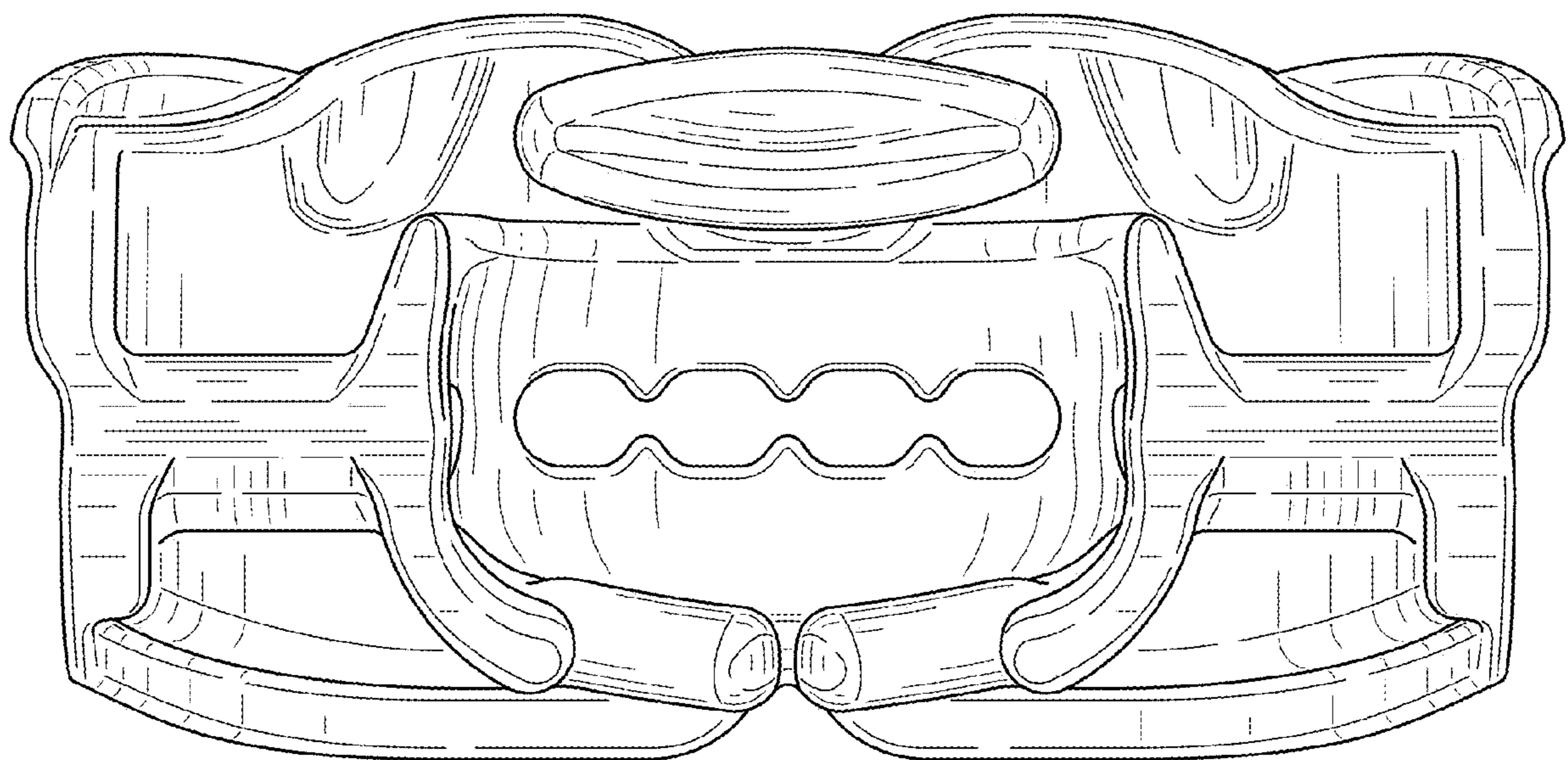


FIG. 11

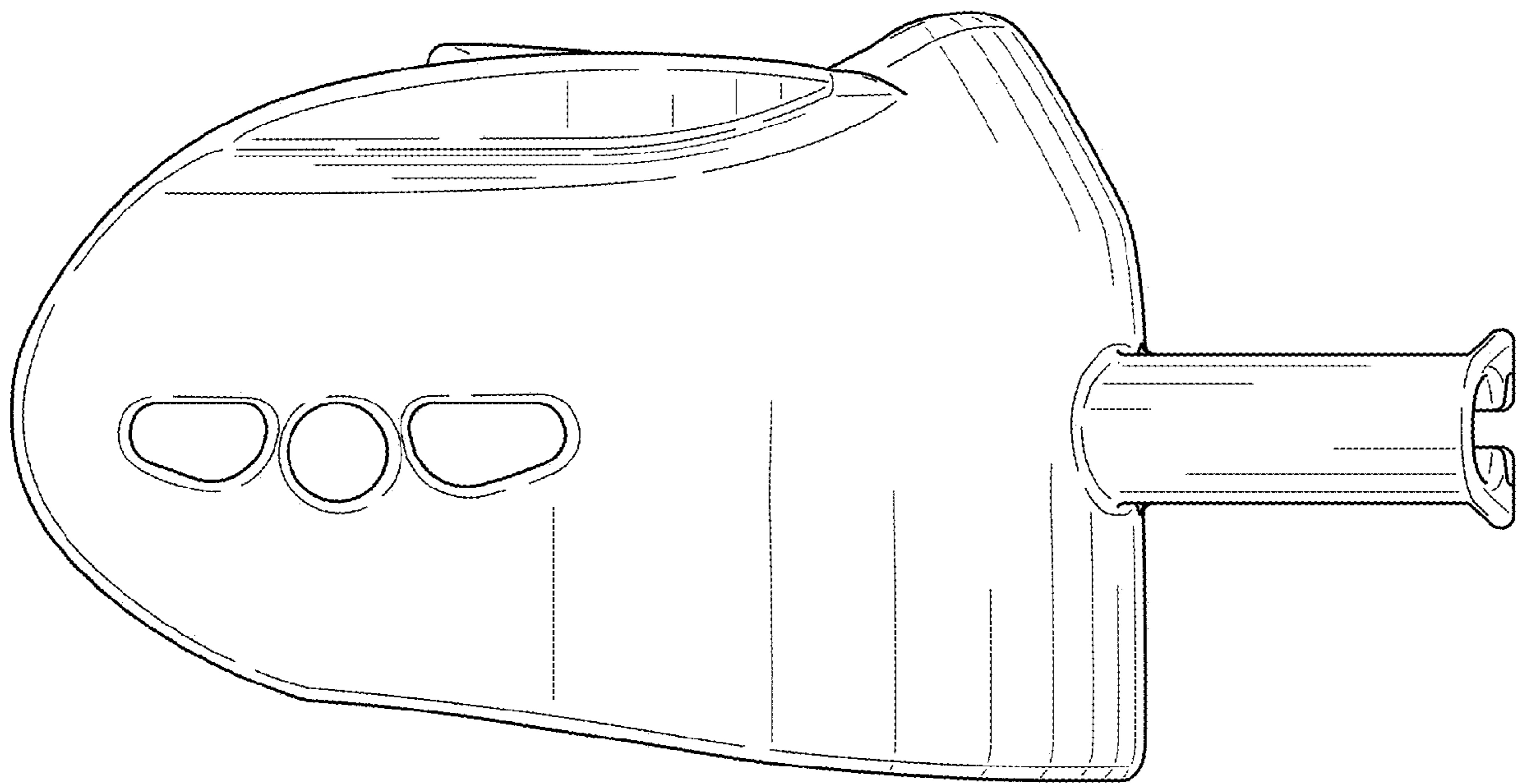


FIG. 12



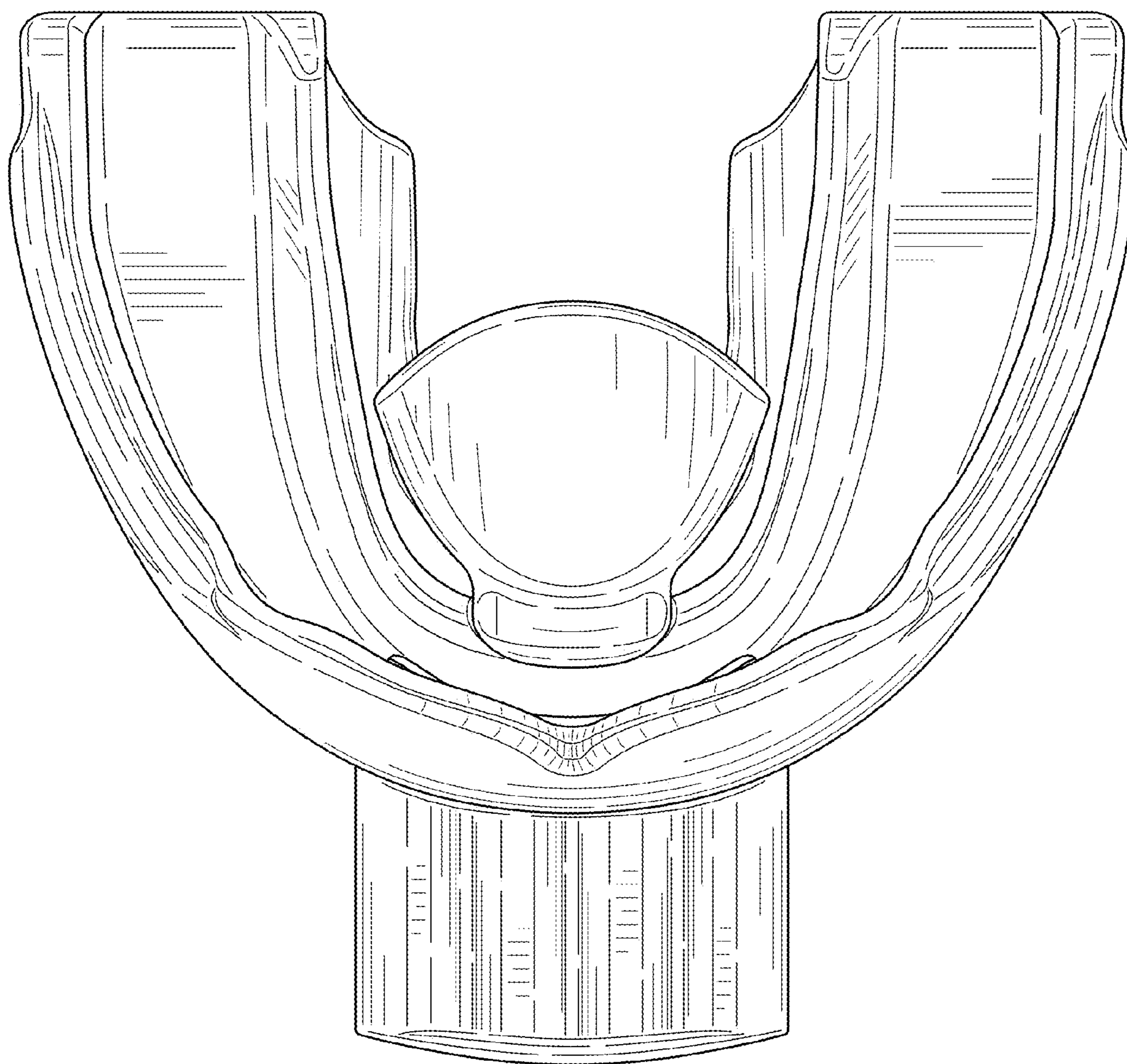


FIG. 13

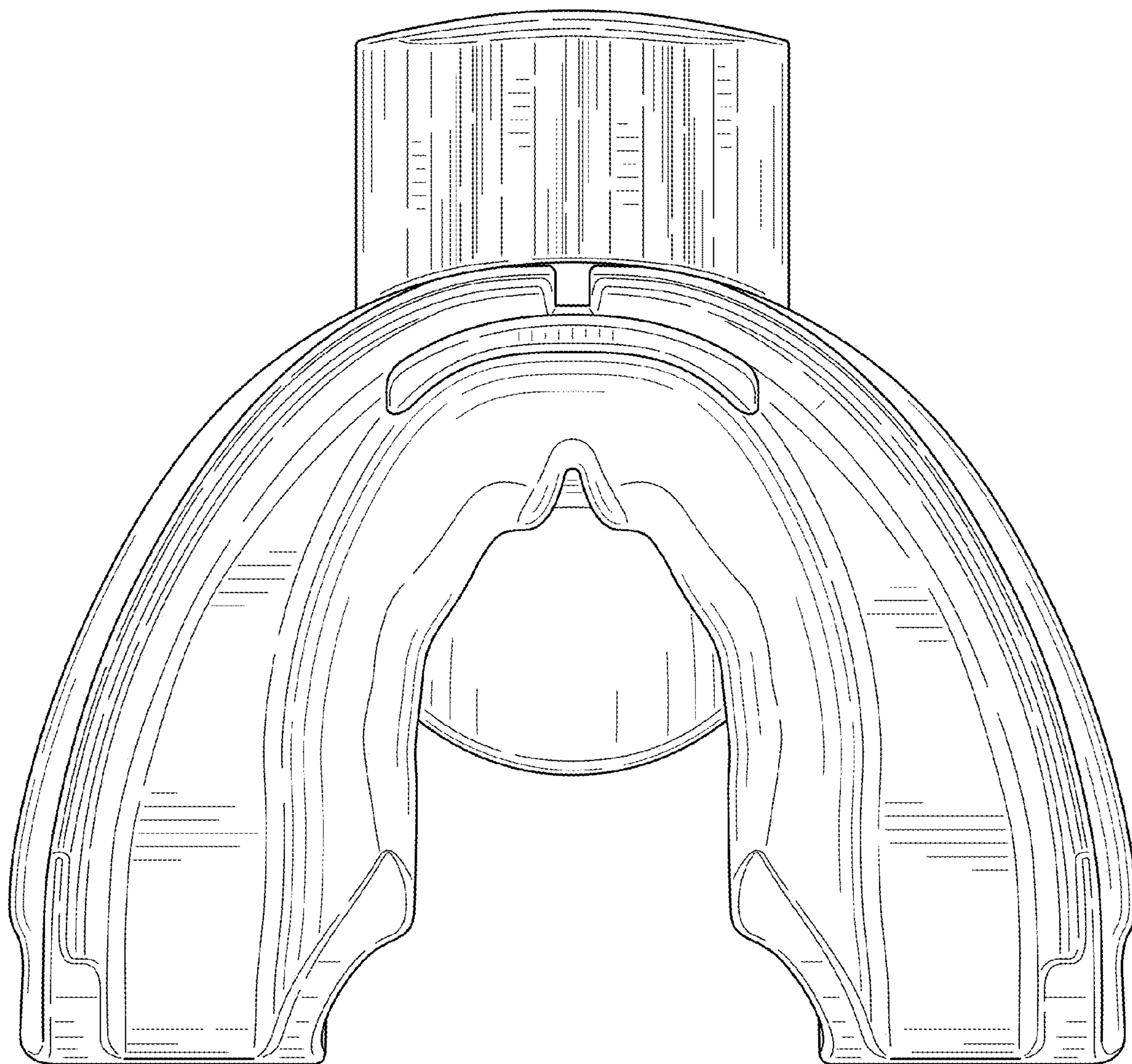


FIG. 14