



US00D904618S

(12) **United States Design Patent** (10) **Patent No.:** **US D904,618 S**  
**Iida et al.** (45) **Date of Patent:** **\*\* Dec. 8, 2020**

(54) **INCUBATOR**

(71) Applicant: **PHC CORPORATION**, Toon (JP)

(72) Inventors: **Yoshiaki Iida**, Osaka (JP); **Akihiro Mochizuki**, Gunma (JP); **Fumio Yamada**, Gunma (JP); **Tomoyoshi Tokumaru**, Kanagawa (JP); **Keisuke Taira**, Kanagawa (JP)

(73) Assignee: **PHC CORPORATION**, Toon (JP)

(\*\*) Term: **15 Years**

(21) Appl. No.: **29/692,620**

(22) Filed: **May 28, 2019**

(30) **Foreign Application Priority Data**

Mar. 20, 2019 (JP) ..... 2019-005962

(51) **LOC (12) Cl.** ..... **24-01**

(52) **U.S. Cl.**  
USPC ..... **D24/163**

(58) **Field of Classification Search**  
USPC ..... D24/163, 164, 185, 202, 209, 231, 217;  
D30/108, 117, 199; D10/50  
CPC .... A61G 11/00; A61G 11/002; A61G 11/005;  
A61G 11/009; A61M 21/0094; A47C  
29/003  
See application file for complete search history.

(56) **References Cited**

**U.S. PATENT DOCUMENTS**

5,690,055 A \* 11/1997 Wenstrand ..... A01K 41/00  
119/309  
D612,948 S 3/2010 Fleury et al.  
7,966,973 B1 \* 6/2011 Adragna, Jr. .... A01K 41/00  
119/311  
D655,870 S \* 3/2012 Carlin, Jr. .... D30/117

D710,503 S \* 8/2014 Hudson ..... D24/163  
RE46,016 E \* 5/2016 Scherbing ..... D24/163  
D819,821 S 6/2018 Yamanaka  
D845,180 S \* 4/2019 Lait ..... D24/163  
D876,021 S \* 2/2020 Gevaert ..... D30/108  
D879,316 S \* 3/2020 Ullman ..... D24/163

**FOREIGN PATENT DOCUMENTS**

EM D004684603-0001 2/2018

\* cited by examiner

*Primary Examiner* — Anhdao Doan

(74) *Attorney, Agent, or Firm* — Brinks Gilson & Lione

(57) **CLAIM**

We claim the ornamental design for an incubator, as shown and described.

**DESCRIPTION**

FIG. 1 is a front perspective view showing an incubator of the present invention;  
FIG. 2 is a rear perspective view thereof;  
FIG. 3 is a front view thereof;  
FIG. 4 is a rear view thereof;  
FIG. 5 is a left side view thereof;  
FIG. 6 is a right side view thereof;  
FIG. 7 is a top plan view thereof;  
FIG. 8 is a bottom view thereof;  
FIG. 9 is a front perspective view with a cover being opened; and,  
FIG. 10 is another front perspective view with the cover being opened and a cartridge shown inside by broken lines. The broken lines depicting a cartridge in FIG. 10 represent an environment, and the remaining broken lines depict portions of the incubator that form no part of the claimed design. The broken lines and the unshaded surfaces form no part of the claimed design.

**1 Claim, 10 Drawing Sheets**

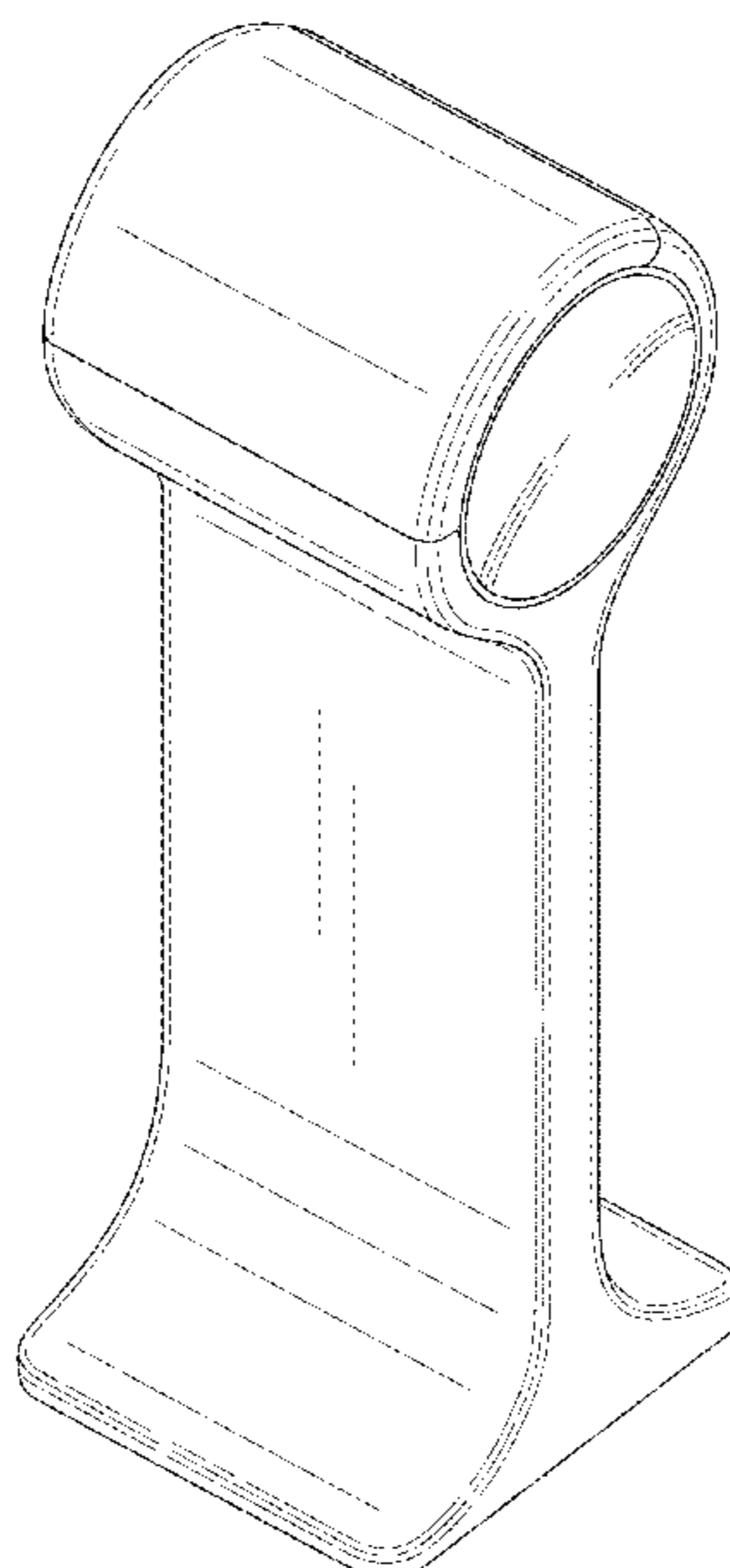


Fig. 1

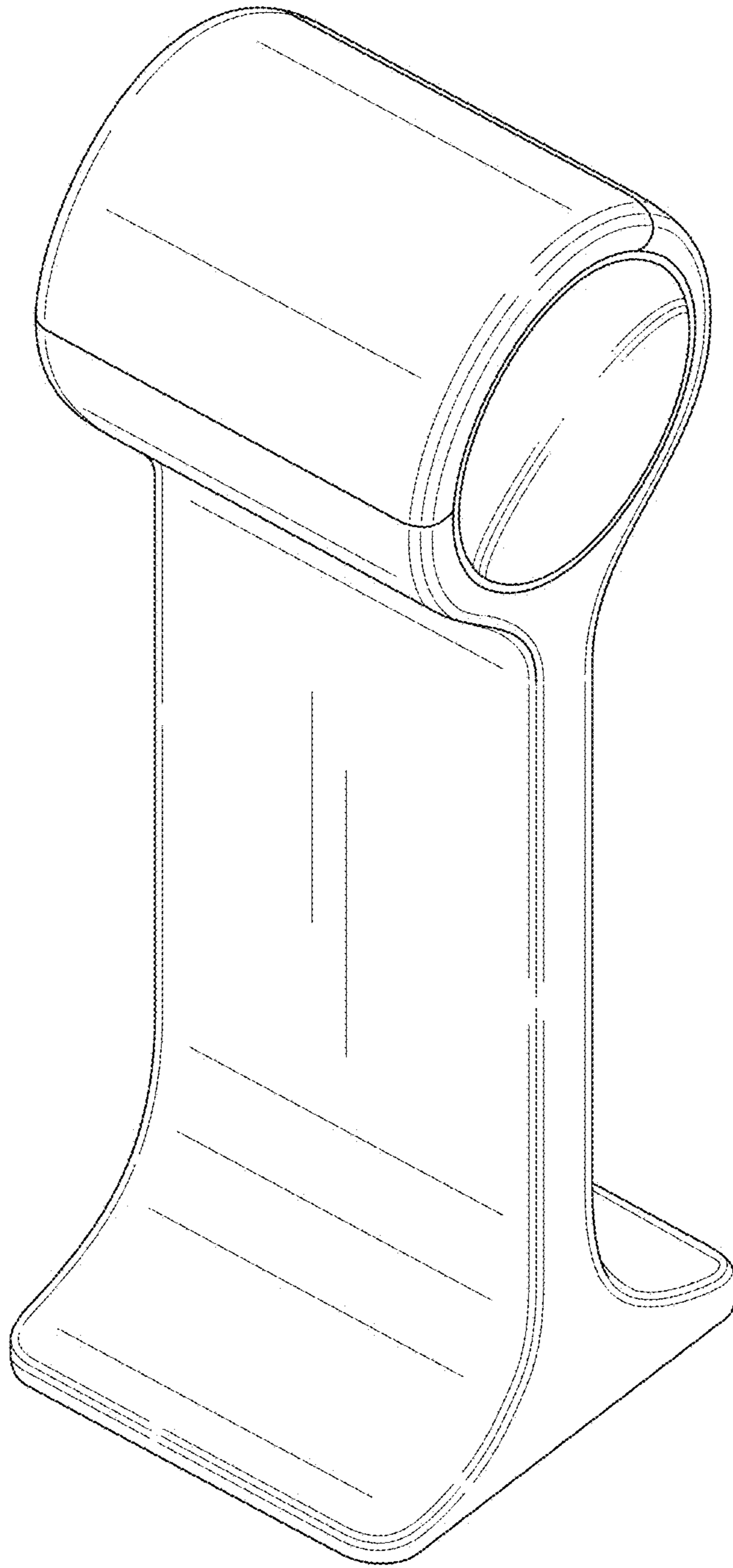


Fig. 2

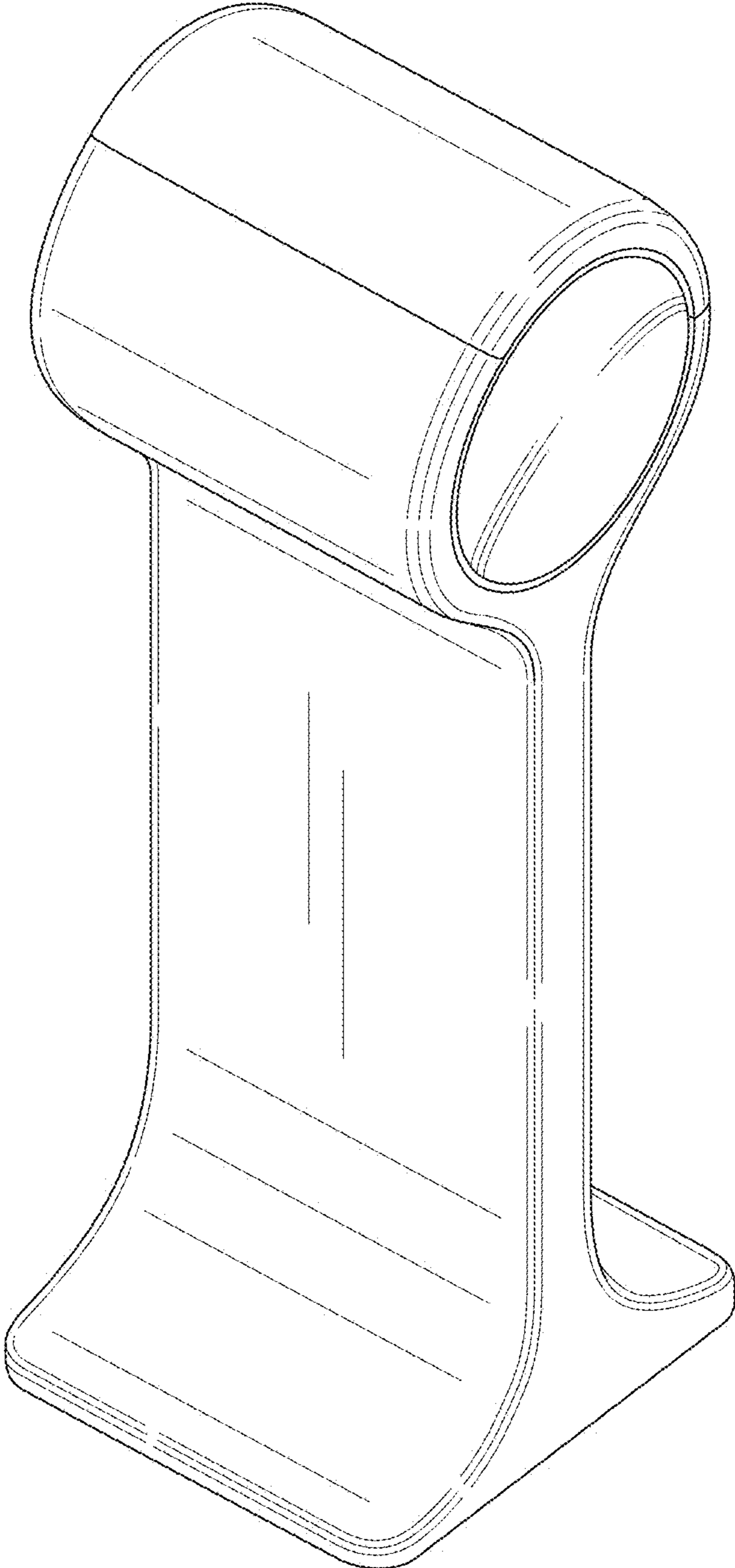


Fig. 3

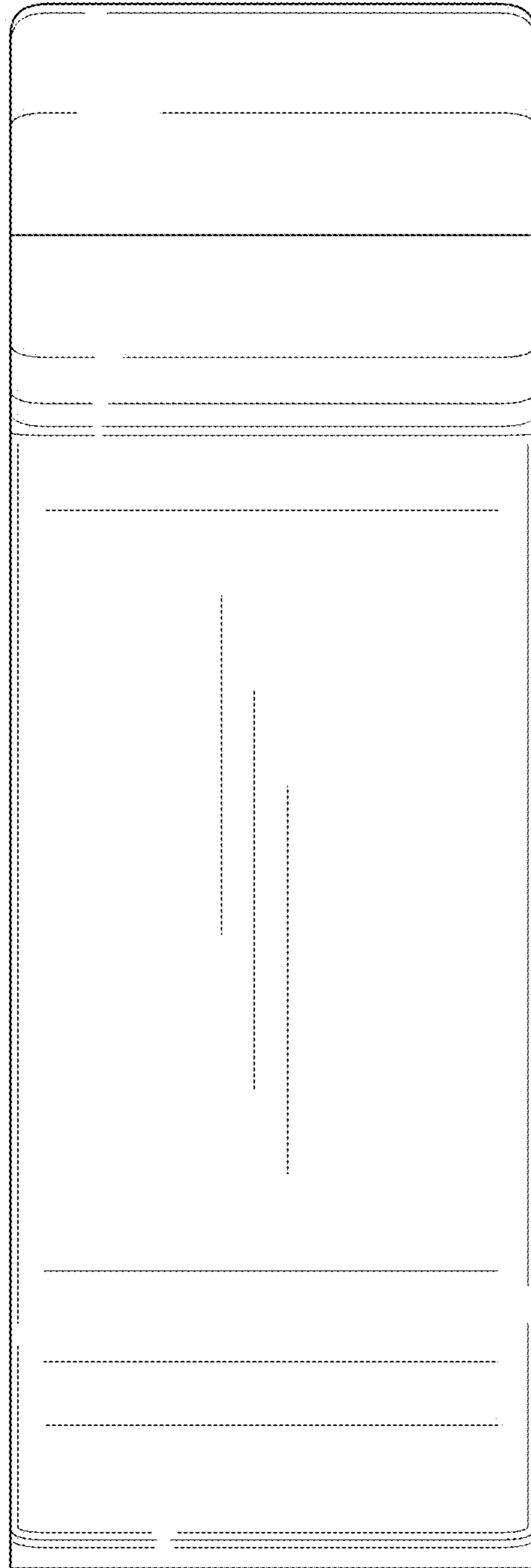


Fig. 4

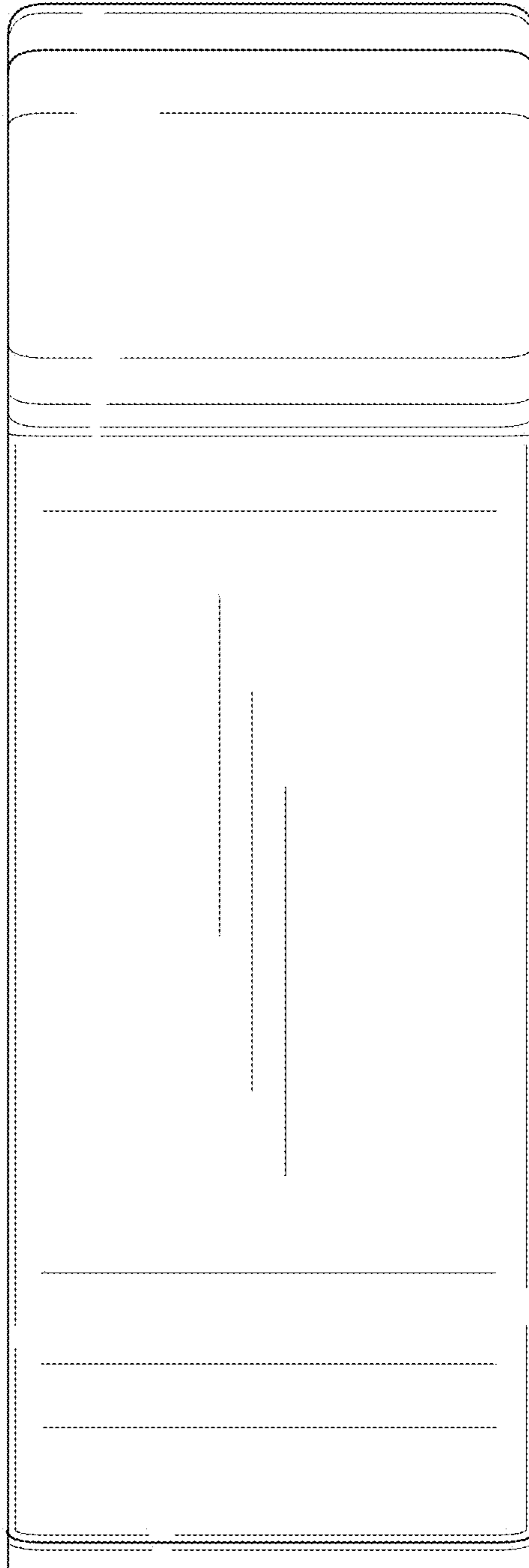


Fig. 5

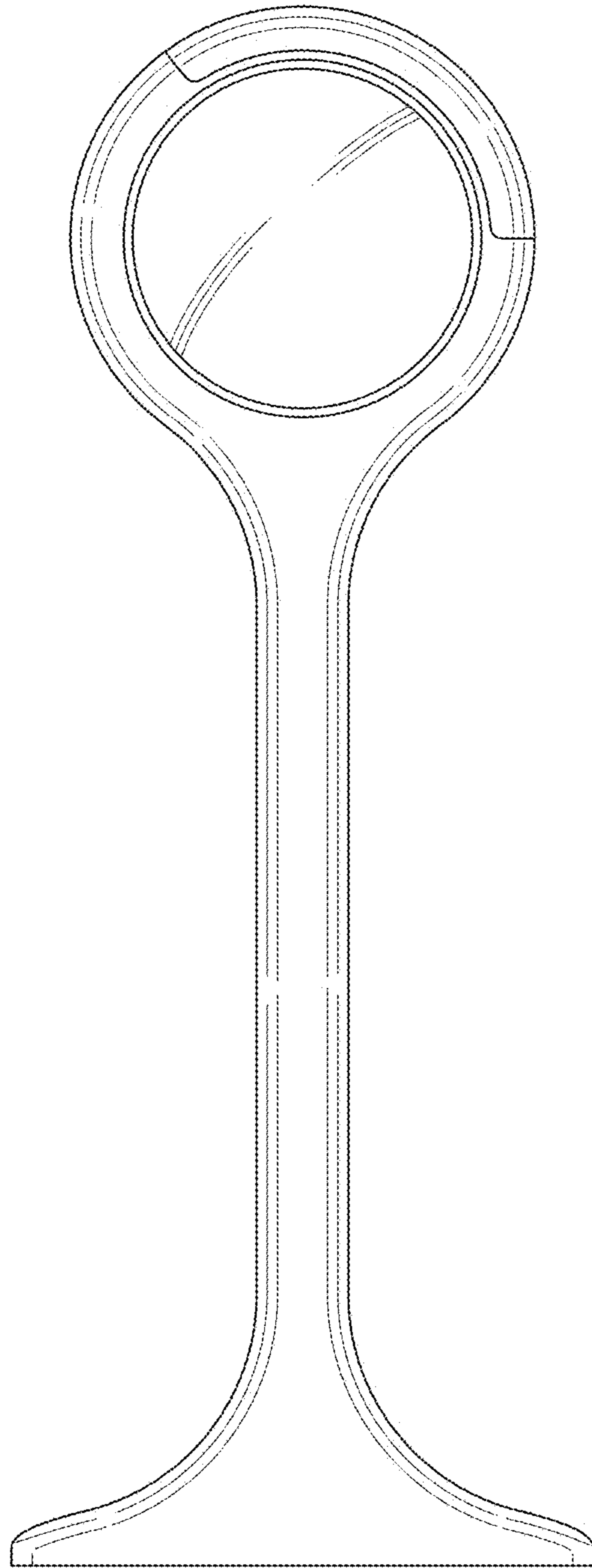




Fig. 6

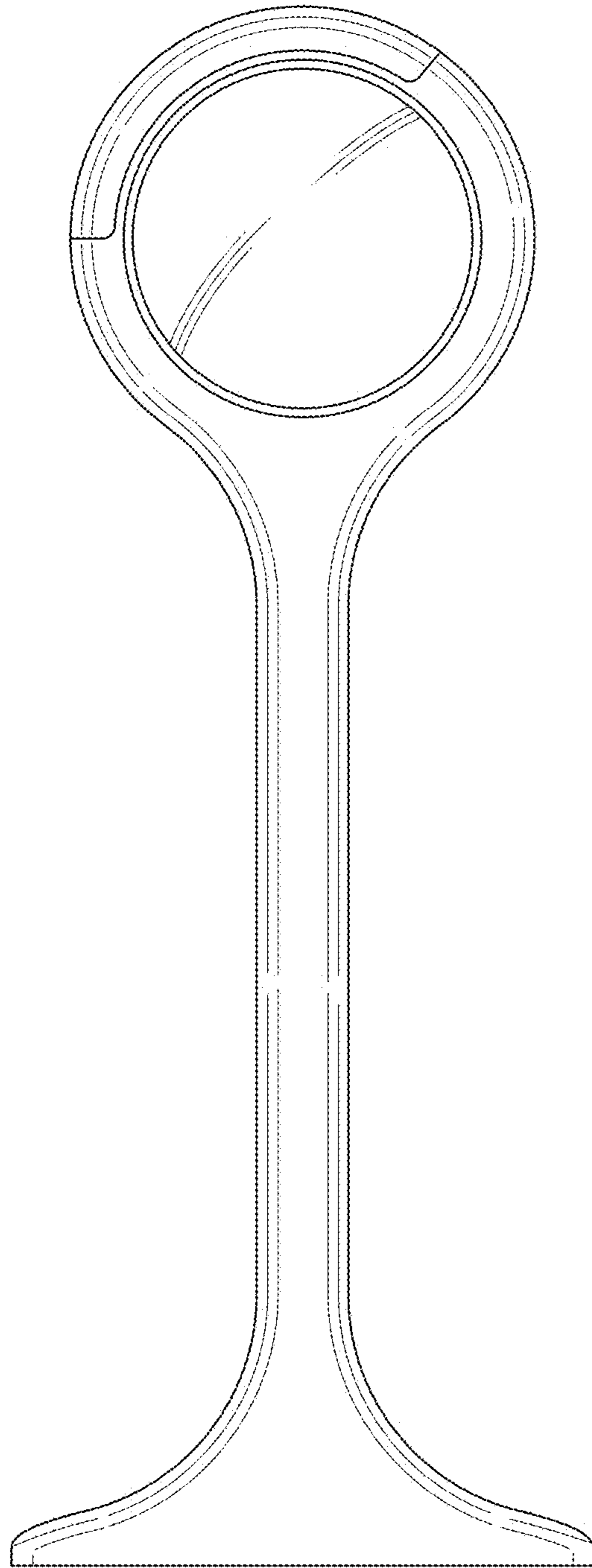


Fig. 7

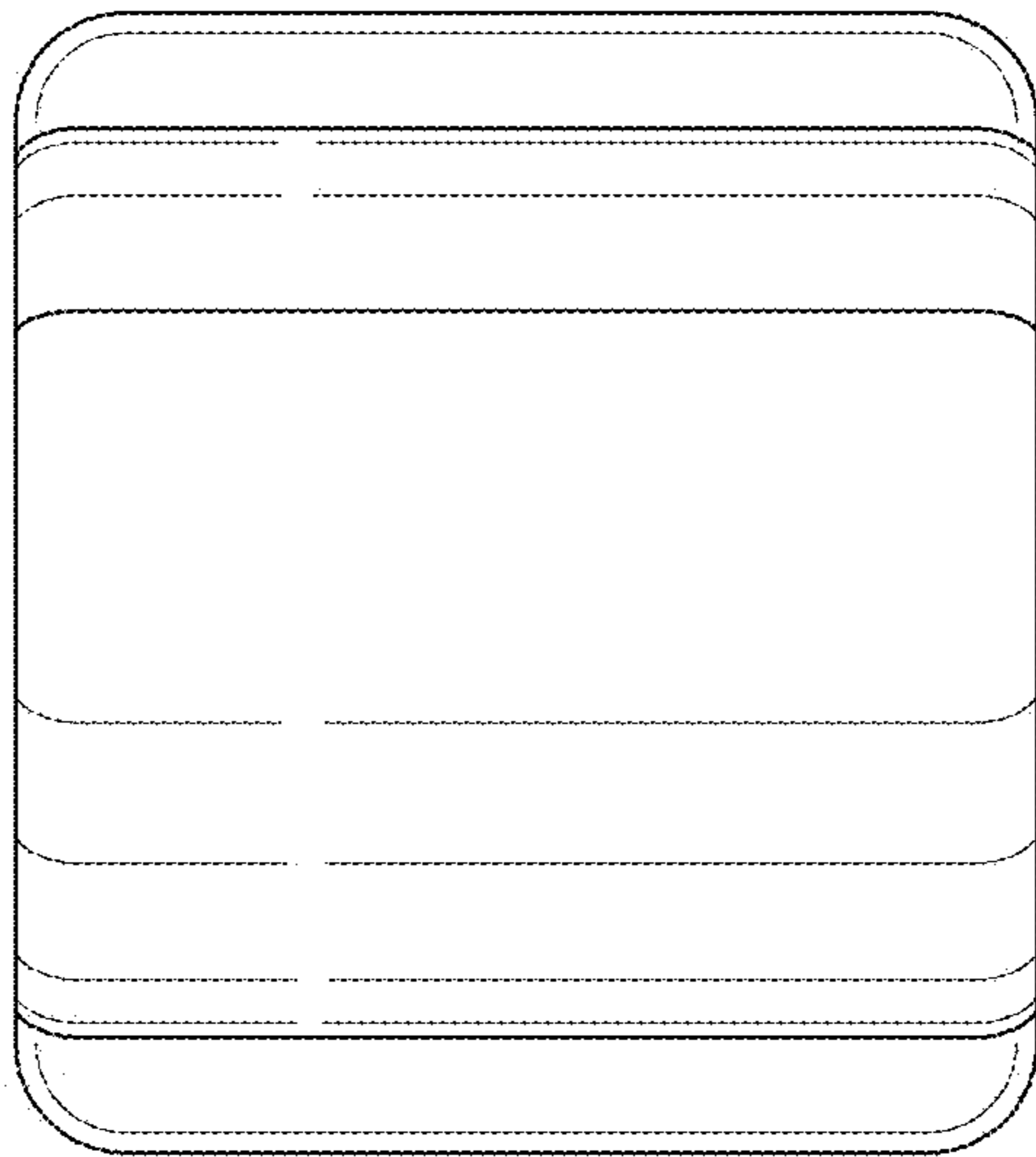




Fig. 8

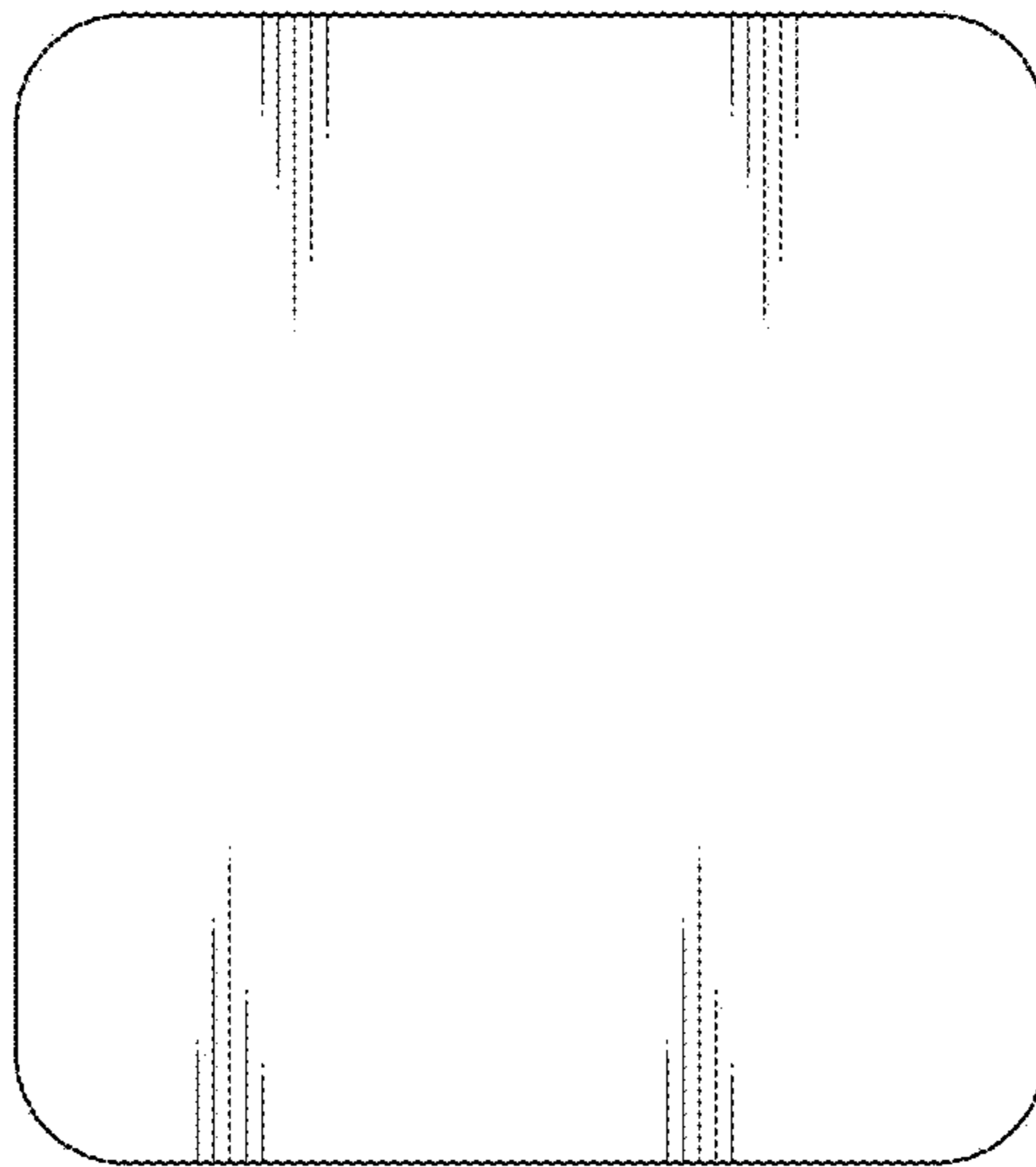


Fig. 9

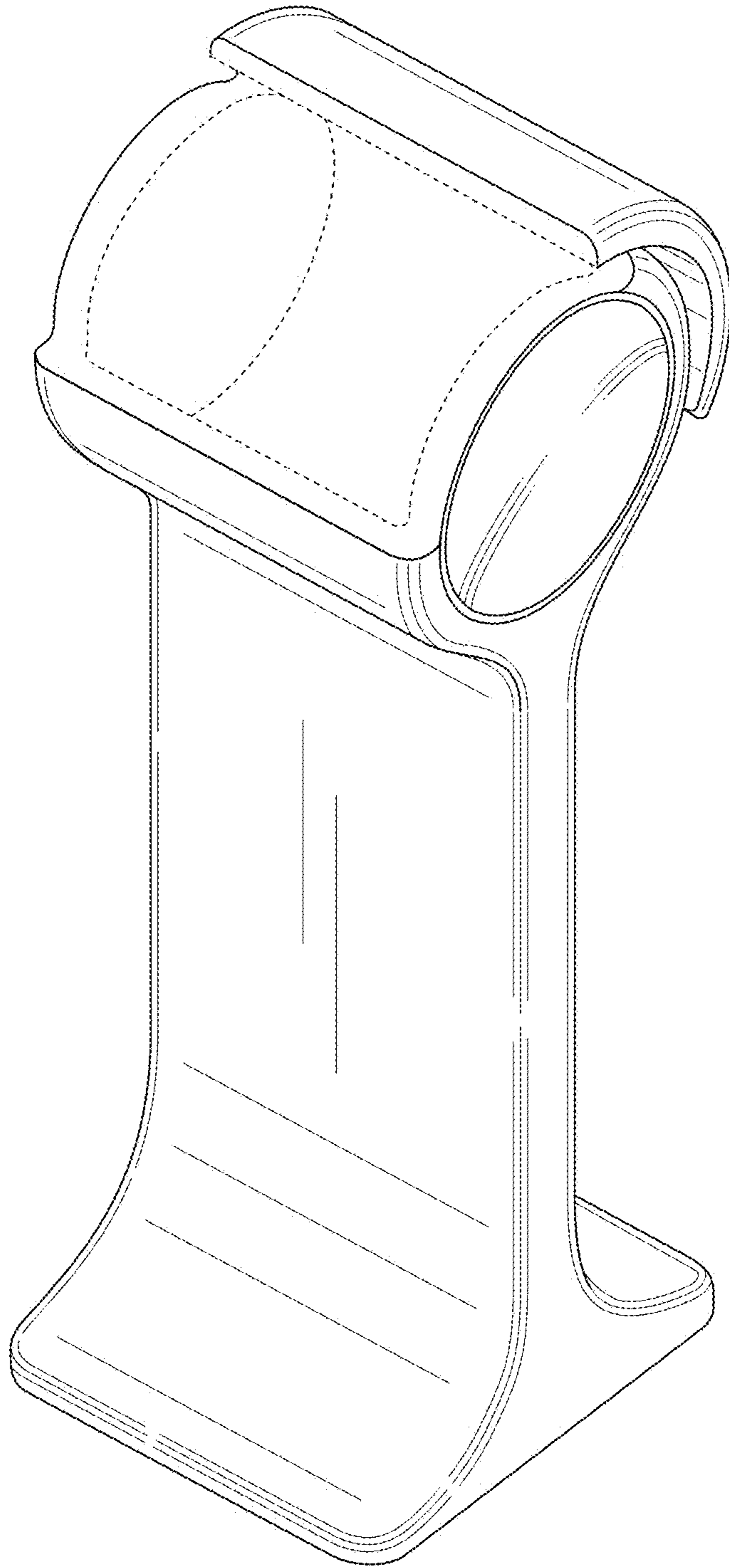


Fig. 10

