



US00D904616S

(12) **United States Design Patent** (10) **Patent No.:** **US D904,616 S**  
**DaCosta et al.** (45) **Date of Patent:** **\*\* Dec. 8, 2020**

- (54) **INTRAMEDULLARY FASTENER**
- (71) Applicant: **PARAGON 28, INC.**, Englewood, CO (US)
- (72) Inventors: **Albert DaCosta**, Lone Tree, CO (US); **Frank Bono**, Castle Rock, CO (US); **Michael Houghton**, Fort Collins, CO (US); **Thomas San Giovanni**, Miami, FL (US); **Thomas Chang**, Santa Rosa, CA (US); **James T. Clancy**, Lake Worth, FL (US); **Eric Lintula**, Parker, CO (US)
- (73) Assignee: **Paragon 28, Inc.**, Englewood, CO (US)
- (\*\*) Term: **15 Years**
- (21) Appl. No.: **29/627,076**
- (22) Filed: **Nov. 22, 2017**

**Related U.S. Application Data**

- (63) Continuation-in-part of application No. 14/776,418, filed as application No. PCT/US2014/027086 on Mar. 14, 2014, now Pat. No. 9,907,562.
- (51) **LOC (12) Cl.** ..... **24-03**
- (52) **U.S. Cl.**  
USPC ..... **D24/155**
- (58) **Field of Classification Search**  
USPC ..... D24/127, 130, 133, 146, 147, 119, 100, D24/104, 108, 109, 110, 111, 117, 118, D24/132, 222, 137, 138, 155, 156, 157; D4/114, 132, 137, 138; D28/7; D32/45, D32/51; D16/130, 132, 136  
CPC ..... A61B 17/1725; A61B 17/1739; A61B 17/1775; A61B 17/68; A61B 17/7241; A61B 17/7291; A61B 17/8685; A61B 17/1717; A61B 17/1782; A61B 17/70; A61B 17/7208; A61B 17/7225; A61B  
(Continued)

- (56) **References Cited**
- U.S. PATENT DOCUMENTS
- 6,010,502 A \* 1/2000 Bagby ..... A61F 2/446  
606/247
- 6,135,772 A \* 10/2000 Jones ..... A61C 8/00  
433/174

(Continued)

**FOREIGN PATENT DOCUMENTS**

- WO 2011072249 A1 6/2011  
WO 2012033836 A1 3/2012

**OTHER PUBLICATIONS**

Partial Supplementary European Search Report issued in European Application No. 14769984.7 dated Nov. 9, 2016.

*Primary Examiner* — Samantha Q Lawrence  
(74) *Attorney, Agent, or Firm* — Heslin Rothenberg Farley & Mesiti P.C.

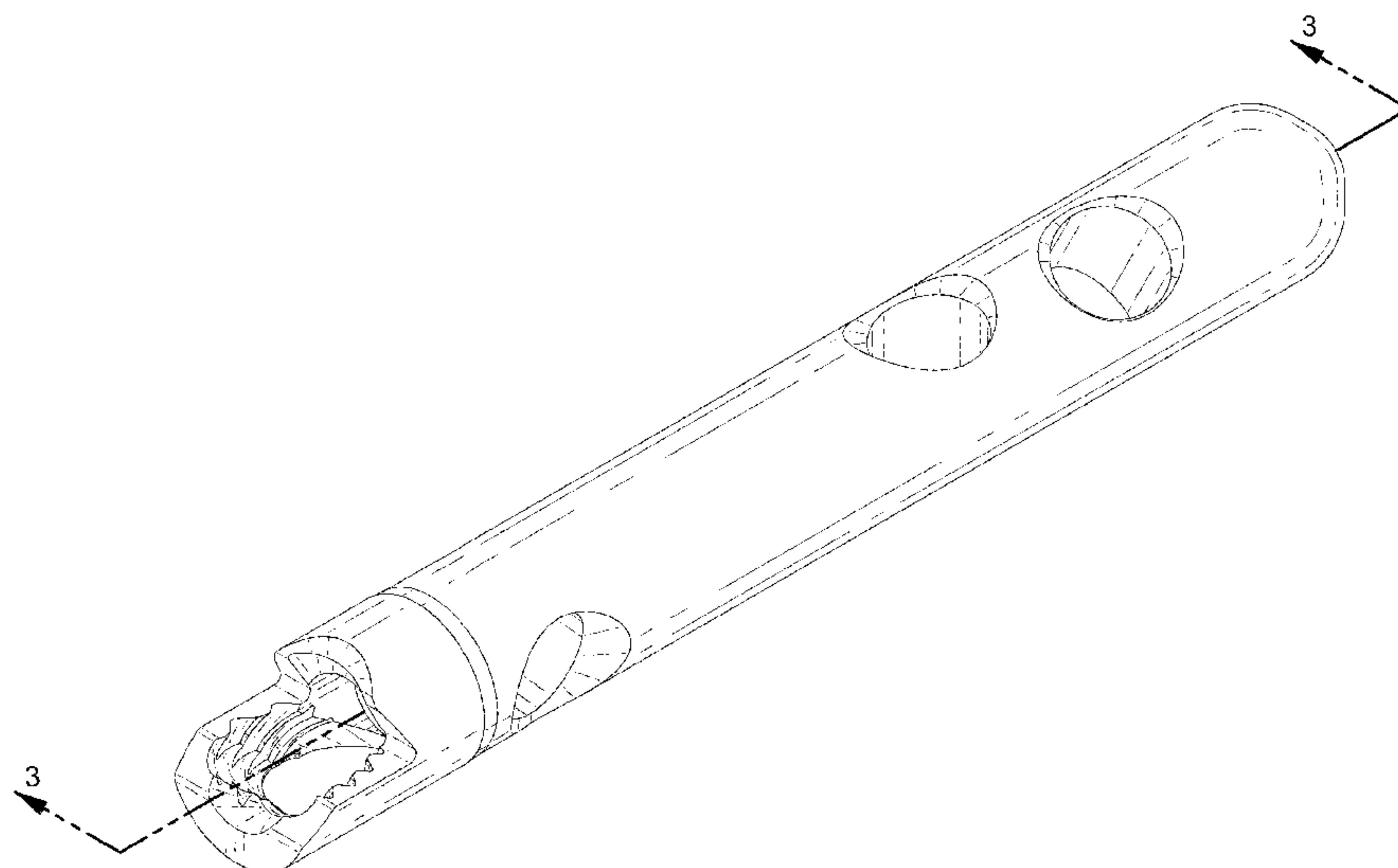
(57) **CLAIM**

The ornamental design for an intramedullary fastener, as shown and described.

**DESCRIPTION**

FIG. 1 is a front perspective view of an intramedullary fastener showing the new design;  
 FIG. 2 is a back perspective view of the design of FIG. 1;  
 FIG. 3 is a sectional view the design of FIG. 1 taken along Line 3-3 of FIG. 1;  
 FIG. 4 is a sectional view the design of FIG. 1 taken along Line 4-4 of FIG. 2;  
 FIG. 5 is a top view of the design of FIG. 1;  
 FIG. 6 is a bottom view of the design of FIG. 1;  
 FIG. 7 is a left elevational view of the design of FIG. 1;  
 FIG. 8 is a right elevational view of the design of FIG. 1;  
 FIG. 9 is a front elevational view the design of FIG. 1; and,  
 FIG. 10 is a back elevational view the design of FIG. 1.

**1 Claim, 5 Drawing Sheets**



(58) **Field of Classification Search**

CPC ..... 17/8605; A61B 17/8625; A61B 17/863;  
A61B 17/8635; A61B 17/864; A61B  
17/88; A61B 2090/062; A61C 8/0022;  
A61C 8/0025; A61C 8/00; A61C 8/0089;  
A61F 2/4611; A61F 2002/2835; A61F  
2002/4649; A61F 2230/0004; F16B  
5/0275

See application file for complete search history.

(56) **References Cited**

U.S. PATENT DOCUMENTS

D536,453 S \* 2/2007 Young ..... D24/155  
D562,454 S \* 2/2008 Rassoli ..... D24/156  
7,699,613 B2 \* 4/2010 Niznick ..... A61C 8/0001  
433/174  
D665,082 S \* 8/2012 Milford ..... D24/155  
D722,380 S 2/2015 Palmer et al.  
9,603,640 B2 \* 3/2017 Palmer ..... A61B 17/1739  
D790,064 S \* 6/2017 Saltell ..... D24/156  
D868,254 S \* 11/2019 Lintula ..... D24/155  
D882,089 S \* 4/2020 DaCosta ..... D24/155  
10,617,529 B2 \* 4/2020 Surma ..... A61B 17/8645  
10,631,905 B2 \* 4/2020 Asfora ..... A61B 17/864  
2008/0065076 A1 \* 3/2008 Cragg ..... A61F 2/442  
606/261  
2009/0157077 A1 6/2009 Larsen et al.  
2010/0036440 A1 \* 2/2010 Morris ..... A61B 17/702  
606/320  
2011/0282346 A1 11/2011 Pham et al.  
2012/0197254 A1 8/2012 Wolfe et al.  
2012/0330313 A1 \* 12/2012 Grady ..... A61B 17/7225  
606/64

\* cited by examiner

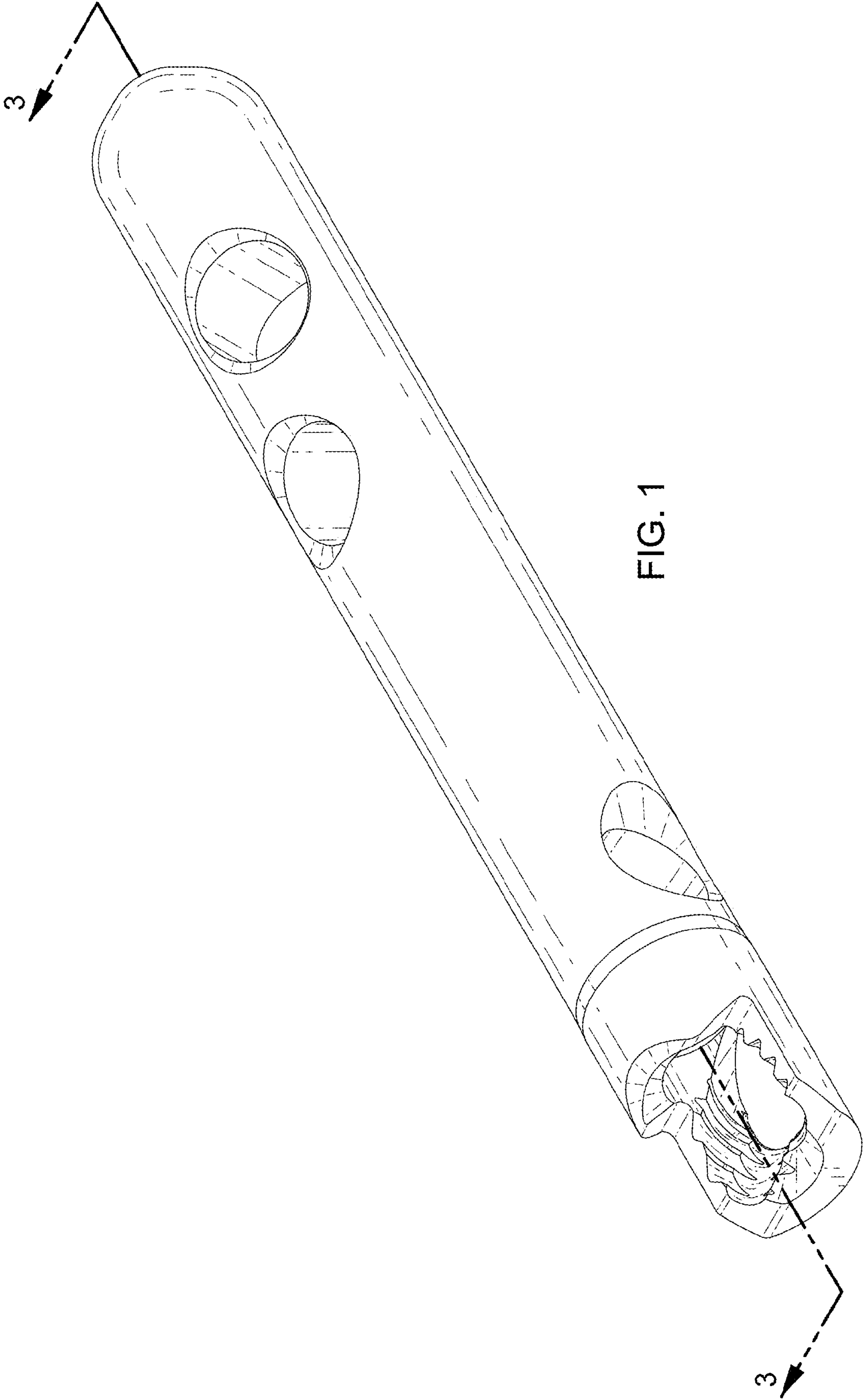


FIG. 1

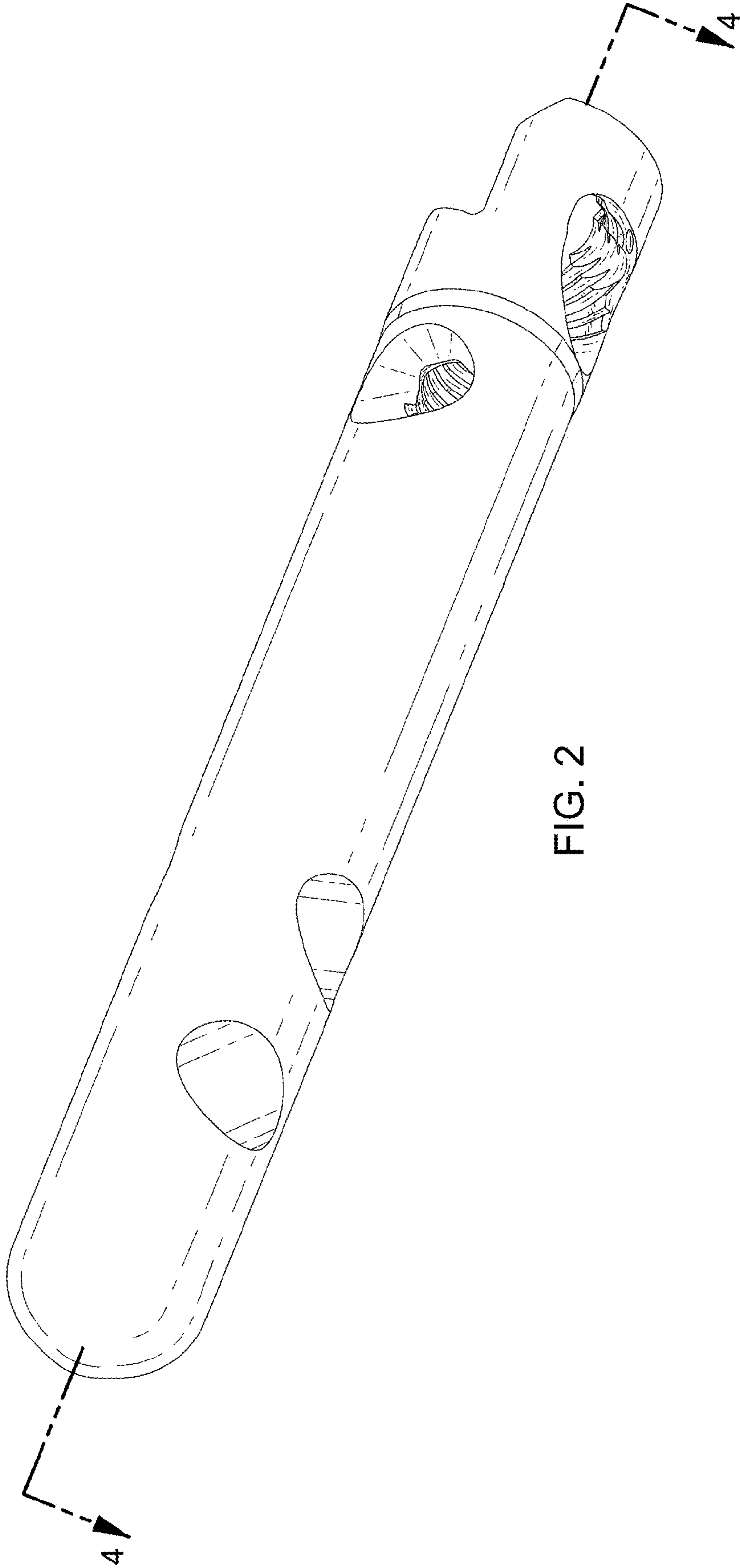


FIG. 2



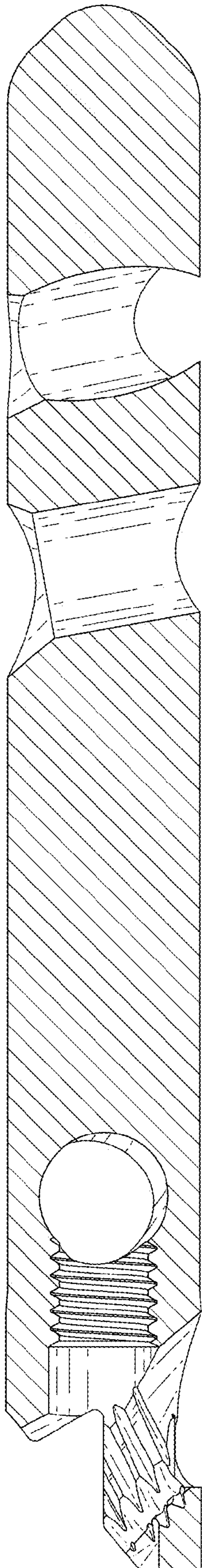


FIG. 3

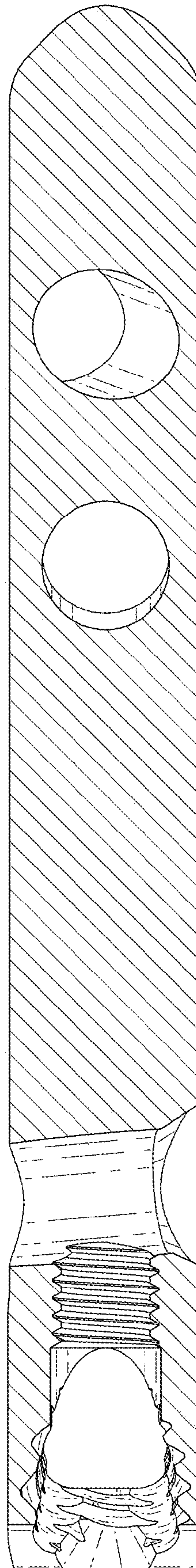


FIG. 4

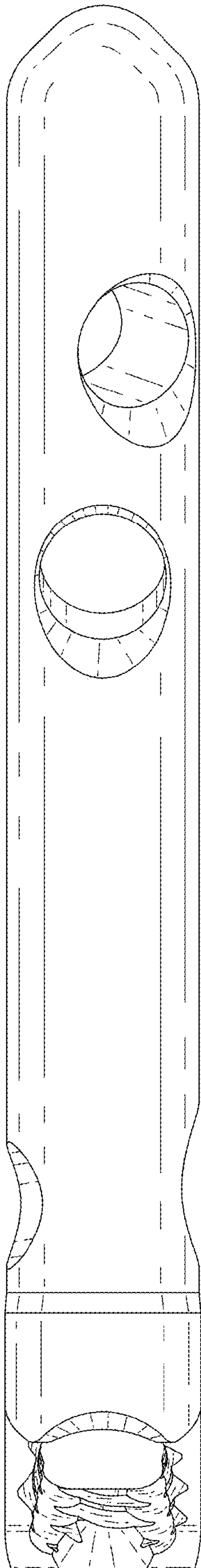


FIG. 5

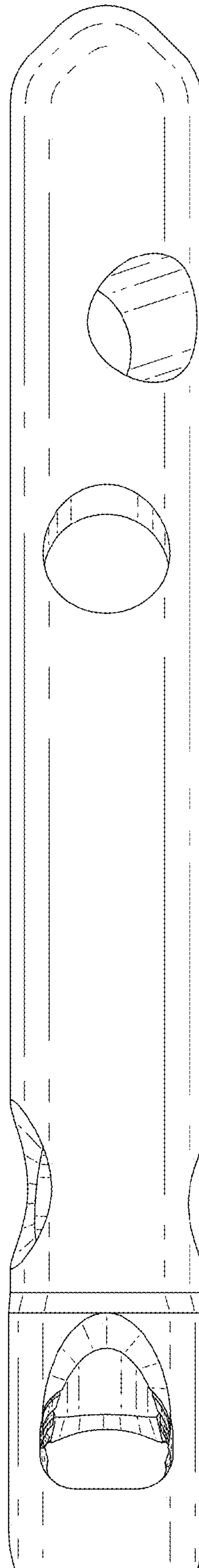


FIG. 6

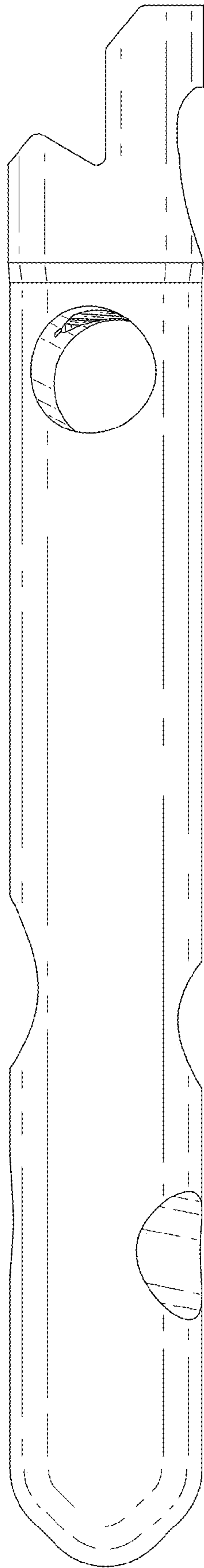


FIG. 7

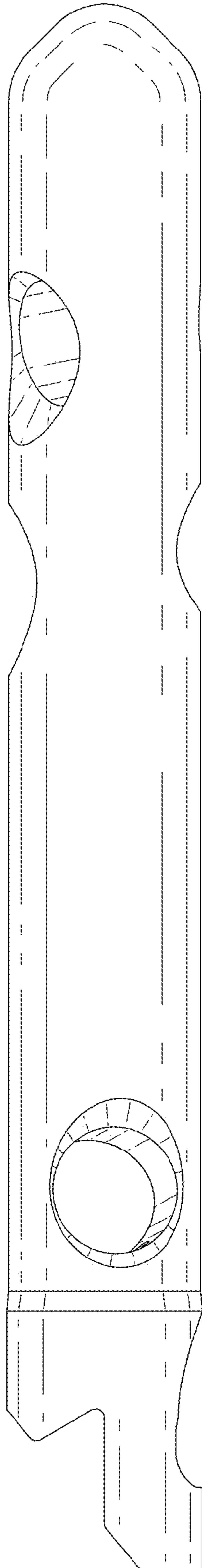


FIG. 8

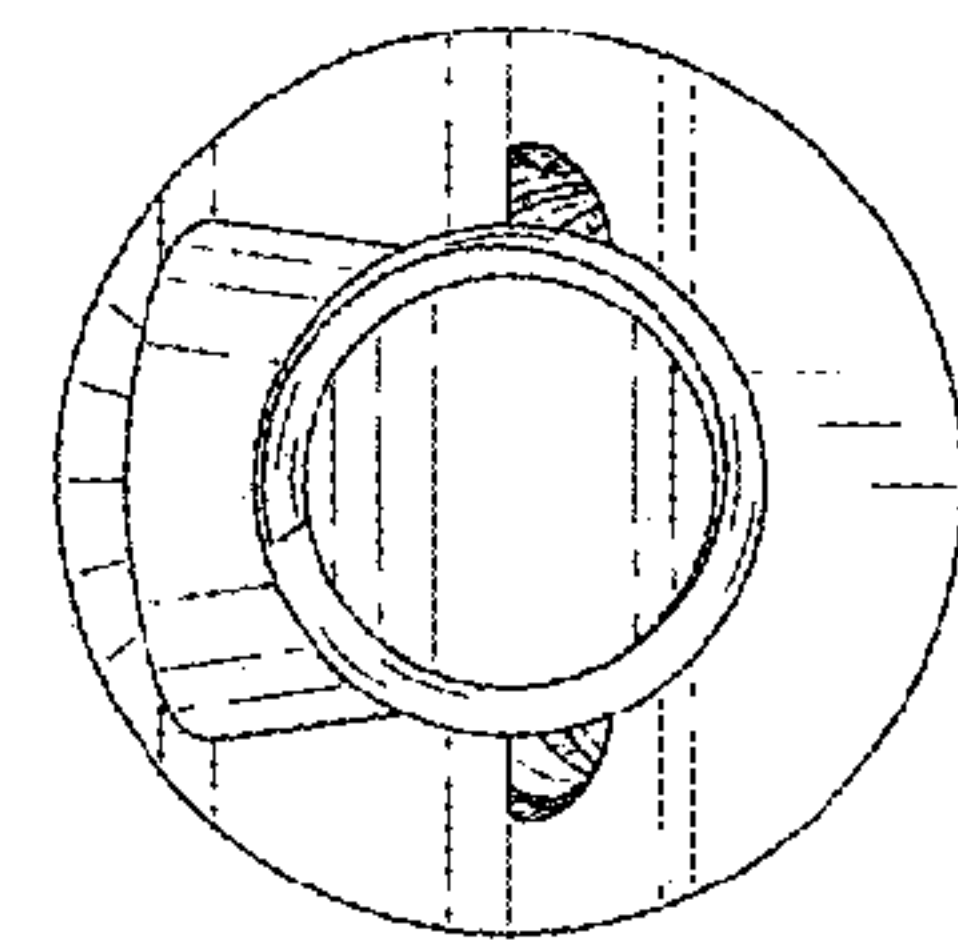


FIG. 9

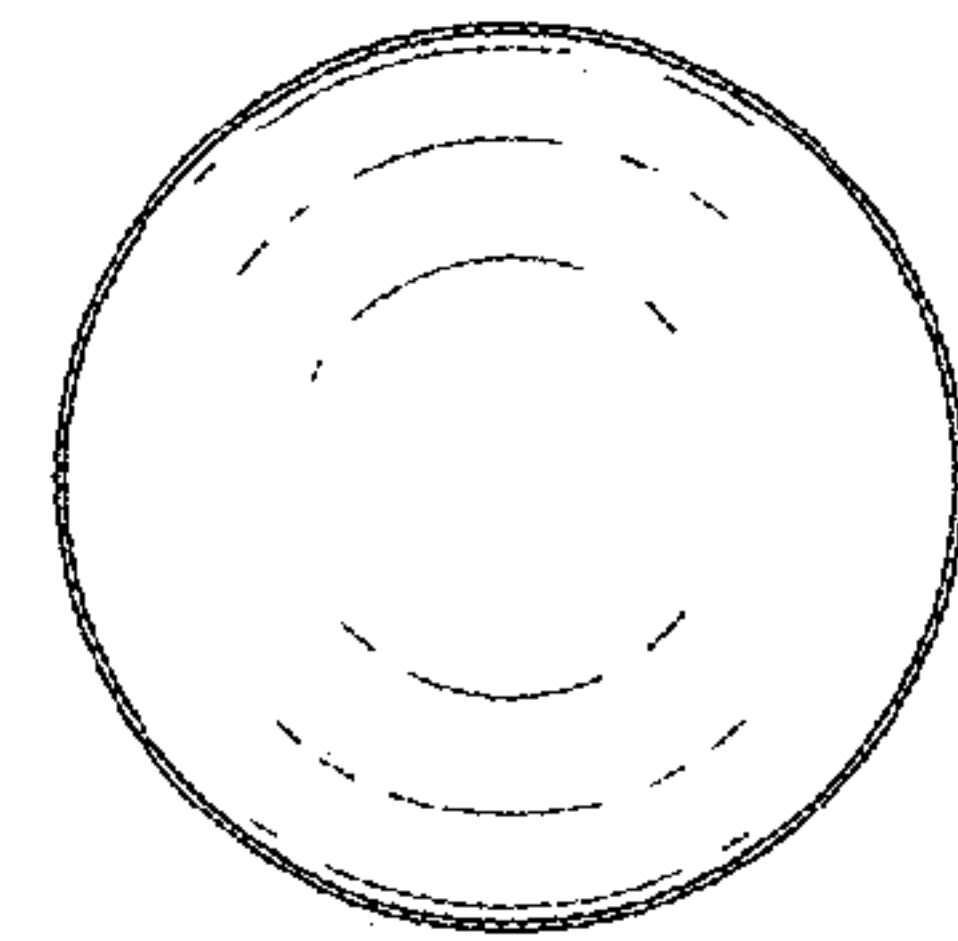


FIG. 10