



US00D904612S

(12) **United States Design Patent** (10) **Patent No.:** **US D904,612 S**
Wynn et al. (45) **Date of Patent:** **** Dec. 8, 2020**

(54) **CARTRIDGE FOR LINEAR SURGICAL STAPLER**

(71) Applicant: **ETHICON LLC**, Guaynabo, PR (US)

(72) Inventors: **Carol J. Wynn**, Kings Mills, OH (US);
Michael E. Setser, Burlington, KY (US); **Prudence A. Vulhop**, Fort Wright, KY (US)

(73) Assignee: **Ethicon LLC**, Guaynabo, PR (US)

(**) Term: **15 Years**

(21) Appl. No.: **29/659,845**

(22) Filed: **Aug. 13, 2018**

(51) **LOC (12) Cl.** **24-02**

(52) **U.S. Cl.**
USPC **D24/145**

(58) **Field of Classification Search**
USPC D24/145
CPC ... A61B 17/105; A61B 17/068; A61B 17/064;
A61B 17/072; A61B 17/0682; A61B
2017/07278; A61B 2017/07228; A61B
2017/07235; A61B 2017/07242
See application file for complete search history.

(56) **References Cited**

U.S. PATENT DOCUMENTS

D297,764 S *	9/1988	Hunt	D24/145
D605,762 S	12/2009	Nalagatla et al.		
8,387,848 B2 *	3/2013	Johnson	A61B 17/068 227/175.1
9,131,940 B2 *	9/2015	Huitema	A61B 17/0682
D831,209 S *	10/2018	Huitema	D24/145
D847,989 S *	5/2019	Shelton, IV	D24/145
D850,617 S *	6/2019	Shelton, IV	D24/145
2015/0144679 A1 *	5/2015	Scirica	A61B 17/105 227/180.1

2016/0106426 A1 *	4/2016	Shelton, IV	A61B 17/072 227/176.1
2016/0106427 A1 *	4/2016	Shelton, IV	A61B 17/072 227/180.1
2016/0270789 A1 *	9/2016	Gupta	A61B 17/105
2016/0338702 A1 *	11/2016	Ehrenfels	A61B 17/105
2018/0168634 A1 *	6/2018	Harris	A61B 17/0682
2019/0105047 A1 *	4/2019	Nalagatla	A61B 17/105

(Continued)

FOREIGN PATENT DOCUMENTS

JP	1339813 S	9/2008
JP	1603667 S	5/2018

(Continued)

OTHER PUBLICATIONS

Indian First Examination Report dated Feb. 13, 2019 for Application No. 314192-001, 23 pages.

(Continued)

Primary Examiner — Wan Laymon

(74) *Attorney, Agent, or Firm* — Frost Brown Todd LLC

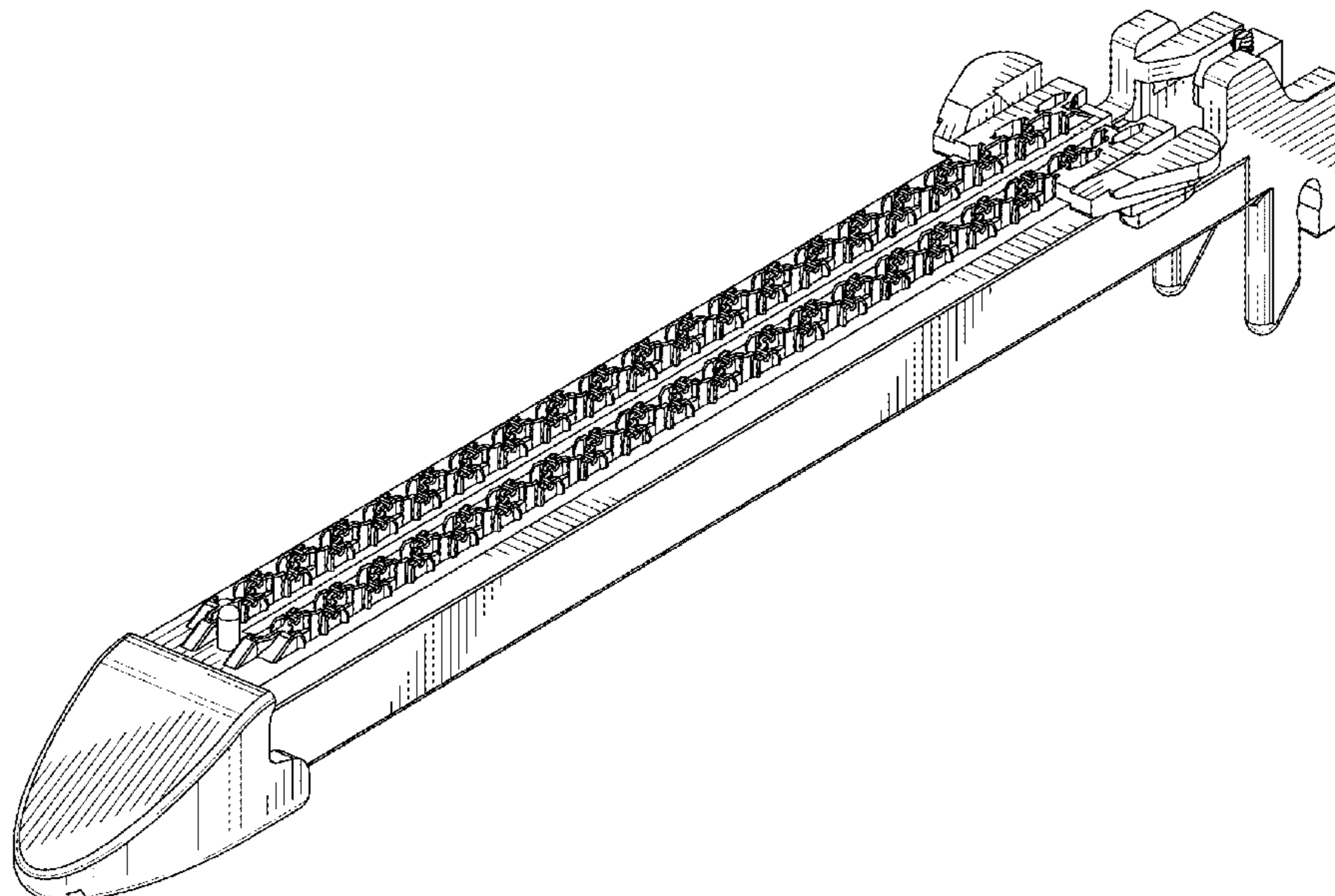
(57) **CLAIM**

The ornamental design for a cartridge for linear surgical stapler, as shown and described.

DESCRIPTION

FIG. 1 is a perspective view of a cartridge for linear surgical stapler, showing our new design;
FIG. 2 is a front elevational view of the cartridge of FIG. 1;
FIG. 3 is a rear elevational view of the cartridge of FIG. 1;
FIG. 4 is a right elevational view of the cartridge of FIG. 1;
FIG. 5 is a left elevational view of the cartridge of FIG. 1;
FIG. 6 is a top plan view of the cartridge of FIG. 1; and,
FIG. 7 is a bottom plan view of the cartridge of FIG. 1.

1 Claim, 4 Drawing Sheets



(56)

References Cited

U.S. PATENT DOCUMENTS

2019/0159777 A1* 5/2019 Ehrenfels A61B 17/105
2019/0282233 A1* 9/2019 Burbank A61B 17/07207
2019/0328390 A1* 10/2019 Harris A61B 17/0682

FOREIGN PATENT DOCUMENTS

JP 1603718 S 5/2018
JP 1603719 S 5/2018
JP 1603720 S 5/2018
JP 1603722 S 5/2018

OTHER PUBLICATIONS

Indian First Examination Report dated Feb. 12, 2019 for Application No. 314192-002, 24 pages.
Indian First Examination Report dated Feb. 11, 2019 for Application No. 314192-003, 24 pages.
Indian First Examination Report dated Feb. 18, 2019 for Application No. 314192-004, 2 pages.

Indian First Examination Report dated Feb. 18, 2019 for Application No. 314192-005, 24 pages.
Indian First Examination Report dated Feb. 27, 2019 for Application No. 314192-006, 23 pages.
Indian First Examination Report dated Feb. 19, 2019 for Application No. 314192-007, 23 pages.
Design U.S. Appl. No. 29/659,843, entitled "Linerar Surgical Stapler," filed Aug. 13, 2018.
Design U.S. Appl. No. 29/659,847, entitled "Cartridge for Linerar Surgical Stapler," filed Aug. 13, 2018.
Design U.S. Appl. No. 29/659,843.
Design U.S. Appl. No. 29/659,847.
Japanese Office Action dated Oct. 1, 2019 for Design Application JP 2019-002784, 1 pg.
Japanese Office Action dated Oct. 1, 2019 for Design Application JP 2019-002786, 1 pg.
Japanese Office Action dated Oct. 29, 2019 for Design Application JP 2019-016444, 1 pg.
Japanese Office Action dated Oct. 29, 2019 for Design Application JP 2019-016447, 1 pg.

* cited by examiner

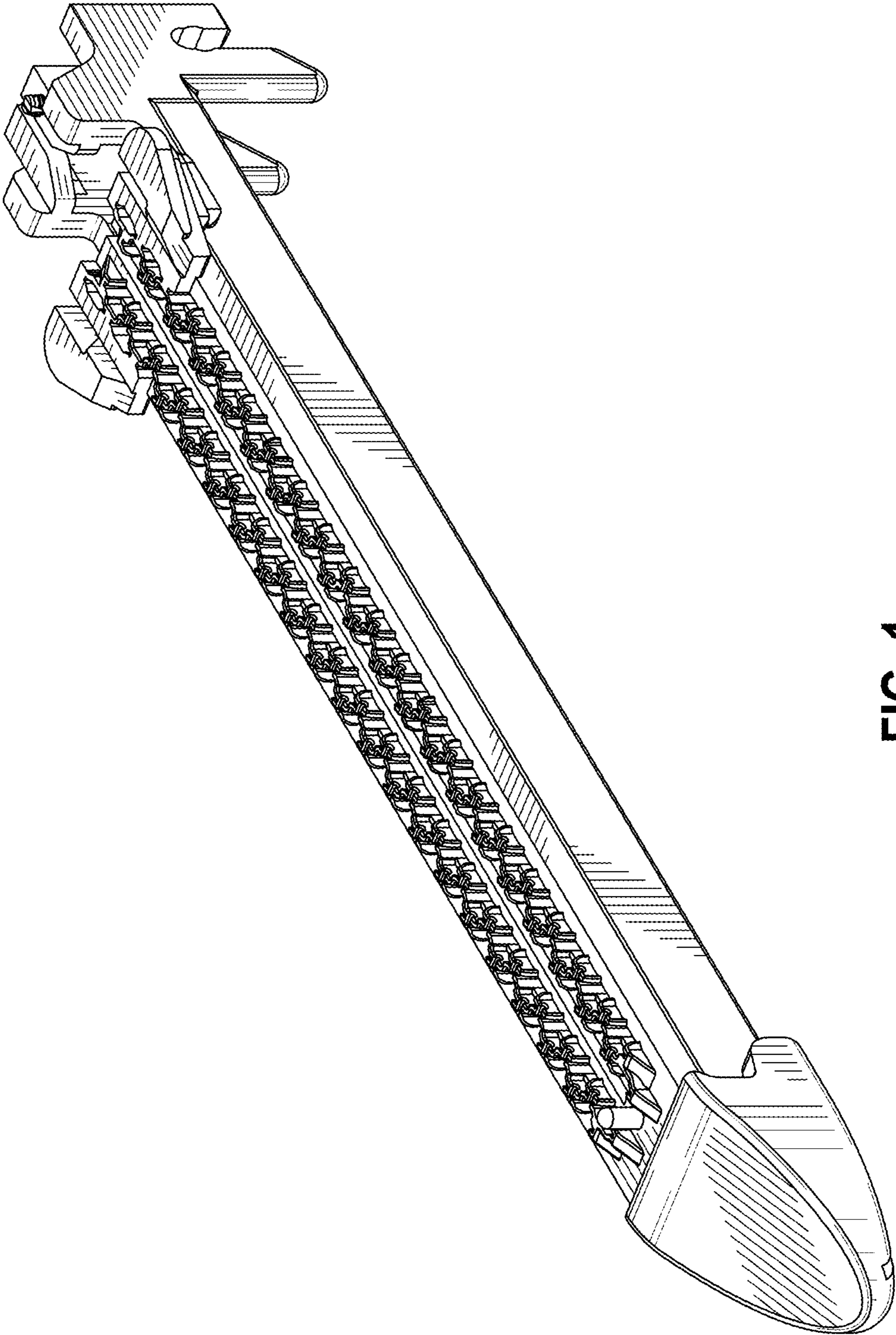


FIG. 1

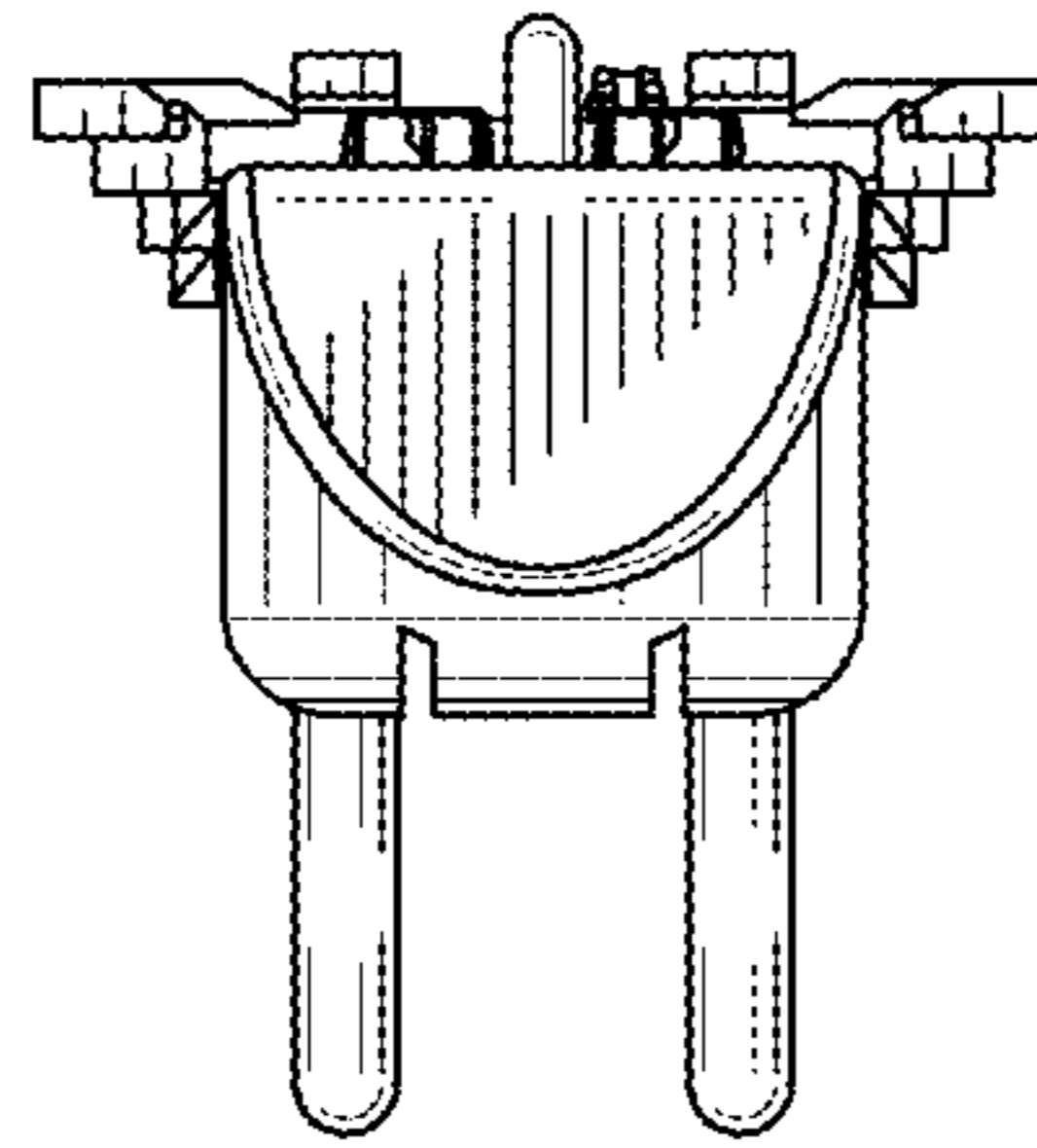


FIG. 2

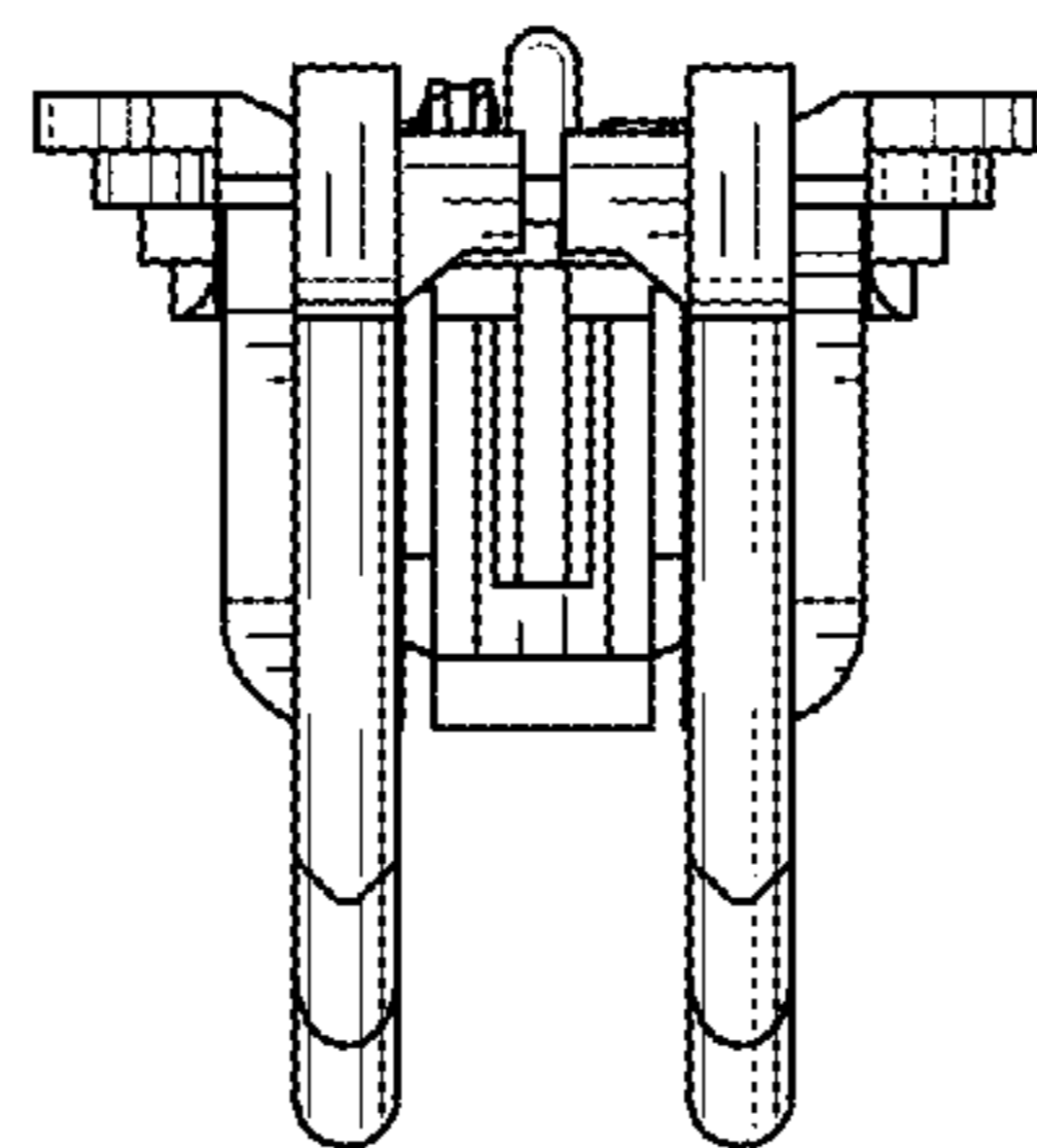


FIG. 3

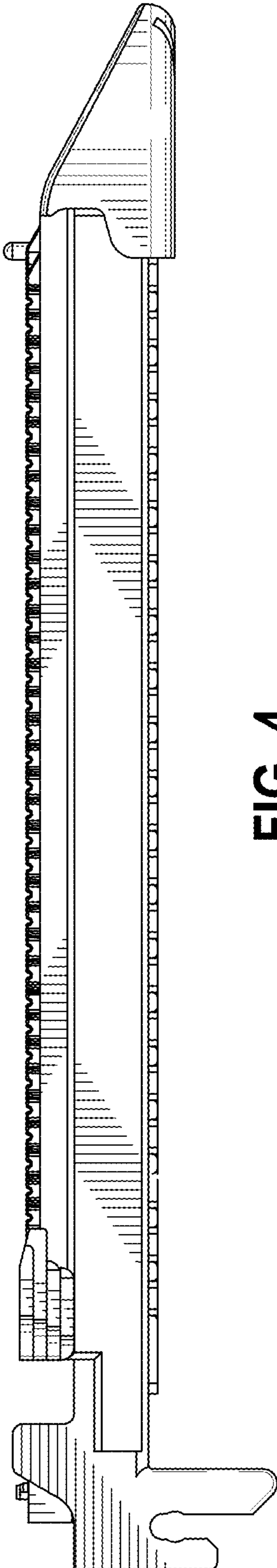


FIG. 4

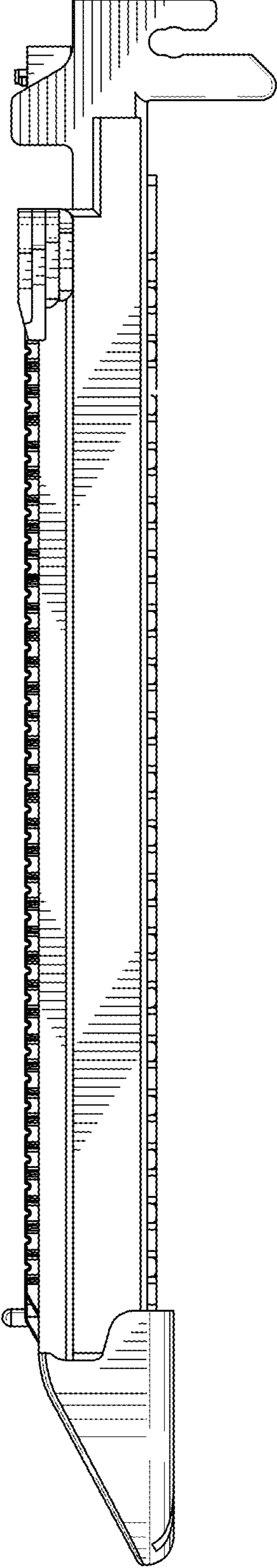


FIG. 5

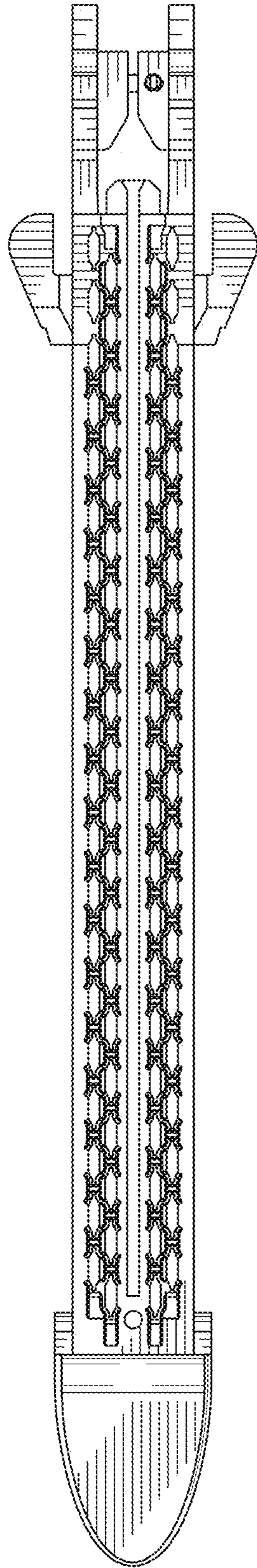


FIG. 6

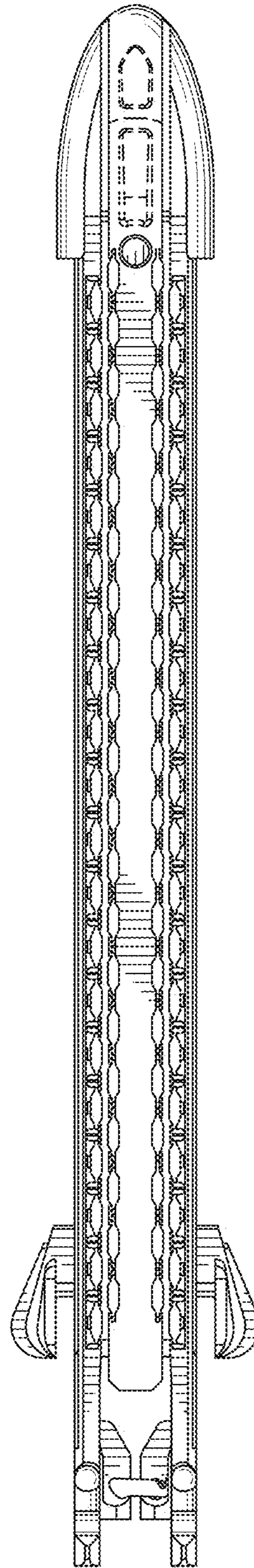


FIG. 7