



US00D904610S

(12) **United States Design Patent**  
**Dacosta et al.**

(10) **Patent No.:** **US D904,610 S**

(45) **Date of Patent:** **\*\* Dec. 8, 2020**

(54) **CUTTING GUIDE**

(71) Applicant: **Paragon 28, Inc.**, Englewood, CO (US)

(72) Inventors: **Albert Dacosta**, Lone Tree, CO (US);  
**Laura Zagrocki Brinker**, Lone Tree,  
CO (US); **Randy Allard**, Golden, CO  
(US)

(73) Assignee: **Paragon 28, Inc.**, Englewood, CO (US)

(\*\*) Term: **15 Years**

(21) Appl. No.: **29/686,948**

(22) Filed: **Apr. 9, 2019**

(51) **LOC (12) Cl.** ..... **28-01**

(52) **U.S. Cl.**  
USPC ..... **D24/140**

(58) **Field of Classification Search**  
USPC ..... D24/133, 135, 140, 146, 147, 149, 155,  
D24/171; 606/53, 87, 96, 98, 102, 167;  
600/218  
CPC ..... A61B 17/00; A61B 17/15; A61B 17/17;  
A61B 17/32; A61B 17/1775; A61B  
34/10; A61B 34/20; A61F 2002/4687  
See application file for complete search history.

(56) **References Cited**

U.S. PATENT DOCUMENTS

4,718,413	A *	1/1988	Johnson	.....	A61B 17/157	606/82
D355,254	S *	2/1995	Krafft	.....	D10/64	
5,458,602	A *	10/1995	Goble	.....	A61B 17/1714	606/96
5,683,396	A *	11/1997	Tokish	.....	A61B 17/154	606/79
5,735,856	A *	4/1998	McCue	.....	A61B 17/155	606/87

7,794,465 B2 \* 9/2010 Marik ..... A61B 17/1671  
606/87  
D629,900 S \* 12/2010 Fisher ..... D24/146  
D724,730 S \* 3/2015 Chaney ..... D24/140

(Continued)

*Primary Examiner* — Wan Laymon

*Assistant Examiner* — Clint A Samuel

(74) *Attorney, Agent, or Firm* — Heslin Rothenberg  
Farley & Mesiti P.C.

(57) **CLAIM**

The ornamental design for a cutting guide, as shown and described.

**DESCRIPTION**

FIG. 1 is a front, top perspective view of a cutting guide comprising the new design;

FIG. 2 is a back, bottom perspective view of the design of FIG. 1;

FIG. 3 is a front elevational view of the design of FIG. 1;

FIG. 4 is a back elevational view of the design of FIG. 1;

FIG. 5 is a right elevational view of the design of FIG. 1;

FIG. 6 is a left elevational view of the design of FIG. 1;

FIG. 7 is a top view of the design of FIG. 1;

FIG. 8 is a bottom view of the design of FIG. 1;

FIG. 9 is a front, top perspective view of an alternative embodiment of the cutting guide of FIG. 1;

FIG. 10 is a back, bottom perspective view of the design of FIG. 9;

FIG. 11 is a front elevational view of the design of FIG. 9;

FIG. 12 is a back elevational view of the design of FIG. 9;

FIG. 13 is a right elevational view of the design of FIG. 9;

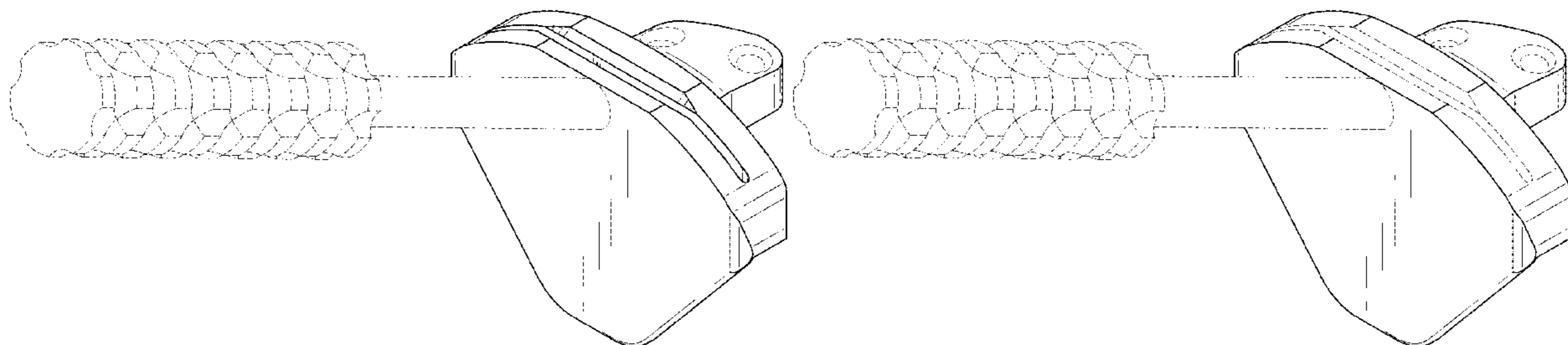
FIG. 14 is a left elevational view of the design of FIG. 9;

FIG. 15 is a top view of the design of FIG. 9; and,

FIG. 16 is a bottom view of the design of FIG. 9.

The broken lines shown in the figures are directed to the environment and are for illustrative purposes only; the broken lines form no part of the claimed cutting guide invention.

**1 Claim, 14 Drawing Sheets**



(56)

References Cited

U.S. PATENT DOCUMENTS

D733,875 S \* 7/2015 Chaney ..... D24/140  
 D745,671 S \* 12/2015 Frey ..... D24/140  
 D794,787 S \* 8/2017 Kheradpir ..... D24/140  
 10,251,654 B2 \* 4/2019 Fritzinger ..... A61B 17/154  
 D853,816 S \* 7/2019 Schaz ..... D8/70  
 D858,765 S \* 9/2019 Frey ..... D24/140  
 D865,173 S \* 10/2019 Hartson ..... D24/140  
 D874,648 S \* 2/2020 Houssiere ..... D24/140  
 D875,931 S \* 2/2020 Asfora ..... D24/140  
 2004/0153087 A1 \* 8/2004 Sanford ..... A61F 2/4684  
 606/88  
 2005/0038440 A1 \* 2/2005 Larson ..... A61B 17/0206  
 606/86 R  
 2006/0155291 A1 \* 7/2006 Farrar ..... A61B 17/15  
 606/87  
 2007/0208346 A1 \* 9/2007 Marnay ..... A61F 2/4684  
 606/86 A  
 2008/0195107 A1 \* 8/2008 Cuckler ..... A61B 17/1764  
 606/83

2010/0212138 A1 \* 8/2010 Carroll ..... G05B 15/02  
 29/446  
 2013/0158556 A1 \* 6/2013 Jones ..... A61B 17/56  
 606/87  
 2013/0325017 A1 \* 12/2013 Lomicka ..... A61B 17/15  
 606/87  
 2013/0325045 A1 \* 12/2013 Wolfson ..... A61B 17/15  
 606/167  
 2014/0100578 A1 \* 4/2014 Metzger ..... A61B 17/58  
 606/88  
 2014/0163559 A1 \* 6/2014 Marnay ..... A61B 17/1604  
 606/83  
 2014/0257305 A1 \* 9/2014 Edwards ..... A61B 17/154  
 606/87  
 2014/0309643 A1 \* 10/2014 Lavallee ..... A61B 17/15  
 606/87  
 2019/0336140 A1 \* 11/2019 Dacosta ..... A61B 17/17  
 2019/0365419 A1 \* 12/2019 Rhodes ..... A61B 34/10  
 2019/0365481 A1 \* 12/2019 Otto ..... A61B 34/10

\* cited by examiner

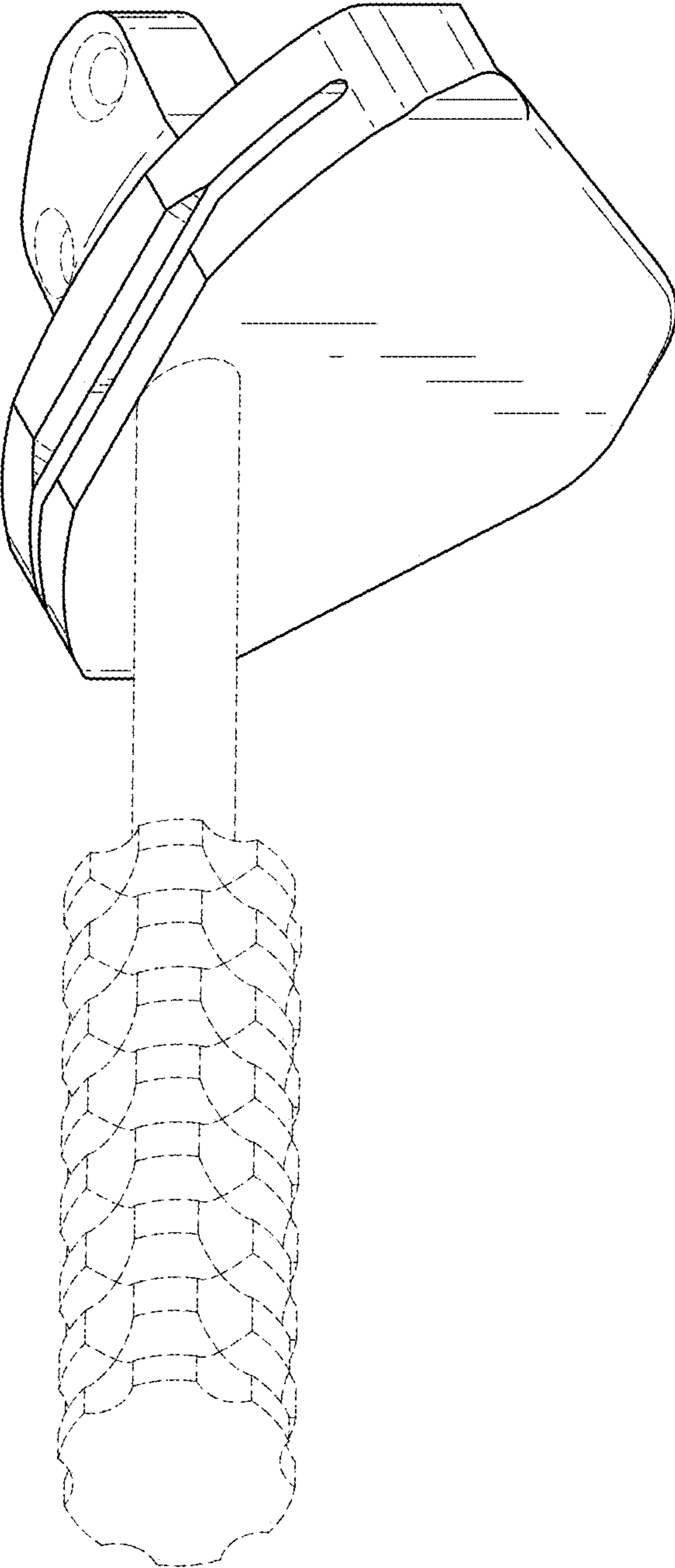


FIG. 1

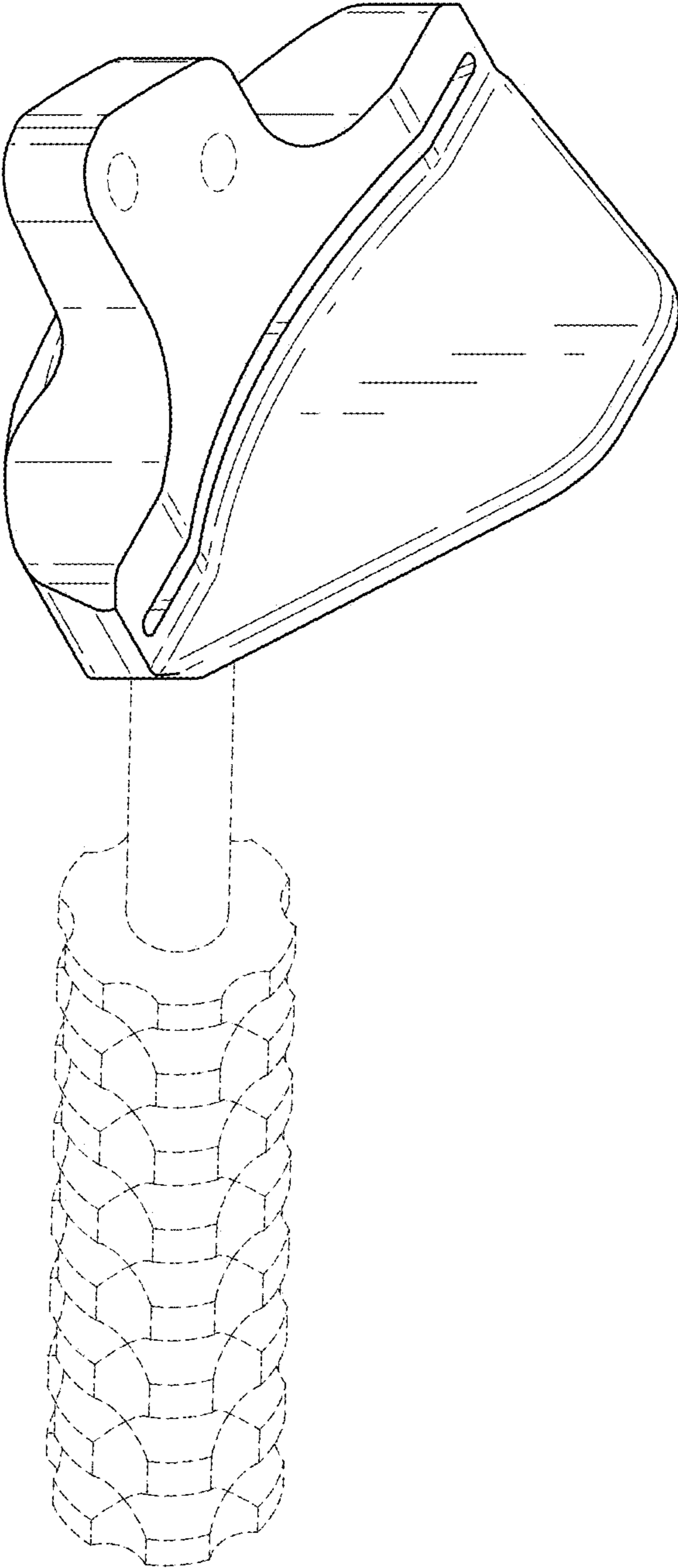


FIG. 2

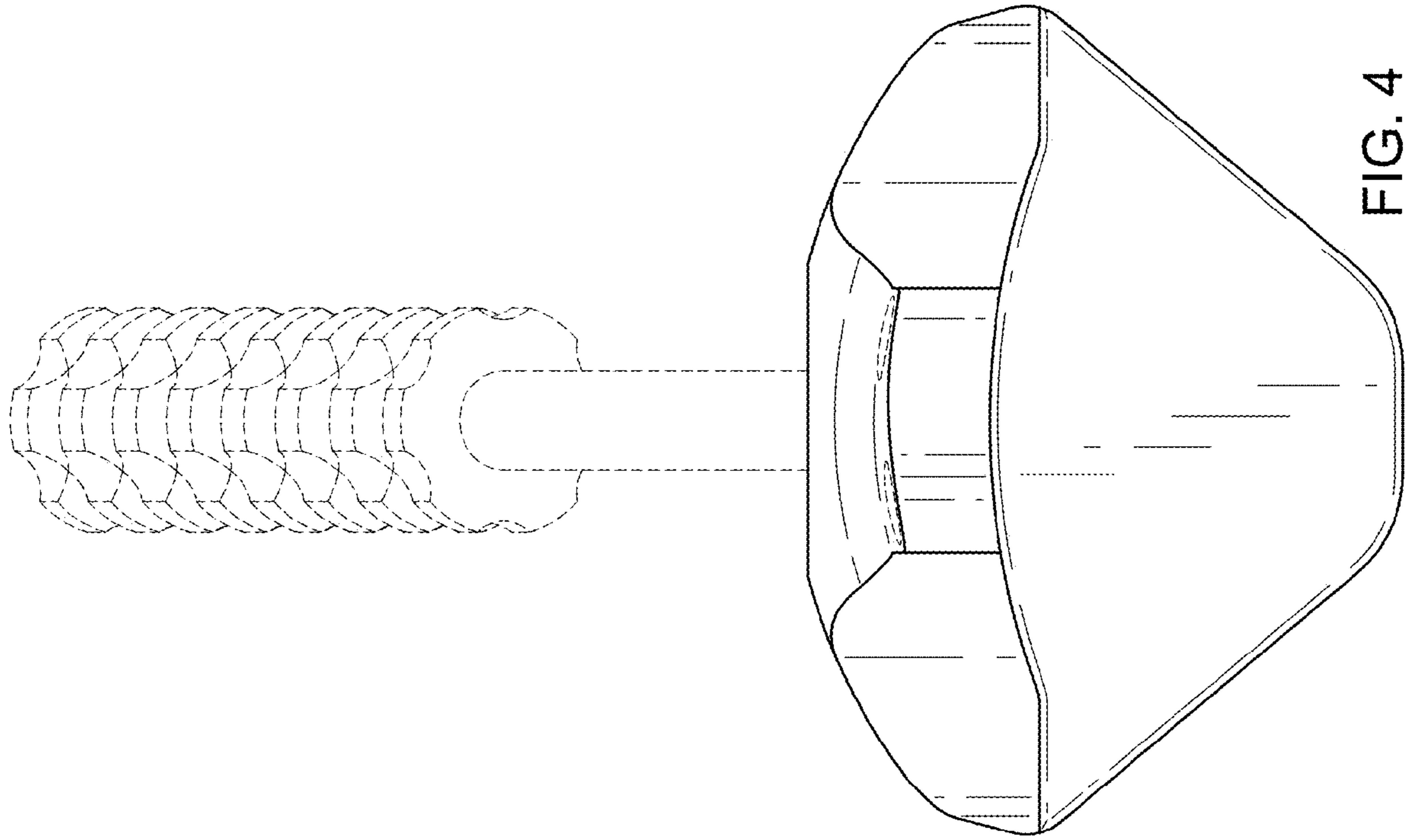


FIG. 4

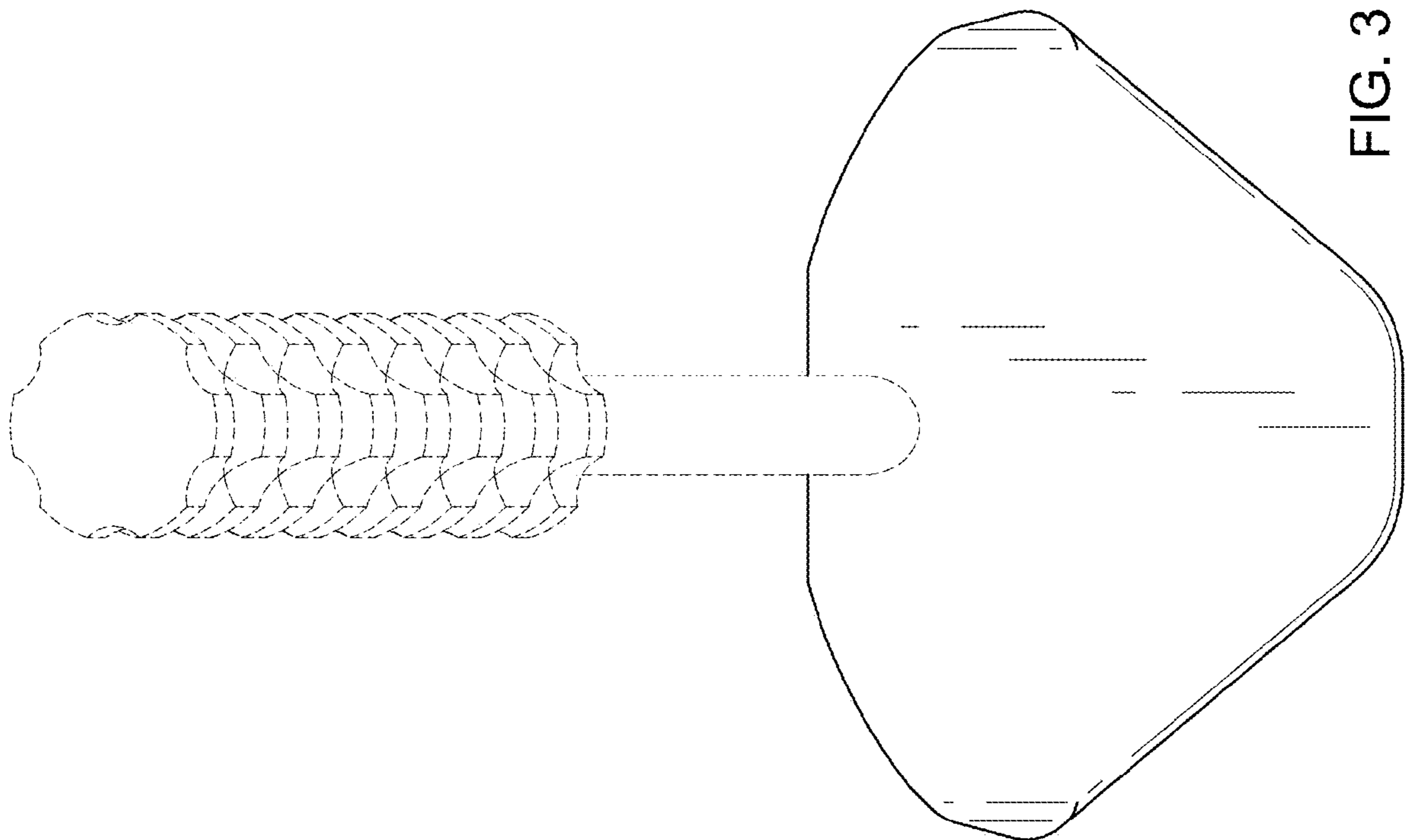


FIG. 3

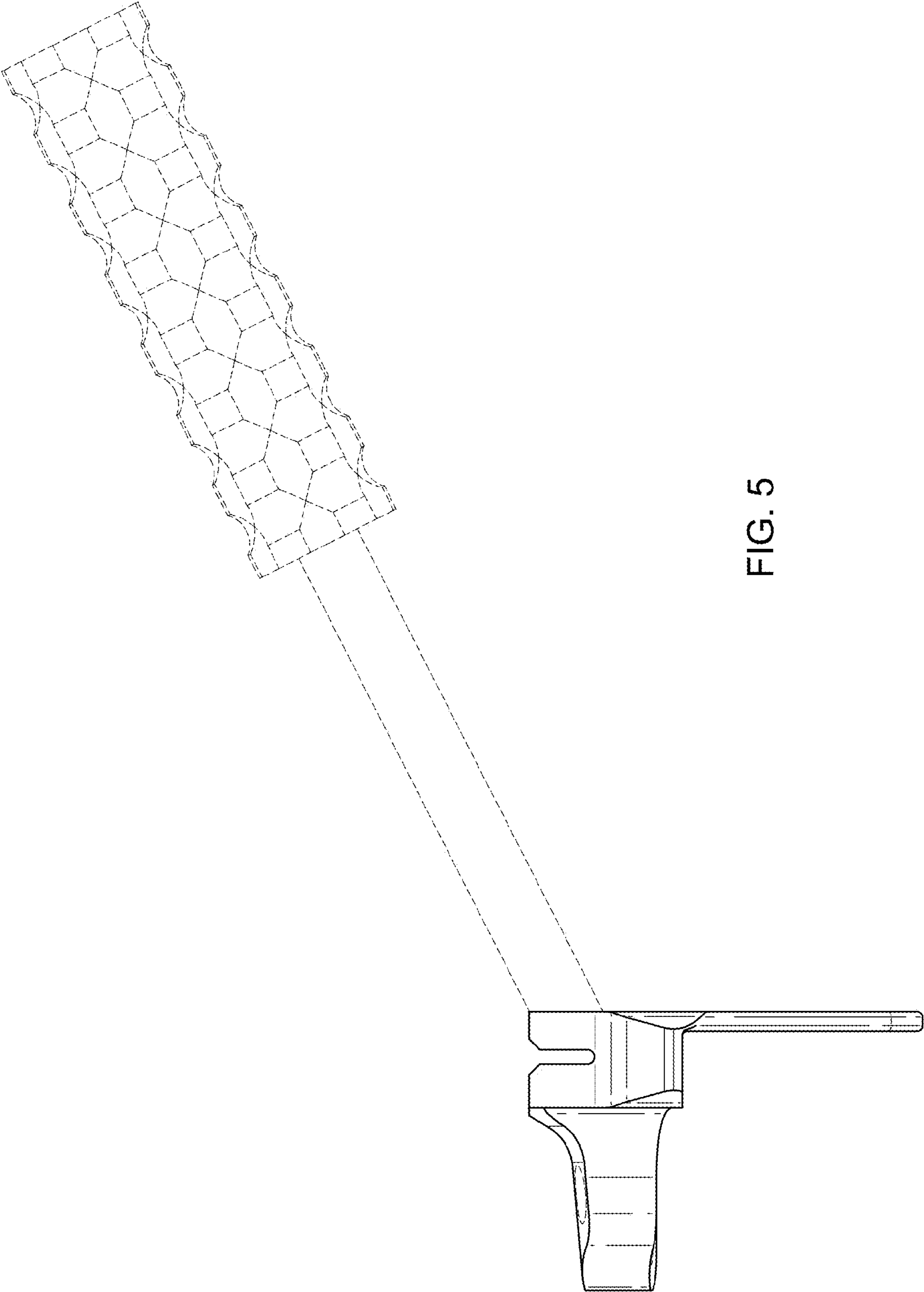


FIG. 5

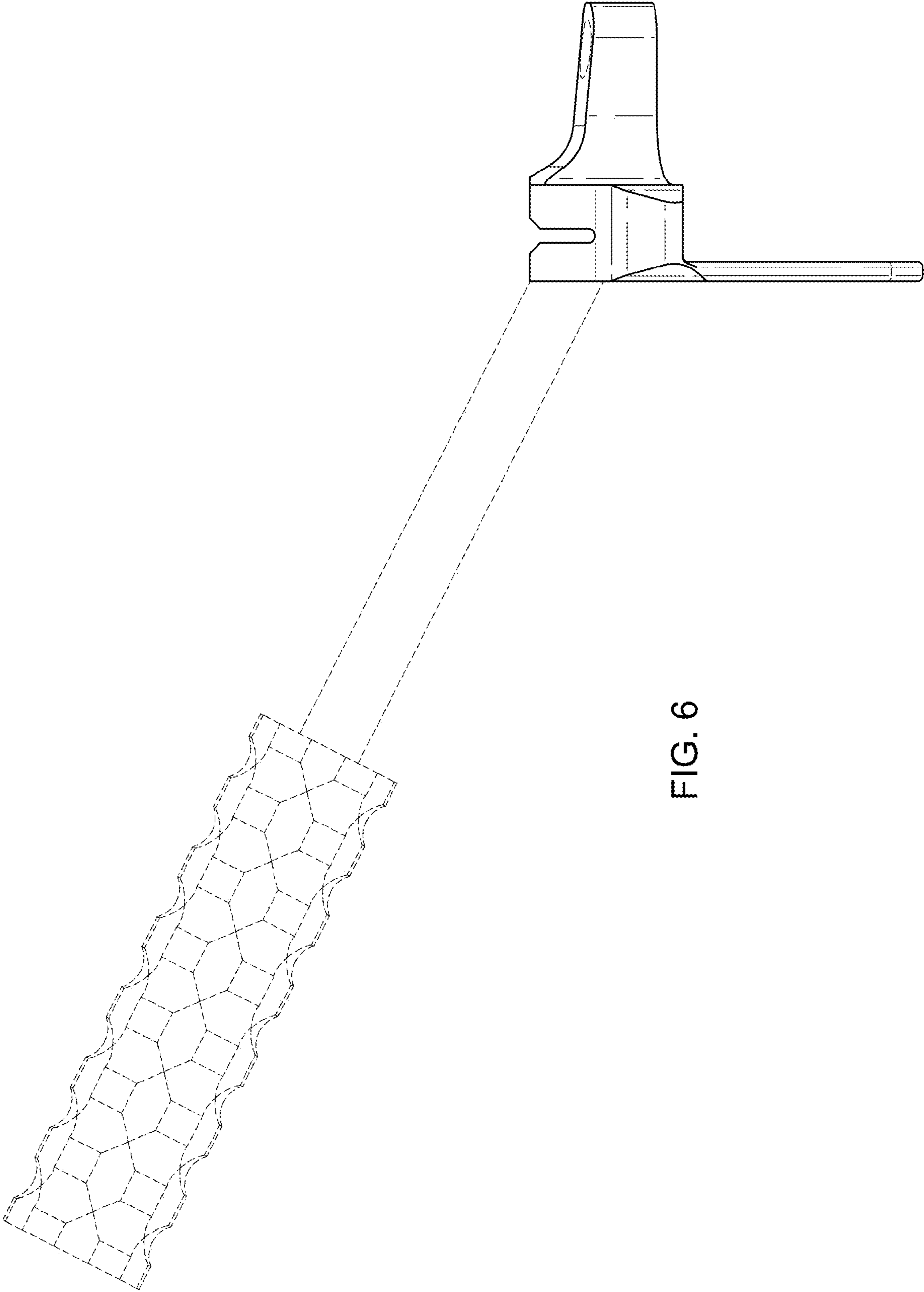


FIG. 6

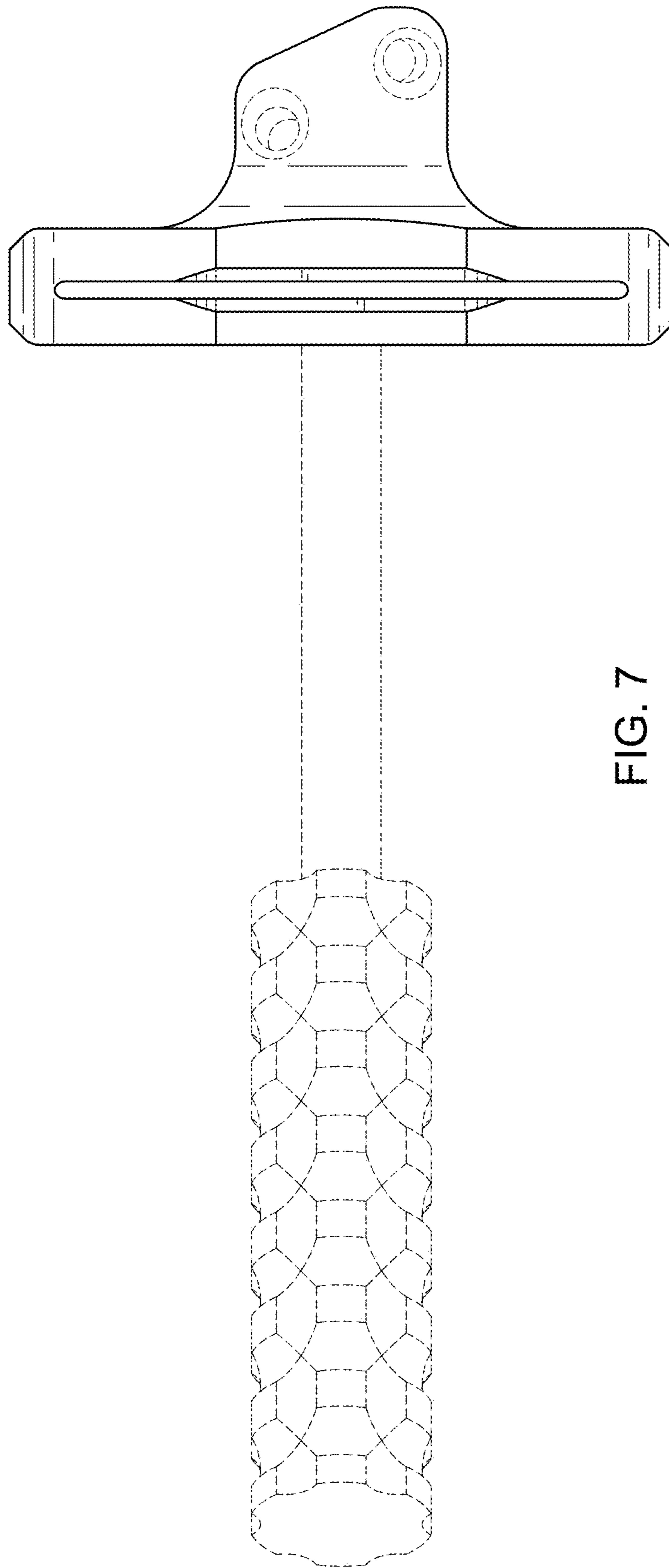


FIG. 7



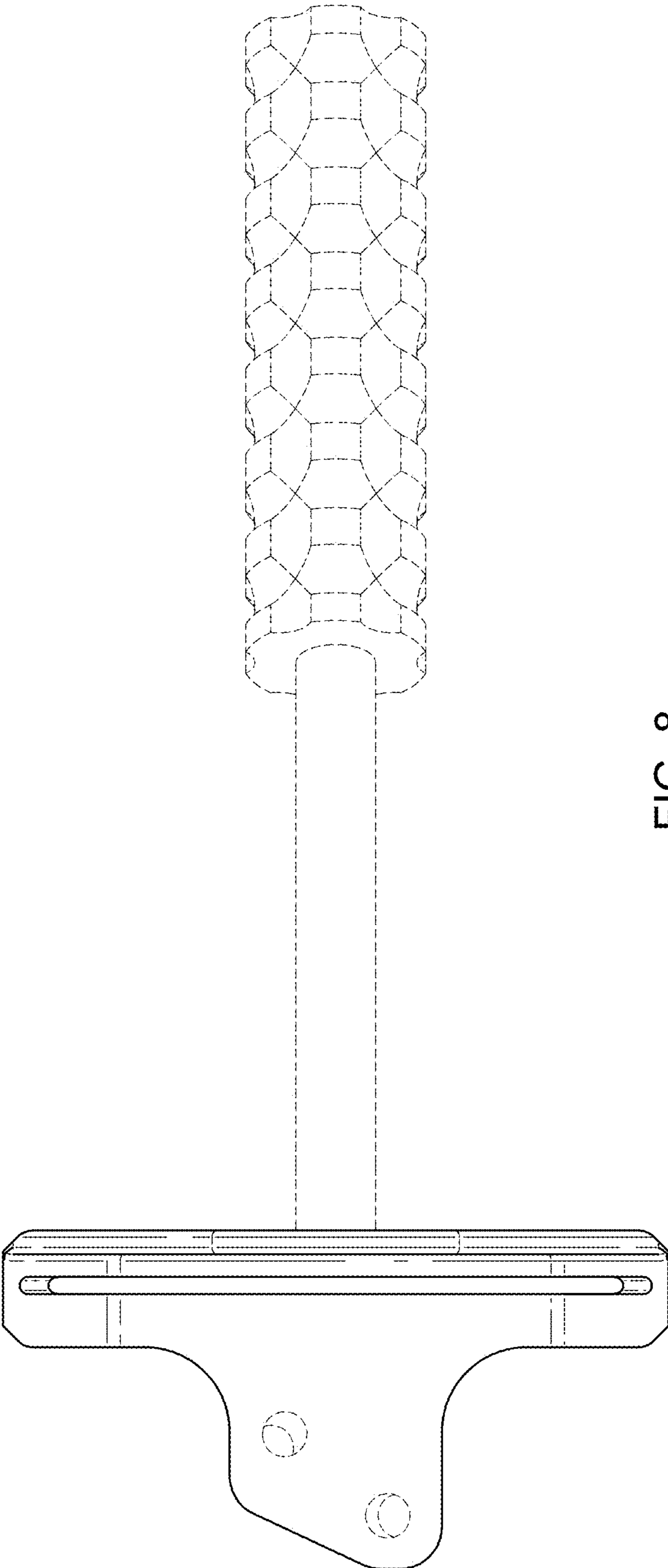


FIG. 8

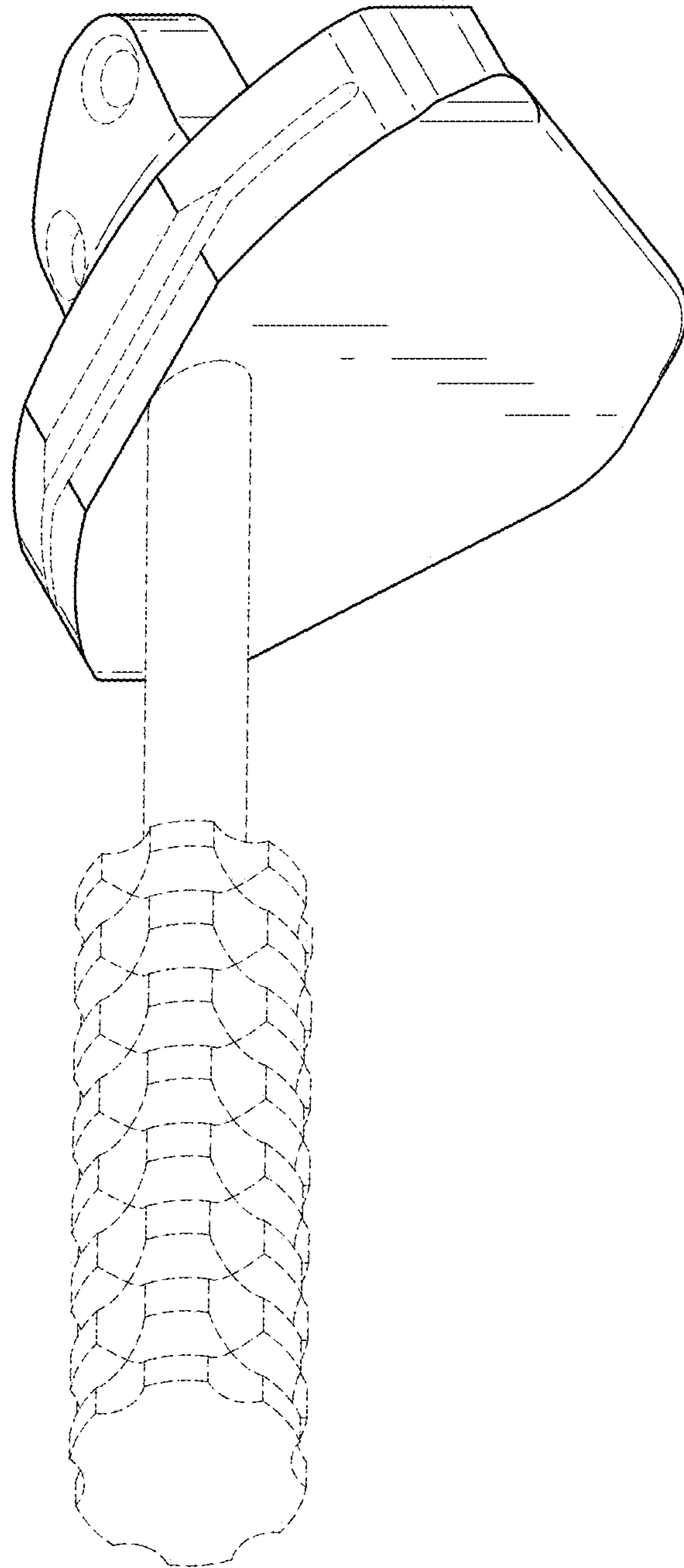


FIG. 9

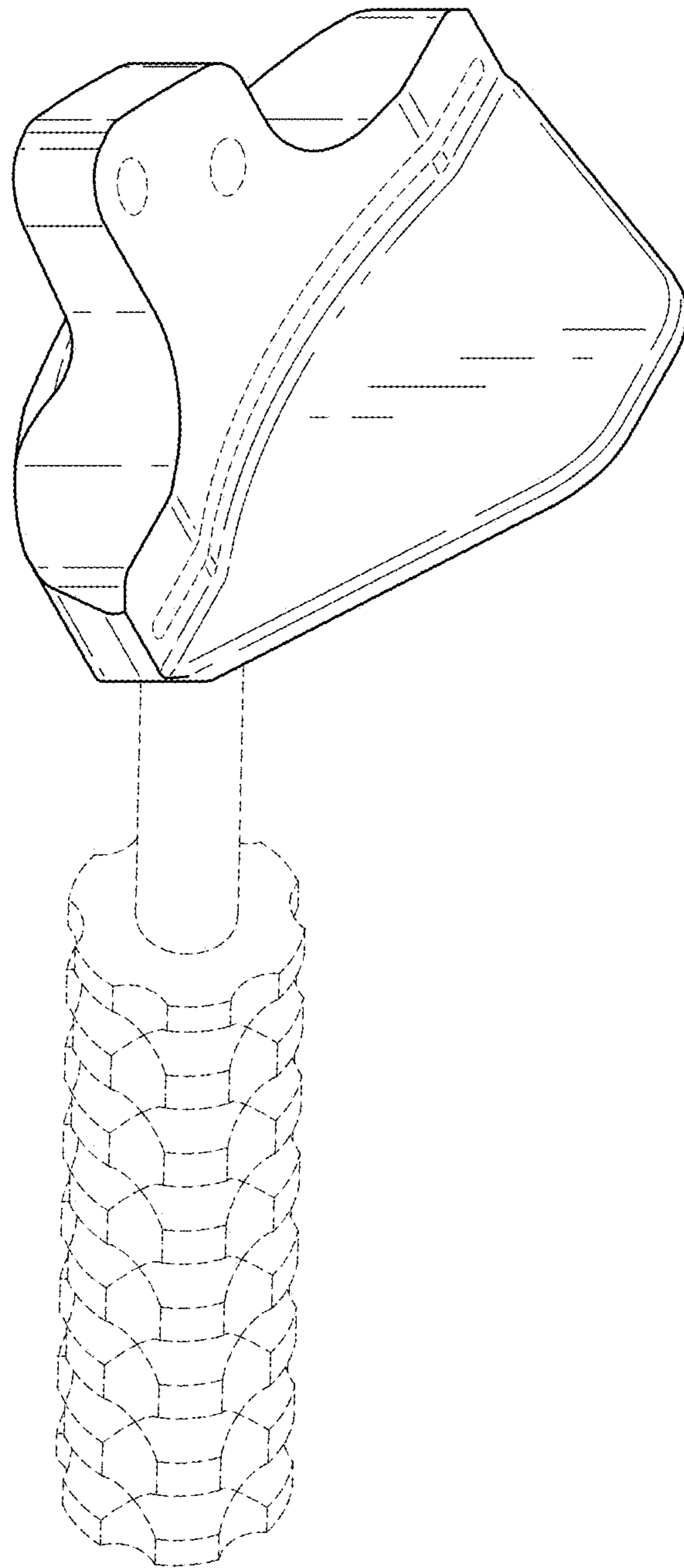


FIG. 10

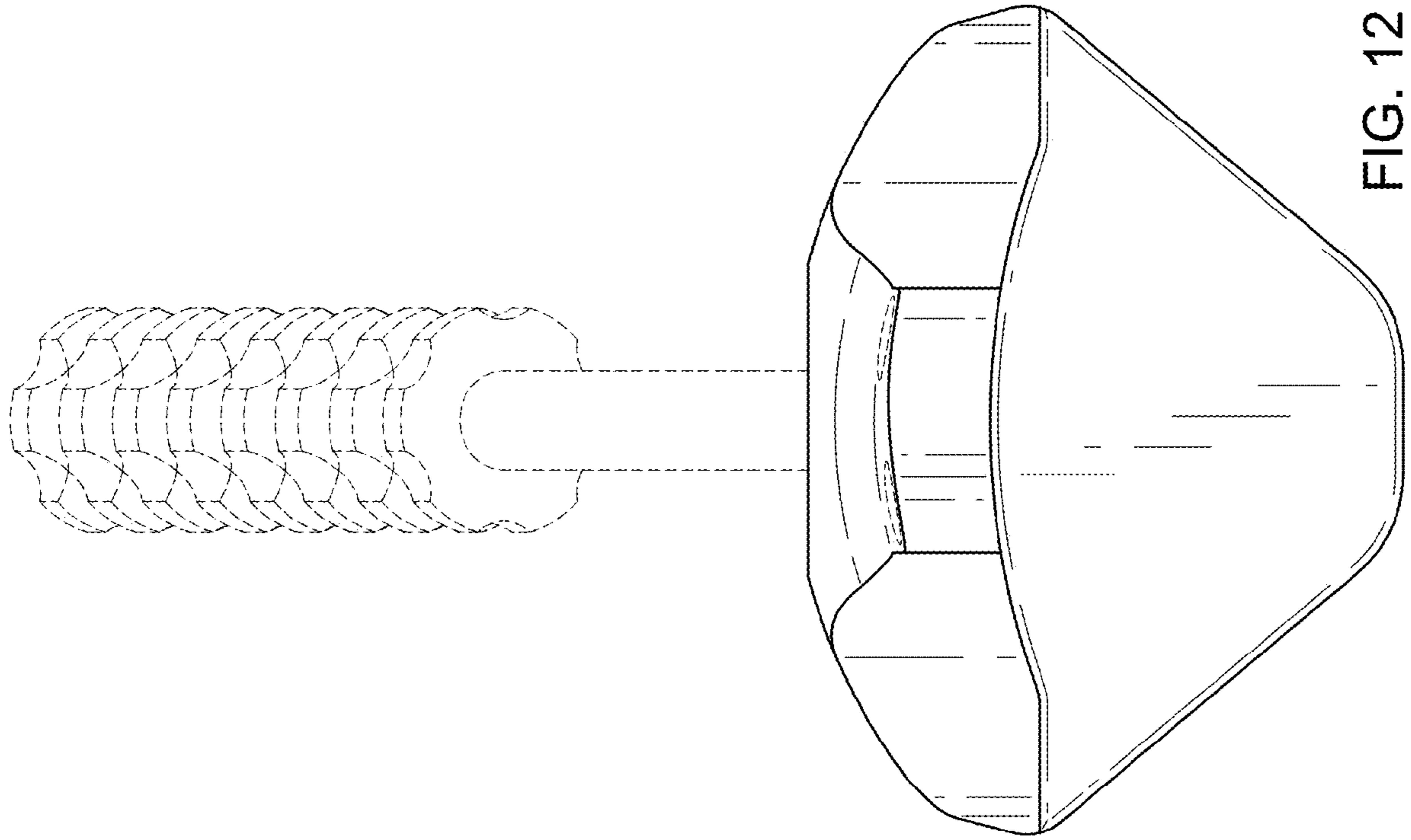


FIG. 12

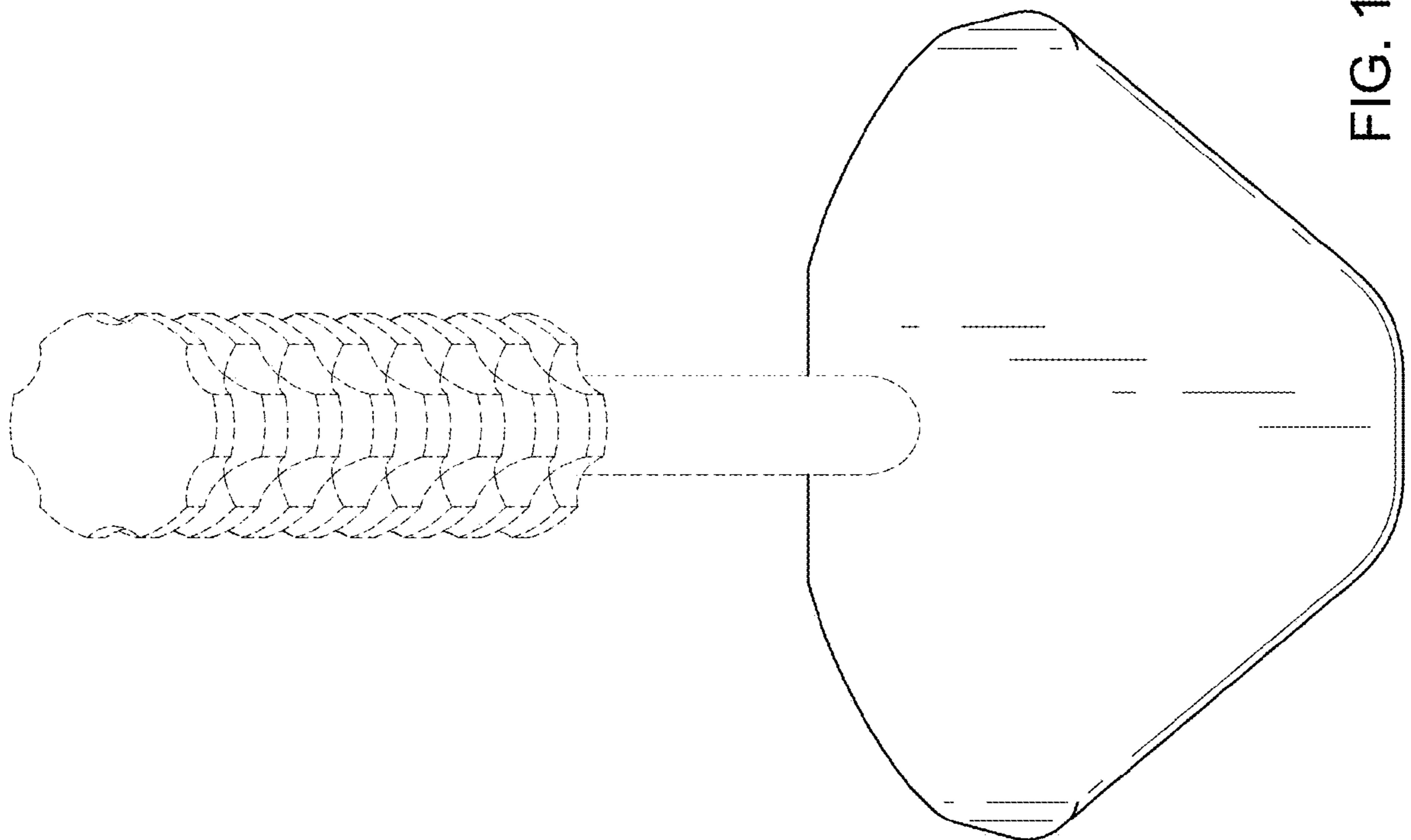


FIG. 11

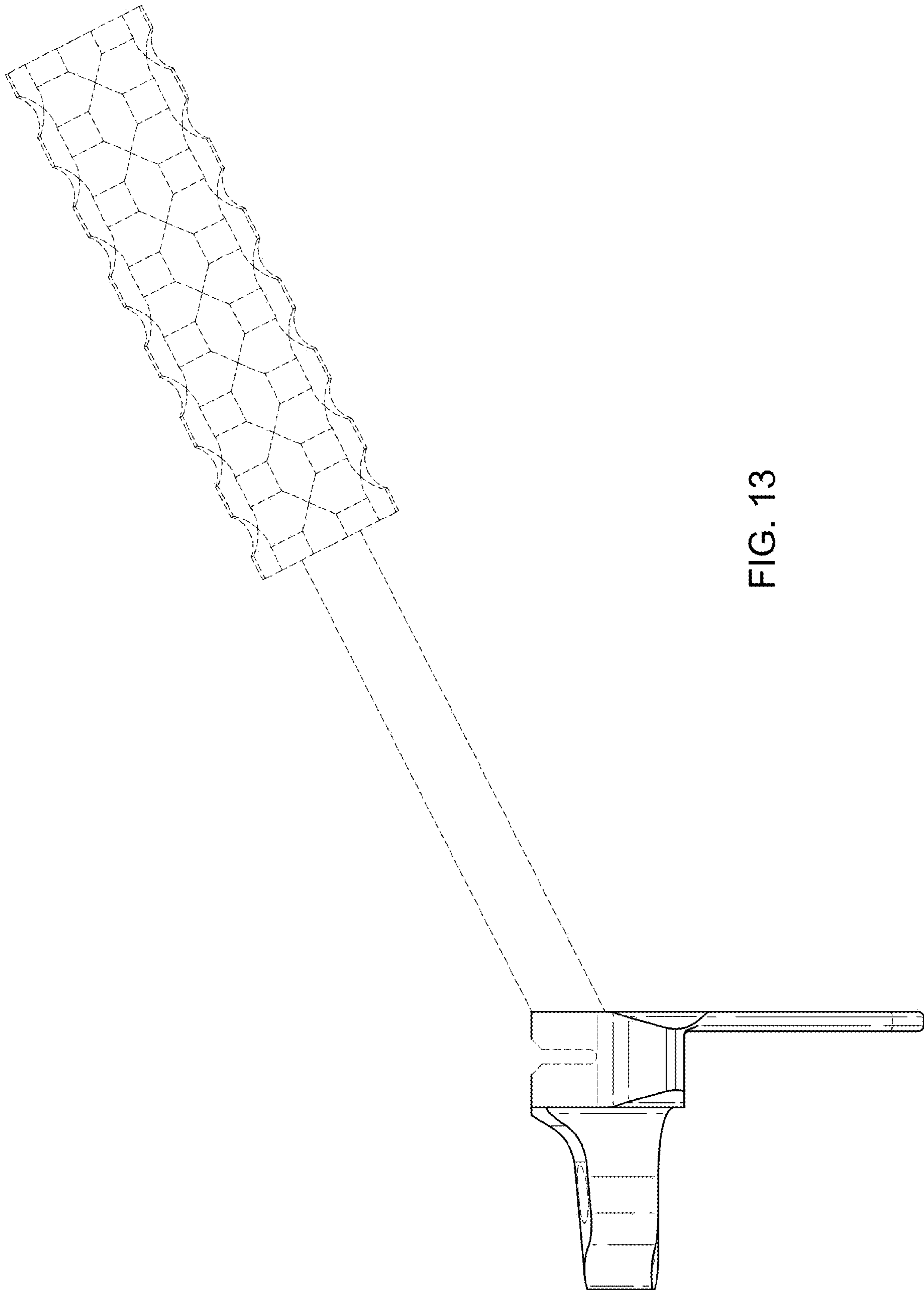


FIG. 13

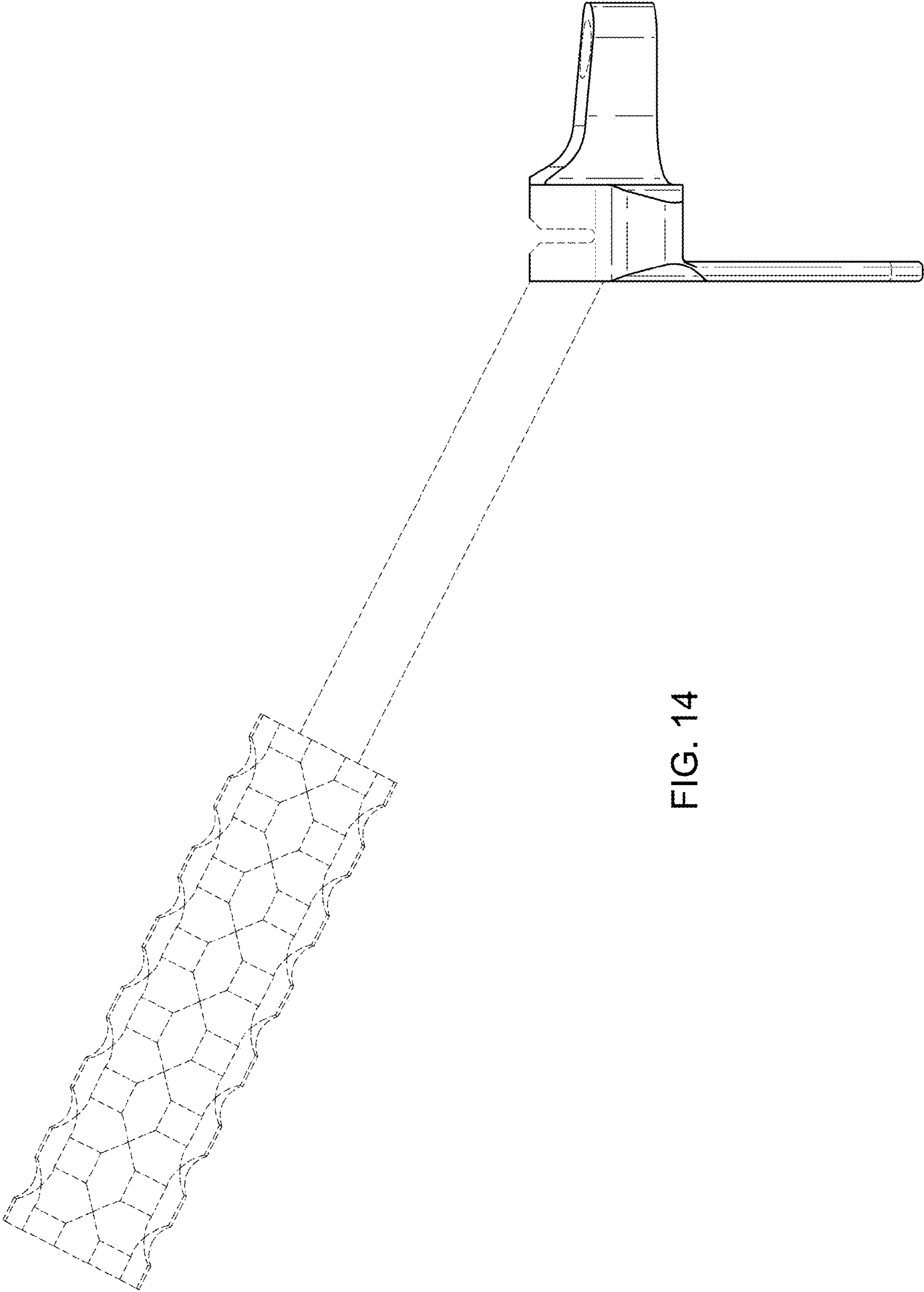


FIG. 14

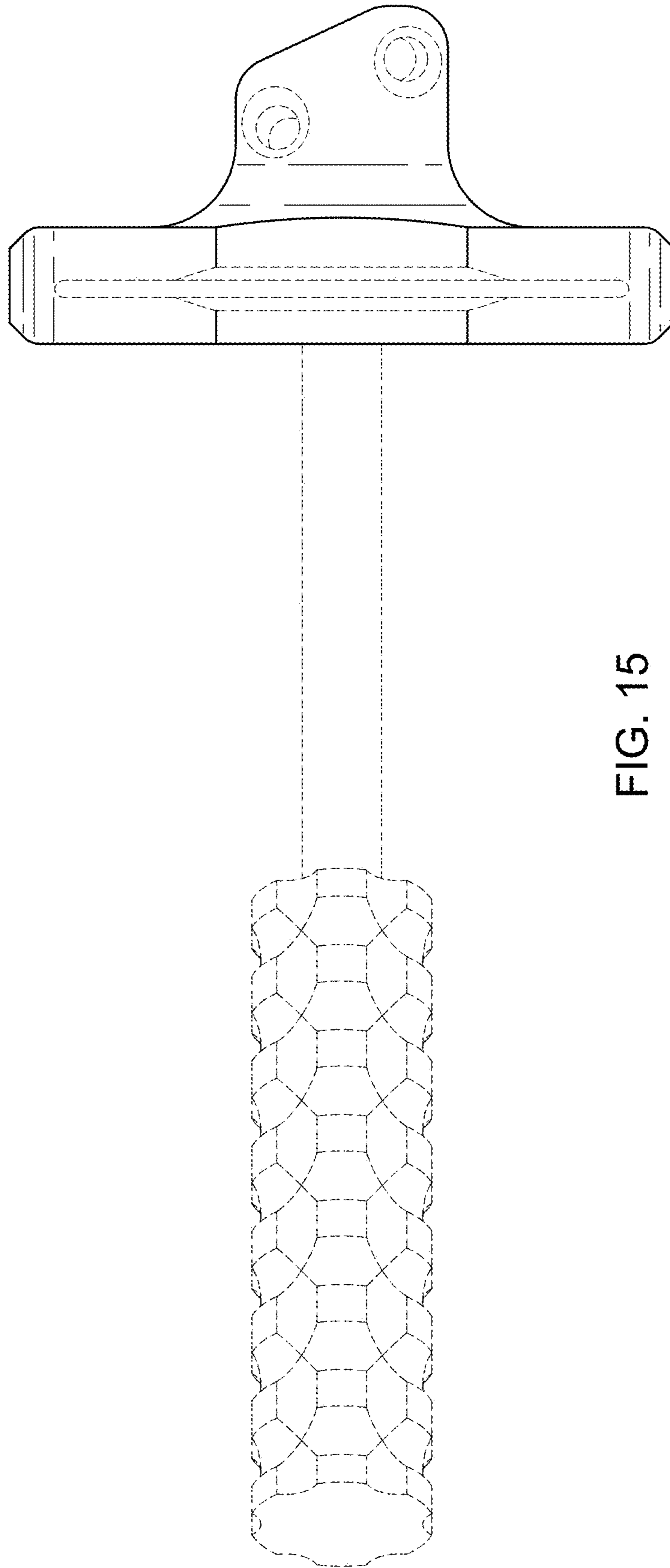


FIG. 15

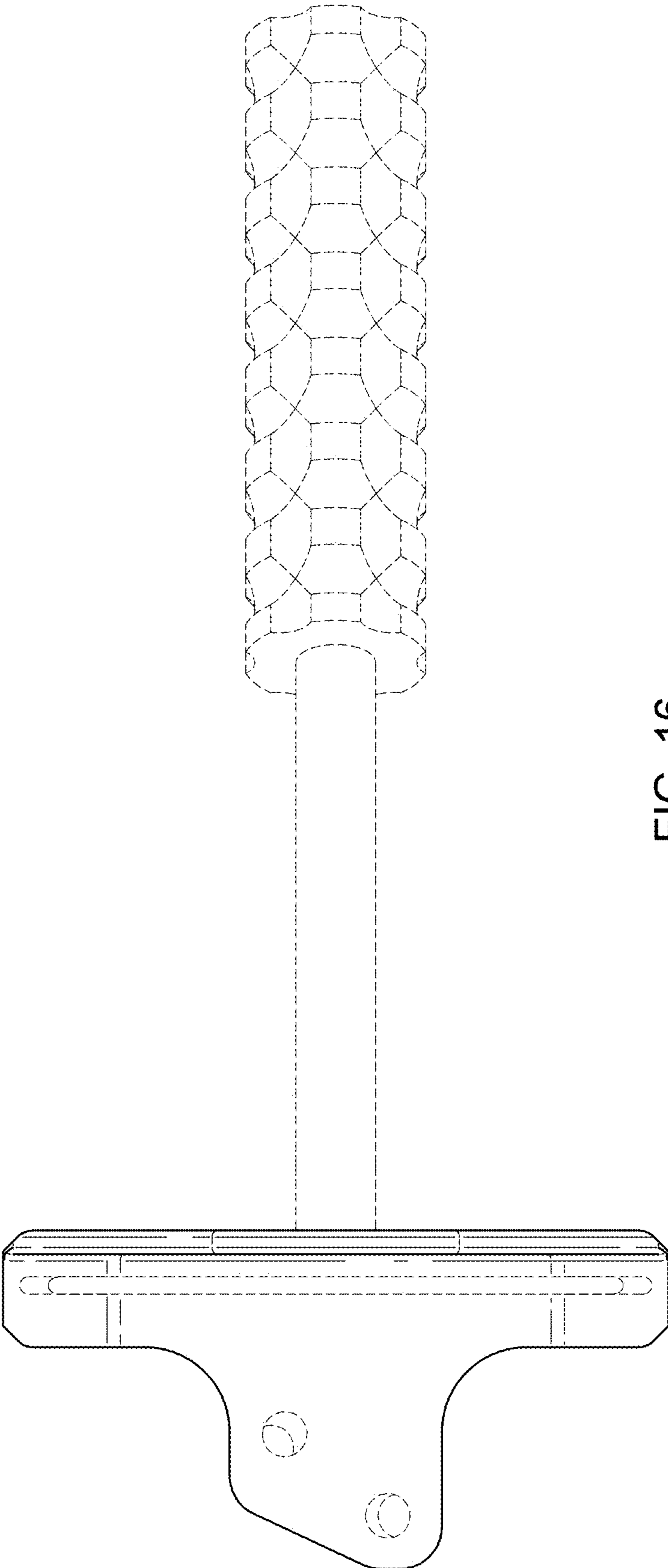


FIG. 16