



US00D904609S

(12) **United States Design Patent**
Dacosta et al.

(10) **Patent No.:** **US D904,609 S**

(45) **Date of Patent:** **** Dec. 8, 2020**

(54) **CUTTING GUIDE**

(71) Applicant: **Paragon 28, Inc.**, Englewood, CO (US)

(72) Inventors: **Albert Dacosta**, Lone Tree, CO (US);
Laura Zagrocki Brinker, Lone Tree,
CO (US); **Randy Allard**, Golden, CO
(US)

(73) Assignee: **Paragon 28, Inc.**, Englewood, CO (US)

(**) Term: **15 Years**

(21) Appl. No.: **29/686,943**

(22) Filed: **Apr. 9, 2019**

(51) **LOC (12) Cl.** **28-01**

(52) **U.S. Cl.**
USPC **D24/140**

(58) **Field of Classification Search**
USPC D24/133, 135, 140, 146, 147, 149, 155,
D24/171; 606/53, 87, 96, 98, 102, 167;
600/218
CPC A61B 17/00; A61B 17/15; A61B 17/17;
A61B 17/32; A61B 17/1775; A61B
34/10; A61B 34/20; A61F 2002/4687
See application file for complete search history.

(56) **References Cited**

U.S. PATENT DOCUMENTS

4,718,413 A * 1/1988 Johnson A61B 17/157
606/82
D355,254 S * 2/1995 Krafft D10/64
5,458,602 A * 10/1995 Goble A61B 17/1714
606/96
5,683,396 A * 11/1997 Tokish A61B 17/154
606/79
5,735,856 A * 4/1998 McCue A61B 17/155
606/87

7,794,465 B2 * 9/2010 Marik A61B 17/1671
606/87
D629,900 S * 12/2010 Fisher D24/146
D724,730 S * 3/2015 Chaney D24/140

(Continued)

Primary Examiner — Wan Laymon

Assistant Examiner — Clint A Samuel

(74) *Attorney, Agent, or Firm* — Heslin Rothenberg
Farley & Mesiti P.C.

(57) **CLAIM**

The ornamental design for a cutting guide, as shown and
described.

DESCRIPTION

FIG. 1 is a front, top perspective view of a cutting guide
comprising the new design;

FIG. 2 is a back, bottom perspective view of the design of
FIG. 1;

FIG. 3 is a front elevational view of the design of FIG. 1;

FIG. 4 is a back elevational view of the design of FIG. 1;

FIG. 5 is a right elevational view of the design of FIG. 1;

FIG. 6 is a left elevational view of the design of FIG. 1;

FIG. 7 is a top view of the design of FIG. 1;

FIG. 8 is a bottom view of the design of FIG. 1;

FIG. 9 is a front, top perspective view of an alternative
embodiment of the cutting guide of FIG. 1;

FIG. 10 is a back, bottom perspective view of the design of
FIG. 9;

FIG. 11 is a front elevational view of the design of FIG. 9;

FIG. 12 is a back elevational view of the design of FIG. 9;

FIG. 13 is a right elevational view of the design of FIG. 9;

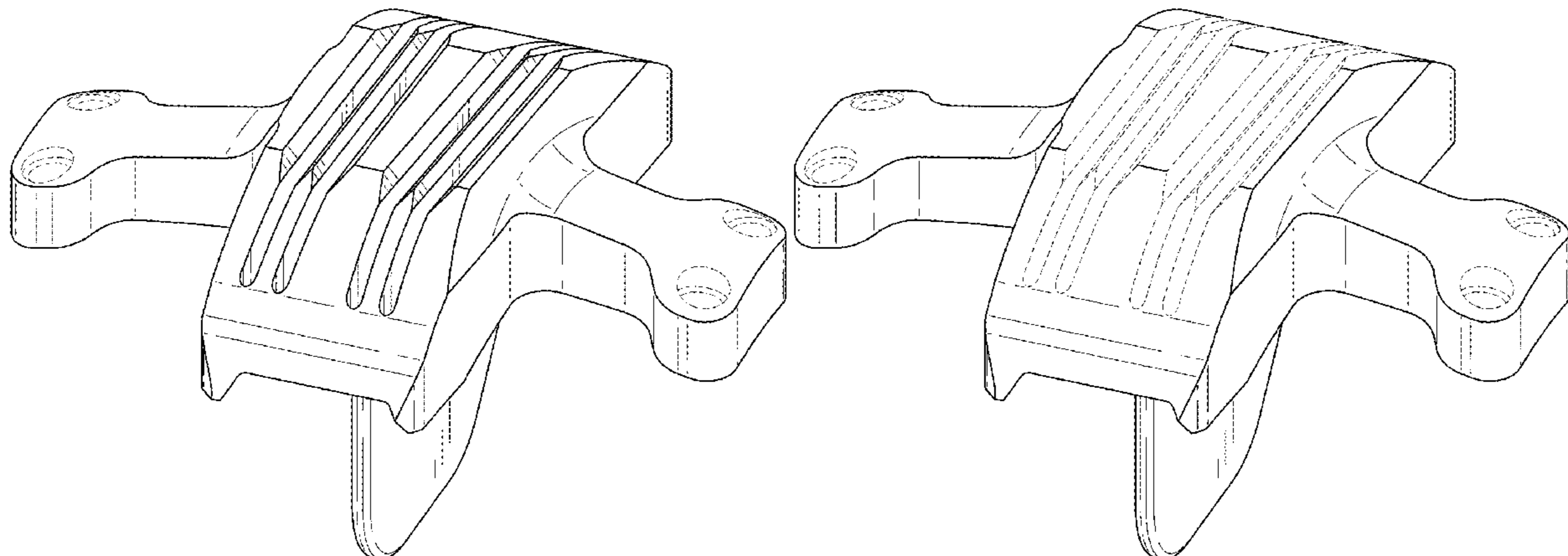
FIG. 14 is a left elevational view of the design of FIG. 9;

FIG. 15 is a top view of the design of FIG. 9; and,

FIG. 16 is a bottom view of the design of FIG. 9.

The broken lines shown in the figures are directed to the
environment and are for illustrative purposes only; the
broken lines form no part of the claimed cutting guide
invention.

1 Claim, 12 Drawing Sheets



(56)

References Cited

U.S. PATENT DOCUMENTS

D733,875 S * 7/2015 Chaney D24/140
 D745,671 S * 12/2015 Frey D24/140
 D794,787 S * 8/2017 Kheradpir D24/140
 10,251,654 B2 * 4/2019 Fritzinger A61B 17/154
 D853,816 S * 7/2019 Schaz D8/70
 D858,765 S * 9/2019 Frey D24/140
 D865,173 S * 10/2019 Hartson D24/140
 D874,648 S * 2/2020 Houssiere D24/140
 D875,931 S * 2/2020 Asfora D24/140
 2004/0153087 A1 * 8/2004 Sanford A61F 2/4684
 606/88
 2005/0038440 A1 * 2/2005 Larson A61B 17/0206
 606/86 R
 2006/0155291 A1 * 7/2006 Farrar A61B 17/15
 606/87
 2007/0208346 A1 * 9/2007 Marnay A61F 2/4684
 606/86 A
 2008/0195107 A1 * 8/2008 Cuckler A61B 17/1764
 606/83

2010/0212138 A1 * 8/2010 Carroll G05B 15/02
 29/446
 2013/0158556 A1 * 6/2013 Jones A61B 17/56
 606/87
 2013/0325017 A1 * 12/2013 Lomicka A61B 17/15
 606/87
 2013/0325045 A1 * 12/2013 Wolfson A61B 17/15
 606/167
 2014/0100578 A1 * 4/2014 Metzger A61B 17/58
 606/88
 2014/0163559 A1 * 6/2014 Marnay A61B 17/1604
 606/83
 2014/0257305 A1 * 9/2014 Edwards A61B 17/154
 606/87
 2014/0309643 A1 * 10/2014 Lavallee A61B 17/15
 606/87
 2019/0336140 A1 * 11/2019 Dacosta A61B 17/17
 2019/0365419 A1 * 12/2019 Rhodes A61B 34/10
 2019/0365481 A1 * 12/2019 Otto A61B 34/10

* cited by examiner

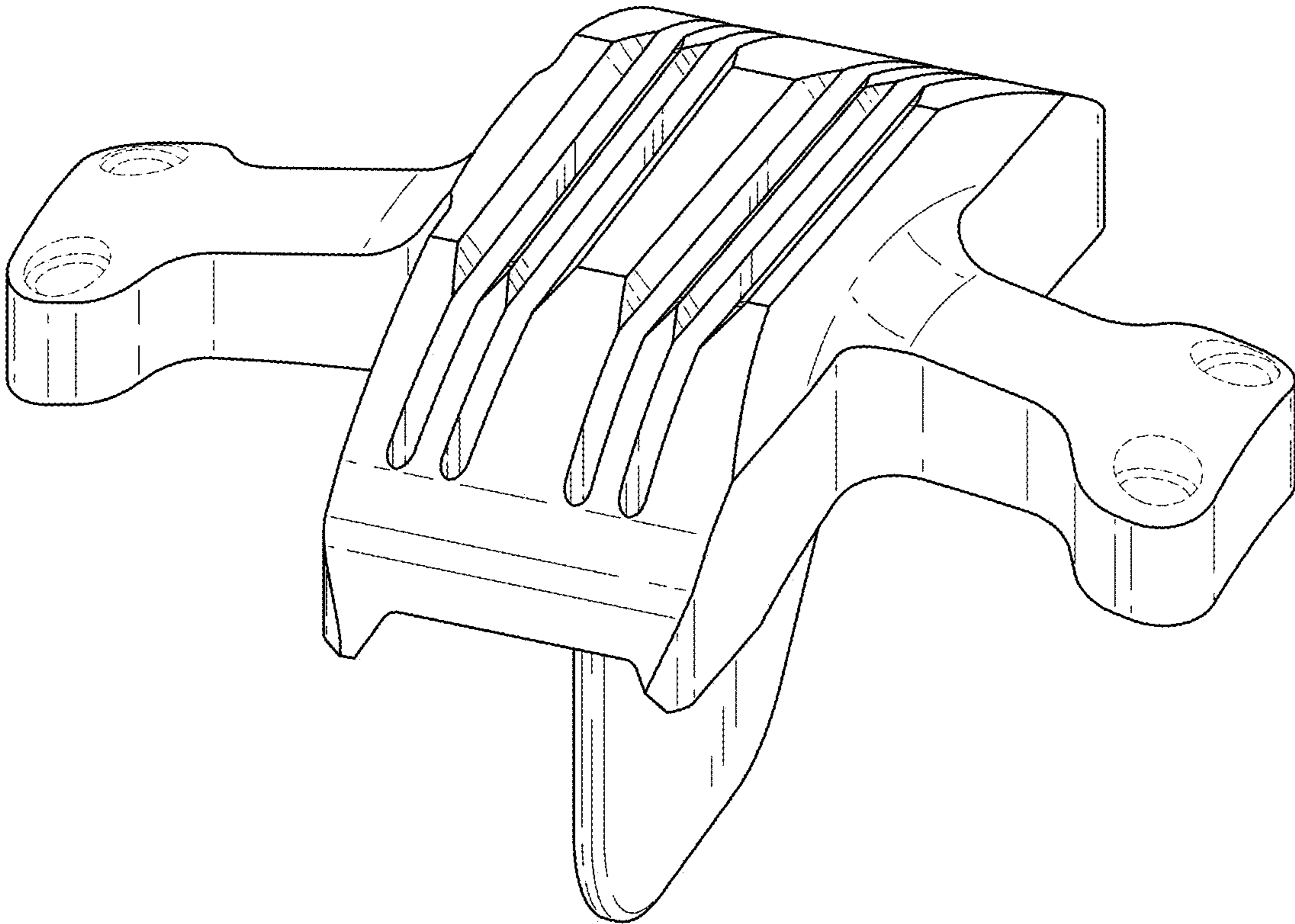


FIG. 1

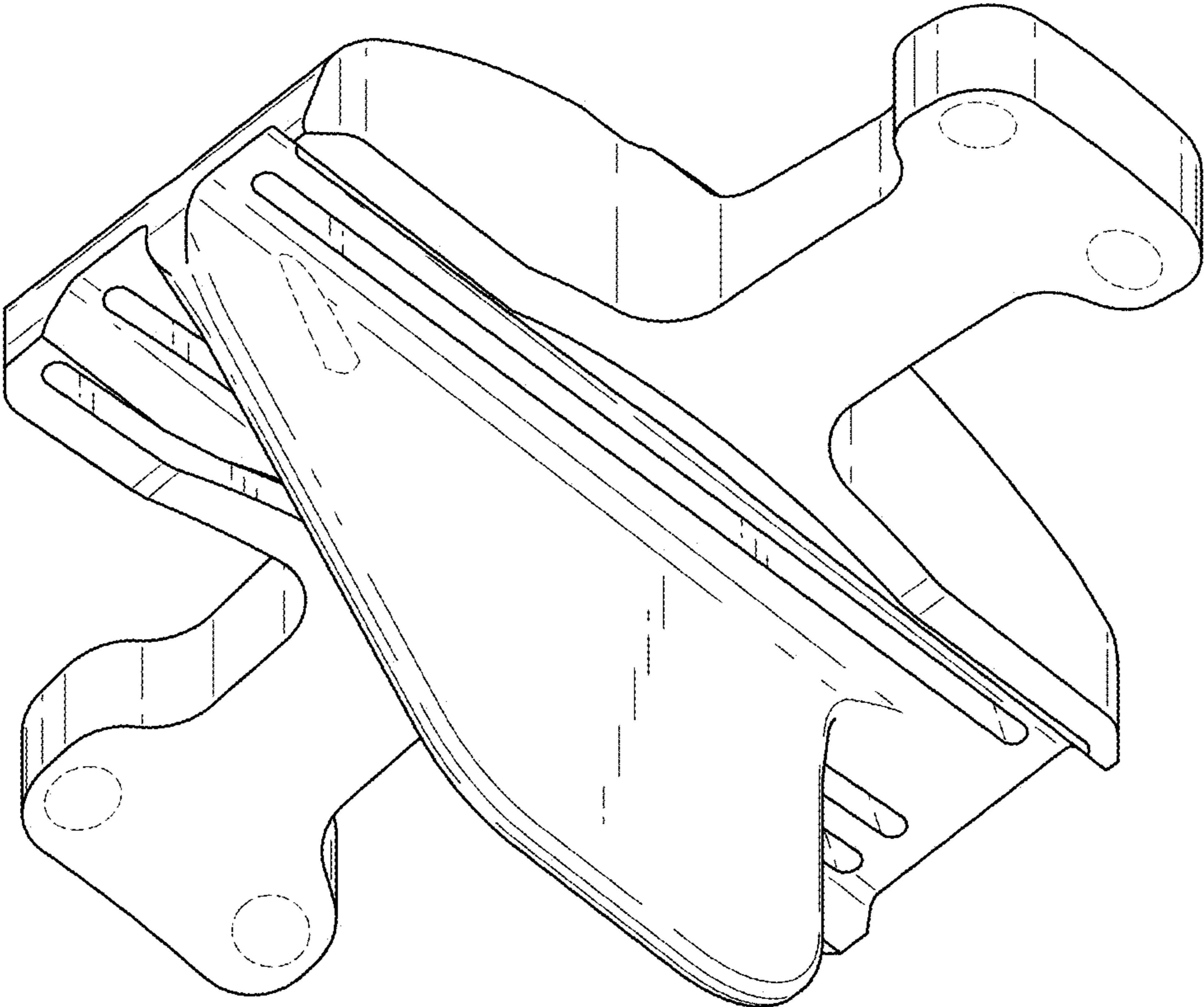


FIG. 2

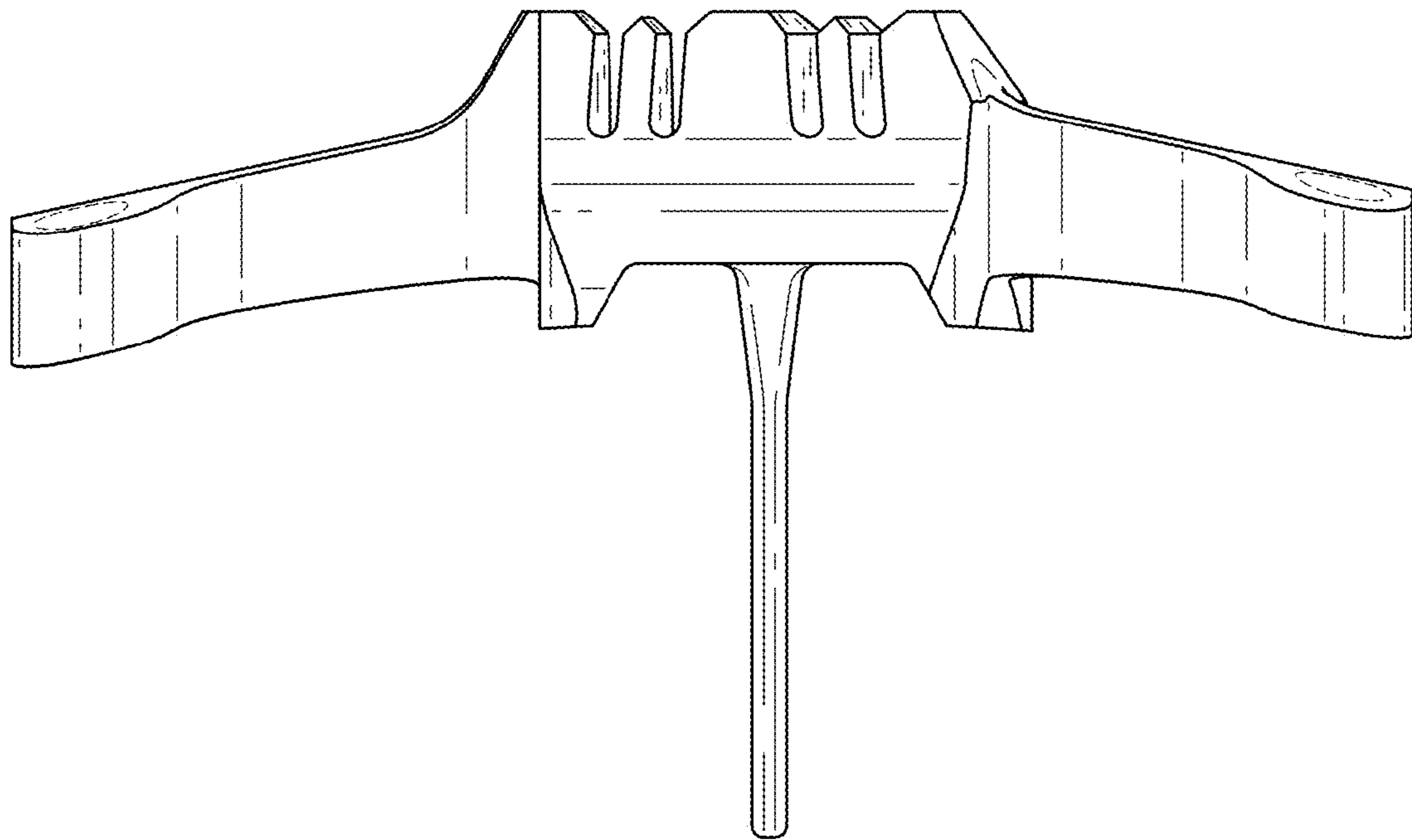


FIG. 3

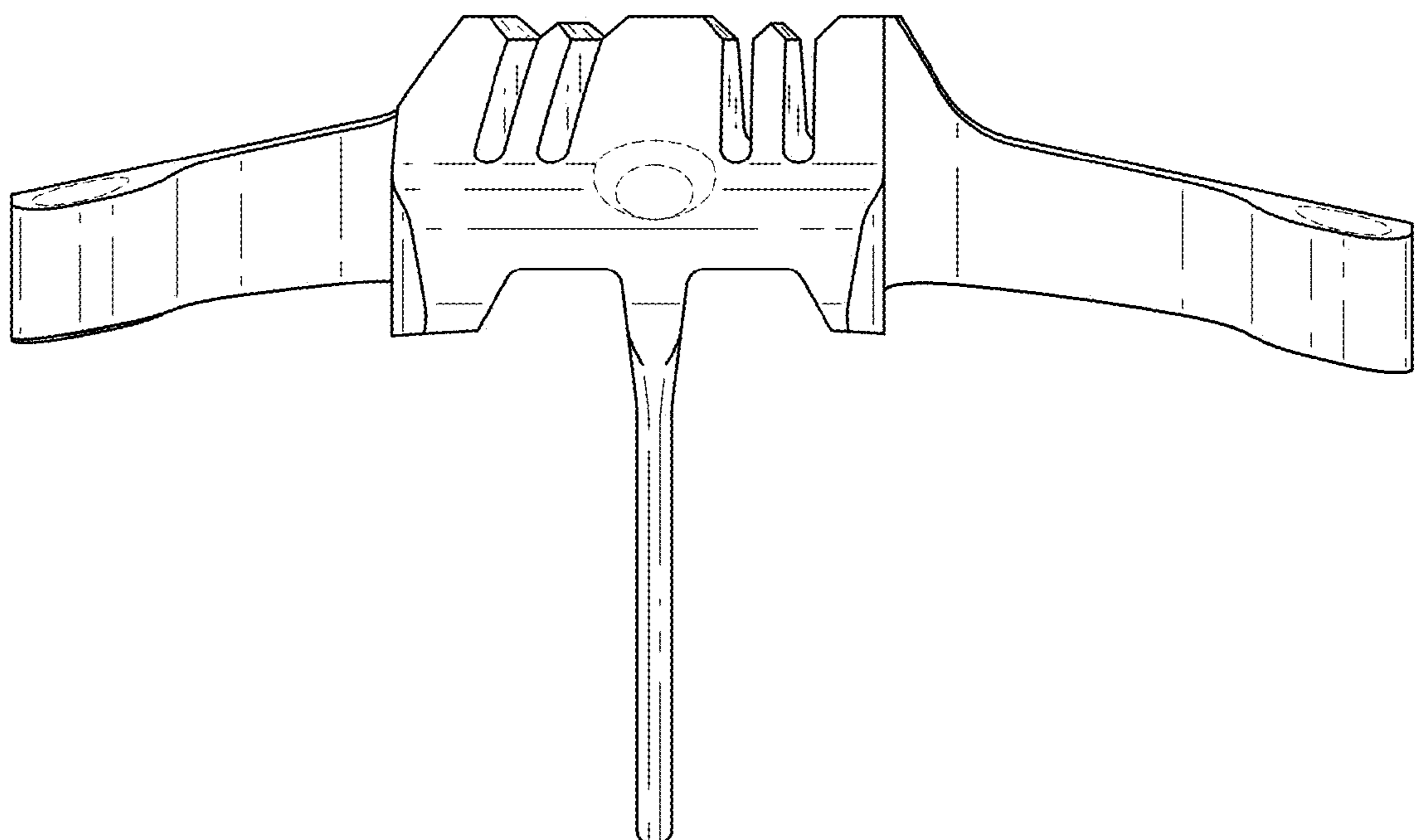


FIG. 4

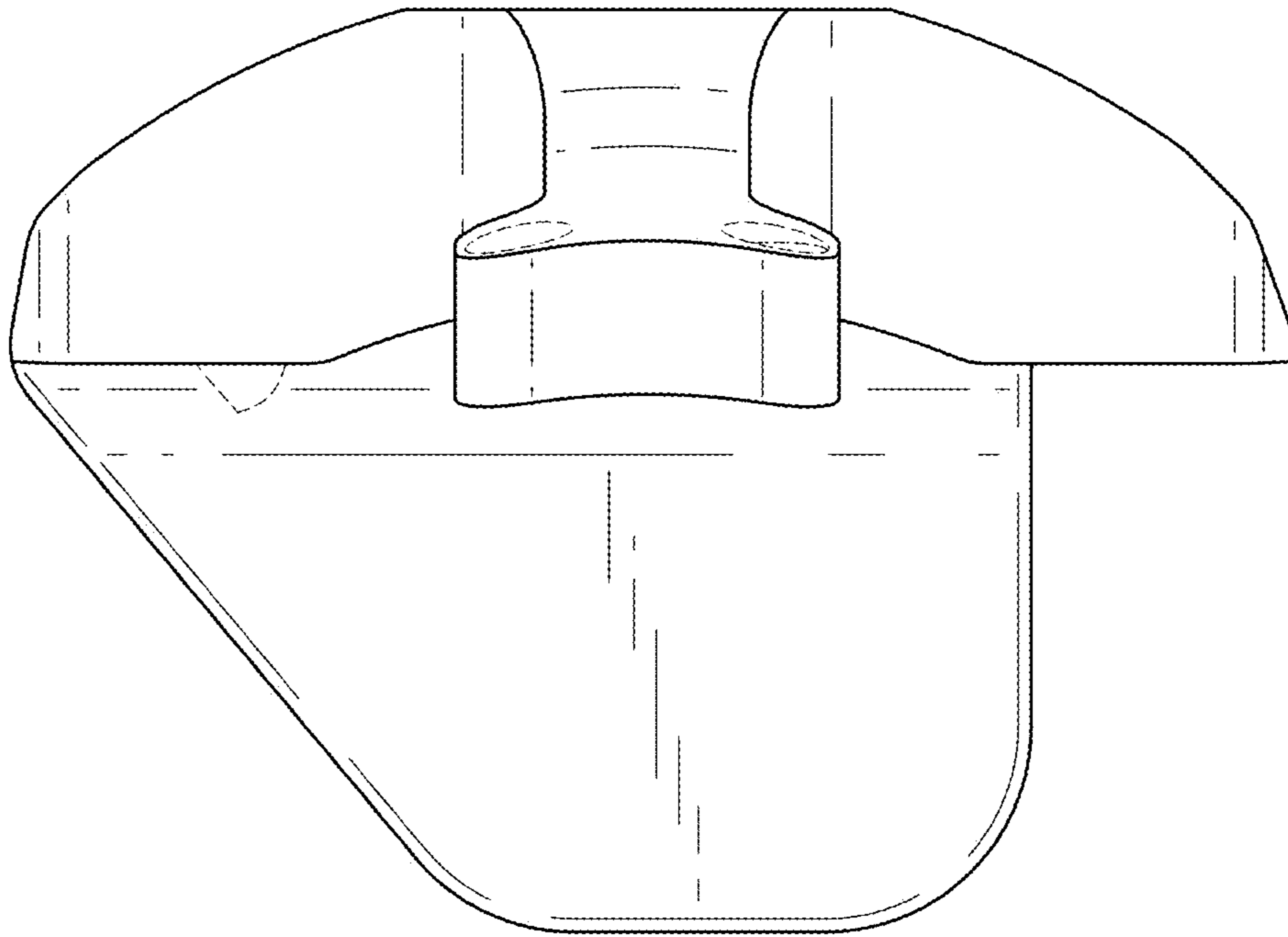


FIG. 5

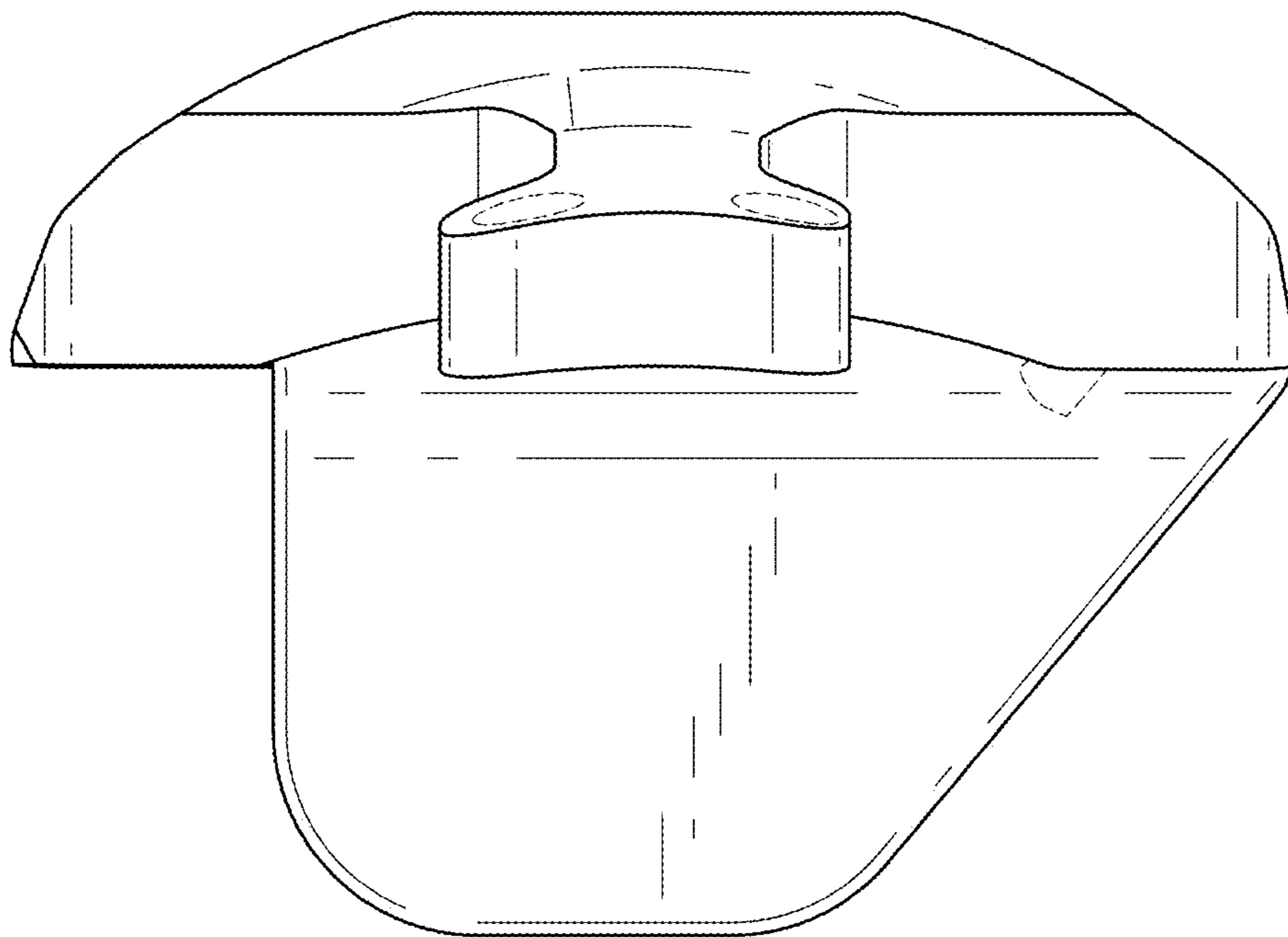


FIG. 6

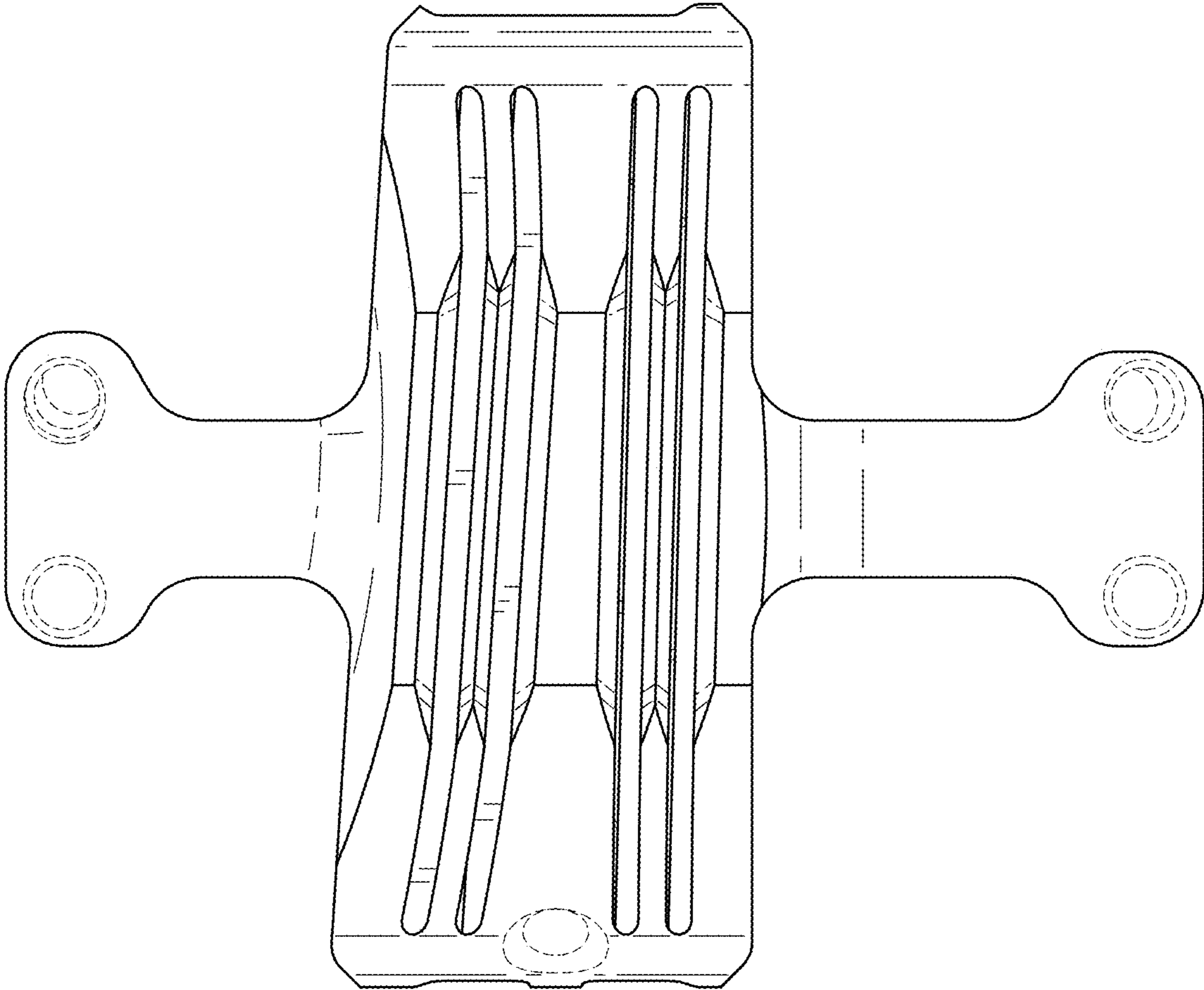


FIG. 7

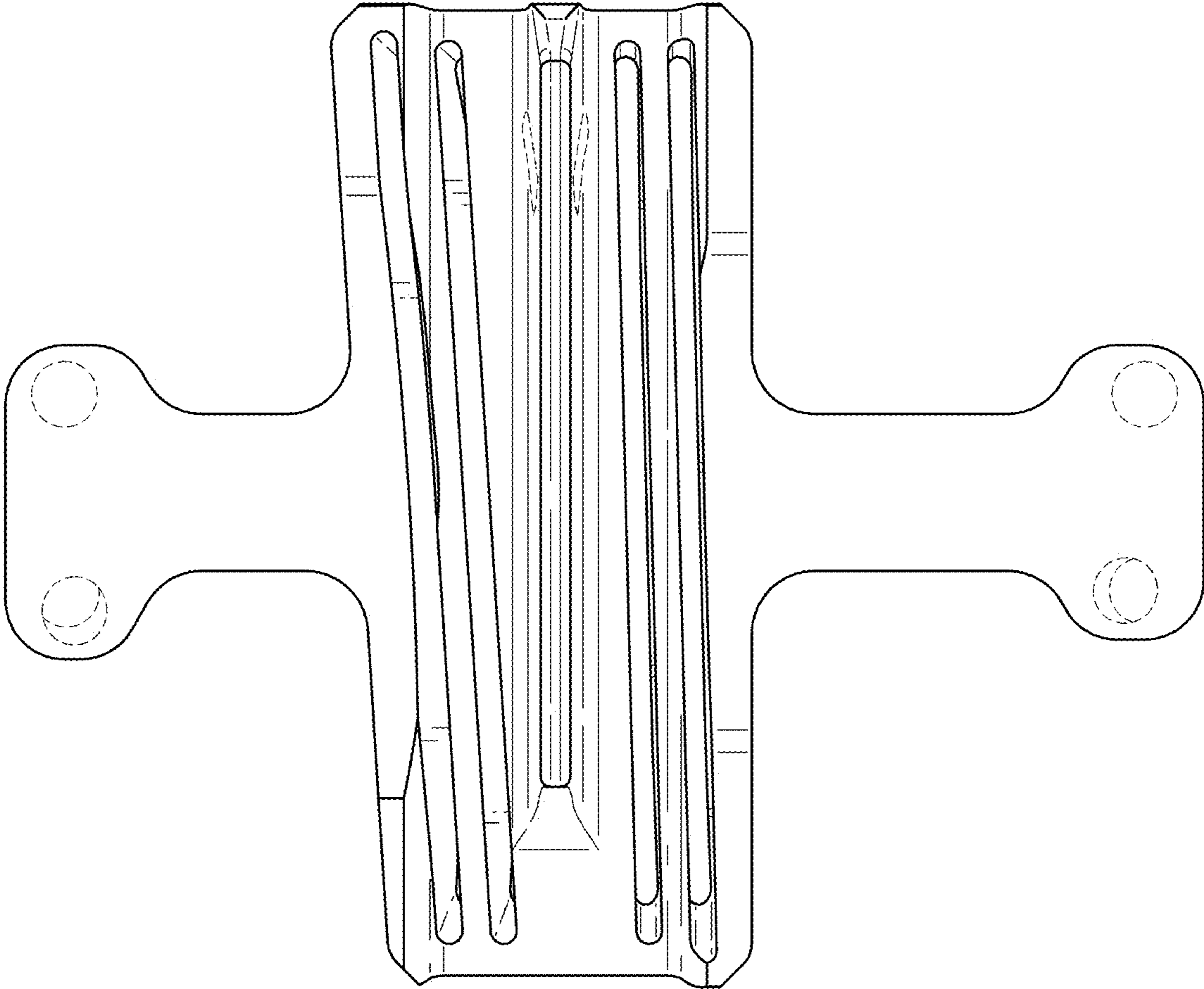


FIG. 8

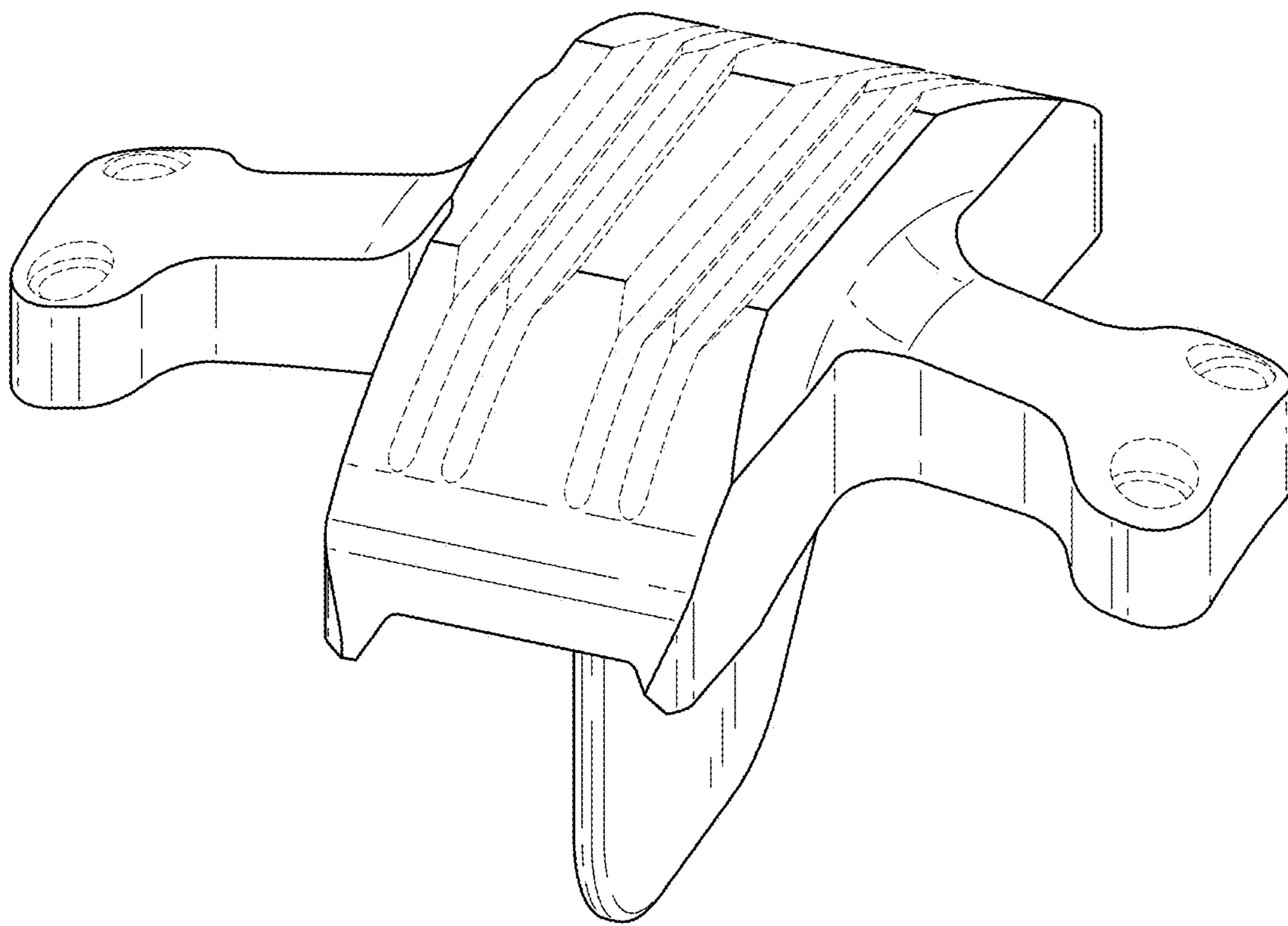


FIG. 9

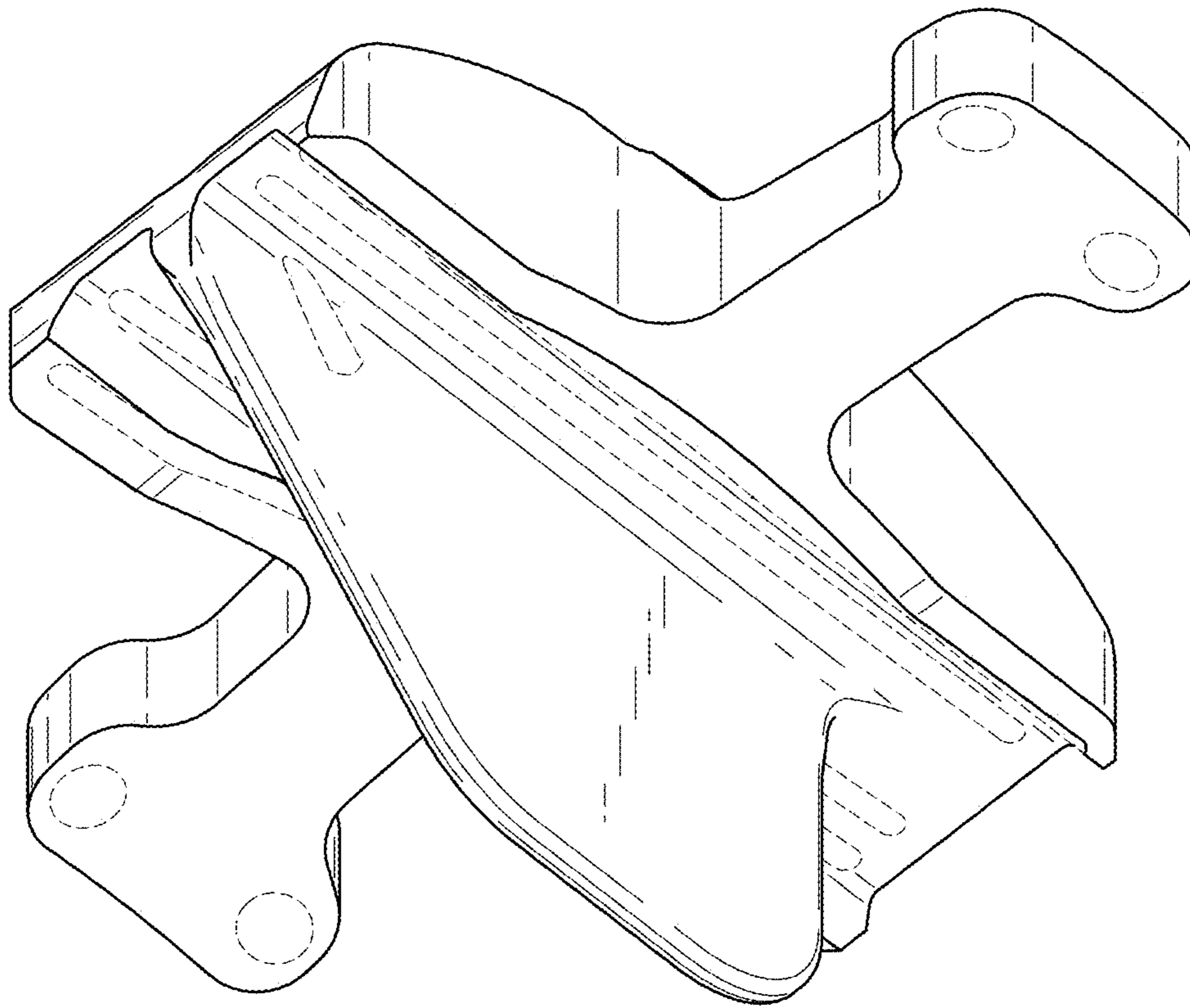


FIG. 10

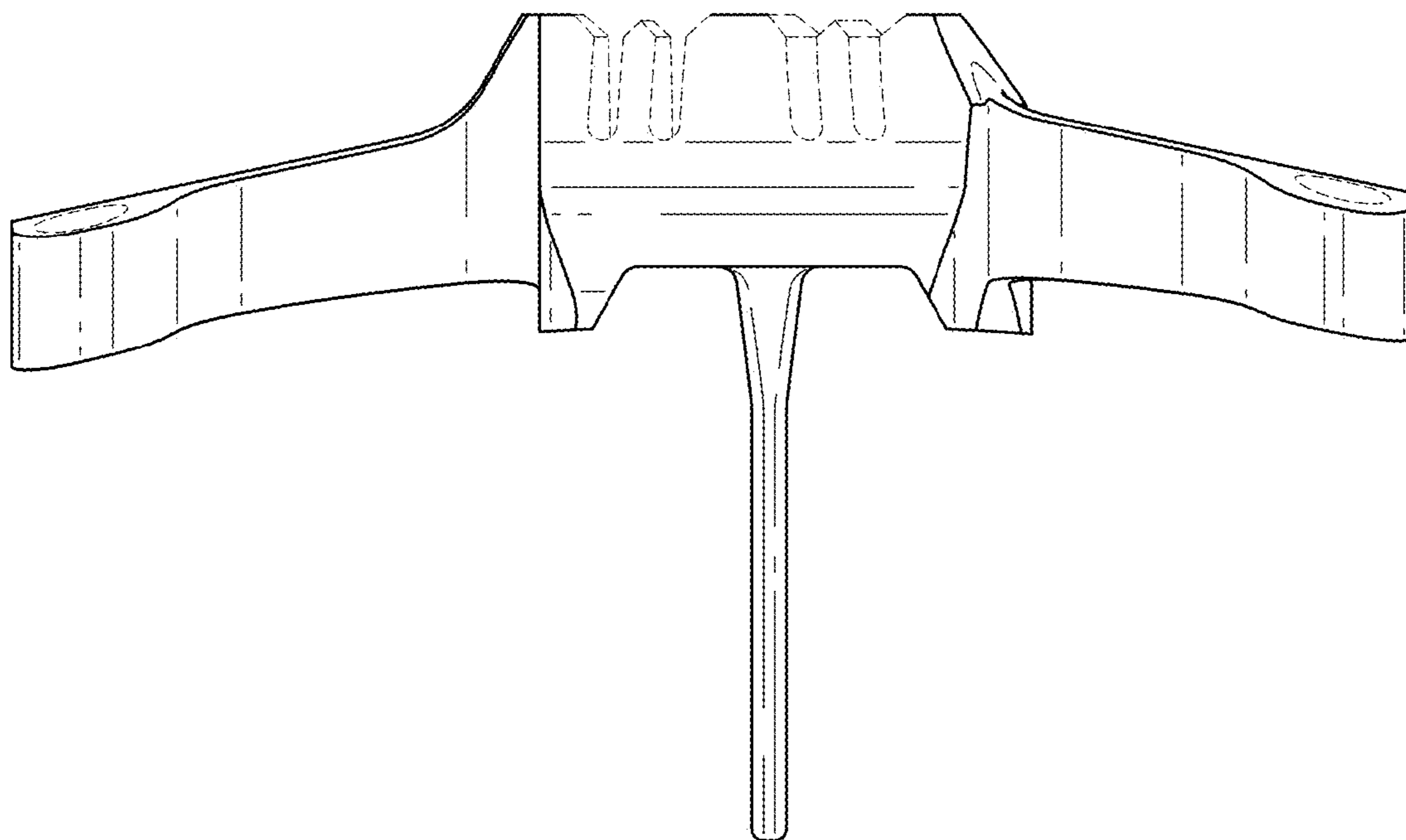


FIG. 11

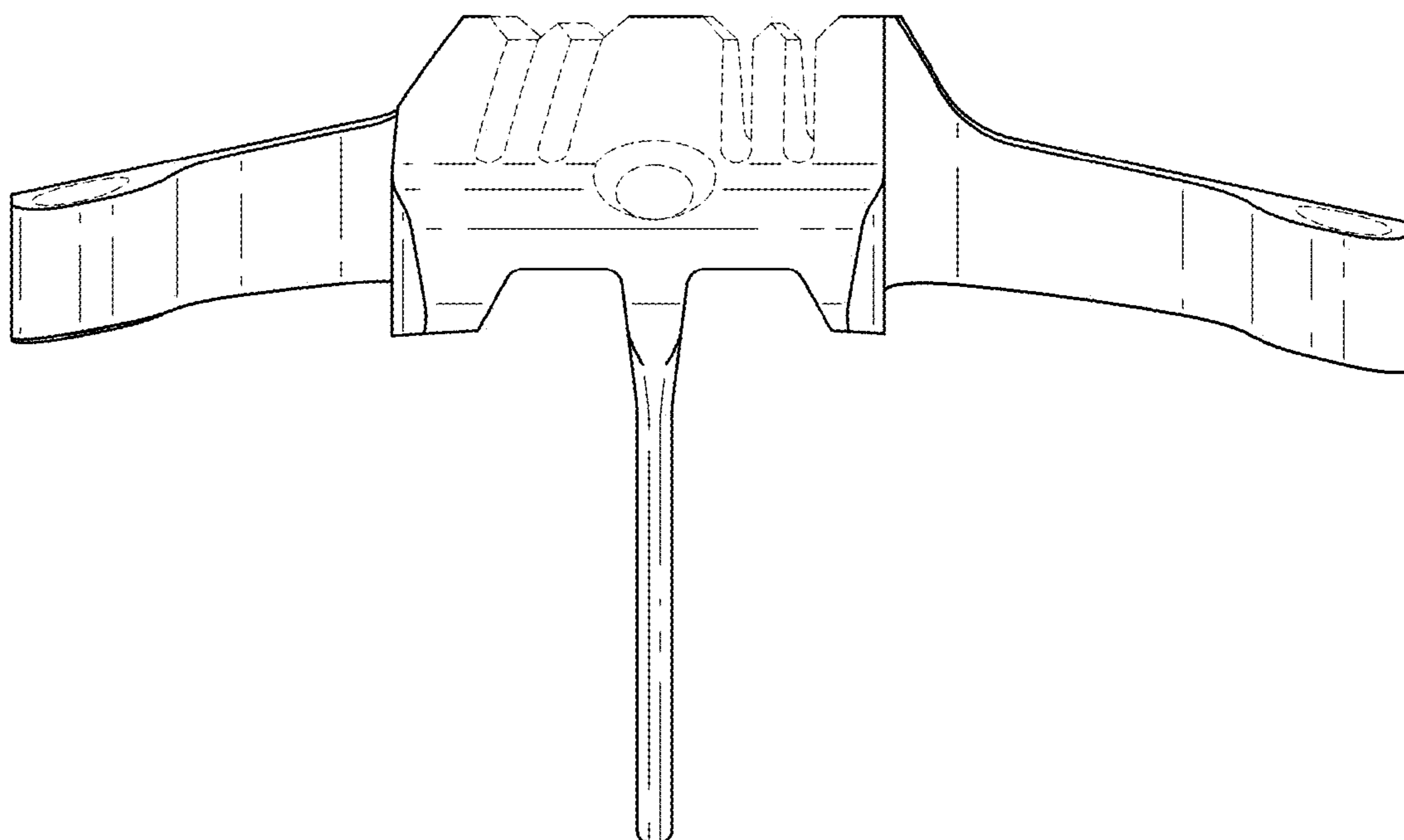


FIG. 12

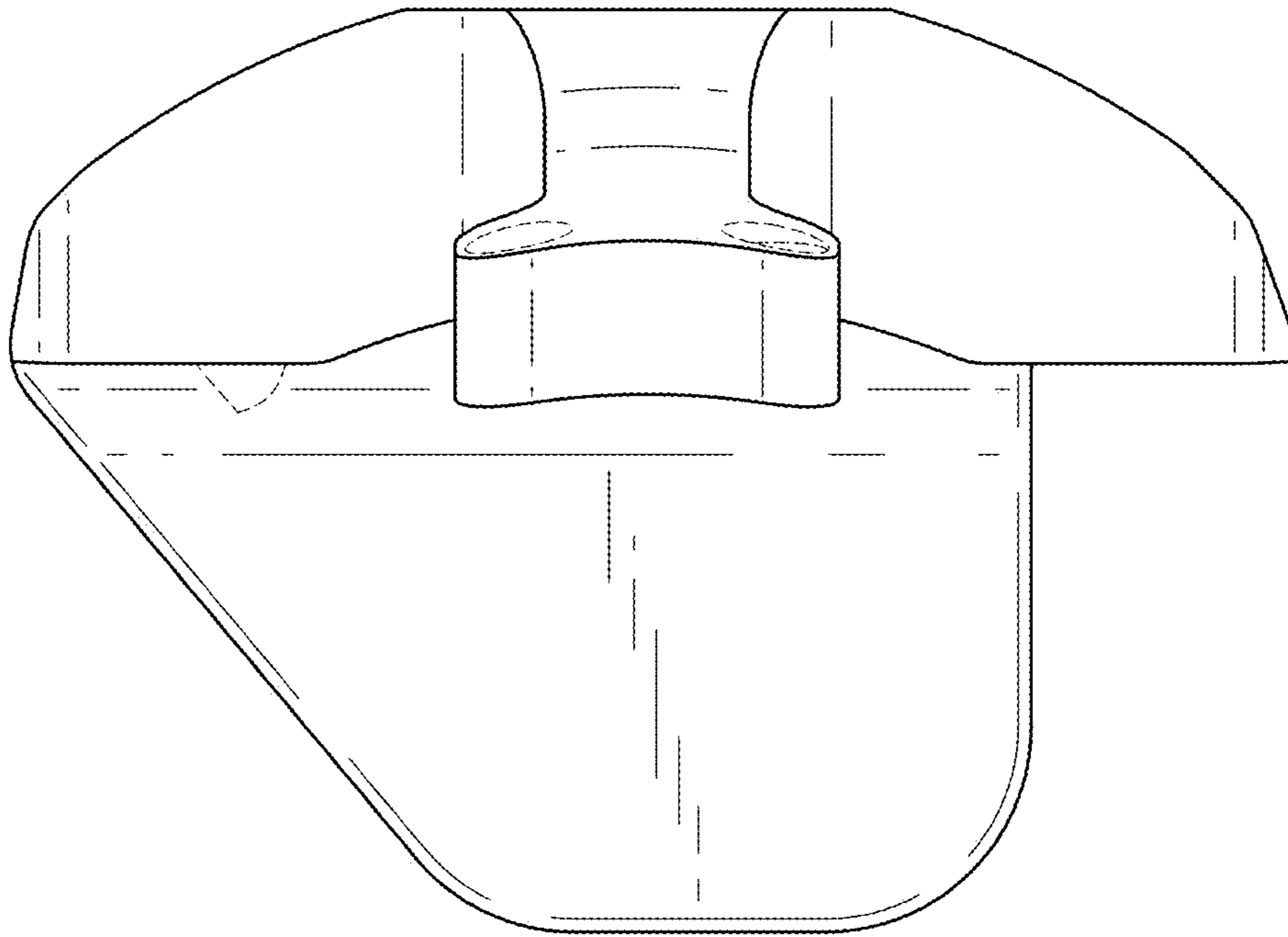


FIG. 13

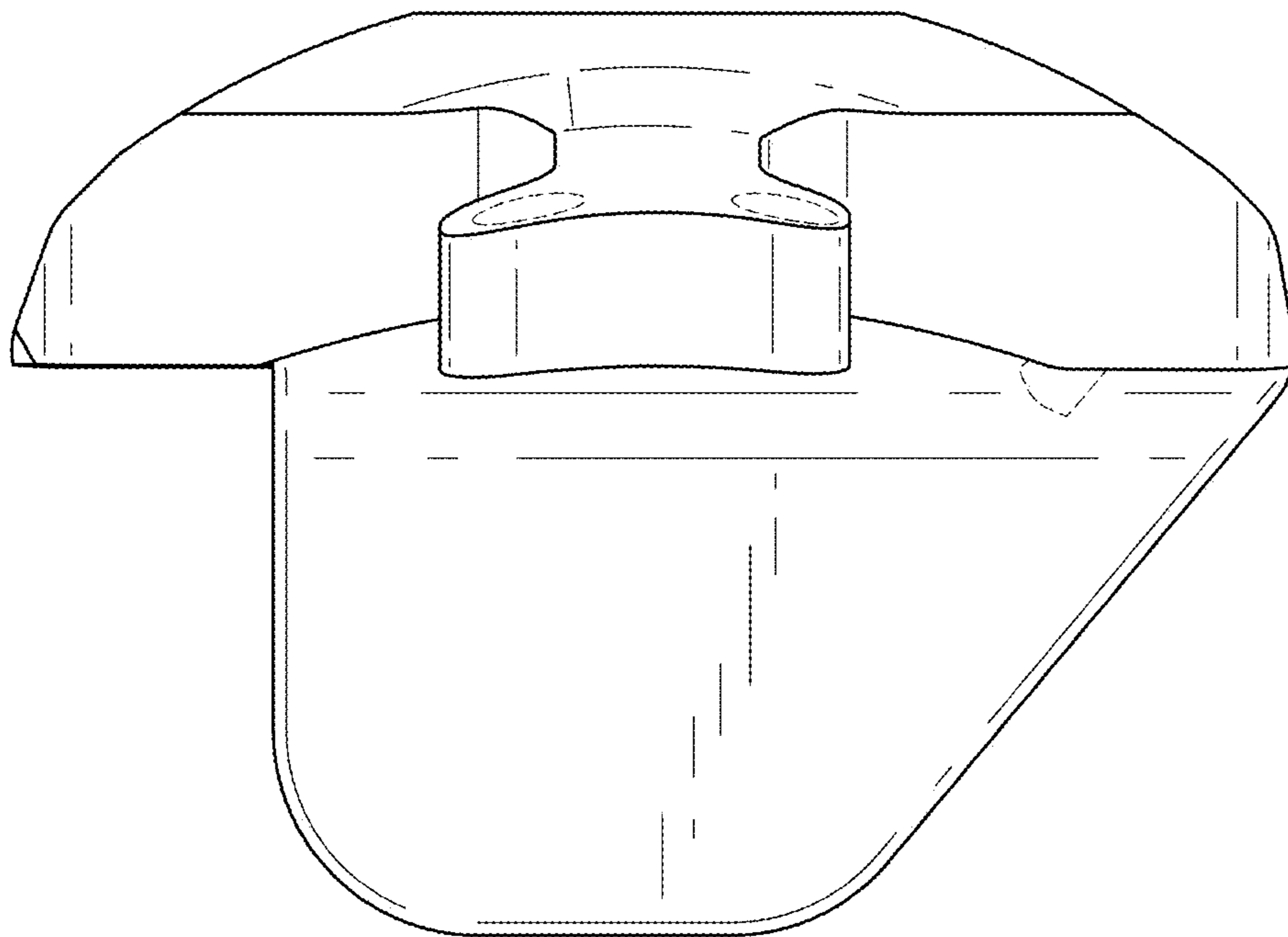


FIG. 14

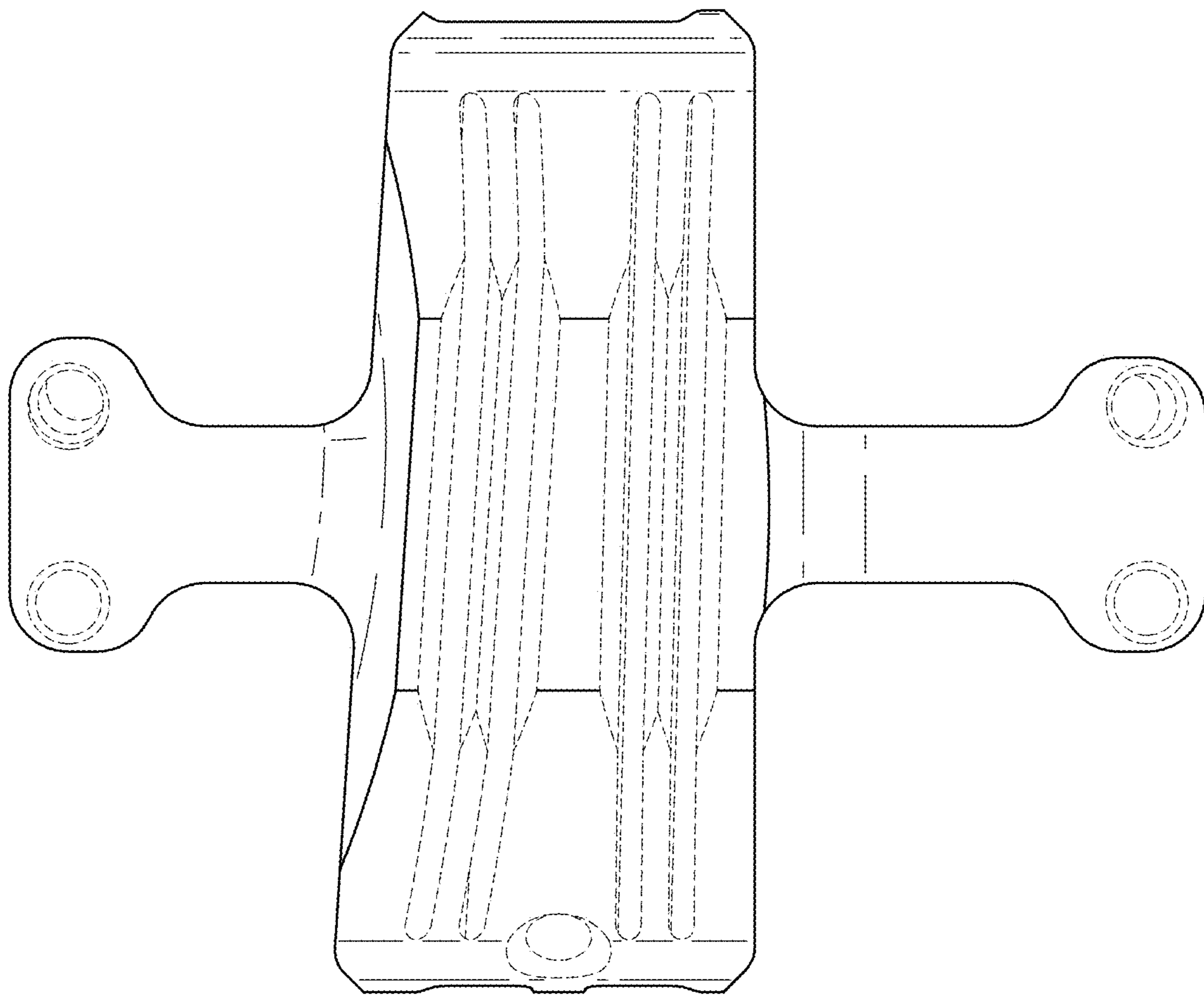


FIG. 15

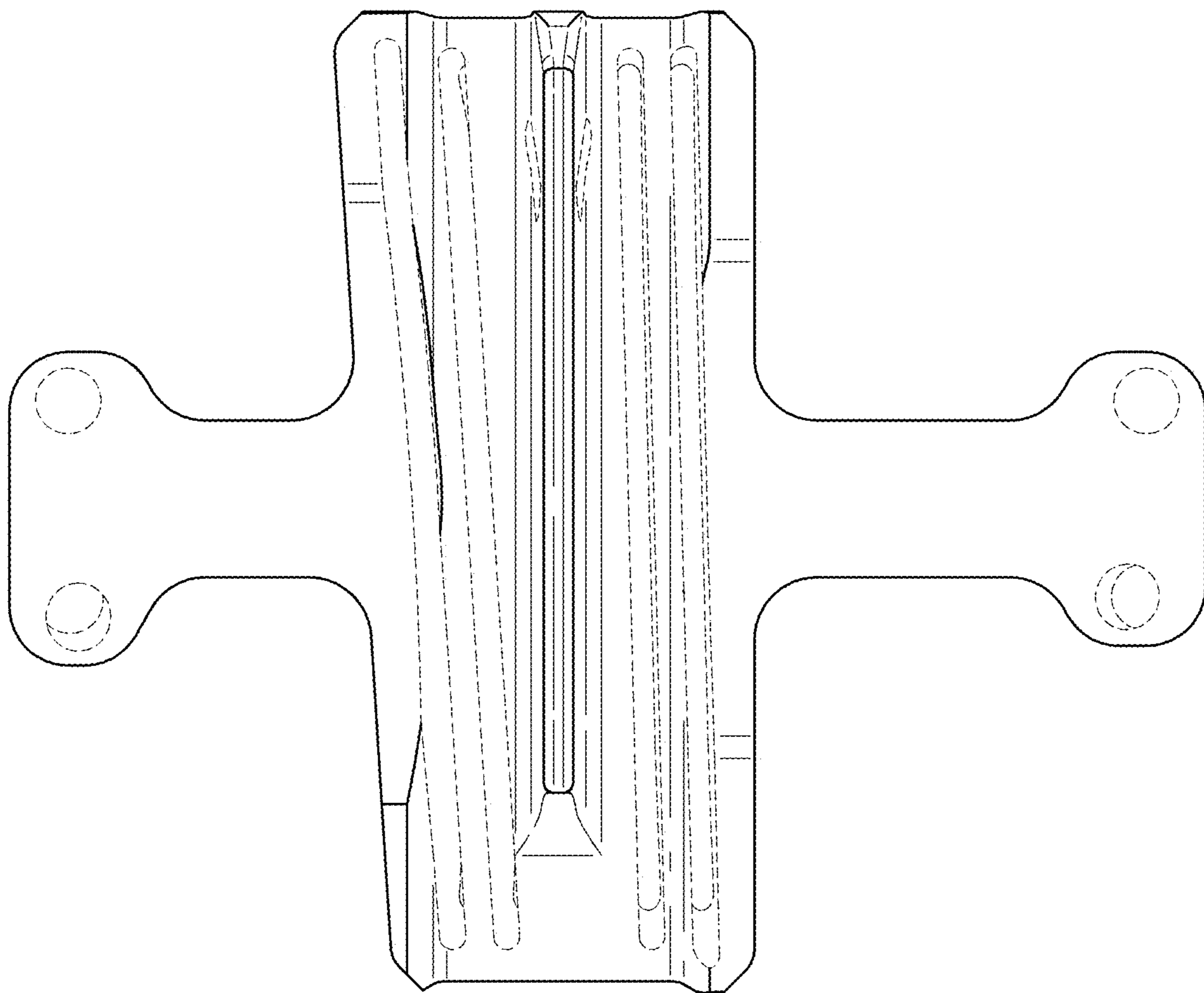


FIG. 16