



US00D904607S

(12) **United States Design Patent** (10) **Patent No.:** **US D904,607 S**  
**Swift** (45) **Date of Patent:** **\*\* Dec. 8, 2020**

(54) **NASAL RETRACTOR**  
(71) Applicant: **OBP Medical Corporation**, Lawrence, MA (US)  
(72) Inventor: **Jeffrey Ralph Swift**, Boca Grande, FL (US)

3,729,006 A 4/1973 Wilder et al.  
3,762,400 A 10/1973 McDonald  
3,769,968 A 11/1973 Blount et al.  
3,789,835 A 2/1974 Whitman  
3,815,585 A 6/1974 Fiore  
3,826,248 A 7/1974 Gobels  
(Continued)

(73) Assignee: **OBP MEDICAL CORPORATION**, Lawrence, MA (US)

FOREIGN PATENT DOCUMENTS

CN 2239235 Y 11/1996  
CN 2265156 Y 10/1997

(\*\*) Term: **15 Years**

(Continued)

(21) Appl. No.: **29/690,276**

OTHER PUBLICATIONS

(22) Filed: **May 7, 2019**

The above documents were cited in a European Search Report dated Nov. 23, 2018, that issued in the corresponding European Patent Application No. 16747107.7.

(51) **LOC (12) Cl.** ..... **24-02**

(Continued)

(52) **U.S. Cl.**  
USPC ..... **D24/135**

(58) **Field of Classification Search**  
USPC ..... D24/133, 135, 140  
CPC ..... A61B 1/00142; A61B 1/32; A61B 1/00;  
A61B 17/02; A61B 17/24; A61B 18/02;  
A61B 18/06; A61F 5/08; A61F 5/56  
See application file for complete search history.

*Primary Examiner* — Bridget L Eland  
(74) *Attorney, Agent, or Firm* — Cowan, Liebowitz & Latman, P.C.; Anastasia Zhadina

(57) **CLAIM**

The ornamental design for a nasal retractor, as shown and described.

(56) **References Cited**

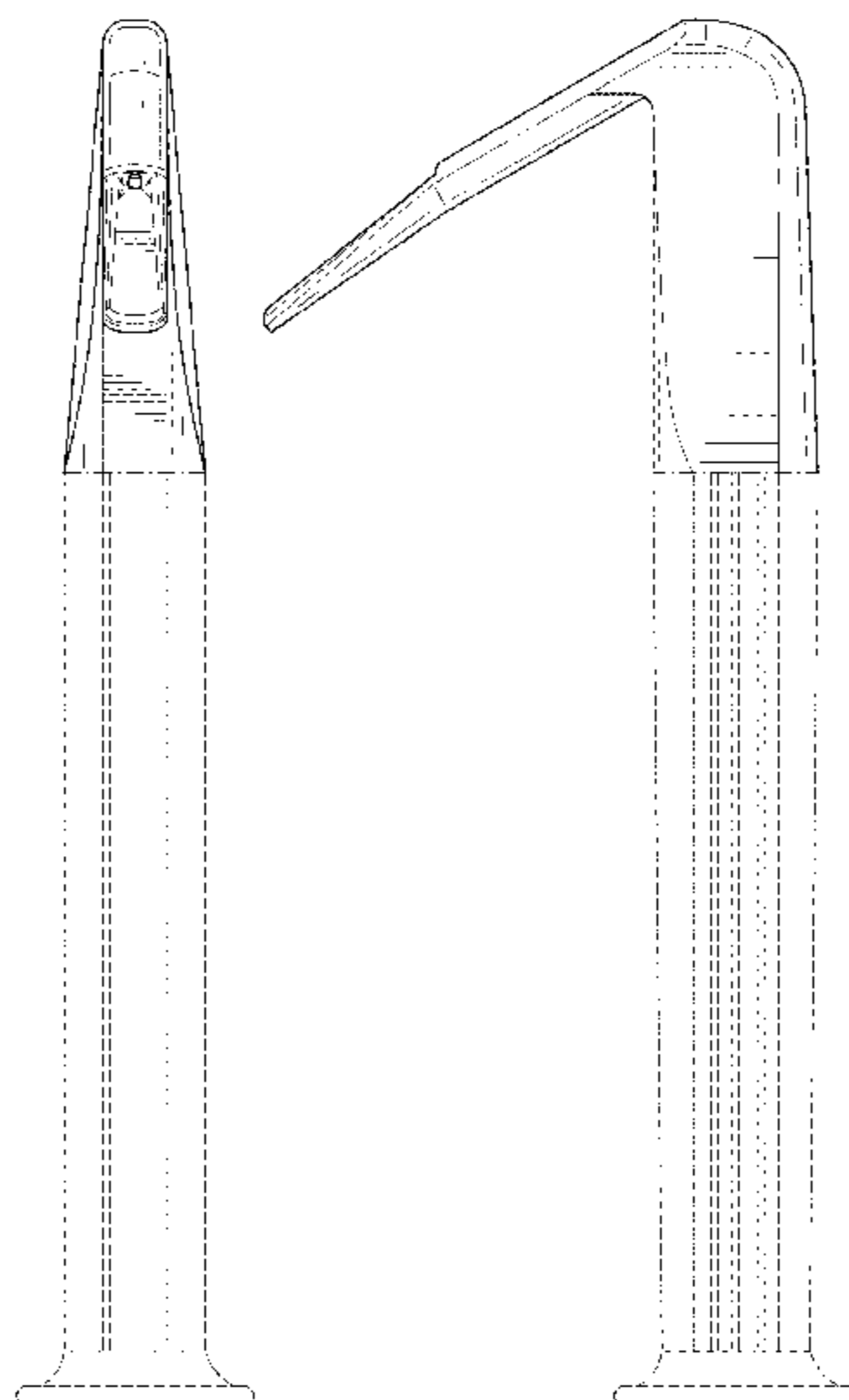
**DESCRIPTION**

U.S. PATENT DOCUMENTS

559,122 A 4/1896 Daily  
659,182 A 10/1900 Pilling  
2,235,979 A 3/1941 Brown  
2,247,458 A 6/1941 Shepard  
2,482,971 A 9/1949 Golson  
2,592,190 A 4/1952 Rubens et al.  
D168,363 S \* 12/1952 Martin ..... D24/135  
3,324,850 A 6/1967 Gunning et al.  
3,332,414 A 7/1967 Gasper  
3,532,088 A 10/1970 Fiore  
3,592,199 A 7/1971 Ostensen  
3,595,222 A 7/1971 Vellacott  
3,638,644 A 2/1972 Reick  
3,675,641 A 7/1972 Fiore  
3,716,047 A 2/1973 Moore et al.

FIG. 1 is a perspective view of the nasal retractor showing my design;  
FIG. 2 is a front view thereof;  
FIG. 3 is a rear view thereof;  
FIG. 4 is a right-side view thereof;  
FIG. 5 is a left-side view thereof;  
FIG. 6 is a top view thereof; and,  
FIG. 7 is a bottom view thereof.  
The dot-dash broken lines represent the bounds of the claimed design and form no part of the claimed design while all other broken lines are directed to portions of the nasal retractor that form no part of the claimed design.

**1 Claim, 5 Drawing Sheets**







(56)

**References Cited**

## U.S. PATENT DOCUMENTS

2013/0018230 A1 1/2013 Su et al.  
 2013/0021798 A1 1/2013 Chen et al.  
 2013/0041229 A2 2/2013 Hahn et al.  
 2013/0102850 A1 4/2013 Fiorella  
 2013/0102887 A1 4/2013 Thompson et al.  
 2013/0158345 A1 6/2013 Majlessi  
 2013/0197313 A1 8/2013 Wan  
 2013/0245657 A1 9/2013 Deville et al.  
 2013/0267786 A1 10/2013 Vayser et al.  
 2013/0281784 A1 10/2013 Ray  
 2013/0324801 A1 12/2013 Grey et al.  
 2014/0088371 A1 3/2014 Vayser et al.  
 2014/0179998 A1 6/2014 Pacey  
 2014/0202459 A1 7/2014 Iqbal  
 2014/0275790 A1 9/2014 Vivenzio et al.  
 2014/0309499 A1 10/2014 Swift  
 2014/0316211 A1 10/2014 Hermle  
 2014/0323800 A1 10/2014 Dye  
 2014/0364695 A1 12/2014 Nadershahi et al.  
 2014/0371536 A1 12/2014 Miller et al.  
 2015/0018625 A1 1/2015 Miraki et al.  
 2015/0157469 A1 6/2015 Prado et al.  
 2015/0238070 A1 8/2015 Lia et al.  
 2015/0285382 A1 10/2015 Kienreich et al.  
 2015/0297217 A1 10/2015 Huitema et al.  
 2016/0000305 A1 1/2016 Elbaz et al.  
 2016/0030128 A1 2/2016 Duggal et al.  
 2016/0038032 A1 2/2016 Dan  
 2016/0066915 A1 3/2016 Baber et al.  
 2016/0081833 A1 3/2016 Leblanc et al.  
 2016/0095506 A1 4/2016 Dan et al.  
 2016/0100751 A1 4/2016 Davis et al.  
 2016/0151058 A1 6/2016 Ferro et al.  
 2016/0302657 A1 10/2016 Hussey et al.  
 2016/0354072 A1\* 12/2016 Swift ..... A61B 90/30  
 2017/0007228 A1 1/2017 Costabile  
 2017/0020621 A1 1/2017 Huldin et al.  
 2017/0059400 A1 3/2017 Murphy et al.  
 2017/0065282 A1 3/2017 Mathis et al.  
 2017/0079518 A1 3/2017 Elbaz et al.  
 2017/0172404 A1 6/2017 McMahan et al.  
 2017/0172555 A1 6/2017 Shimizu et al.  
 2017/0181605 A1 6/2017 Lalli et al.  
 2017/0181607 A1 6/2017 Lalli et al.  
 2017/0181615 A1 6/2017 Vella et al.  
 2017/0181616 A1 6/2017 Vella et al.  
 2017/0224206 A1 8/2017 Vayser  
 2017/0231712 A1 8/2017 Vayser  
 2017/0300623 A1 10/2017 Rosenblatt et al.  
 2017/0303903 A1 10/2017 De Koning et al.  
 2017/0347871 A1 12/2017 Wallace et al.  
 2017/0360423 A1 12/2017 Stevenson et al.  
 2018/0000469 A1 1/2018 Wood et al.  
 2018/0008137 A1 1/2018 Poormand  
 2018/0008138 A1 1/2018 Thommen et al.  
 2018/0008368 A1 1/2018 Duggal et al.  
 2018/0014721 A1 1/2018 Rullo et al.  
 2018/0014842 A1 1/2018 Shener-Irmakoglu  
 2018/0014900 A1 1/2018 Vayser et al.  
 2018/0036095 A1 2/2018 Vayser et al.  
 2018/0042596 A1 2/2018 Tsubouchi  
 2018/0064316 A1 3/2018 Charles et al.  
 2018/0064317 A1 3/2018 Tesar  
 2018/0078301 A1 3/2018 Vayser  
 2018/0116581 A1 5/2018 Prasad et al.  
 2018/0125336 A1 5/2018 Goldfarb et al.  
 2018/0125347 A1 5/2018 Czyzewski et al.  
 2018/0132710 A1 5/2018 Pacey et al.  
 2018/0132970 A1 5/2018 Ritter  
 2018/0153391 A1 6/2018 McMahan et al.  
 2018/0156448 A1 6/2018 Phillips, Jr. et al.  
 2018/0206832 A1 7/2018 Greeley et al.  
 2018/0228376 A1 8/2018 Greenstein et al.  
 2018/0228483 A1 8/2018 Duggal et al.  
 2018/0235444 A1 8/2018 Tsai

2018/0235592 A1 8/2018 Kass et al.  
 2018/0249902 A1 9/2018 Grey et al.  
 2018/0263480 A1 9/2018 Lalli et al.  
 2018/0271581 A1 9/2018 Ou Yang et al.  
 2018/0280011 A1 10/2018 Ferro et al.  
 2018/0296082 A1 10/2018 Salvati et al.  
 2018/0317746 A1 11/2018 Lalli et al.  
 2018/0317752 A1 11/2018 Cybulski et al.  
 2018/0317902 A1 11/2018 Green et al.  
 2018/0328572 A1 11/2018 Kennedy et al.  
 2019/0038273 A1 2/2019 Perler et al.  
 2019/0049655 A1 2/2019 Zagatsky et al.  
 2019/0076138 A1 3/2019 Opperman  
 2019/0083079 A1 3/2019 Shimizu et al.  
 2019/0133432 A1 5/2019 Tsai  
 2019/0143006 A1 5/2019 Vayser et al.  
 2019/0143414 A1 5/2019 Vayser et al.  
 2019/0150422 A1 5/2019 Welch  
 2019/0150725 A1 5/2019 Ramanujam et al.  
 2019/0150739 A1 5/2019 Wawro et al.  
 2019/0150786 A1 5/2019 Vassallo et al.  
 2019/0167111 A1 6/2019 Greenstein et al.  
 2019/0167378 A1 6/2019 Wood et al.  
 2019/0190293 A1 6/2019 Wawro et al.  
 2019/0223708 A1 7/2019 Recanati et al.  
 2019/0254512 A1 8/2019 Spiertz  
 2019/0335988 A1 11/2019 Lia et al.  
 2019/0343379 A1 11/2019 Altamura  
 2019/0365217 A1 12/2019 Hegenberger  
 2020/0008694 A1 1/2020 Karla et al.  
 2020/0046216 A1 2/2020 Moein  
 2020/0069171 A1 3/2020 Miller et al.  
 2020/0107714 A1 4/2020 Bar-Or et al.  
 2020/0253467 A1 8/2020 Lees, Jr. et al.  
 2020/0337541 10/2020 Vivenzio et al.

## FOREIGN PATENT DOCUMENTS

CN 2516109 Y 10/2002  
 CN 2629738 Y 8/2004  
 CN 1565664 A 1/2005  
 CN 2668152 Y 1/2005  
 CN 1717195 A 1/2006  
 CN 101179982 A 5/2008  
 CN 201055387 Y 5/2008  
 CN 203591245 U 5/2008  
 CN 102415869 A 4/2012  
 CN 302536685 S 8/2013  
 CN 103925266 A 7/2014  
 CN 203898367 U 10/2014  
 CN 102573700 B 12/2014  
 DE 2128855 A 12/1972  
 DE 202004002963 U1 5/2004  
 DE 202005019780 U1 5/2006  
 DE 600 33 612 T2 12/2007  
 DE 202010017638 U 5/2012  
 EP 0190014 A2 8/1986  
 FR 2490478 A1 3/1982  
 GB 2505463 A 5/2014  
 RU 2187972 C2 8/2002  
 RU 2308873 C2 10/2007  
 WO 9825512 A1 6/1998  
 WO 03082123 A2 10/2003  
 WO 2004064624 A1 8/2004  
 WO 2006107877 A2 10/2006  
 WO 2006107878 A2 10/2006  
 WO 2009137017 A2 11/2009  
 WO 2013-044151 A1 3/2013  
 WO 2014-041172 A1 3/2014  
 WO 2006121530 A2 11/2016  
 WO 2016196788 A1 12/2016

## OTHER PUBLICATIONS

The above patent was cited dated Oct. 29, 2018 Chinese Office Action, that issued in Chinese Patent Application No. 201711159829.6.

(56)

**References Cited**

## OTHER PUBLICATIONS

International Search Report of PCT/US2018/054925, Oct. 9, 2018.  
Pankaj Saxena, et al., Hydrodissection Technique of Harvesting Left Internal Thoracic Artery, Department of Cardiac Surgery, The Prince Charles Hospital, Chermside, Brisbane, Queensland, Australia, Thoracic Artery, Ann Thorac Surg., 2005; 80:335-6.

The above U.S. Publications documents #1 and #2 were cited in a Supplementary European Search Report dated Apr. 24, 2019, that issued in European Patent Application No. 168044329.

OfficeSPEC, Premier Speculum for In-Office Procedures published Nov. 30, 2009 (1 page).

ER-Spec Obygn Brochure published Nov. 19, 2014 (2 pages).

ER-Spec Brochure, Light Source Now 10X Brighter published Oct. 30, 2012 (1 page).

ER-Spec Product Presentation published Apr. 16, 2014 (12 pages).

ER-Spec Brochure published Apr. 11, 2013 (2 pages).

ER-Spec Brochure published Feb. 4, 2013 (2 pages).

ER-Spec Brochure, Light Source Now 10X Brighter published Jan. 23, 2013 (1 page).

International Search Report for International application No. PCT/US2016/016154 dated May 19, 2016 for corresponding U.S. application, U.S. Appl. No. 14/614,413.

International Search Report, for International application No. PCT/US2016/035508 dated Sep. 15, 2016 for corresponding U.S. application, U.S. Appl. No. 15/171,581.

International Search Report for International application No. PCT/US2016/036833 dated Jan. 19, 2017.

U.S. Patent references 121-125 and U.S. Published Patent Application references 48 and 50 were cited in an Office Action issued in U.S. Appl. No. 15/171,581.

U.S. Published Patent Application references 47, 49 and 51 were cited in a PCT Search Report issued in PCT Appl. No. PCT/US2017/042617.

The above foreign patent documents 18, 21, 22, 23 and 24 were cited in a Nov. 1, 2017 Chinese Office Action, a copy of which is enclosed without an English Translation, that issued in Chinese Patent Application No. 201510543086.7.

The above foreign patent documents 21, 22 and 26 was cited in the Jul. 16, 2018 Chinese Office Action, a copy of which is enclosed without an English Translation, that issued in Chinese Patent Application No. 2015105430861.

Solvey, Technical Data Sheet, Ixef 1022 polyarylamide, Feb. 13, 2015, pp. 1-5.

<http://www.makeiffrom.com/material-properties/Polyetheretheketone-PEEK>, printed on Oct. 9, 2016, pp. 1-9.

Redefining illumination, Eikon LT Adapt SE For optimal precision and protection (2019), Stryker, [www.stryker.com/surgical](http://www.stryker.com/surgical) (3 pages).

\* cited by examiner

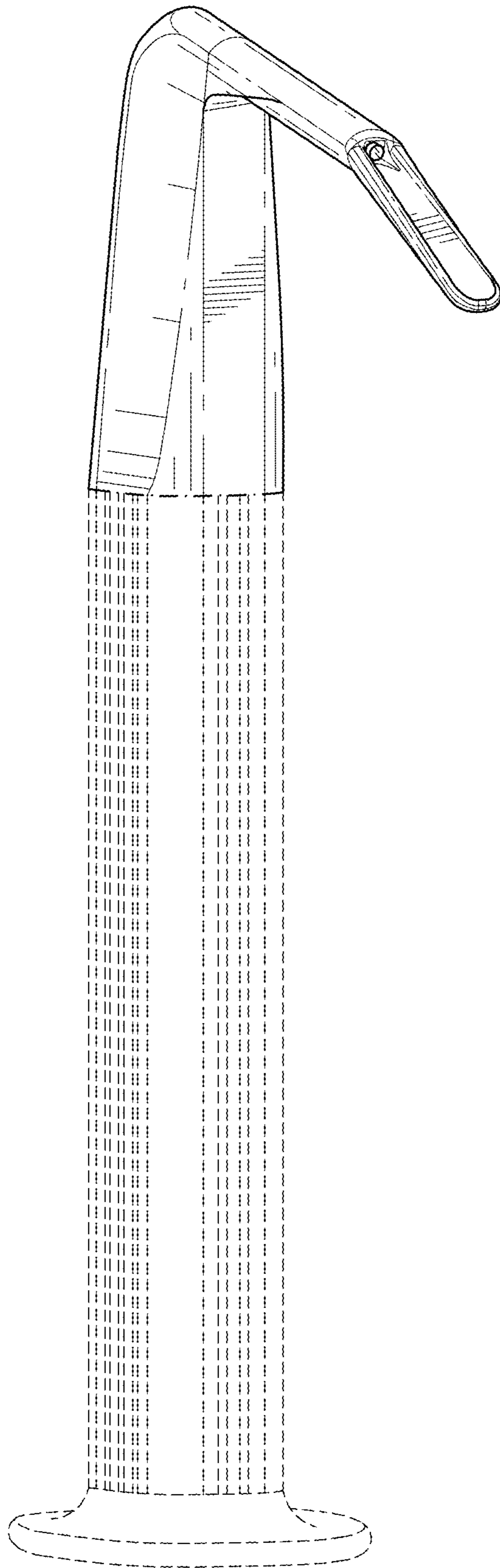


FIG. 1

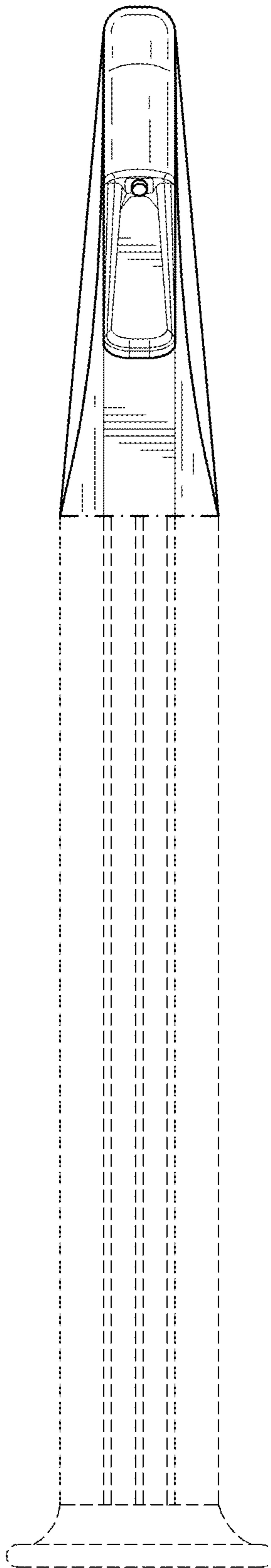


FIG. 2

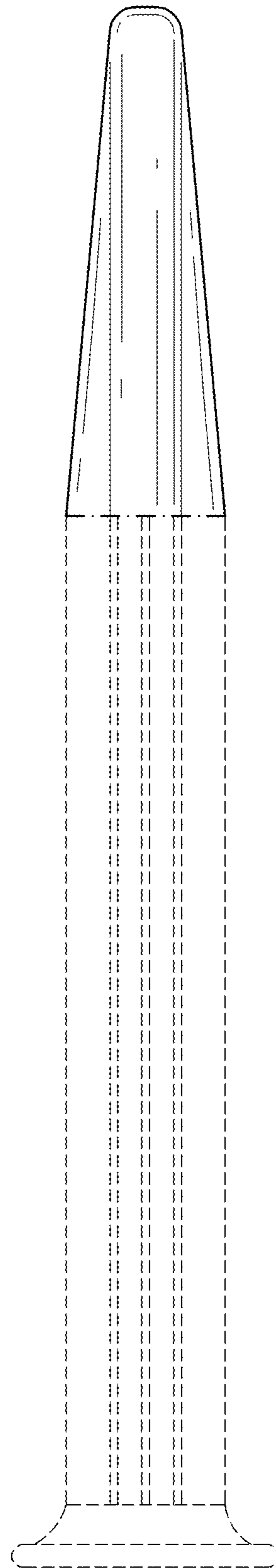


FIG. 3

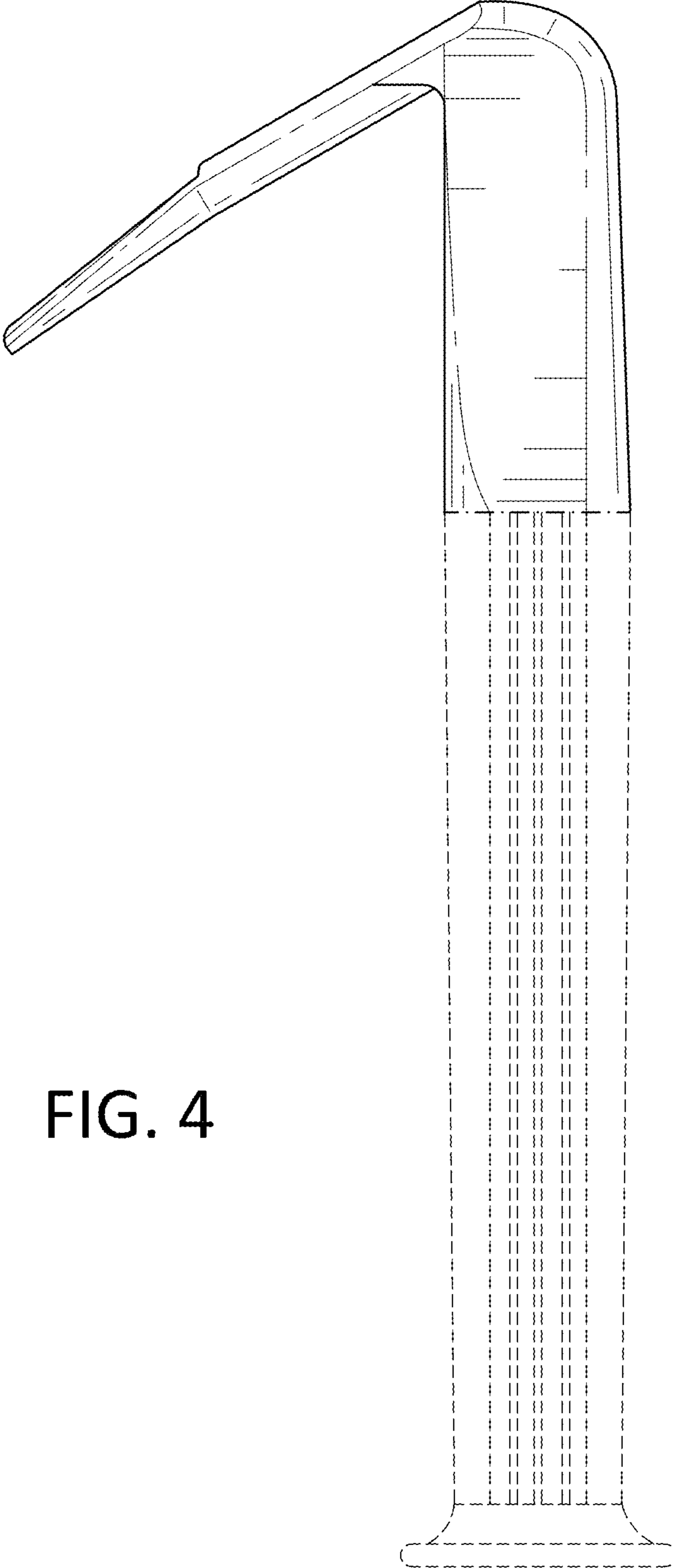


FIG. 4



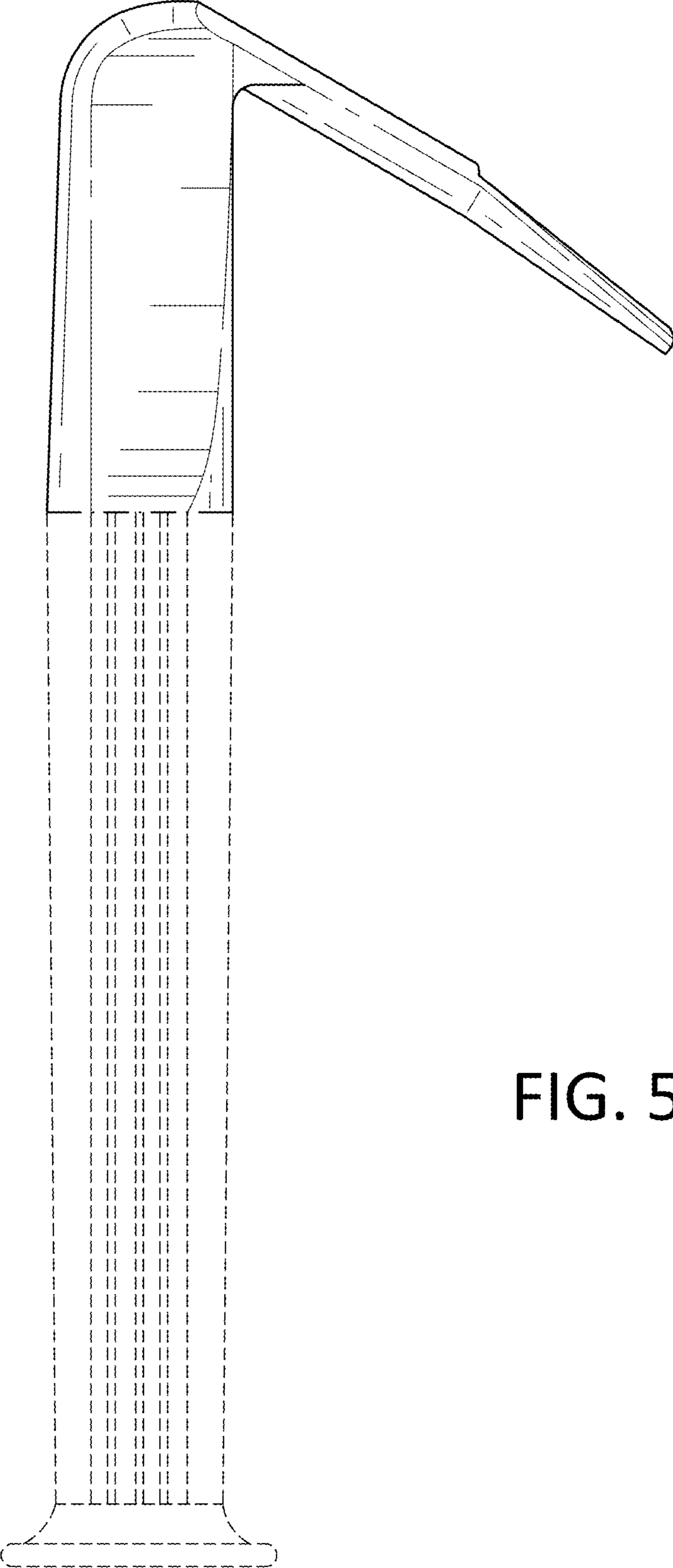


FIG. 5

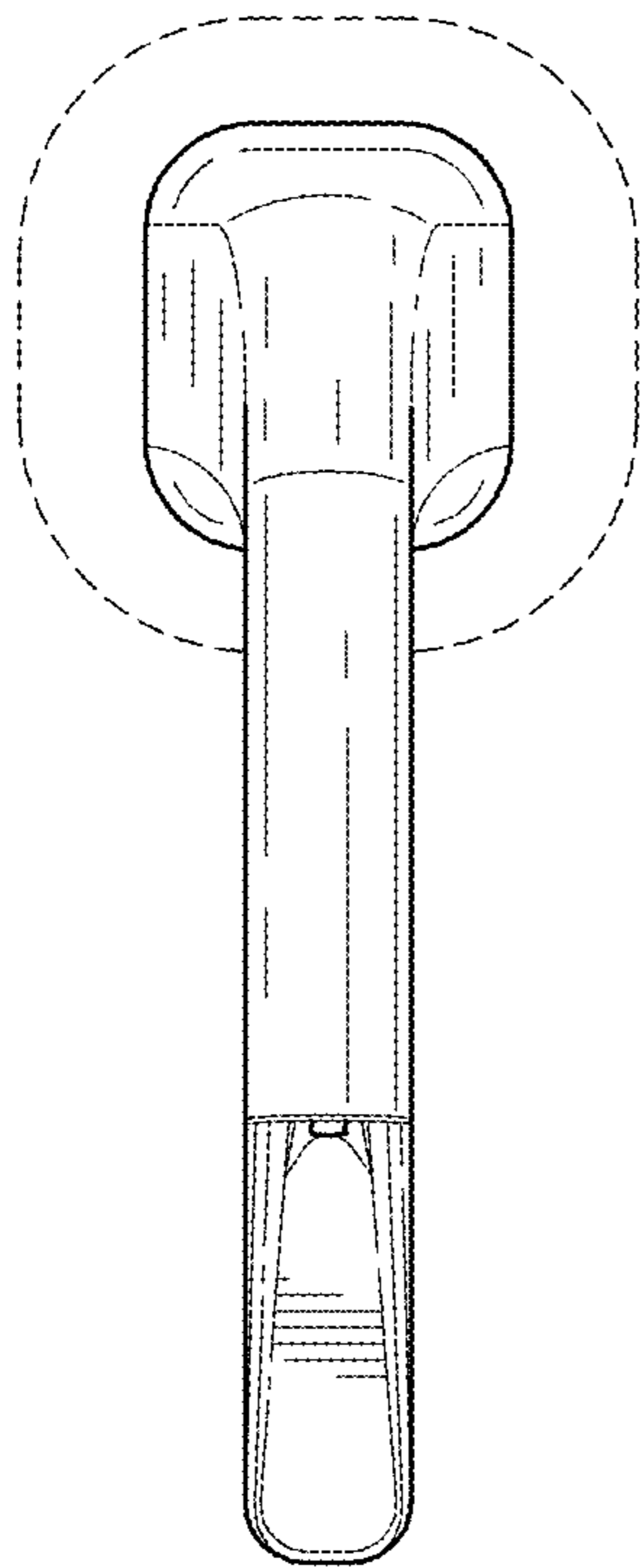


FIG. 6

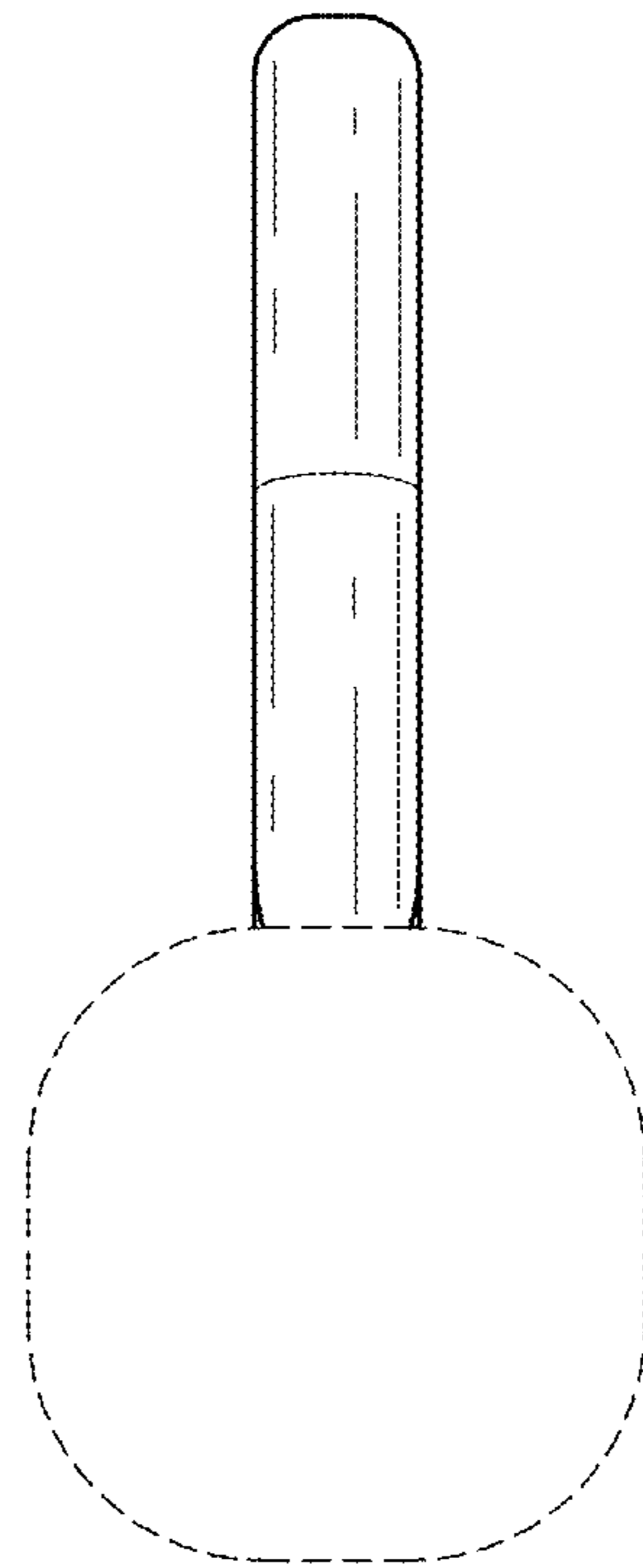


FIG. 7