



US00D904605S

(12) **United States Design Patent** (10) **Patent No.:** **US D904,605 S**  
**Shi** (45) **Date of Patent:** **\*\* Dec. 8, 2020**

(54) **BASE OF MEDICAL USE INJECTION NEEDLE**

(71) Applicant: **SHALI MEDICAL (SUZHOU) INC.,**  
Jiangsu (CN)

(72) Inventor: **Guoping Shi,** Suzhou (CN)

(73) Assignee: **SHALI MEDICAL (SUZHOU) INC.,**  
Jiangsu (CN)

(\*\*) Term: **15 Years**

(21) Appl. No.: **29/700,040**

(22) Filed: **Jul. 31, 2019**

(51) **LOC (12) Cl.** ..... **24-02**

(52) **U.S. Cl.**  
USPC ..... **D24/130**

(58) **Field of Classification Search**  
USPC ..... D24/127–131, 112–114, 133, 186;  
606/181, 185; 604/264, 523–528, 272,  
604/187, 158, 164.01–164.11, 181, 184,  
604/227; 600/101, 139, 143;  
128/200.24, 207.14, 207.15  
CPC ..... A61M 5/348; A61M 5/50; A61M 5/3221;  
A61M 5/502; A61M 5/344; A61M 5/504;  
A61M 5/34; A61M 5/32  
See application file for complete search history.

(56) **References Cited**

U.S. PATENT DOCUMENTS

D417,397 S \* 12/1999 Forecast ..... D9/438  
D608,900 S \* 1/2010 Giraud ..... D24/216

D687,709 S \* 8/2013 Taylor ..... D9/453  
D714,146 S \* 9/2014 King ..... D9/453  
D756,221 S \* 5/2016 Koop ..... D9/453  
D760,384 S \* 6/2016 Niunoya ..... D24/127  
D787,054 S \* 5/2017 Rini ..... D24/130  
D790,624 S \* 6/2017 Matsushita ..... D18/56  
D806,241 S \* 12/2017 Swinney ..... D24/129  
D811,220 S \* 2/2018 Bohorquez Montenegro .....  
D9/453  
D846,987 S \* 4/2019 Neputy ..... D9/453  
D865,521 S \* 11/2019 Ishizawa ..... D9/453  
D883,476 S \* 5/2020 Lofthouse ..... D24/127

\* cited by examiner

*Primary Examiner* — Nathan M Johnston

(74) *Attorney, Agent, or Firm* — JCIP Global Inc.

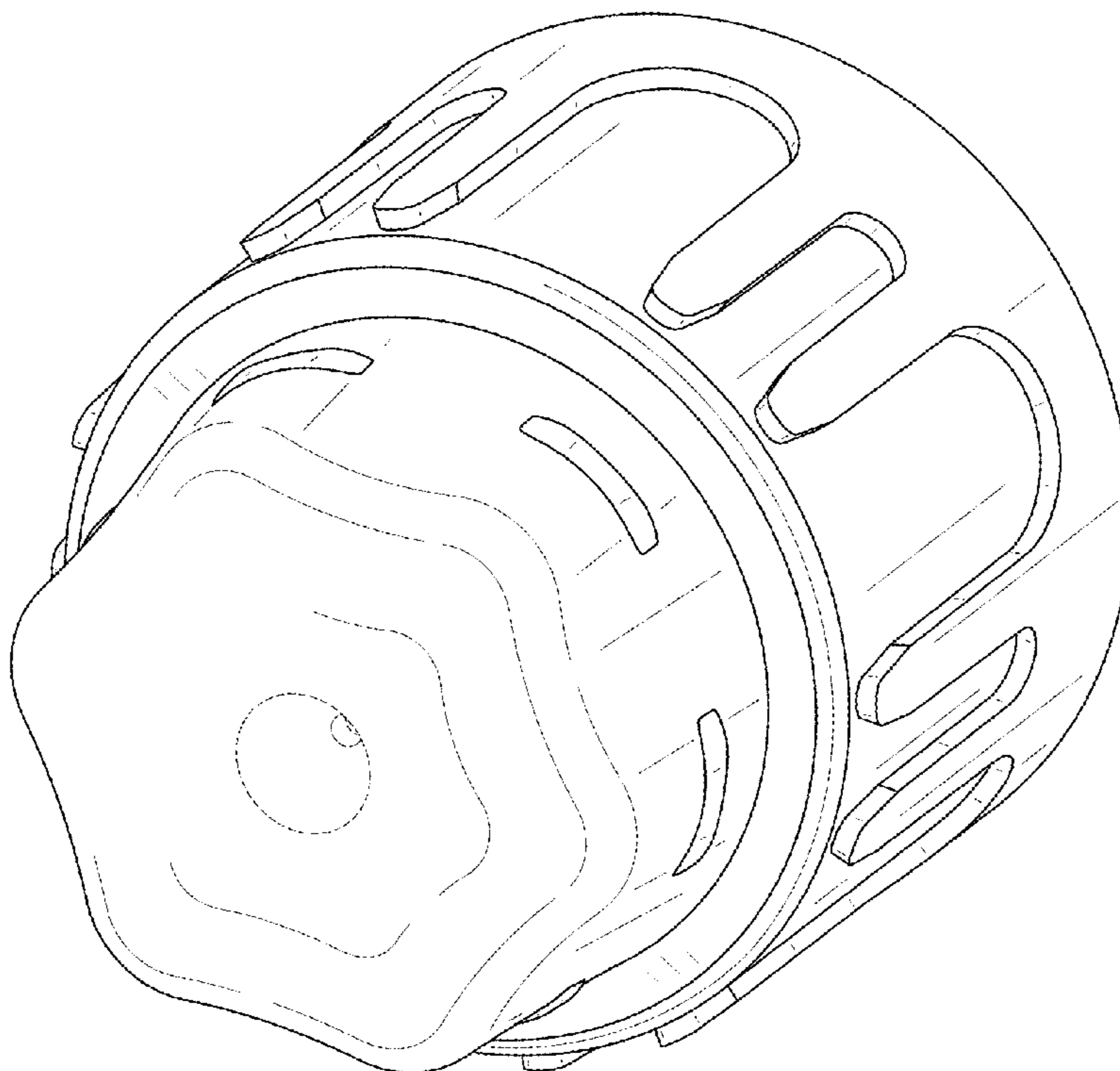
(57) **CLAIM**

The ornamental design for a base of medical use injection needle, as shown and described.

**DESCRIPTION**

FIG. 1 is a perspective view of a base of medical use injection needle showing my new design;  
FIG. 2 is a front view thereof;  
FIG. 3 is a rear view thereof;  
FIG. 4 is a left side view thereof;  
FIG. 5 is a right side view thereof;  
FIG. 6 is a top view thereof; and,  
FIG. 7 is a bottom view thereof.  
The broken line showing of the base of medical use injection needle represent unclaimed portions of the claimed design and form no part of the claim.

**1 Claim, 4 Drawing Sheets**



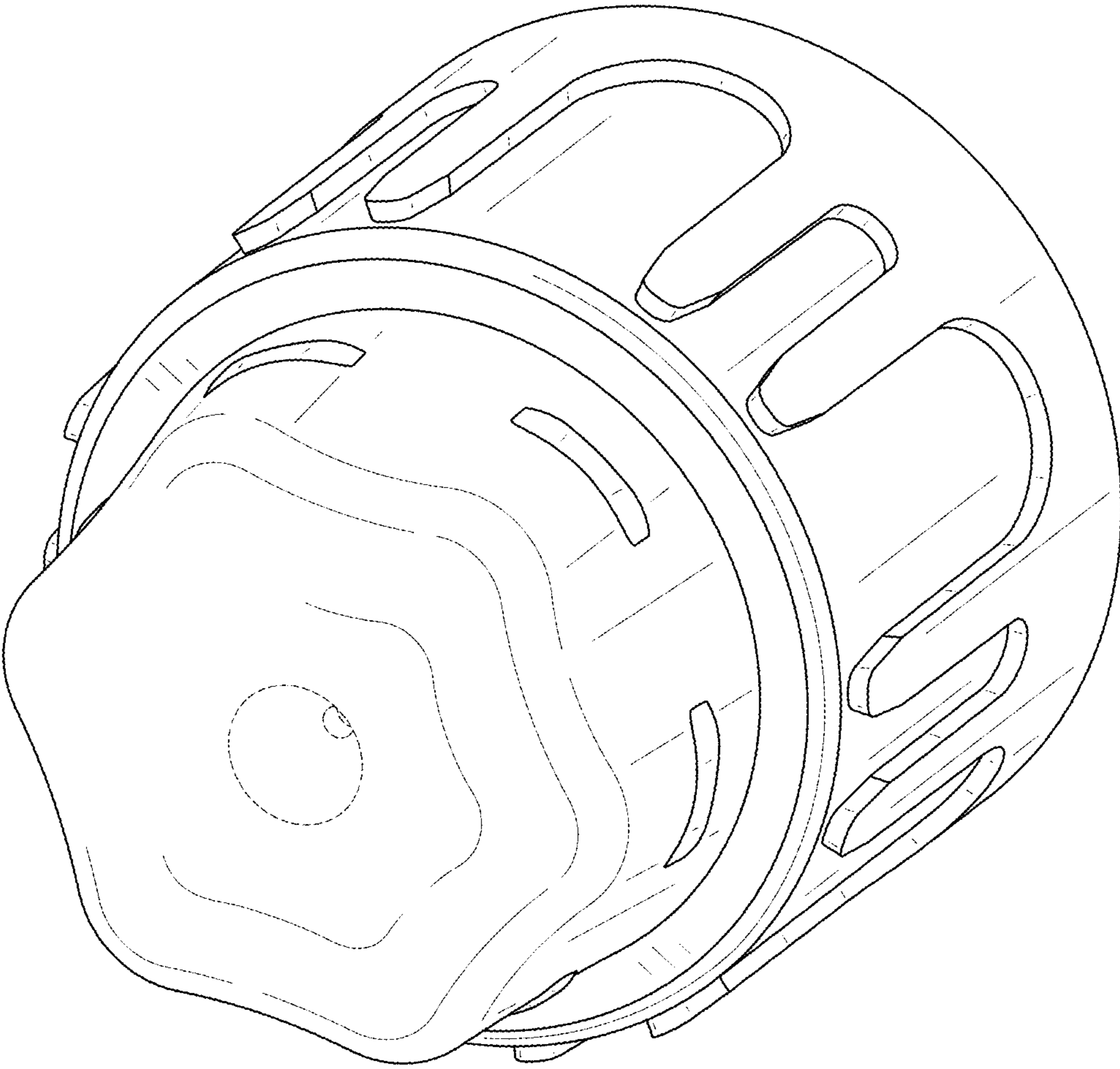


FIG. 1

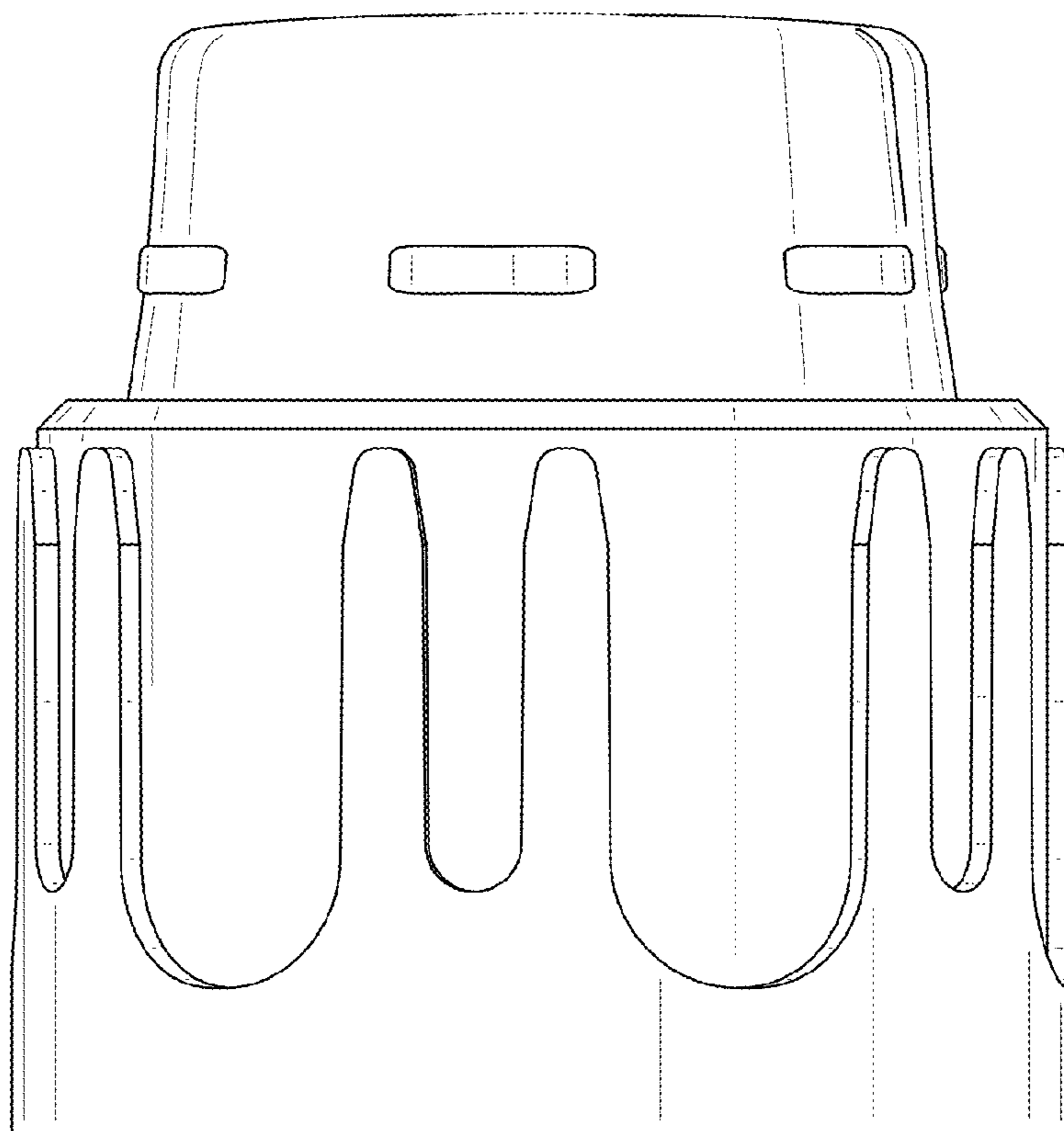


FIG. 2

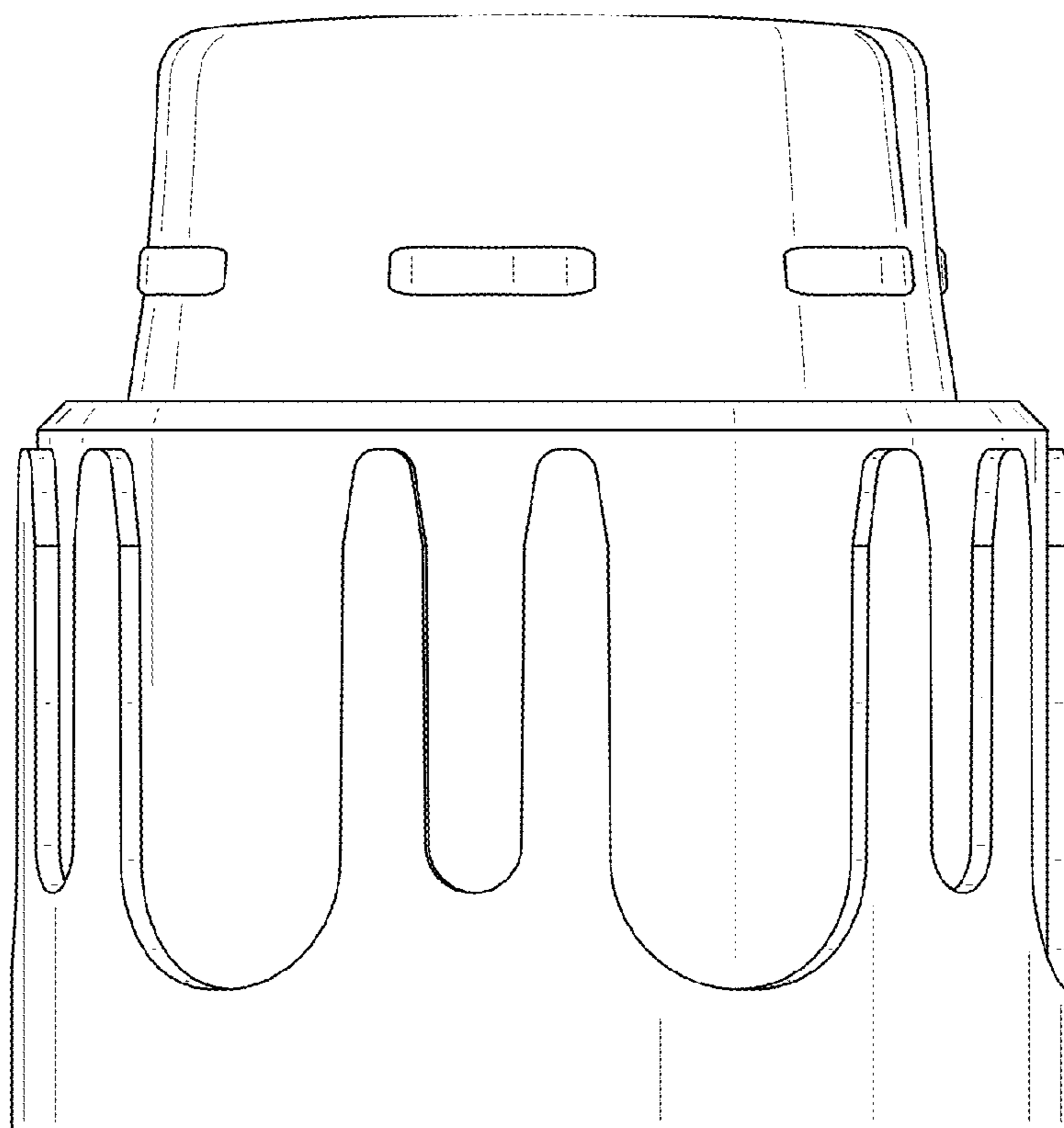


FIG. 3

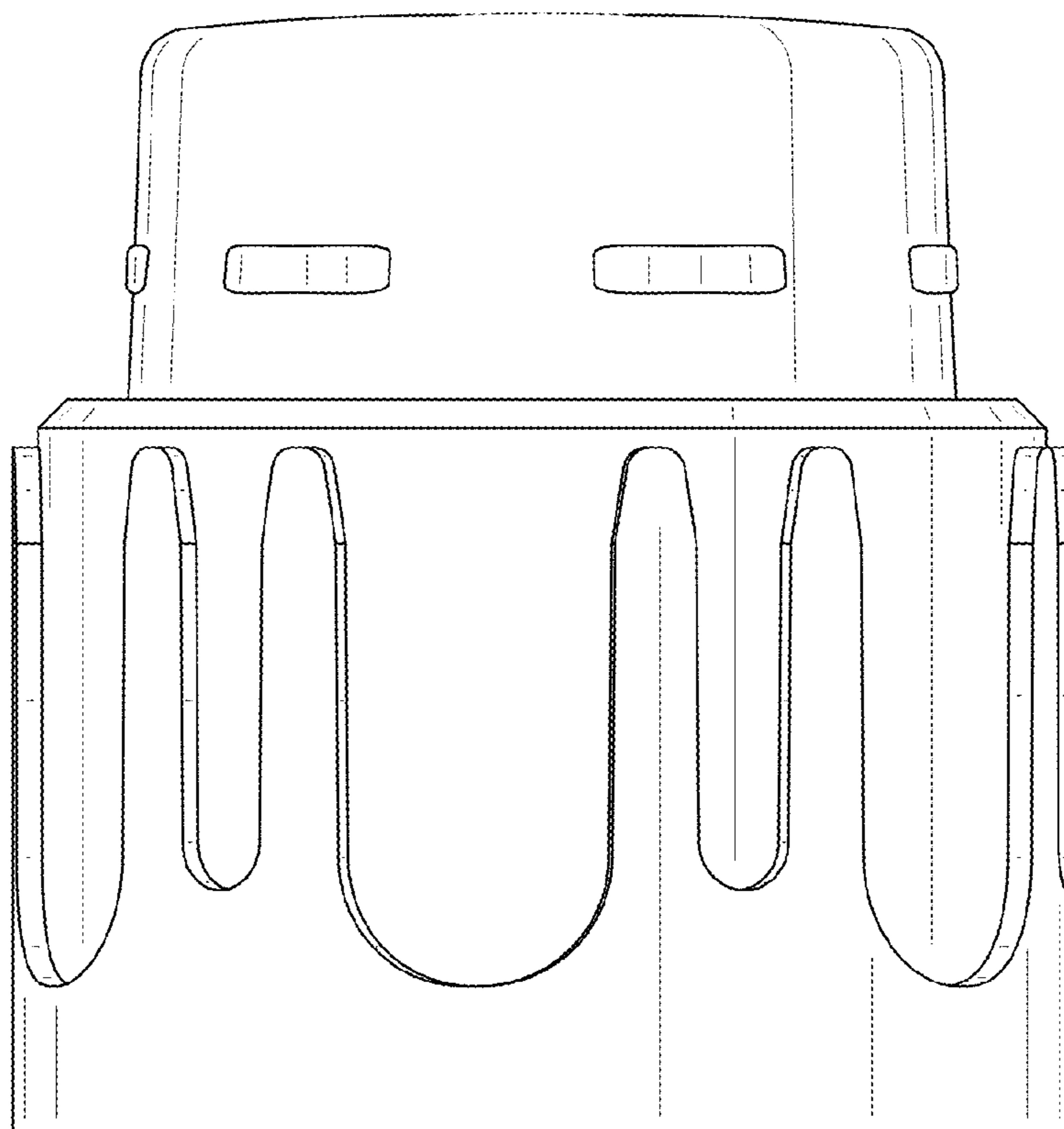


FIG. 4

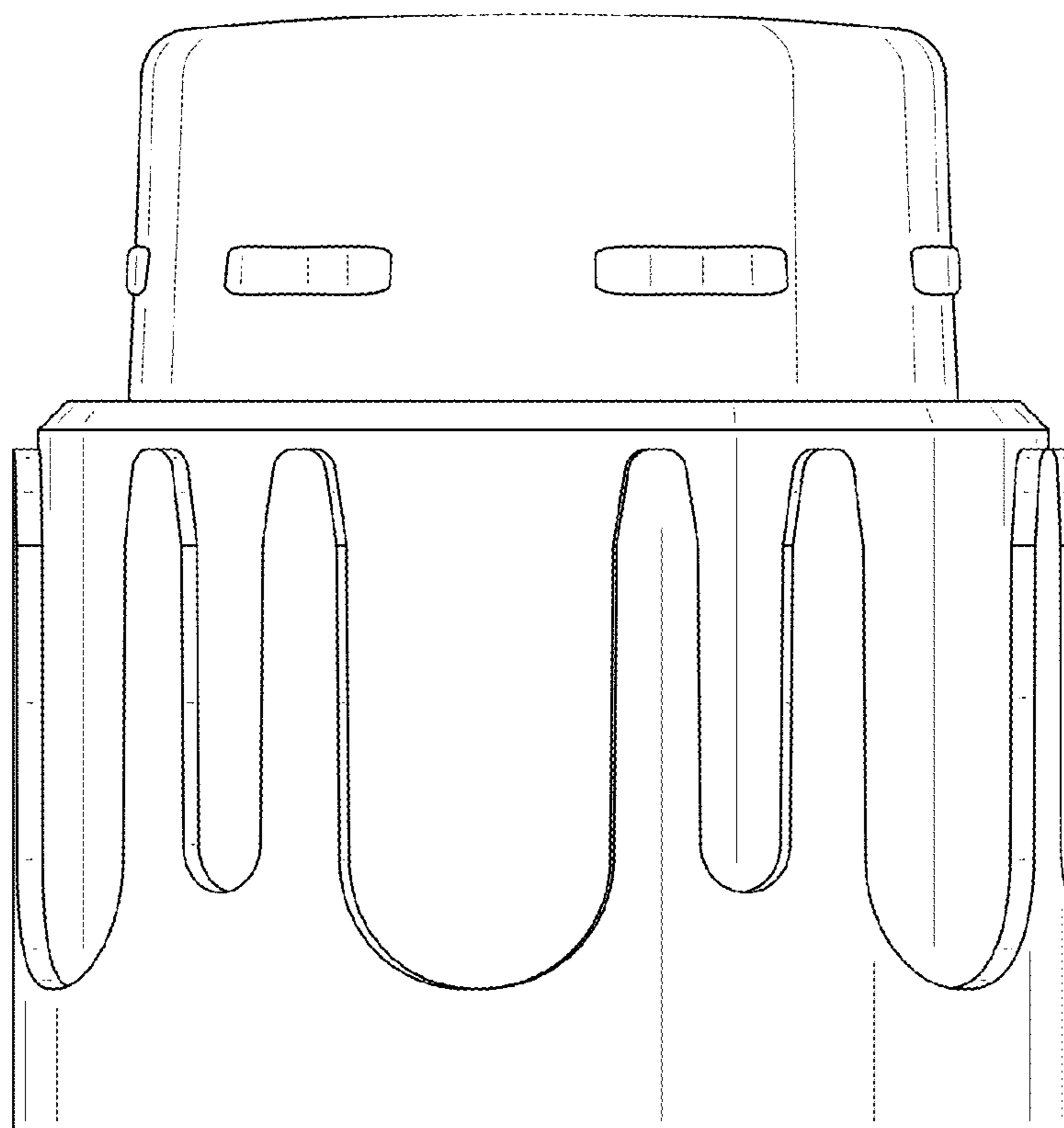


FIG. 5

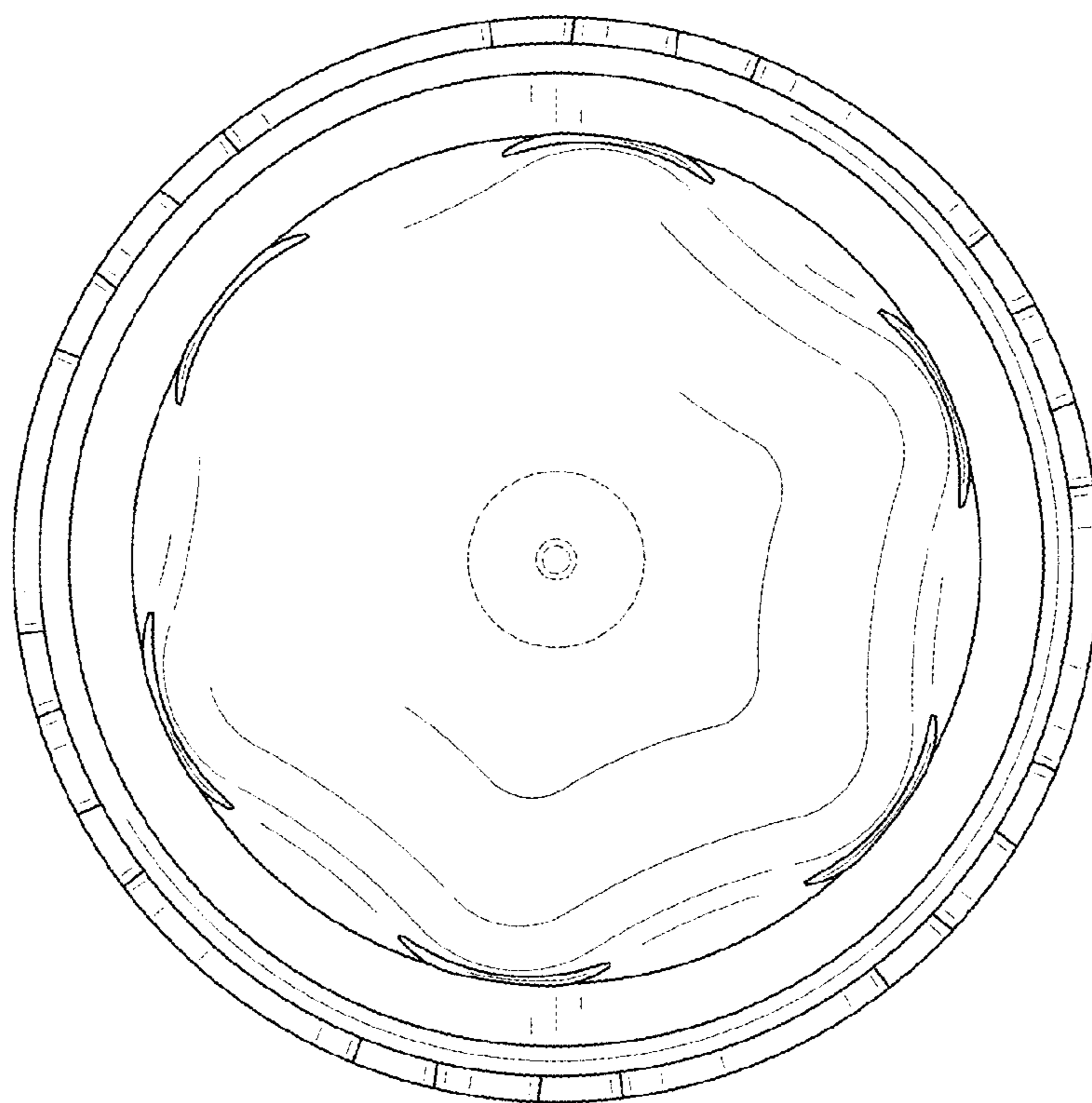


FIG. 6

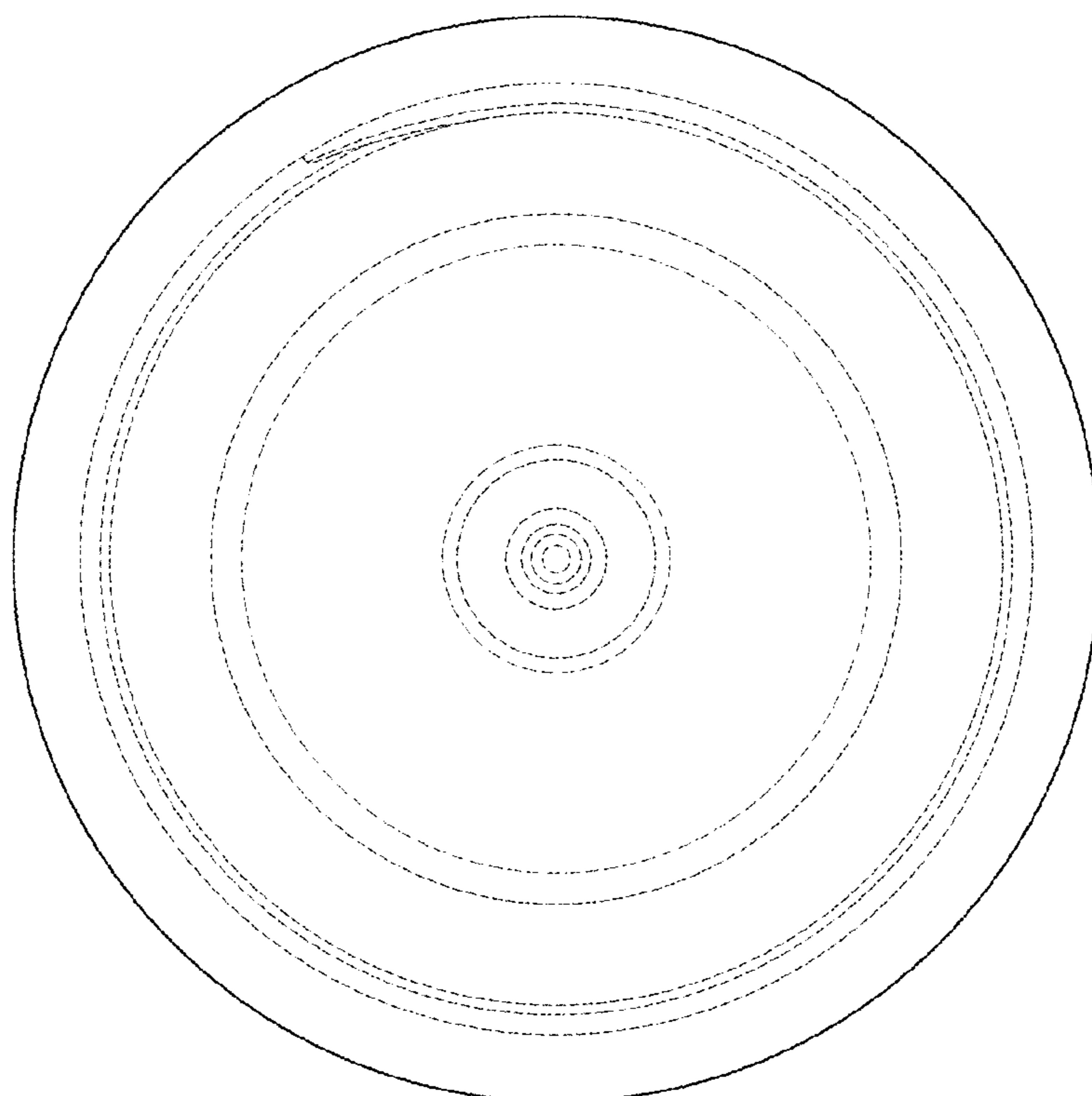


FIG. 7