



US00D904604S

(12) **United States Design Patent** (10) **Patent No.:** **US D904,604 S**
Tsai (45) **Date of Patent:** **** Dec. 8, 2020**

(54) **MEDICINAL RECONSTITUTION AND DELIVERY DEVICE**

(56) **References Cited**

(71) Applicant: **Summit International Medical Technologies, Inc.**, Franklin, MA (US)

U.S. PATENT DOCUMENTS

(72) Inventor: **Hsi Chin Tsai**, Franklin, MA (US)

D573,250 S * 7/2008 MacRae D24/108
D752,215 S * 3/2016 Blennow D24/130
D765,837 S 9/2016 Lev et al.
D767,124 S 9/2016 Lev et al.
D844,774 S * 4/2019 Akcay A61B 5/150732

(73) Assignee: **Summit International Medical Technologies, Inc.**, Franklin, MA (US)

D879,951 S * 3/2020 Kucklick D24/112
D881,389 S * 4/2020 Wang D24/129
D881,390 S * 4/2020 Wang D24/129

(**) Term: **15 Years**

* cited by examiner

(21) Appl. No.: **29/694,855**

Primary Examiner — Nathan M Johnston

(22) Filed: **Jun. 13, 2019**

(74) *Attorney, Agent, or Firm* — Armis IP Law, LLC

(51) **LOC (12) Cl.** **24-02**

(57) **CLAIM**

(52) **U.S. Cl.**

The ornamental design for medicinal reconstitution and delivery device, substantially as shown.

USPC **D24/129**

DESCRIPTION

(58) **Field of Classification Search**

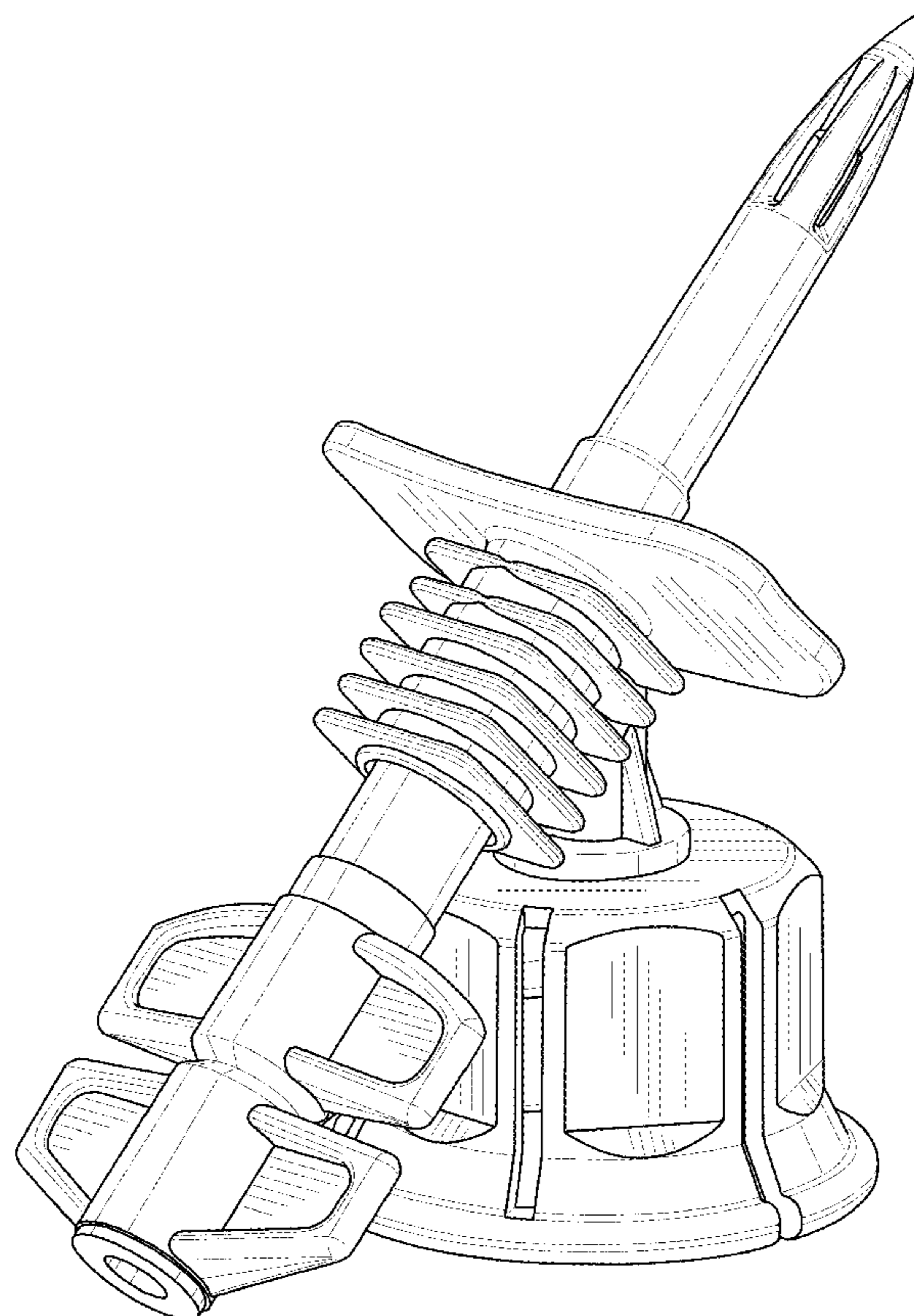
USPC D24/127–131, 112–114, 133, 186;
606/181, 185; 604/264, 523–528, 272,
604/187, 158, 164.01–164.11, 181, 184,
604/227; 600/101, 139, 143;
128/200.24, 207.14, 207.15

FIG. 1 is a perspective view of the medicinal reconstitution and delivery device at rest on a flat surface; FIG. 2 is a left side elevation of the device of FIG. 1; FIG. 3 is a right side elevation of the device of FIG. 1; FIG. 4 shows a front elevation of the device of FIG. 1; FIG. 5 shows a rear elevation of the device of FIG. 1; FIG. 6 is a top view of the device of FIG. 1; and, FIG. 7 is a bottom view of the device of FIG. 1.

CPC A61M 16/16; A61M 11/06; A61M 5/1408;
A61M 15/0086; A61M 16/08; A61M
15/009; A61M 37/00; Y10S 261/65

See application file for complete search history.

1 Claim, 7 Drawing Sheets



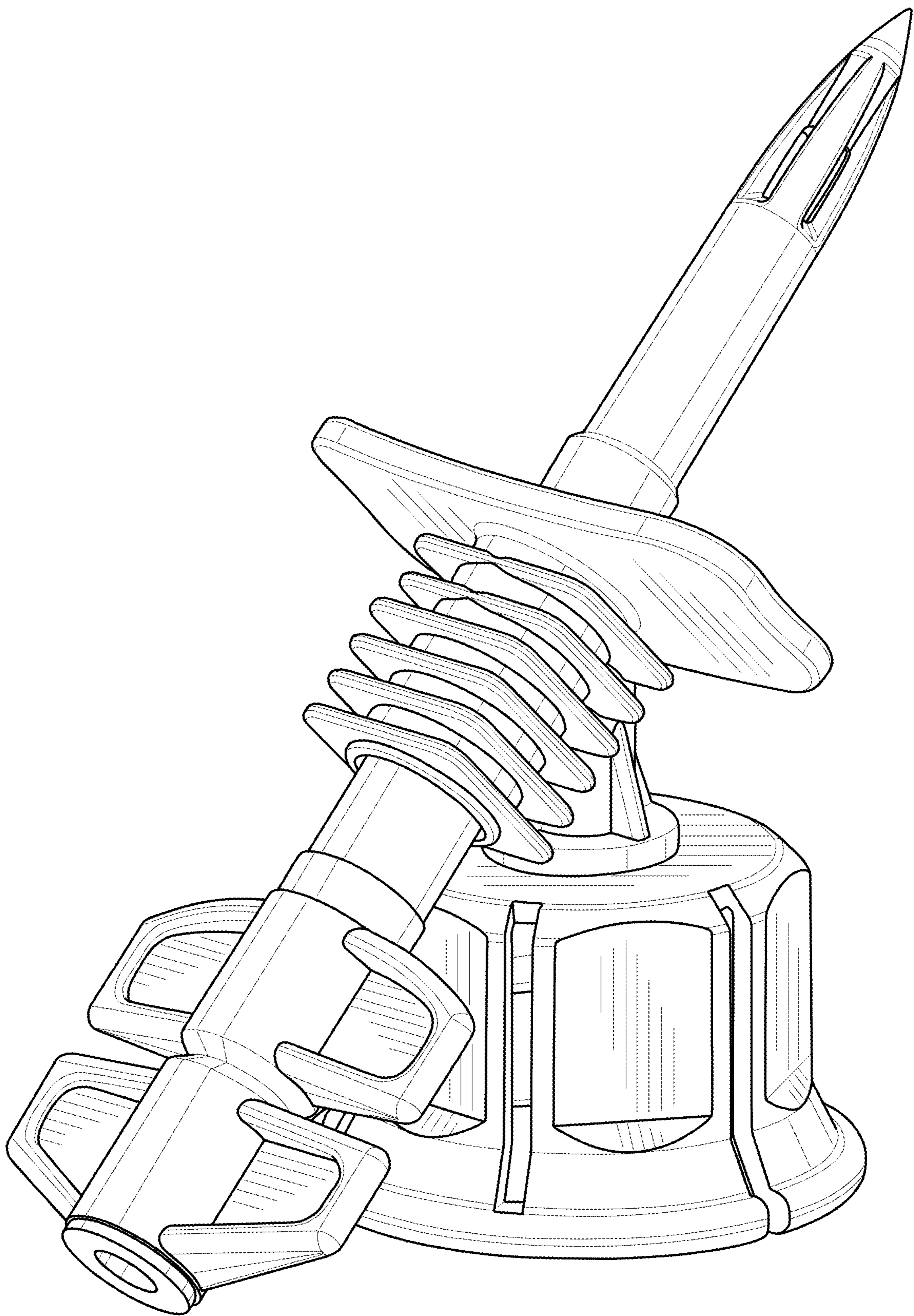


FIG. 1

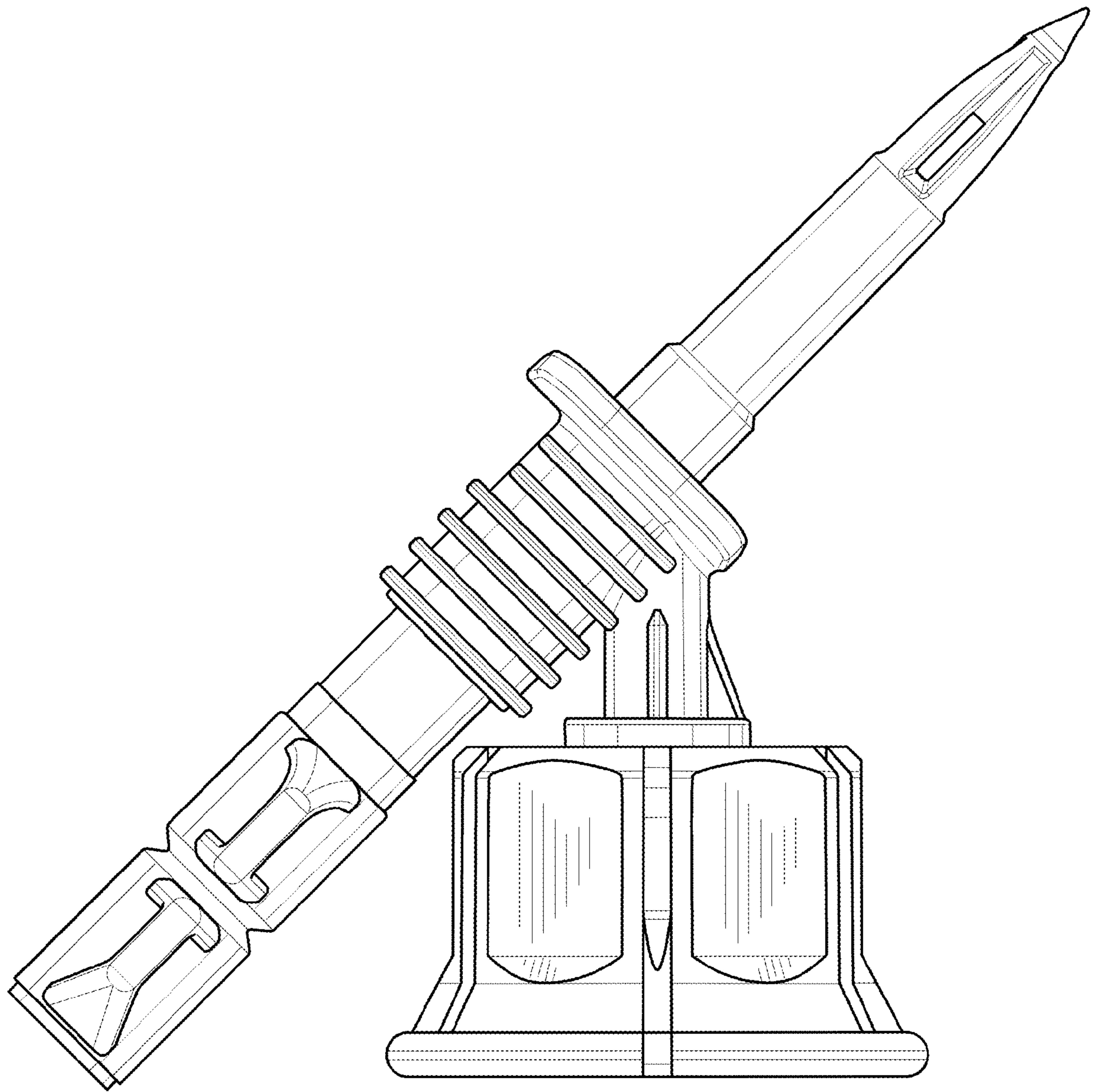


FIG. 2

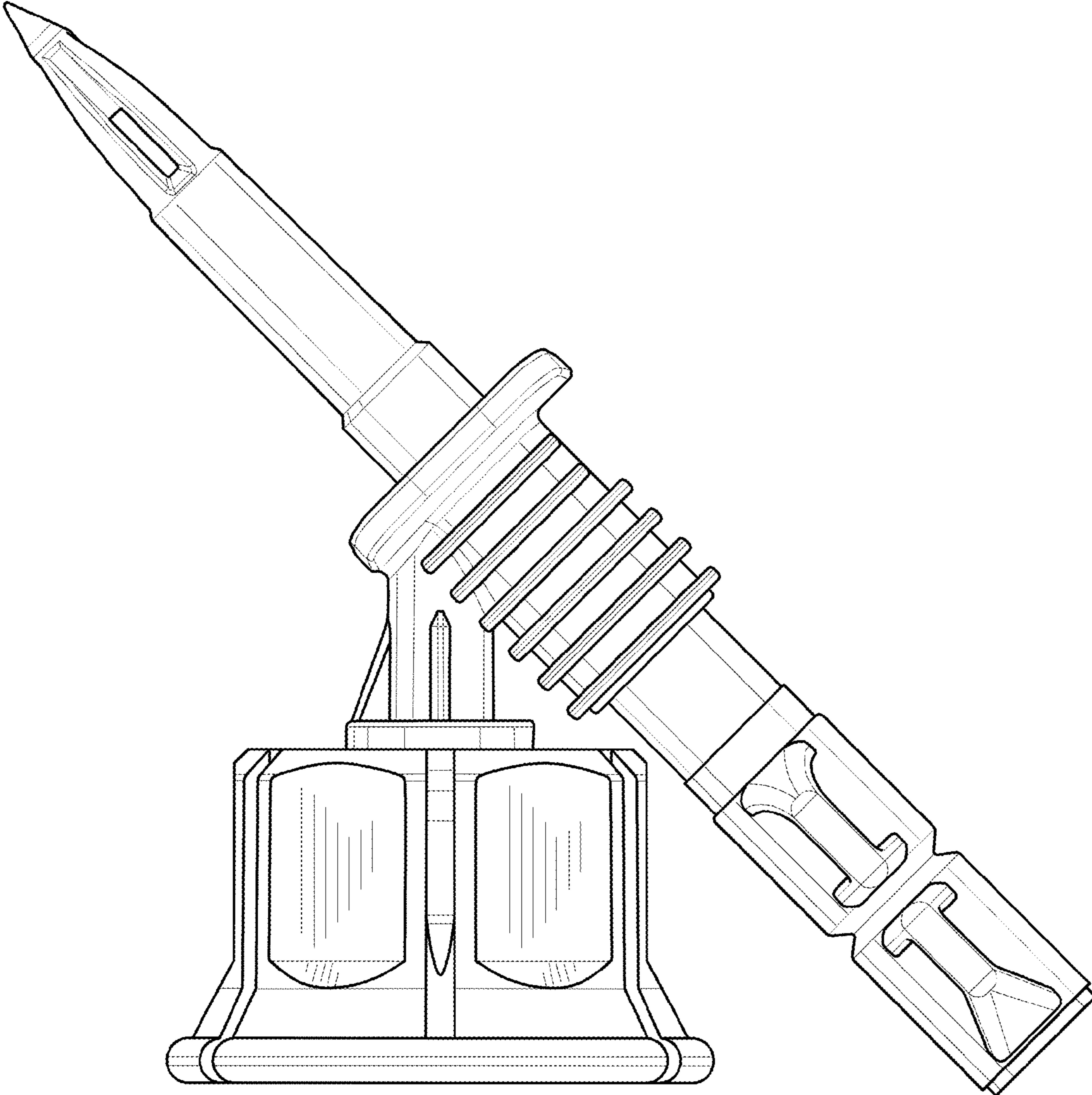


FIG. 3

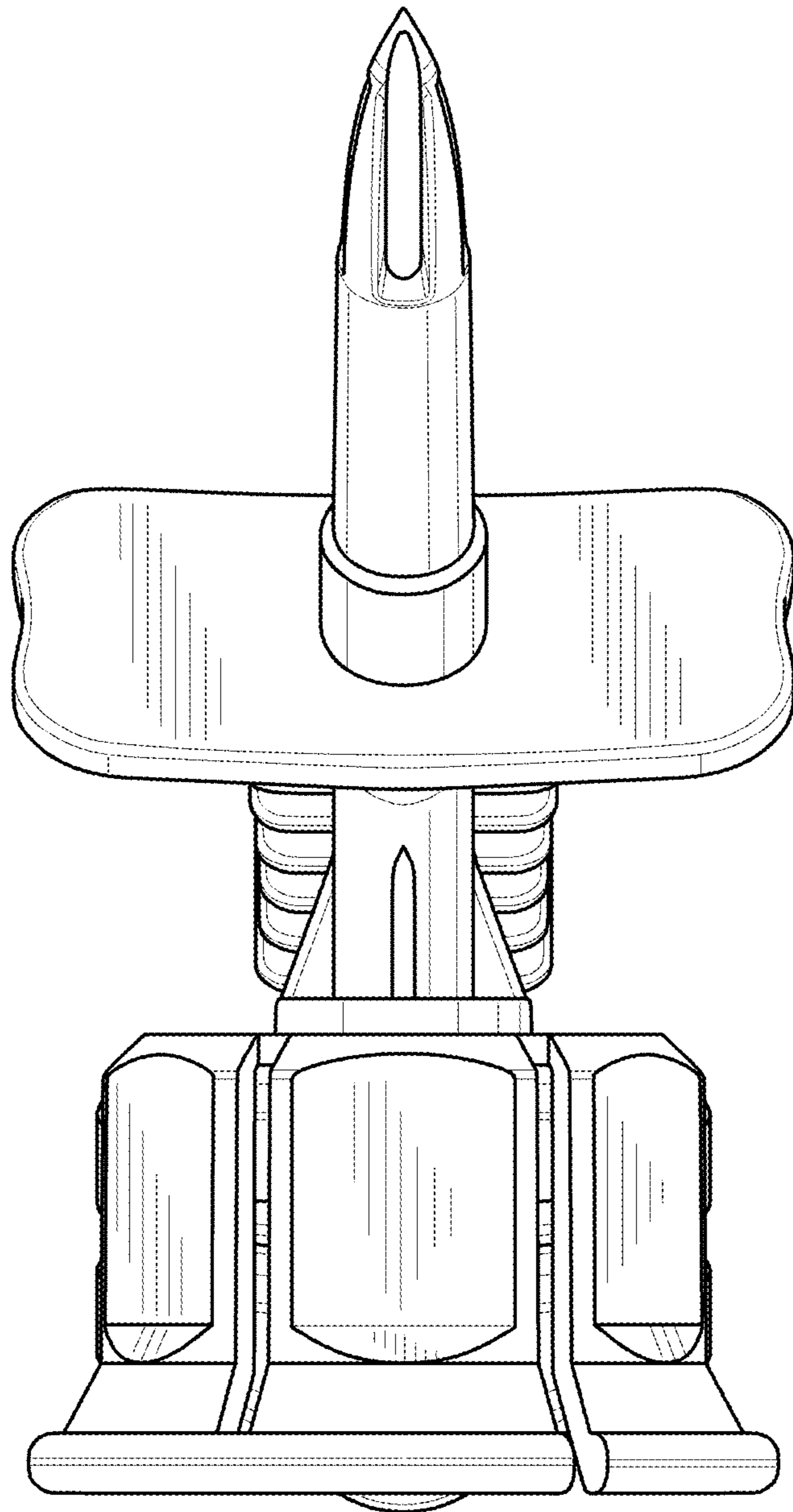


FIG. 4

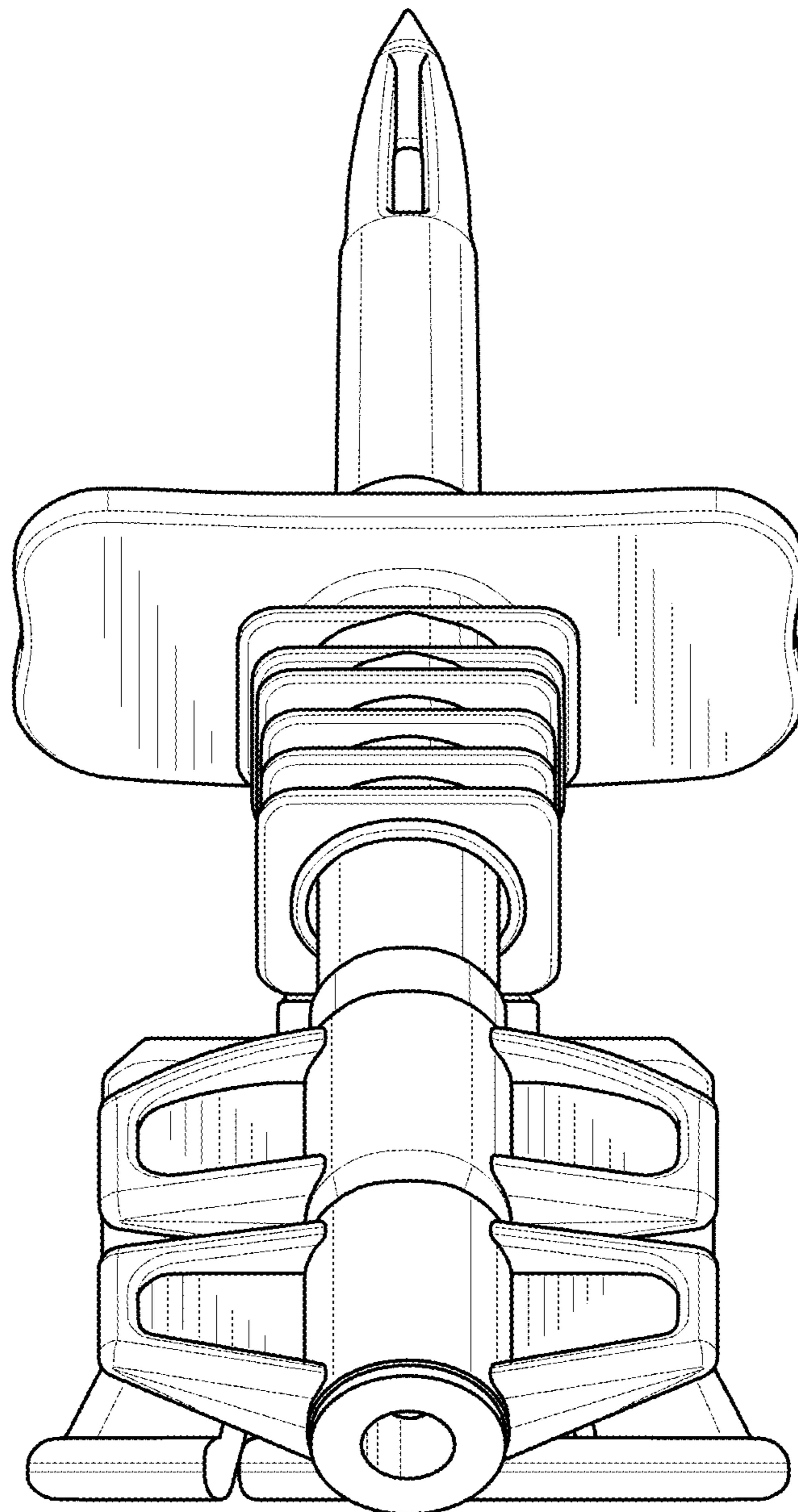


FIG. 5

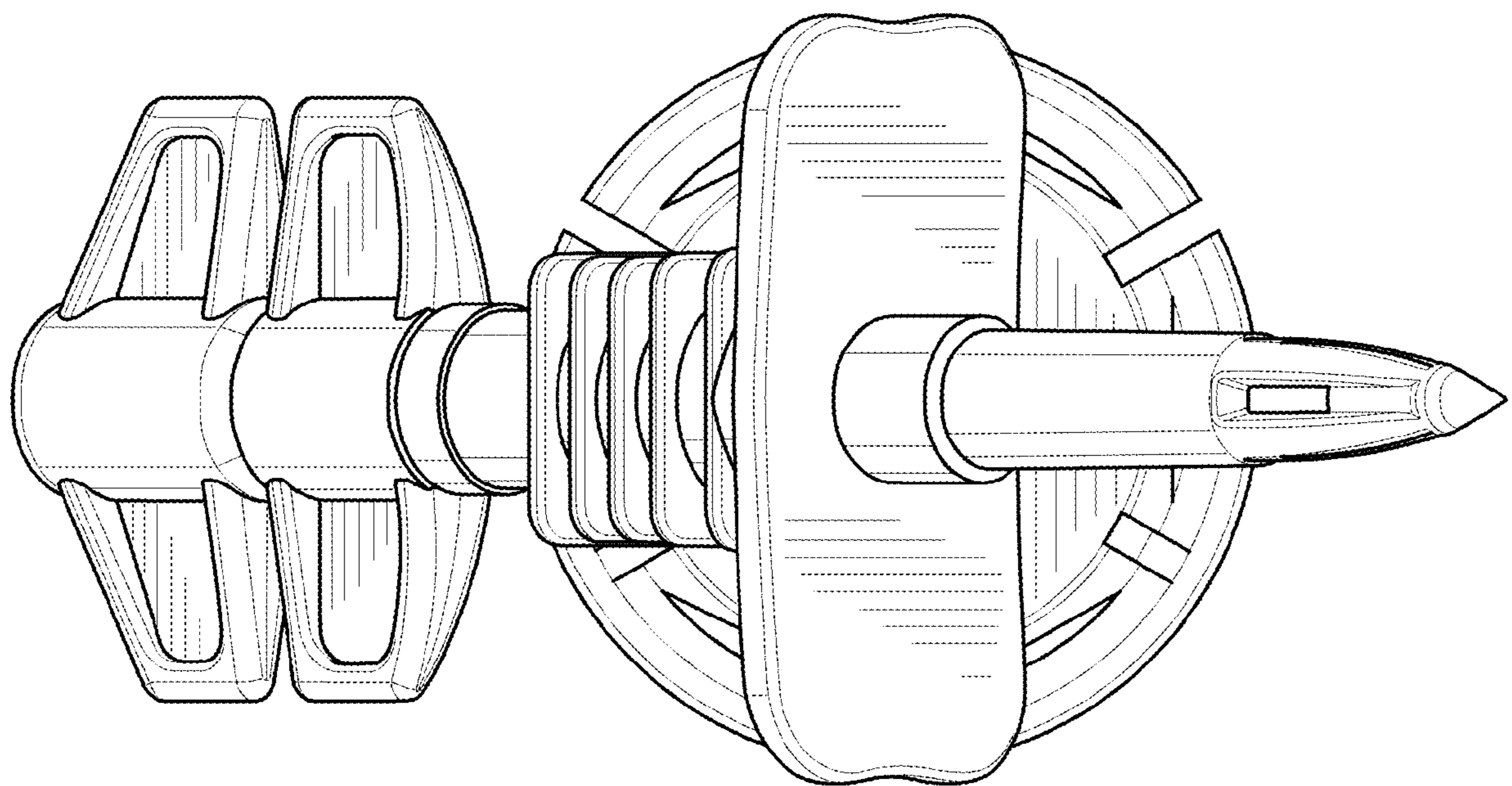


FIG. 6

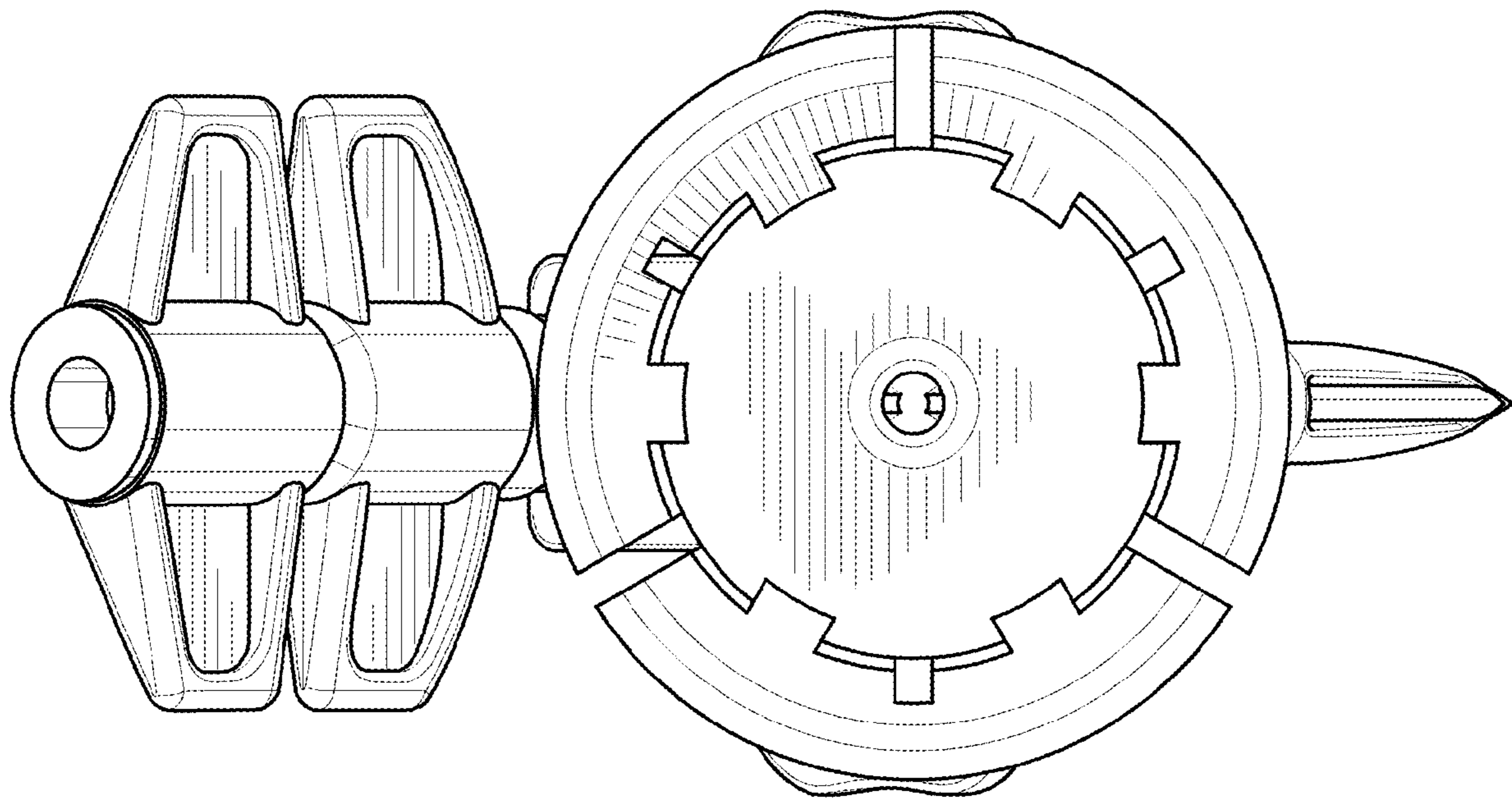


FIG. 7