



US00D904603S

(12) **United States Design Patent** (10) **Patent No.:** **US D904,603 S**
Cichocki, Jr. et al. (45) **Date of Patent:** **** Dec. 8, 2020**

(54) **BARBED MICROCATHETER WITH SPACED ELONGATED SLITS**

(71) Applicant: **Ethicon, Inc.**, Somerville, NJ (US)

(72) Inventors: **Frank Richard Cichocki, Jr.**, Easton, PA (US); **Scott Ciarrocca**, Stockton, NJ (US)

(73) Assignee: **Ethicon, Inc.**, Somerville, NJ (US)

(**) Term: **15 Years**

(21) Appl. No.: **29/705,606**

(22) Filed: **Sep. 13, 2019**

(51) **LOC (12) Cl.** **24-02**

(52) **U.S. Cl.**
USPC **D24/112**

(58) **Field of Classification Search**
USPC D24/112-114, 133, 186, 127-131; 606/181, 185; 604/264, 523-528, 272, 604/187, 158, 164.01-164.11, 181, 184, 604/227; 600/101, 139, 143; 128/200.24, 207.14, 207.15
CPC A61M 25/0015; A61M 25/0028; A61M 2025/0003; A61M 2025/0042; A61M 2025/009; A61M 2025/0096; A61M 2025/091; A61L 29/148
See application file for complete search history.

(56) **References Cited**

U.S. PATENT DOCUMENTS

3,990,485	A *	11/1976	Uhl	B21F 25/00	140/58
5,458,582	A	10/1995	Nakeo			
D397,590	S *	9/1998	Meloni	D8/8	
D414,264	S *	9/1999	Weller	D24/105	
D429,820	S *	8/2000	Meske	D24/217	
6,241,747	B1 *	6/2001	Ruff	A61B 17/06109	411/456

D547,623	S *	7/2007	Mooney	D8/8	
D584,576	S *	1/2009	Debayer	D7/412	
7,704,230	B2	4/2010	Chatlynne et al.			
7,875,055	B2	1/2011	Cichocki			
8,100,941	B2	1/2012	Lindh et al.			
8,128,656	B2	3/2012	Cichocki			
8,226,684	B2	7/2012	Nawrocki et al.			
8,257,393	B2	9/2012	Cichocki, Jr.			
D672,027	S *	12/2012	Williams	D23/413	
8,348,973	B2	1/2013	Stopek et al.			
8,821,539	B2	9/2014	Rousseau			
9,237,889	B2	1/2016	Dumanian et al.			
9,592,362	B2	3/2017	Chen et al.			
9,597,426	B2	3/2017	Ostapoff et al.			
D799,554	S *	10/2017	Peterson	D15/11	
9,775,928	B2	10/2017	Ostapoff et al.			
D850,873	S *	6/2019	Grolimund	D8/20	

(Continued)

Primary Examiner — Nathan M Johnston

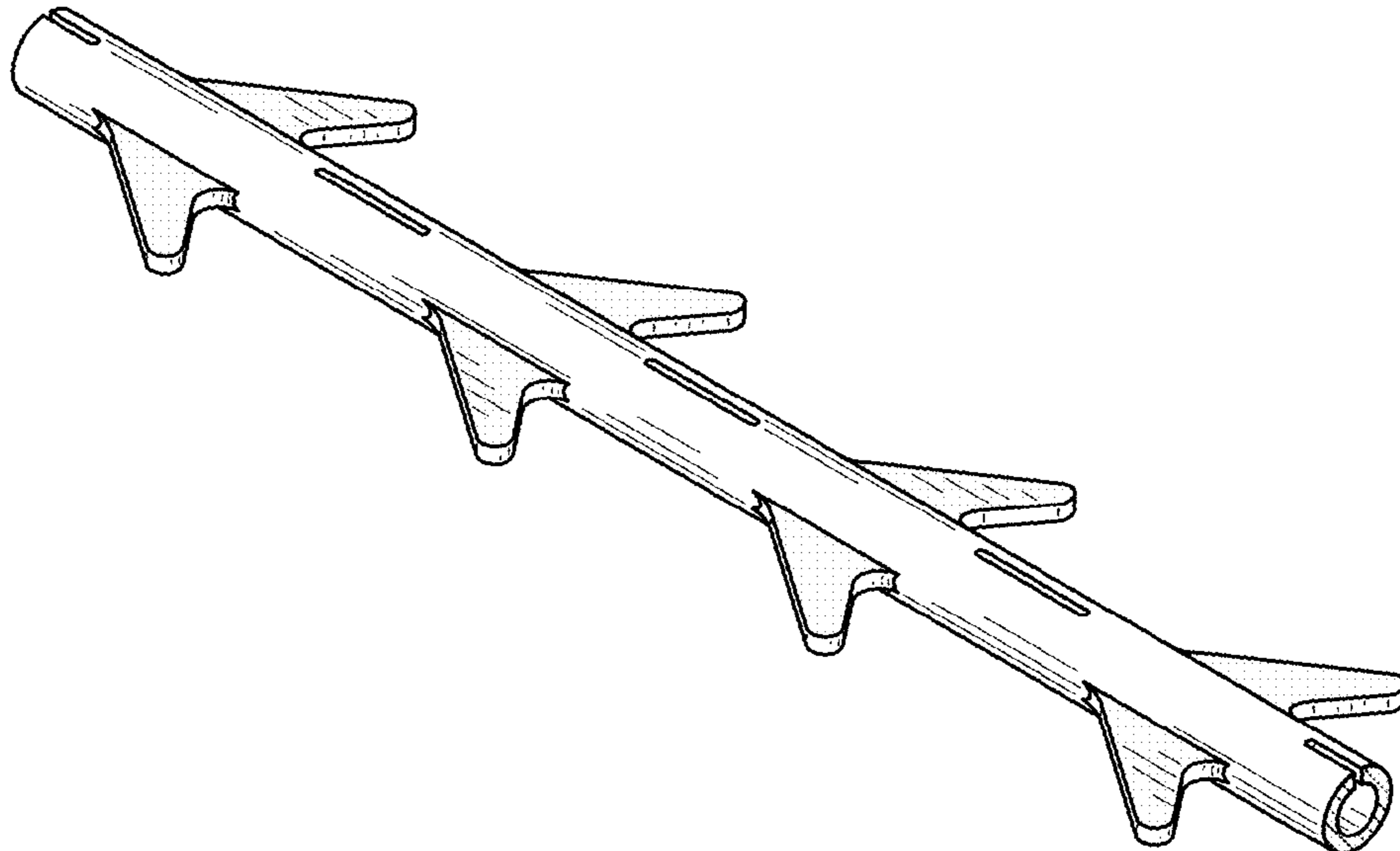
(57) **CLAIM**

The ornamental design for a barbed microcatheter with spaced elongated slits, as shown and described.

DESCRIPTION

FIG. 1 is a perspective view of a barbed microcatheter with spaced elongated slits, showing our new design; FIG. 2 is a top plan view of the barbed microcatheter with spaced elongated slits shown in FIG. 1; FIG. 3 is a bottom view of the barbed microcatheter with spaced elongated slits shown in FIG. 1; FIG. 4 is a proximal end view of the barbed microcatheter with spaced elongated slits shown in FIG. 1; FIG. 5 is a distal end view of the barbed microcatheter with spaced elongated slits shown in FIG. 1; FIG. 6 is a left side view of the barbed microcatheter with spaced elongated slits shown in FIG. 1; and, FIG. 7 is a right side view of the barbed microcatheter with spaced elongated slits shown in FIG. 1.

1 Claim, 2 Drawing Sheets



(56)

References Cited

U.S. PATENT DOCUMENTS

2003/0149447 A1* 8/2003 Morency A61B 17/06166
606/228

2007/0005109 A1* 1/2007 Popadiuk A61B 17/06166
606/228

2007/0005110 A1* 1/2007 Collier A61F 2/2409
606/228

2008/0195147 A1* 8/2008 Stopek A61L 17/005
606/228

2009/0248066 A1* 10/2009 Wilkie A61B 17/06166
606/228

2010/0023055 A1* 1/2010 Rousseau A61B 17/06166
606/228

2010/0198257 A1* 8/2010 Stopek A61L 17/005
606/228

2010/0317996 A1* 12/2010 Dillon A61B 10/0266
600/567

2011/0048216 A1* 3/2011 Lindh, Sr. D04C 3/48
87/34

2011/0054522 A1* 3/2011 Lindh, Sr. A61B 17/06166
606/228

2012/0109188 A1* 5/2012 Viola A61B 17/064
606/213

2012/0143349 A1* 6/2012 Peterson A61B 17/06166
623/23.72

2014/0222071 A1* 8/2014 Perkins A61B 17/06166
606/228

2015/0184983 A1* 7/2015 Pink B65H 49/08
206/494

2016/0032955 A1* 2/2016 Chang F16B 12/20
312/330.1

2018/0177505 A1* 6/2018 Chu A61B 17/06166

* cited by examiner

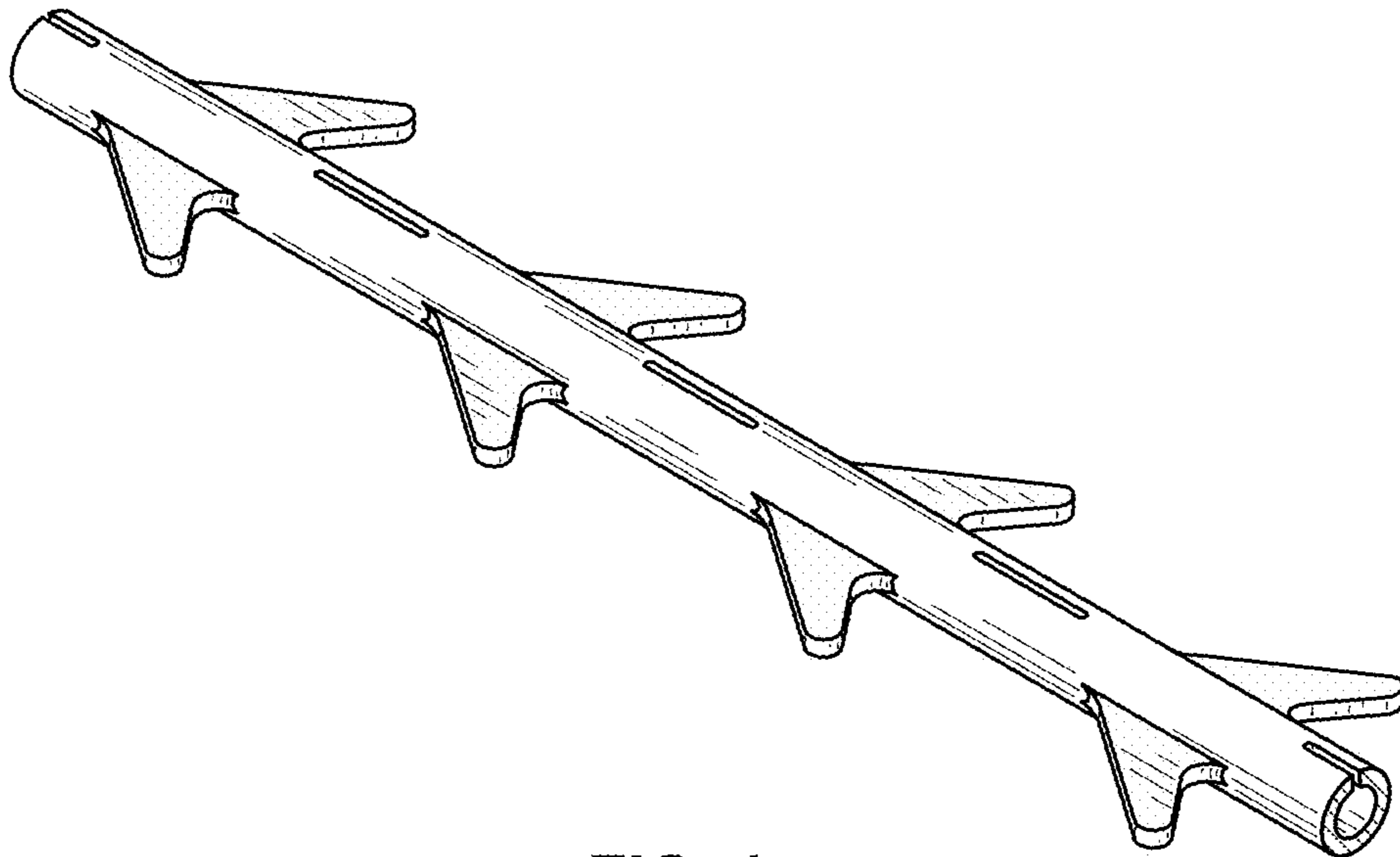


FIG. 1

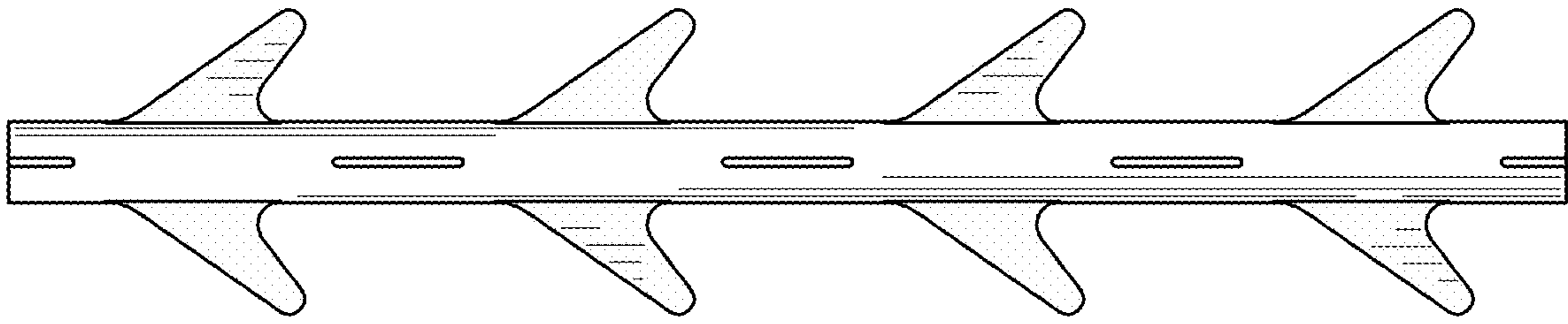


FIG. 2

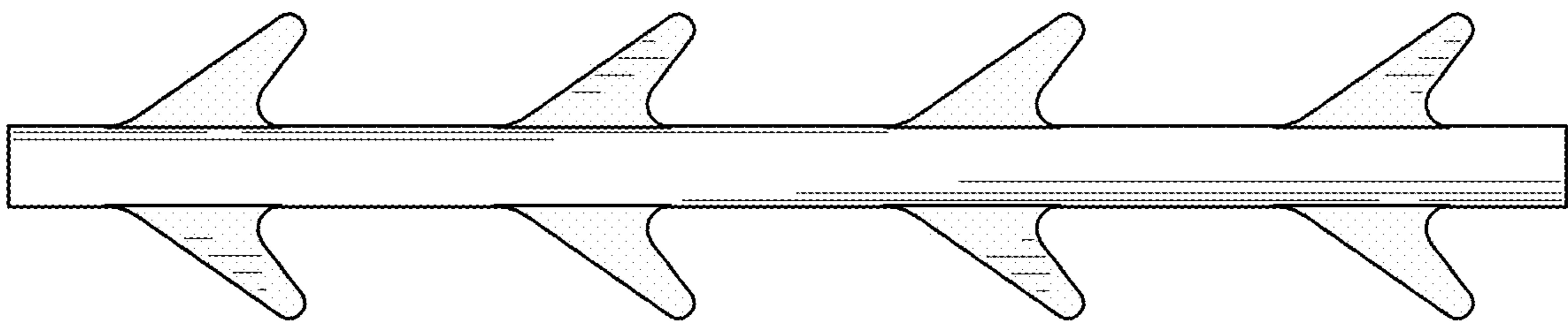


FIG. 3

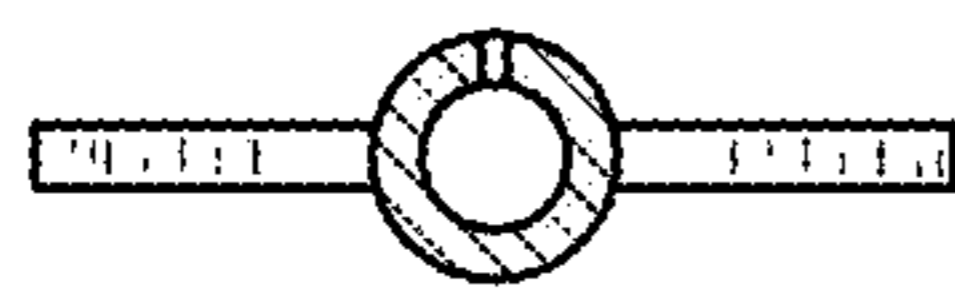


FIG. 4

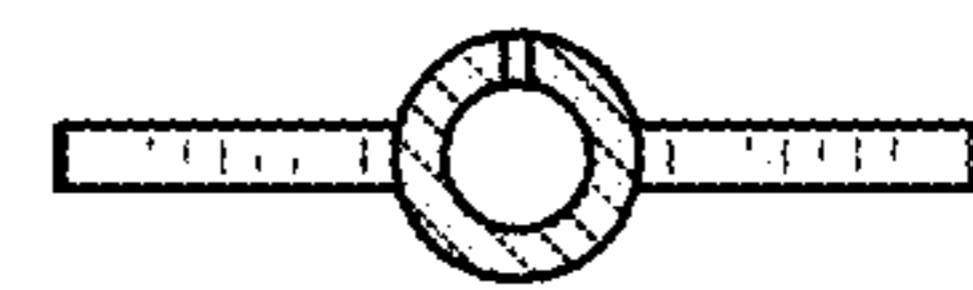


FIG. 5



FIG. 6



FIG. 7