



US00D904599S

(12) **United States Design Patent** (10) **Patent No.:** **US D904,599 S**
Tanabe et al. (45) **Date of Patent:** **** Dec. 8, 2020**

(54) **MEDICAL RESPIRATOR MASK**
(71) Applicant: **ATOM MEDICAL CORPORATION,**
Tokyo (JP)
(72) Inventors: **Takashi Tanabe,** Saitama (JP); **Kenji Kobayashi,** Saitama (JP); **Ichiro Matsubara,** Tokyo (JP)
(73) Assignee: **ATOM MEDICAL CORPORATION,**
Tokyo (JP)

D775,323 S 12/2016 Bowsher
10,065,011 B2 * 9/2018 Matsubara A61M 16/06
10,159,813 B2 * 12/2018 Matsubara A61M 16/06
D838,837 S * 1/2019 Mahaffy D24/110.1
2006/0081243 A1 * 4/2006 McDonald A61M 16/0488
128/200.24
2006/0081248 A1 * 4/2006 McDonald A61M 16/06
128/205.25
2006/0196510 A1 * 9/2006 McDonald A61M 16/06
128/206.21
2012/0172740 A1 * 7/2012 Hu A61M 16/06
600/532
2015/0335844 A1 * 11/2015 Matsubara A61M 16/06
128/203.29

(**) Term: **15 Years**

(Continued)

(21) Appl. No.: **29/658,750**

FOREIGN PATENT DOCUMENTS

(22) Filed: **Aug. 2, 2018**

CA 182660 * 4/2019
CA 182685 * 8/2019
CN 304474961 S 1/2018

(30) **Foreign Application Priority Data**

(Continued)

Feb. 2, 2018 (JP) 2018-002048

Primary Examiner — Lilyana Bekic

(51) **LOC (12) Cl.** **29-02**

(74) *Attorney, Agent, or Firm* — Brinks Gilson & Lione

(52) **U.S. Cl.**

USPC **D24/110.4**

(58) **Field of Classification Search**

USPC D24/110.1–110.4, 127, 162, 164, 110;
D29/102, 107, 108, 110, 129

CPC A61M 16/06; A61M 2202/0208; A61M
16/08; A61M 16/00; A61M 2016/0661;
A62B 18/02

See application file for complete search history.

(57) **CLAIM**

We claim the ornamental design for a medical respirator mask, as shown and described.

(56) **References Cited**

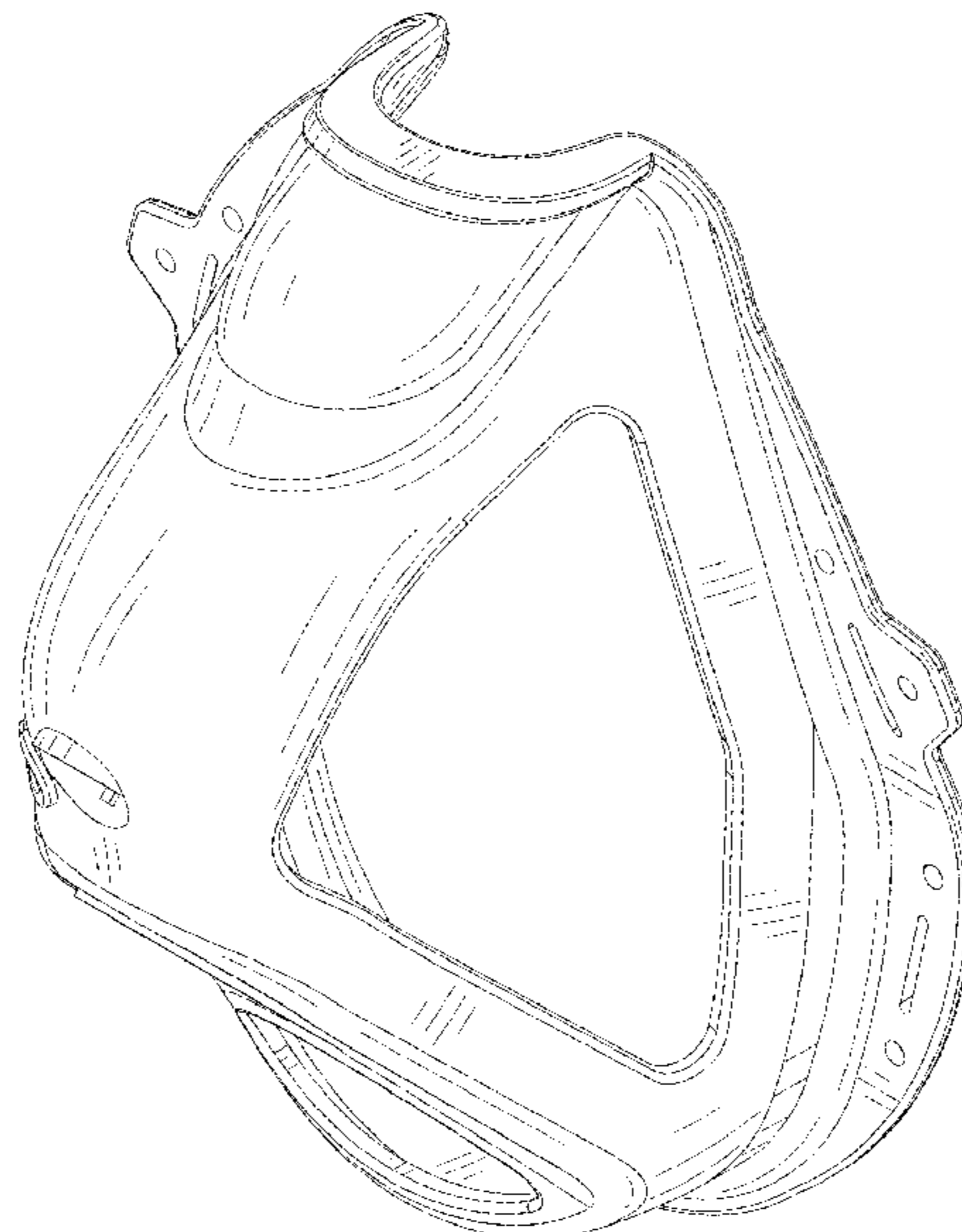
DESCRIPTION

U.S. PATENT DOCUMENTS

6,968,844 B2 * 11/2005 Liland A61M 16/0605
128/206.16
D560,796 S * 1/2008 Jones D24/110.1
8,042,540 B2 * 10/2011 McDonald A61M 16/06
128/205.25
D753,287 S * 4/2016 Darab D24/110.4
D753,816 S * 4/2016 Beard D24/110.4

FIG. 1 is a front perspective view of a medical respirator mask of the present invention;
FIG. 2 is a front view thereof;
FIG. 3 is a rear view thereof;
FIG. 4 is a left side view thereof;
FIG. 5 is a right side view thereof;
FIG. 6 is a top view thereof;
FIG. 7 is a bottom view thereof; and,
FIG. 8 is a cross-sectional view taken in the direction of line 8-8 in FIG. 2.

1 Claim, 8 Drawing Sheets



(56)

References Cited

U.S. PATENT DOCUMENTS

2015/0335847 A1* 11/2015 Matsubara A61M 16/06
128/205.25
2019/0255274 A1* 8/2019 McDonald A61M 16/06

FOREIGN PATENT DOCUMENTS

CN 305033379 * 2/2019
CN 305033380 * 2/2019
EM 3504711 1/2017
JP 1511758 S 11/2014
JP 1511942 S 11/2014
JP 1511943 S 11/2014
JP 1513344 S 12/2014
JP 1513489 S 12/2014
JP 1513979 S 12/2014
JP 1519346 S 3/2015
JP 1519618 S 3/2015
JP 1519619 S 3/2015
JP 1519620 S 3/2015
JP 2016-220982 A 12/2016
JP D1580148 S 6/2017
JP D1616551 * 10/2019

* cited by examiner

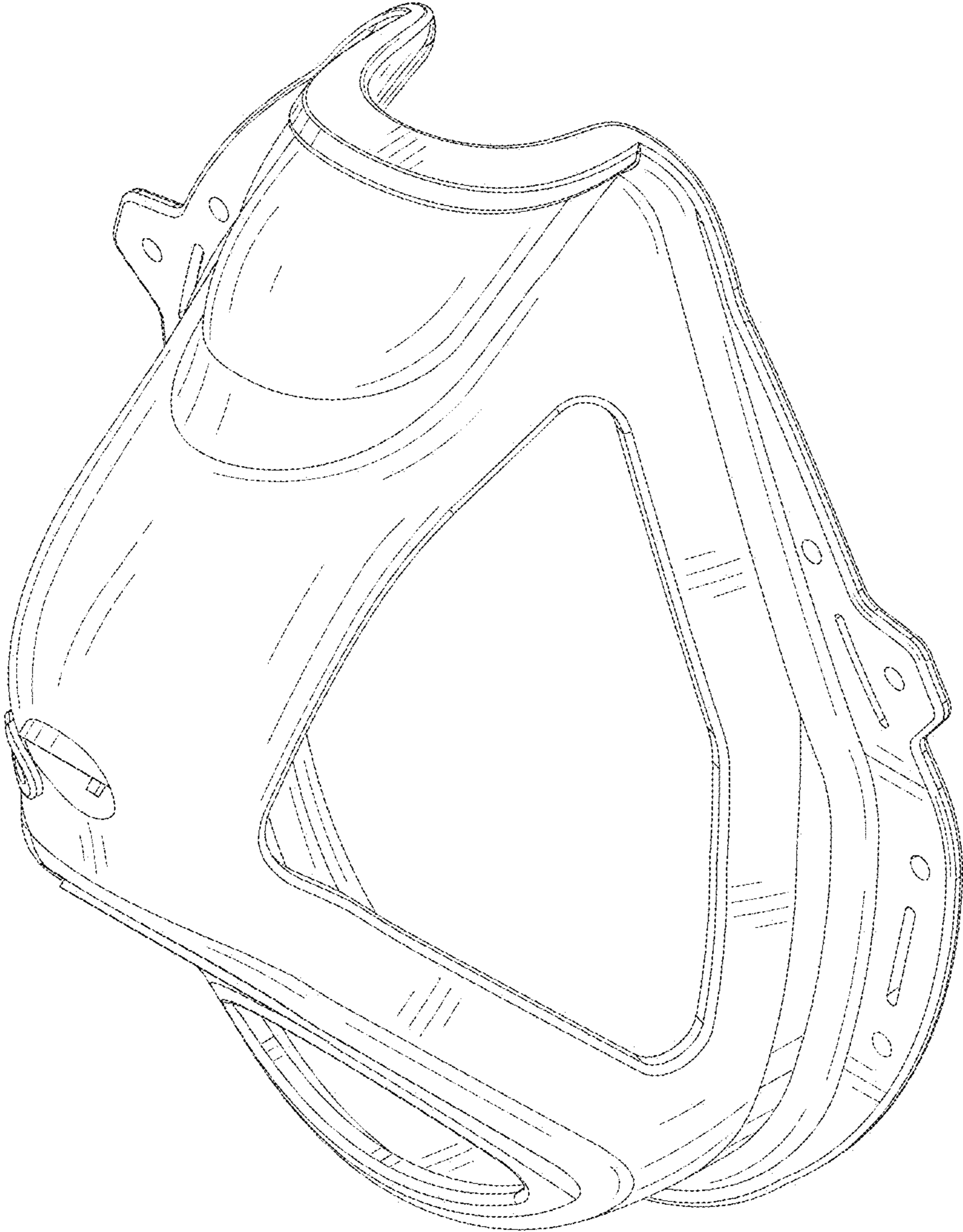


FIG. 1

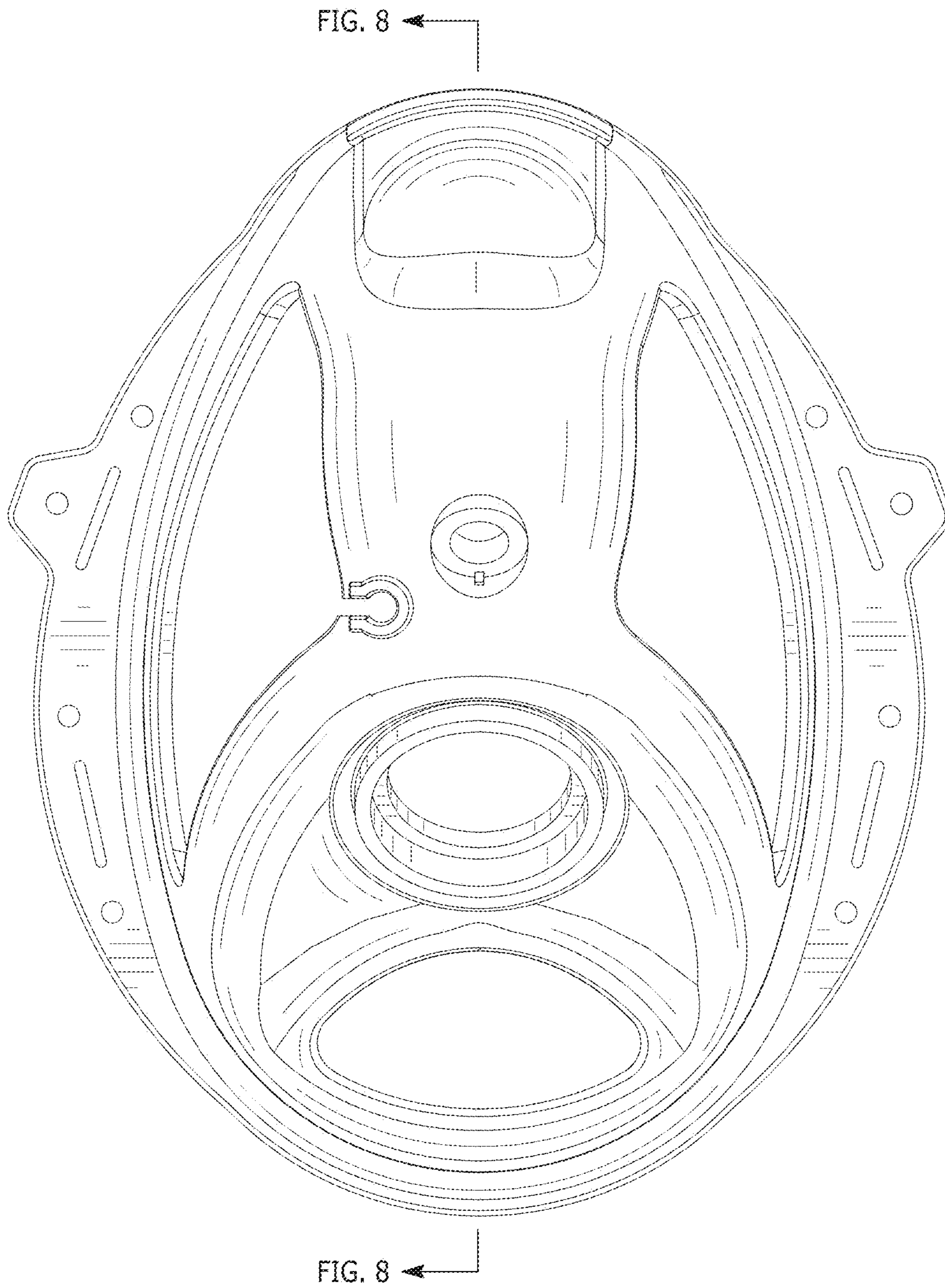


FIG. 2

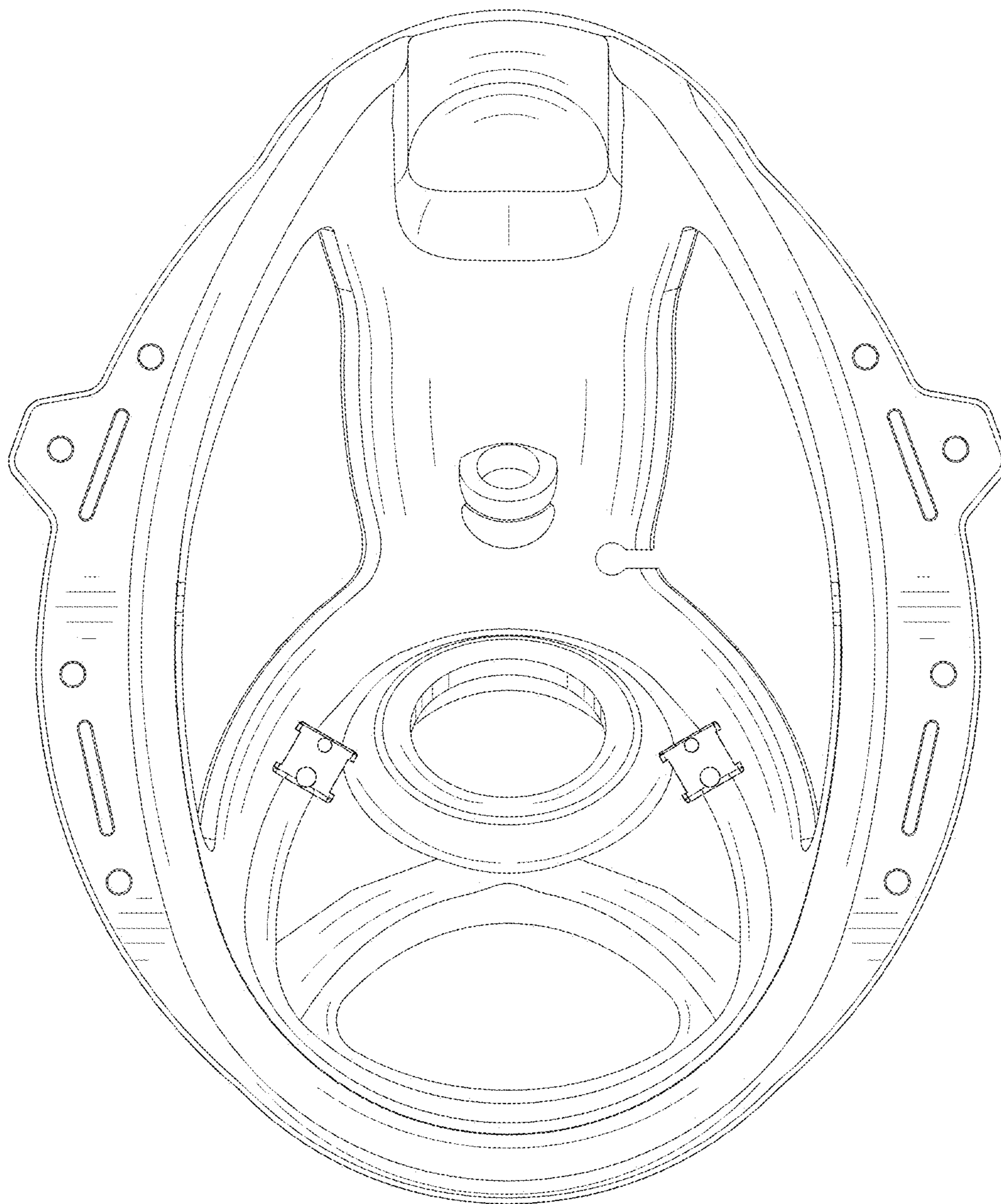


FIG. 3

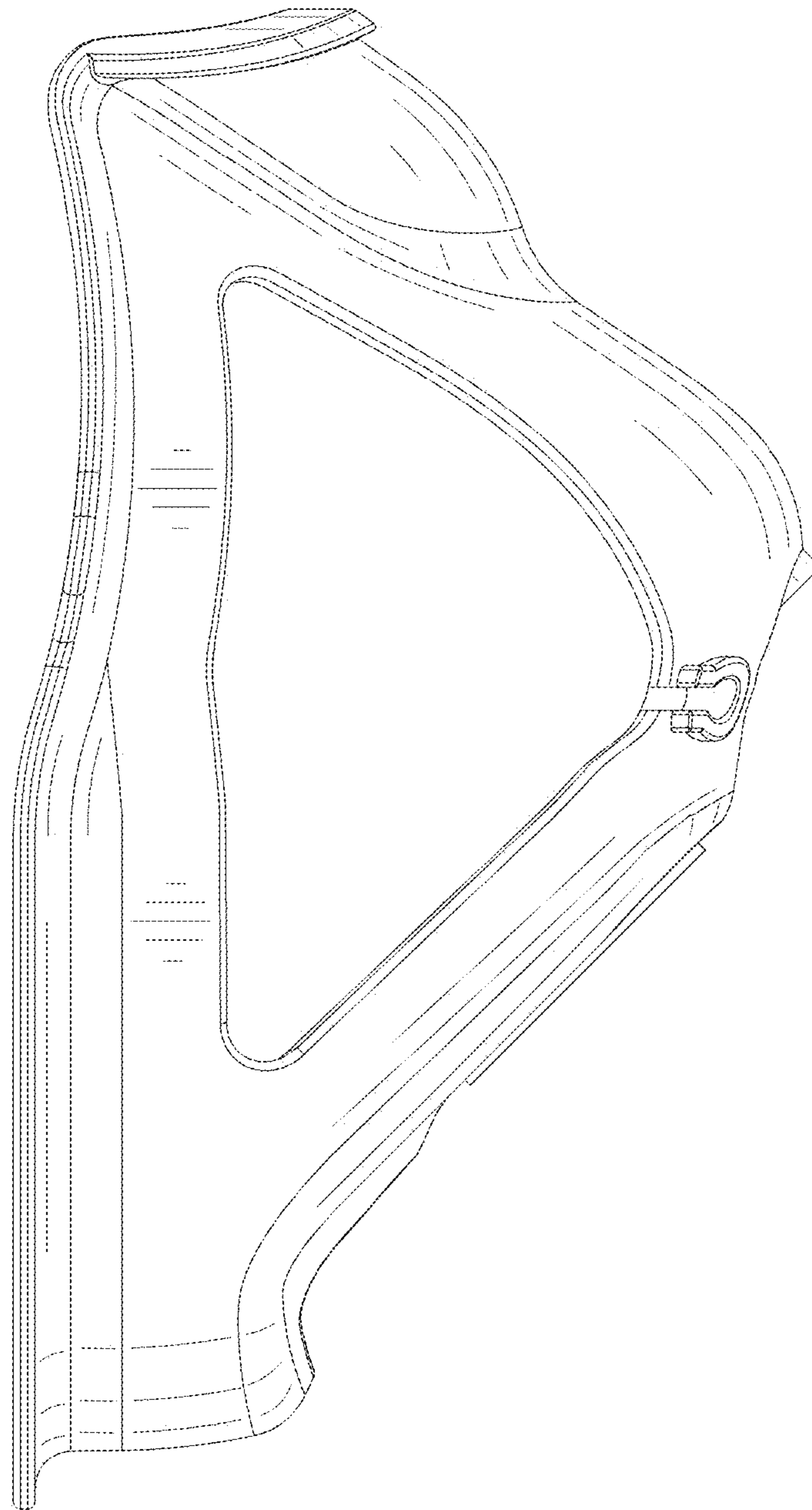


FIG. 4

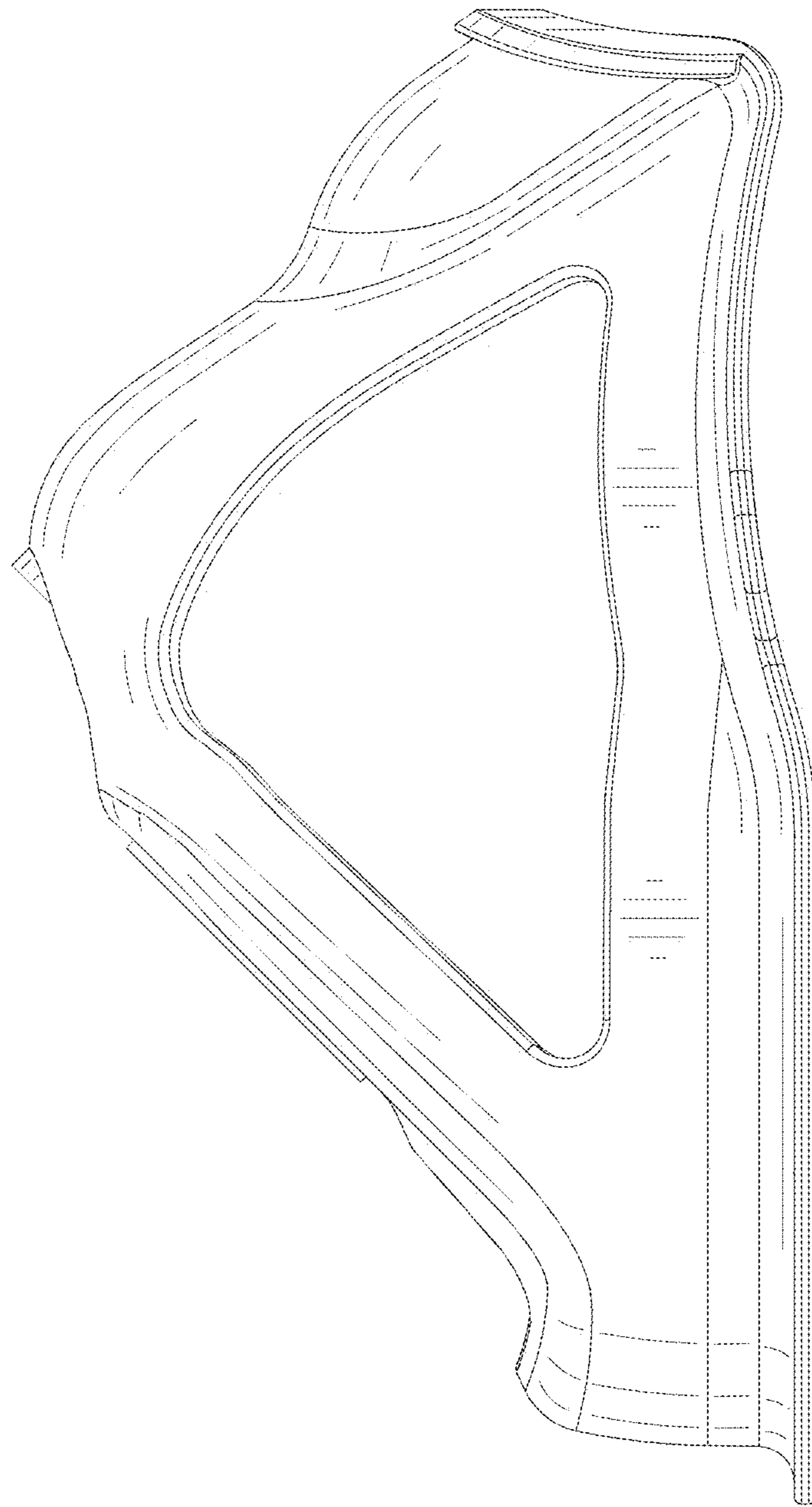


FIG. 5

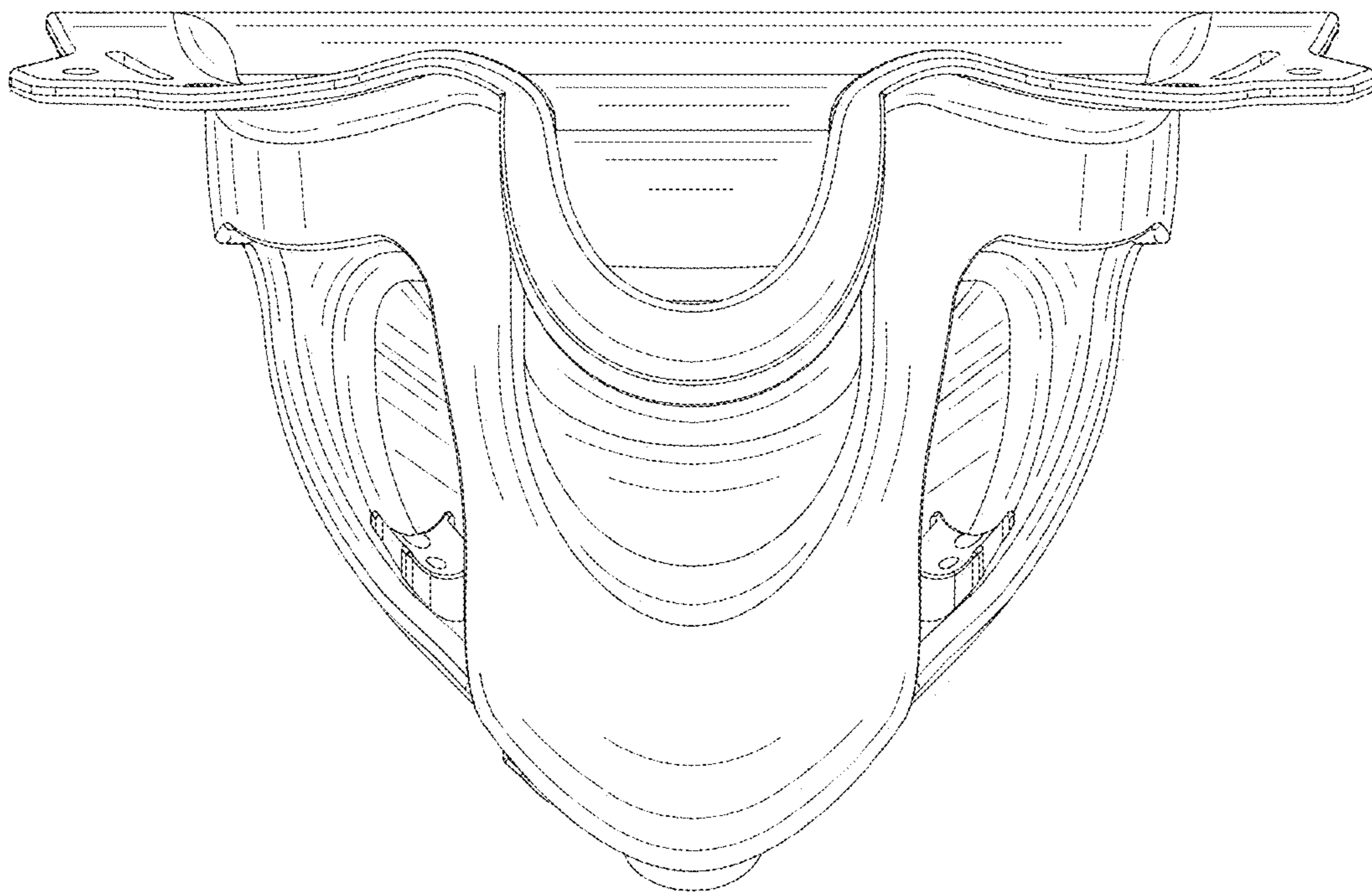


FIG. 6

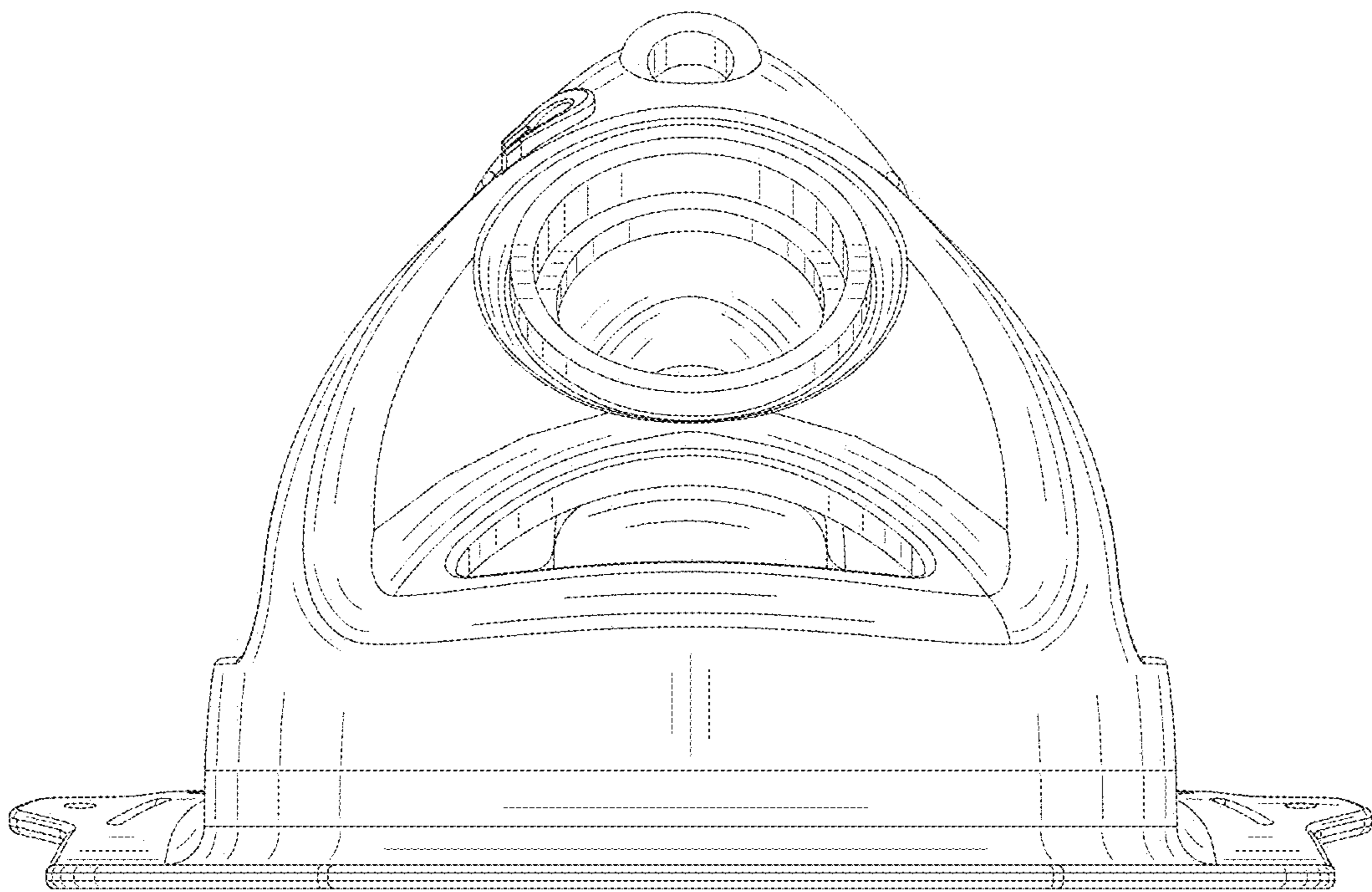


FIG. 7

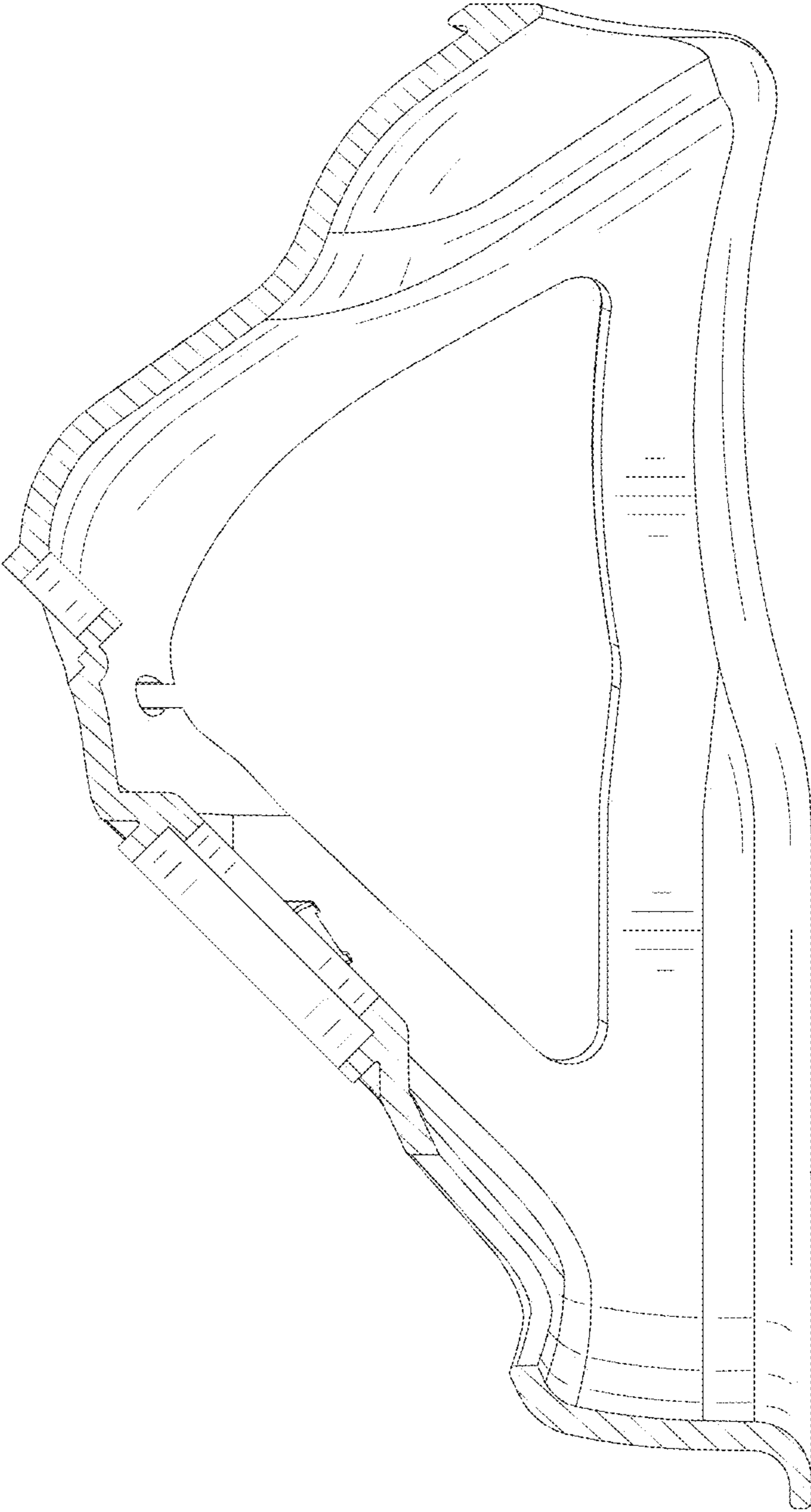


FIG. 8