



US00D904598S

(12) **United States Design Patent** (10) **Patent No.:** **US D904,598 S**  
**Prevot** (45) **Date of Patent:** **\*\* Dec. 8, 2020**

(54) **RED AIR PATH FOR A POWERED AIR PURIFYING RESPIRATOR BLOWER**

(56) **References Cited**

U.S. PATENT DOCUMENTS

(71) Applicant: **Honeywell International Inc.**, Morris Plains, NJ (US)

D449,099 S 10/2001 Juhlin et al.

(72) Inventor: **Tanguy Prevot**, Brno-Venkov (CZ)

D646,379 S 10/2011 Huh

(73) Assignee: **Honeywell International Inc.**, Morris Plains, NJ (US)

D710,493 S 8/2014 Wu

D710,494 S 8/2014 Wu

D727,511 S 4/2015 Dehmke et al.

D756,519 S 5/2016 Adams

D774,180 S 12/2016 Wu

D809,129 S 1/2018 Yang

D809,130 S 1/2018 Yang

D810,274 S 2/2018 Yang

(\*\*) Term: **15 Years**

(Continued)

(21) Appl. No.: **29/734,220**

OTHER PUBLICATIONS

(22) Filed: **May 11, 2020**

China Design Patent Application No. 201830157029.X, Notification to Grant Patent Right, dated Aug. 7, 2018, 4 pages.

(Continued)

**Related U.S. Application Data**

(63) Continuation of application No. 29/644,358, filed on Apr. 17, 2018, now Pat. No. Des. 884,149.

*Primary Examiner* — Lilyana Bekic

(74) *Attorney, Agent, or Firm* — Alston & Bird LLP

(30) **Foreign Application Priority Data**

(57) **CLAIM**

The ornamental design for a red air path for a powered air purifying respirator blower, as shown and described.

Oct. 17, 2017 (EM) ..... 004409522

**DESCRIPTION**

(51) **LOC (12) Cl.** ..... **29-02**

FIG. 1 is a top perspective view of a red air path for a powered air purifying respirator blower in accordance with the new design;

(52) **U.S. Cl.**

USPC ..... **D24/110**; D24/129

FIG. 2 is a left side view thereof;

(58) **Field of Classification Search**

USPC ..... D24/110.1–110.4, 127, 162, 164, 110, D24/129; D29/102, 107, 108, 110, 129; D23/365

FIG. 3 is a right side view thereof;

CPC ..... A62B 18/006; A62B 7/10; A62B 18/045; A62B 18/08; A62B 18/04; A62B 18/02; A62B 18/00; A62B 18/025; A62B 23/025; A62B 23/02; A62B 17/04; A62B 18/082; A42B 3/288; A42B 3/225; A42B 3/286; A61M 16/06; A61M 16/0622

FIG. 4 is a front view thereof;

FIG. 5 is a rear view thereof;

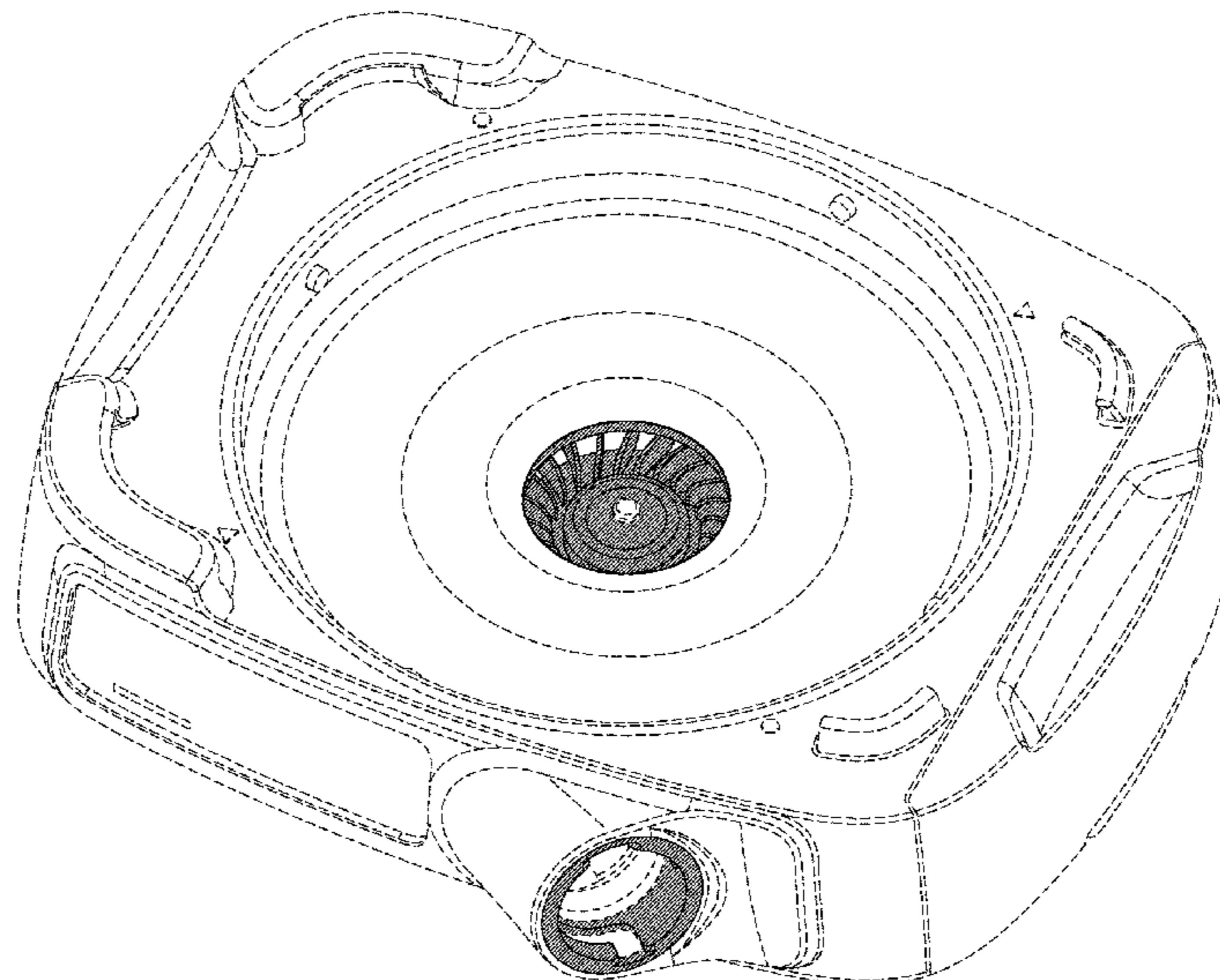
FIG. 6 is a top view thereof; and,

FIG. 7 is a bottom view thereof.

The broken lines immediately adjacent the red portions define the bounds of the claimed design and form no part thereof. All other broken lines depict portions that form no part of the claimed design.

See application file for complete search history.

**1 Claim, 5 Drawing Sheets**



(56)

**References Cited**

## U.S. PATENT DOCUMENTS

D859,637	S	9/2019	Thompson et al.	
D883,471	S *	5/2020	Prevot .....	D24/110
D884,149	S *	5/2020	Prevot .....	D24/110
2002/0073994	A1 *	6/2002	Patel .....	A62B 18/04 128/201.17
2009/0314295	A1	12/2009	Hatmaker	
2012/0051904	A1	3/2012	Hagen et al.	
2013/0014752	A1	1/2013	Ausen	
2015/0114389	A1	4/2015	Sernfalt et al.	
2016/0001102	A1	1/2016	Huh	
2018/0028846	A1	2/2018	Hur et al.	
2018/0337373	A1	11/2018	Wu	
2019/0143154	A1	5/2019	Gangadhar et al.	
2020/0140983	A1 *	5/2020	Gatto .....	C21D 1/00

## OTHER PUBLICATIONS

Honeywell North Primair 700 Series. Brochure. Date: 2017. Retrieved from Internet: <file:///C:/Users/Ibekic/Downloads/HSPRSP%20244\_Brochure\_PA7-00\_FINAL.pdf> (Year: 2017).

Notice of Allowance for U.S. Appl. No. 29/644,358 dated Jan. 2, 2020, 11 pages.

Registered European Community Design Application No. RCD004409522, filed Oct. 17, 2017, 6 pages.

U.S. Appl. No. 29/644,358, filed Apr. 17, 2018, U.S. Pat. No. D. 844,149.

\* cited by examiner

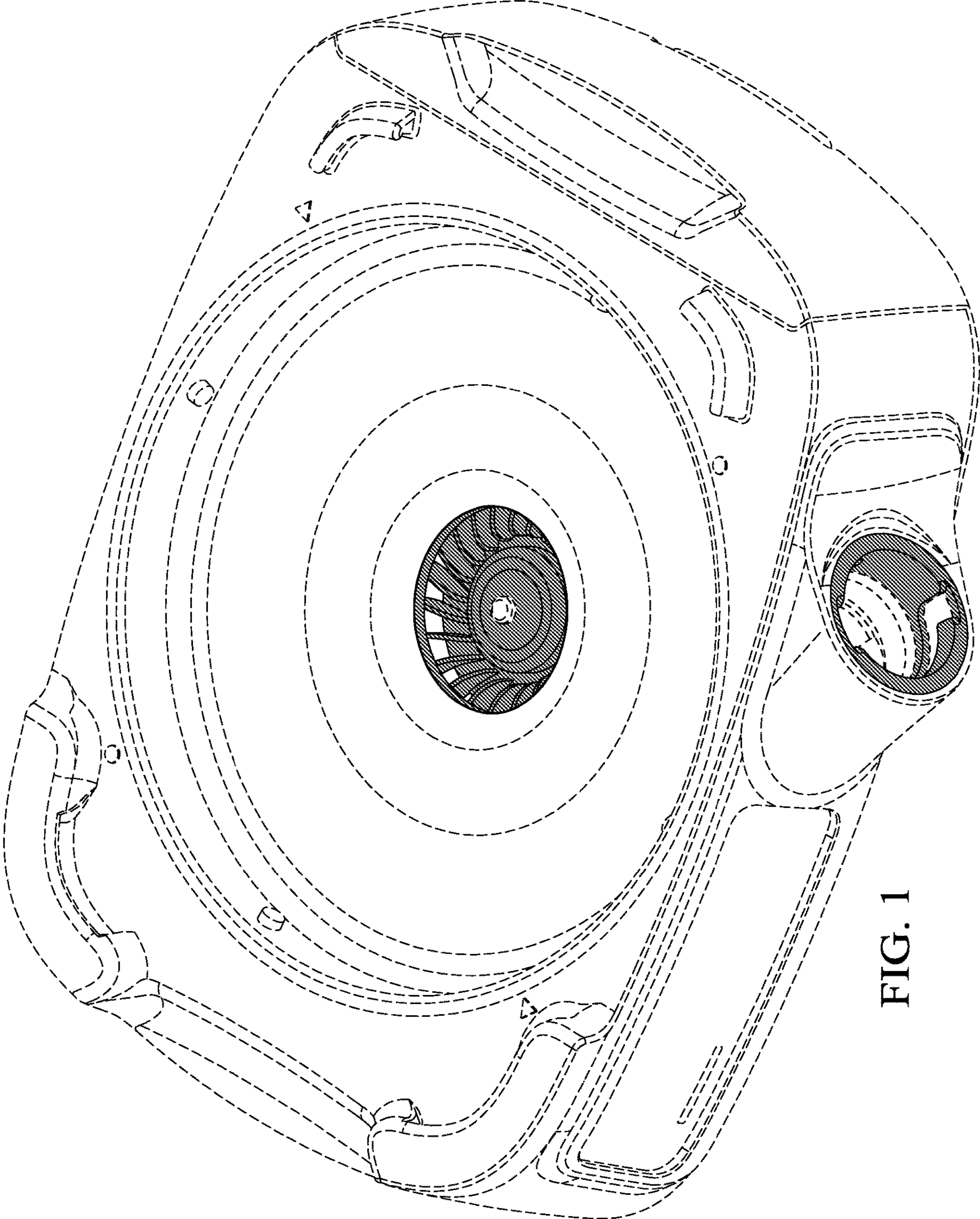


FIG. 1

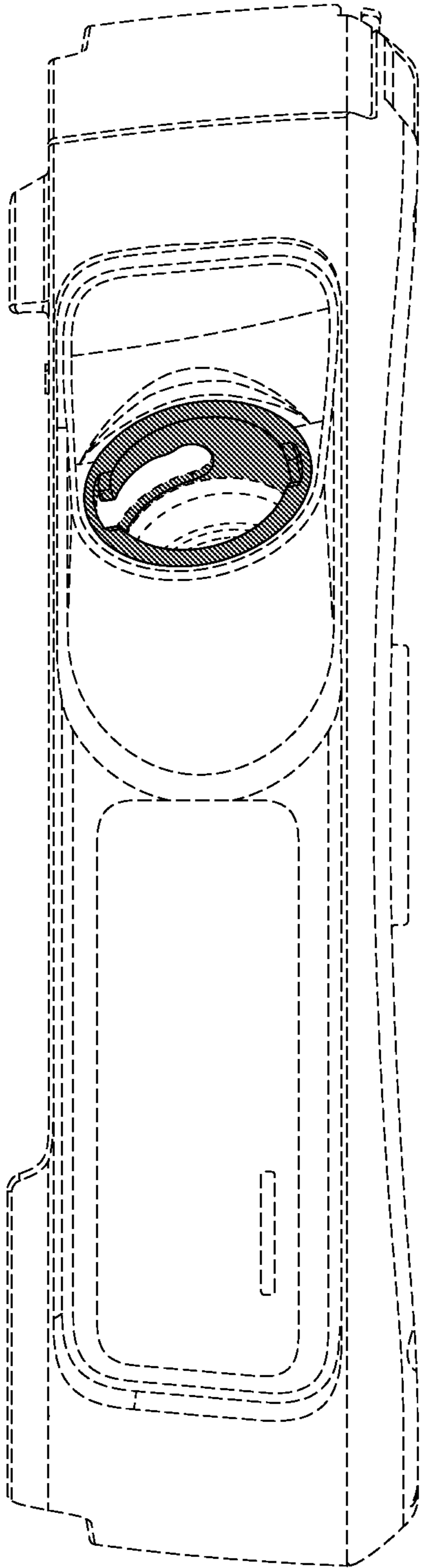


FIG. 2

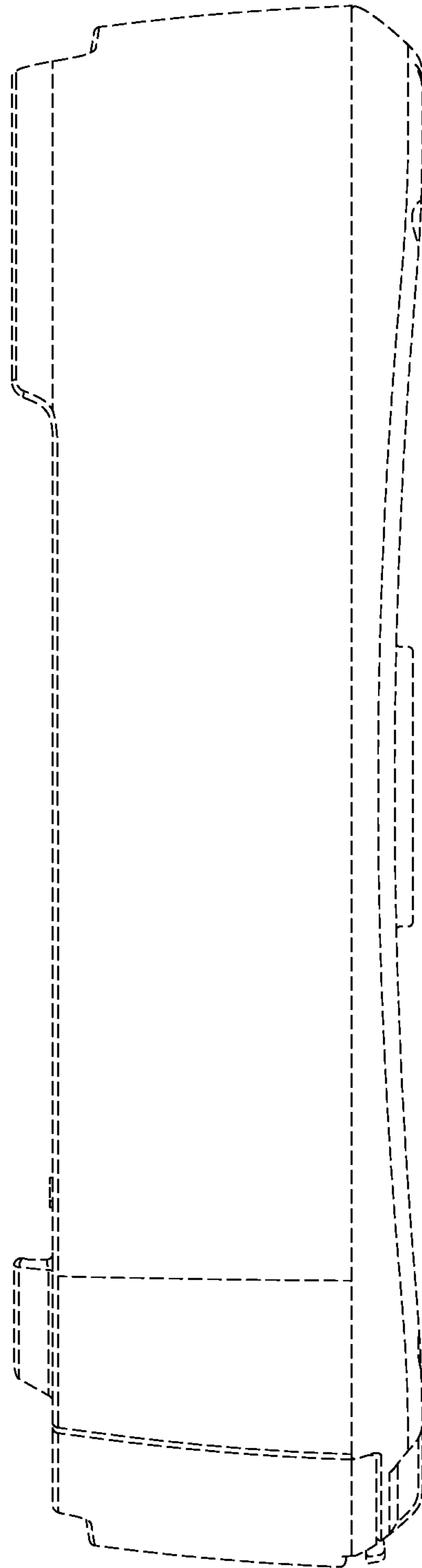


FIG. 3

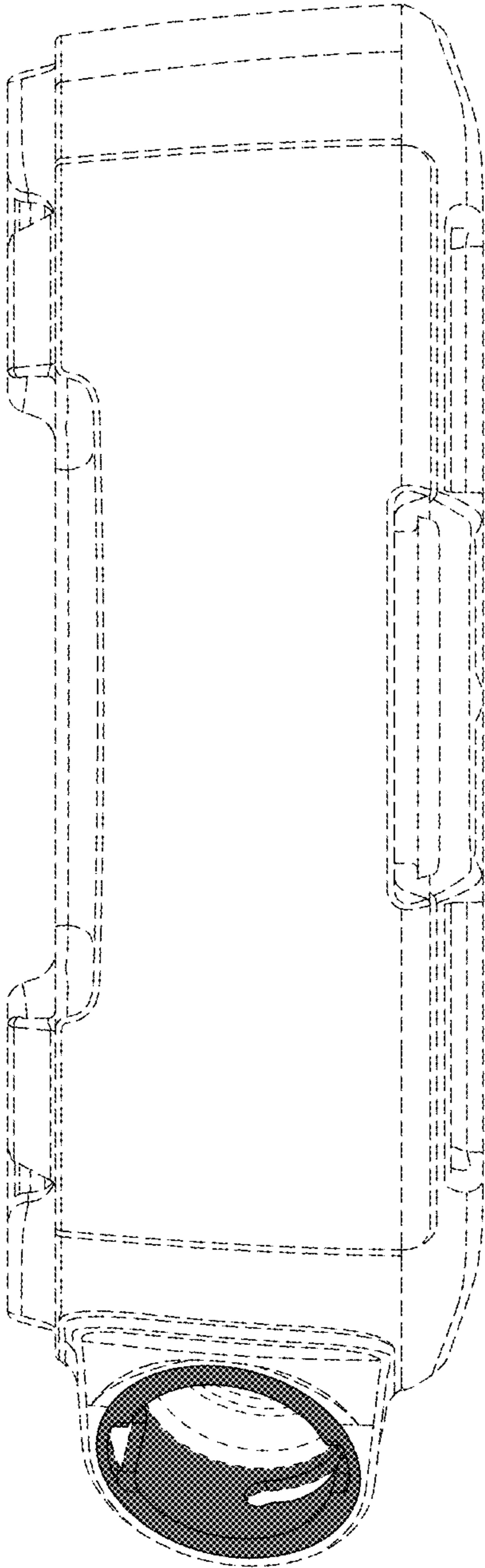


FIG. 4

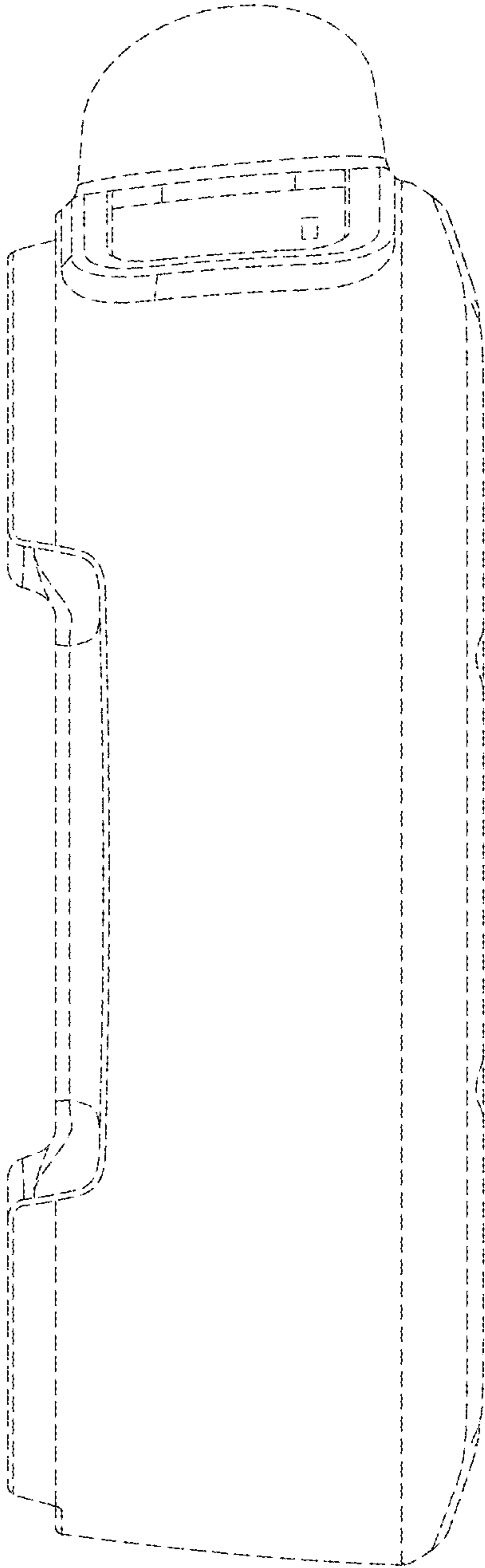


FIG. 5

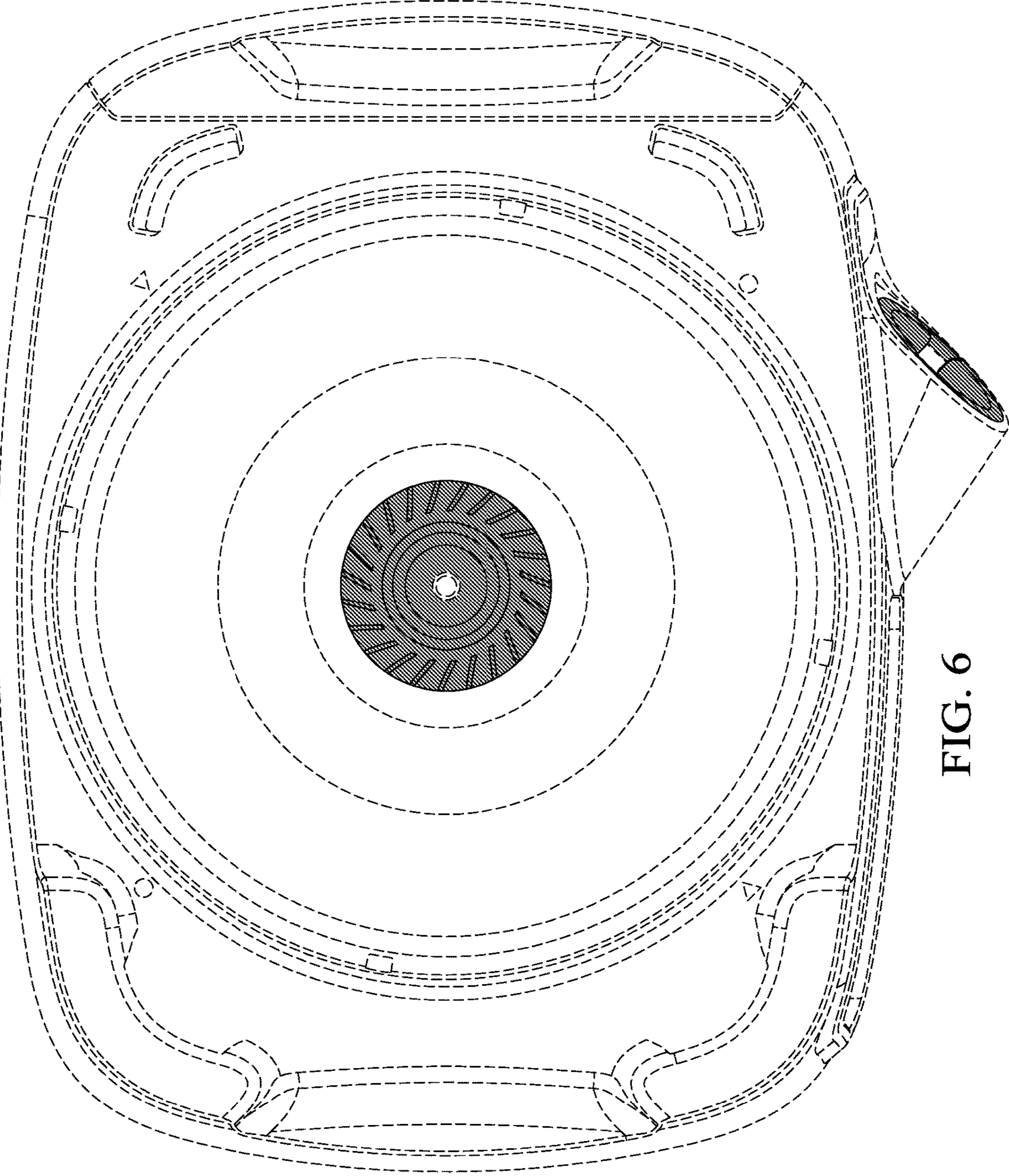


FIG. 6

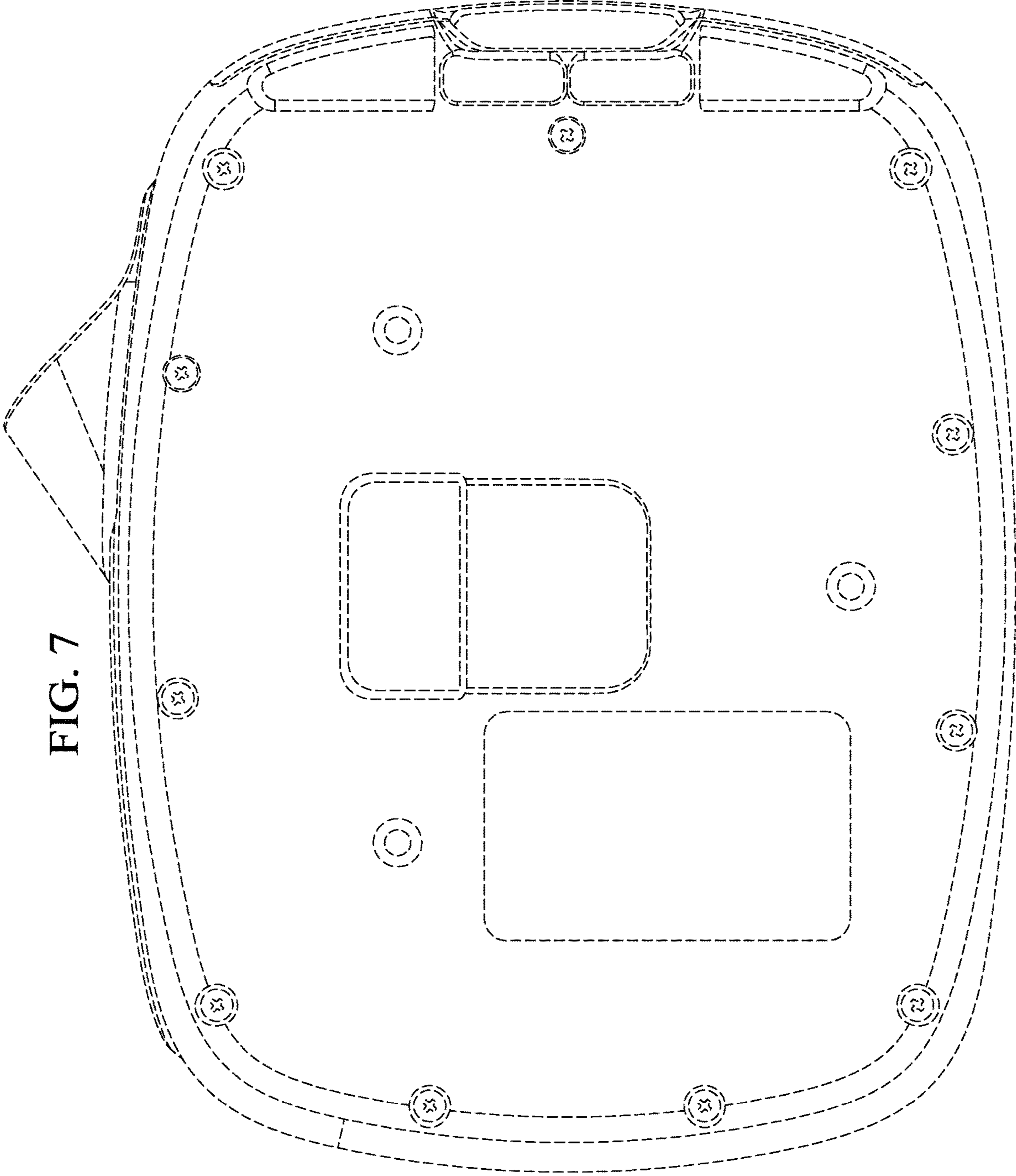


FIG. 7