



US00D904597S

(12) **United States Design Patent**
O’Connell et al.

(10) **Patent No.:** **US D904,597 S**
(45) **Date of Patent:** **** Dec. 8, 2020**

(54) **CEILING FAN MOTOR HOUSING AND LIGHT KIT COMBINATION**

(71) Applicant: **HUNTER FAN COMPANY,**
Memphis, TN (US)

(72) Inventors: **Patrick R. O’Connell,** Germantown,
TN (US); **Christine Holmes,** Memphis,
TN (US)

(73) Assignee: **Hunter Fan Company,** Memphis, TN
(US)

(**) Term: **15 Years**

(21) Appl. No.: **29/713,784**

(22) Filed: **Nov. 19, 2019**

Related U.S. Application Data

(62) Division of application No. 29/642,362, filed on Mar.
29, 2018, now Pat. No. Des. 888,221.

(51) **LOC (12) Cl.** **23-03**

(52) **U.S. Cl.**
USPC **D23/411; D26/59**

(58) **Field of Classification Search**
USPC D23/370–385, 411–414; D26/59, 85, 86,
D26/89, 90
CPC F04D 25/088; F04D 29/38; F04D 29/384;
F04D 29/386; F21V 33/0096
See application file for complete search history.

(56) **References Cited**

U.S. PATENT DOCUMENTS

D414,857 S	10/1999	Zuege	
D420,120 S	2/2000	Evans	
D467,676 S *	12/2002	Packer D26/72
D488,554 S	4/2004	Bacon et al.	
D547,436 S	7/2007	Shurtleff	
D549,813 S	8/2007	Gajewski	
D557,787 S	12/2007	Gajewski	

D567,988 S	4/2008	Lissoni
D592,792 S	5/2009	Keller
D599,459 S	9/2009	Hidalgo
D632,381 S	2/2011	Davenport et al.
D632,384 S	2/2011	Pan
D632,412 S	2/2011	Pan
D633,455 S	3/2011	Chiu

(Continued)

OTHER PUBLICATIONS

<http://www.homedepot.com/p/Hampton-Bay-Marlton-52-in-Indoor-Liquid-Nickel-Ceiling-Fan-YG305-LN/202529593>, Hampton Bay, Marlton 52 in. Indoor Liquid Nickel Ceiling Fan, Model No. YG0305-LN, accessed Sep. 21, 2017.

(Continued)

Primary Examiner — Cathron C Brooks

Assistant Examiner — Sharon S Oum

(74) *Attorney, Agent, or Firm* — McGarry Bair PC

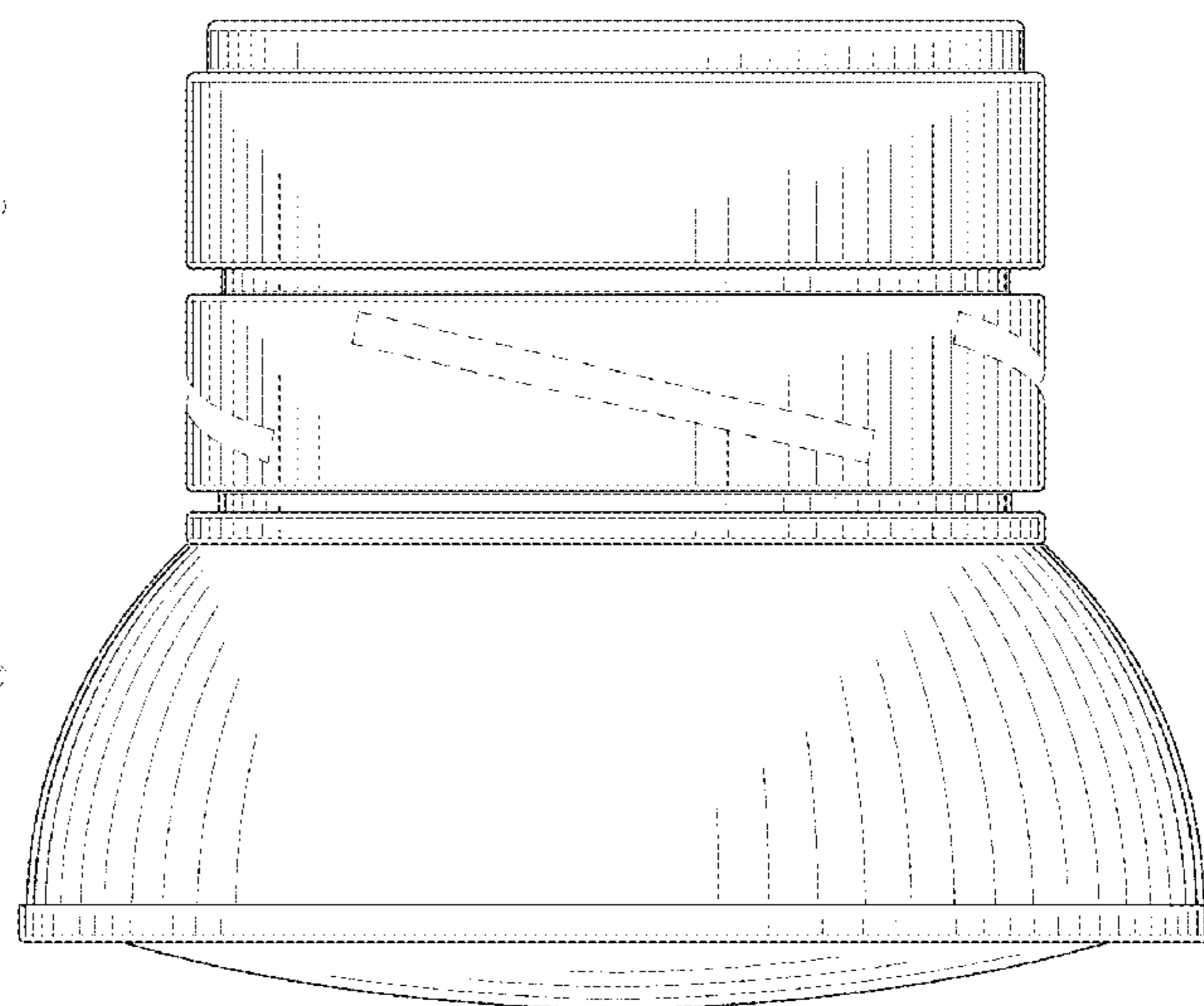
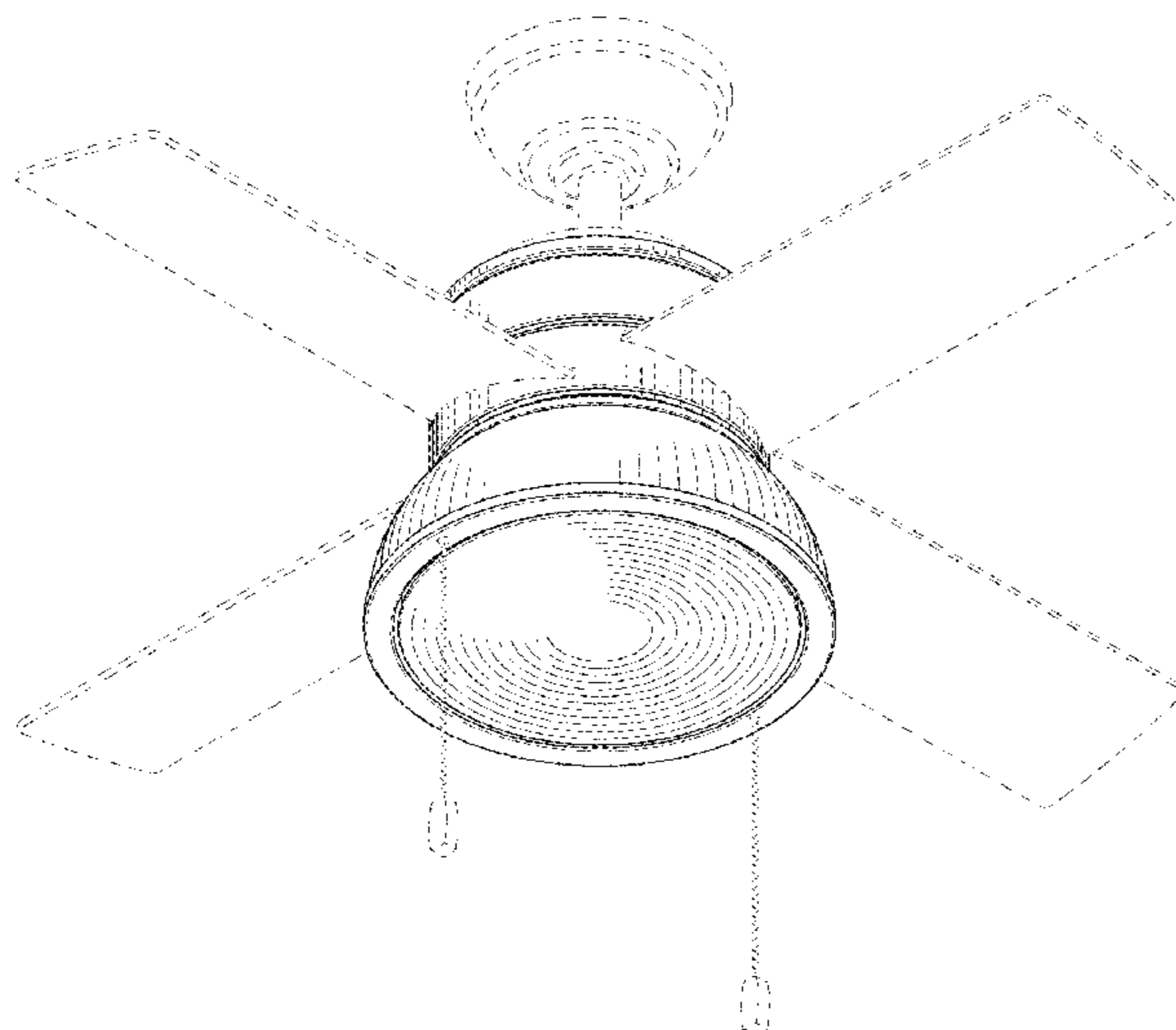
(57) **CLAIM**

The ornamental design for a ceiling fan motor housing and light kit combination, as shown and described.

DESCRIPTION

FIG. 1 is a top perspective view of a ceiling fan motor housing and light kit combination shown in the environment of a ceiling fan, showing our new design; FIG. 2 is a bottom perspective view thereof; FIG. 3 is a top plan view of the motor housing and light kit combination, having the ceiling fan environment removed; FIG. 4 is a bottom plan view thereof; FIG. 5 is a front side view thereof; and, FIG. 6 is a right side view thereof. Portions of the ceiling fan environment and the ceiling fan motor housing and light kit combination are shown in broken lines. Portions shown in broken lines form no part of the claimed design.

1 Claim, 6 Drawing Sheets



(56)

References Cited

U.S. PATENT DOCUMENTS

D633,611 S	3/2011	Pan	
D704,821 S	5/2014	Wang	
D751,187 S	3/2016	Dolan	
D760,368 S	6/2016	Chen	
D783,145 S	4/2017	Wang	
D798,431 S	9/2017	McRoberts	
D800,289 S	10/2017	Guthrie	
D804,633 S	12/2017	Holmes	
D807,488 S	1/2018	McRoberts	
D810,919 S	2/2018	Haggar	
D826,395 S	8/2018	McRoberts et al.	
D827,123 S	8/2018	Guthrie	
D831,268 S	10/2018	Johnson	
D838,357 S	1/2019	Haggar	
D850,606 S	6/2019	Wang	
D854,677 S	7/2019	Haggar	
D877,316 S *	3/2020	Wang	D23/411
2005/0214145 A1	9/2005	Grinbergs	

OTHER PUBLICATIONS

<https://www.menards.com/main/lighting-ceiling-fans/ceiling-fans/indoor-ceiling-fans/turn-of-the-century-reg-alban-52-brushed-nickel->

led-ceiling-fan/p-147385433248-c-7488.htm?tid=8991733599029403053&ipos=12, Turn of the Century, Alban 52" Brushed Nickel LED Ceiling Fan, Model No. 20351, accessed Sep. 21, 2017.
<http://www.minkagroup.net/products/f534l-wh>, Minka Group, Lun-Aire 54" 5-Blade LED Ceiling Fan in White Finish with White Blades w/Etched Opal Glass, Model No. F534L-WH, accessed Sep. 21, 2017.
<http://www.montecarlofans.com/53867/57-Destin---Brushed-Steel-3DSTR57BSD.html>, Monte Carlo Destin Collection, 57" Destin, Brushed Steel, Product No. 3DSTR57BSD, accessed Sep. 21, 2017.
<http://www.homedepot.com/p/Hampton-Bay-Merope-52-in-Satin-Nickel-Indoor-Ceiling-Fan-HE-12027/203838990>, Hampton Bay, Merope 52 in. Satin Nickel Indoor Ceiling Fan, Model No. HE-12027, accessed Sep. 21, 2017.
<http://www.hunterfan.com/Ceiling-Fans/Clanton?ModelNumber=59202>, Minka Group, Shade 45" 4-Blade LED Ceiling Fan in Grey Iron Finish with Matte Black Blades w/Clear Fresnel Glass, Model No. F683L-GI, accessed Sep. 21, 2017.
<http://www.minkagroup.net/products/f6831-gi>, Fanimation Xeno Ceiling Fan, Model No. FP6728, accessed Sep. 21, 2017.
<http://www.fanimation.com/products/index.php/fans/xeno.html>, Hunter Fan, Clanton 52" Ceiling Fan in Brushed Steel Finish, Model No. 59202, accessed Sep. 21, 2017.

* cited by examiner

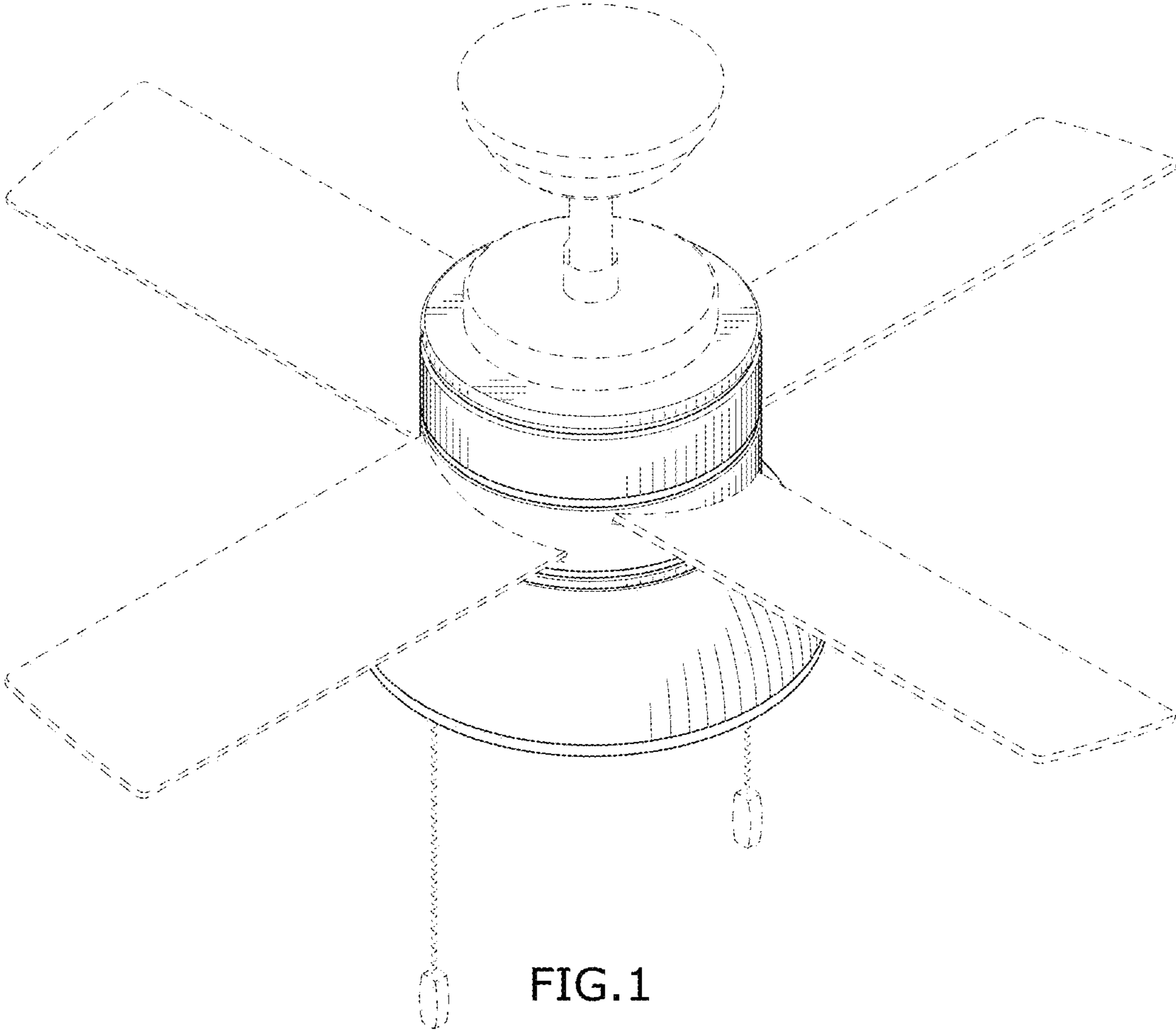
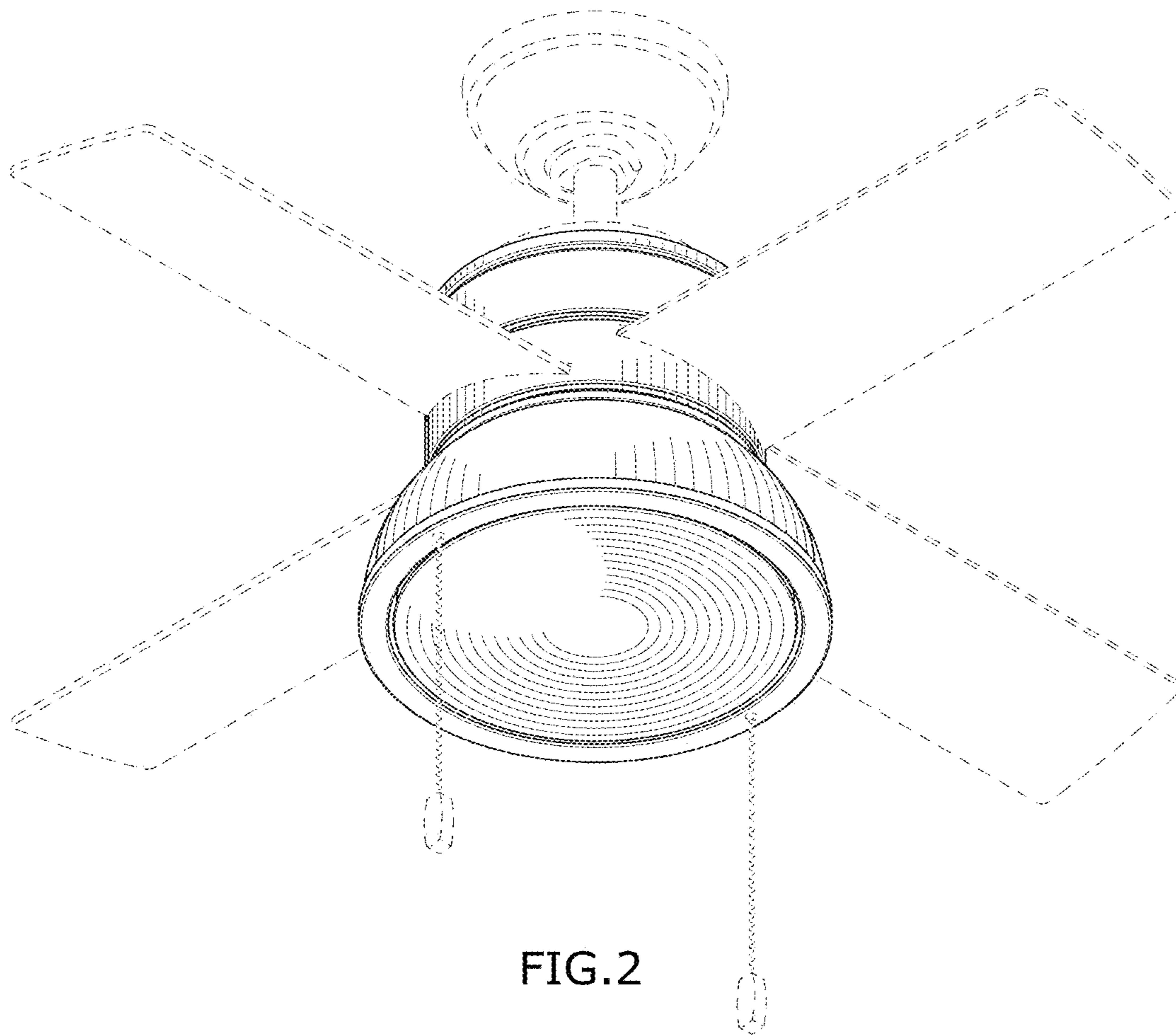


FIG. 1



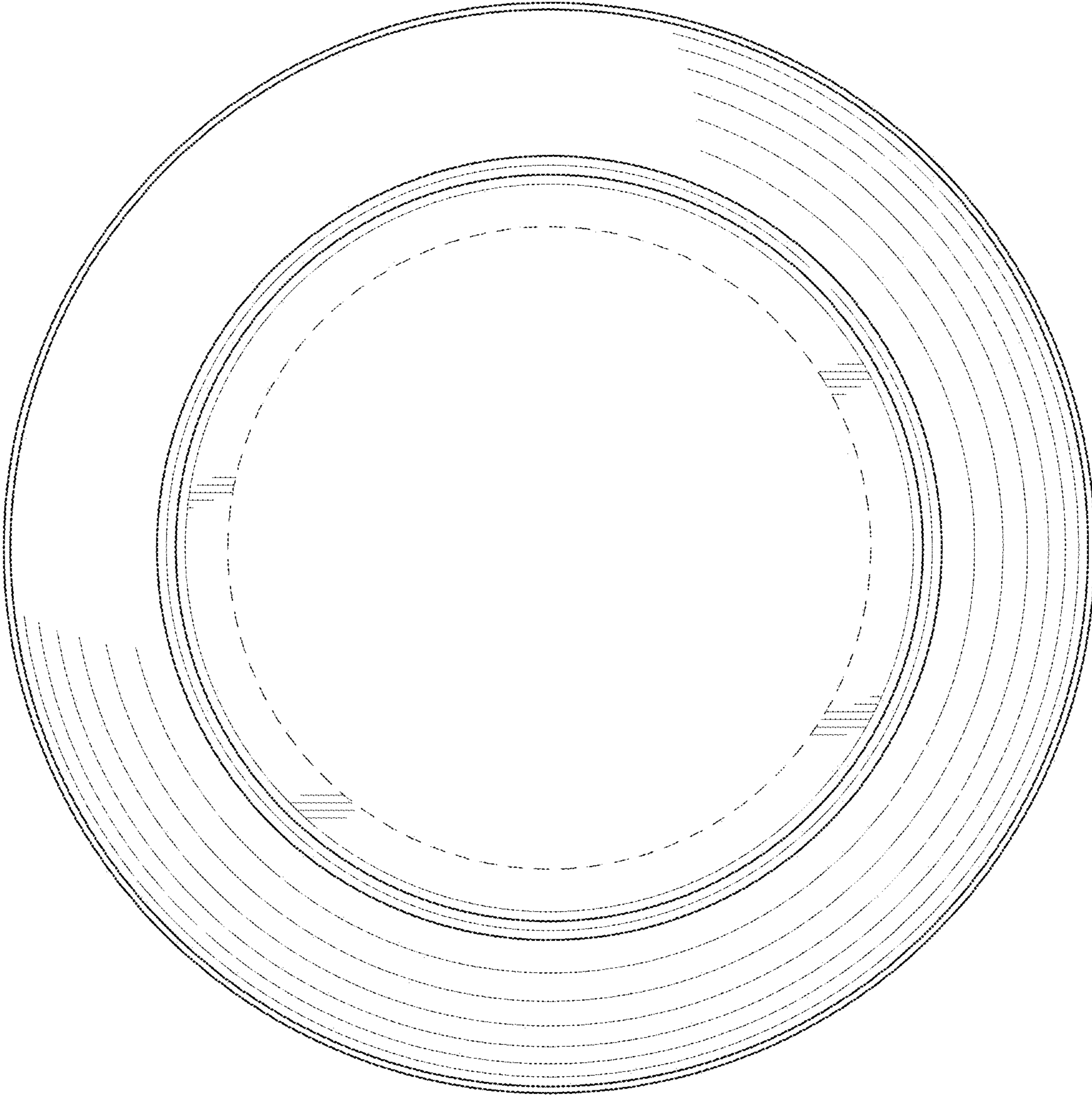


FIG. 3

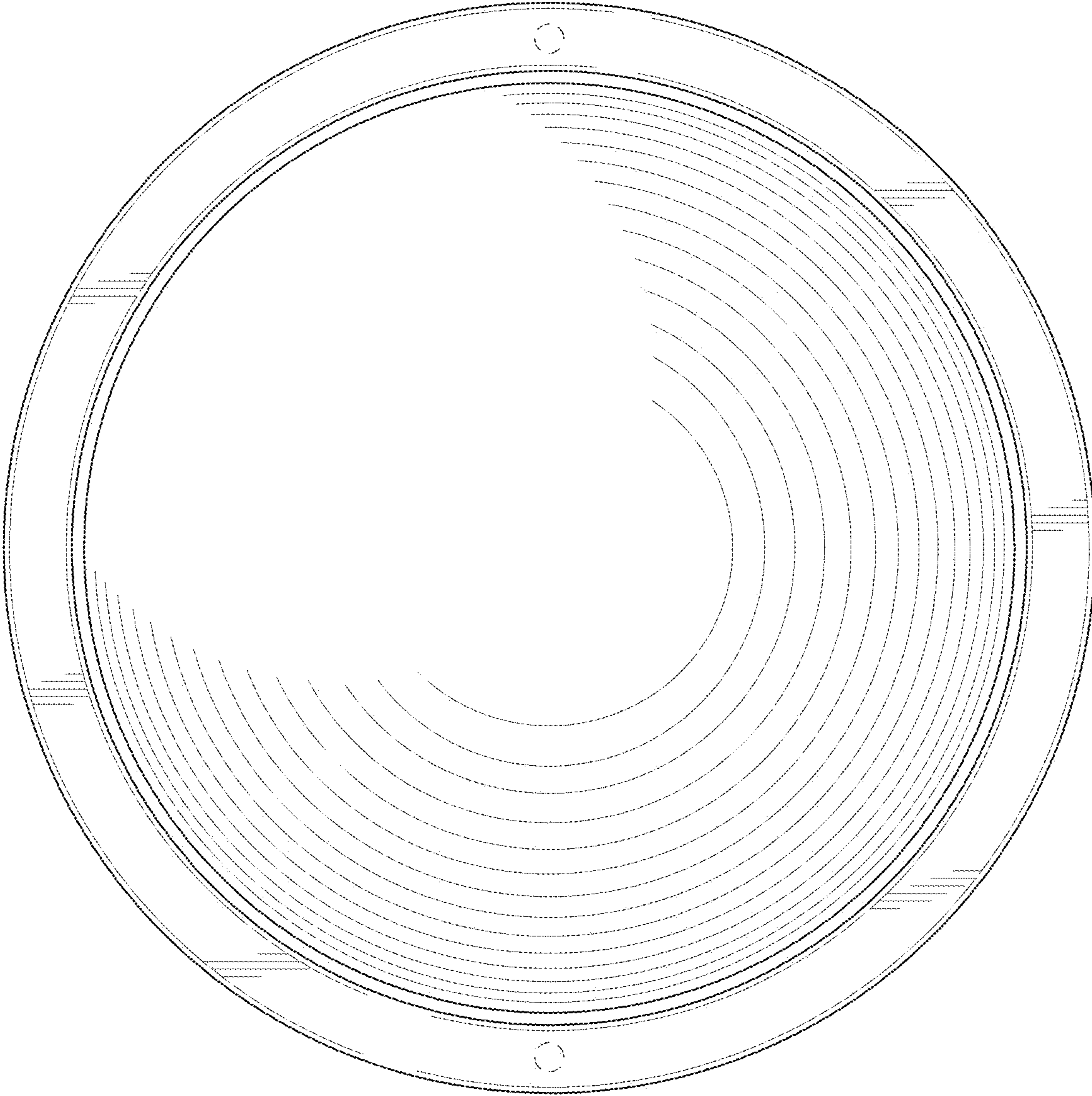


FIG. 4

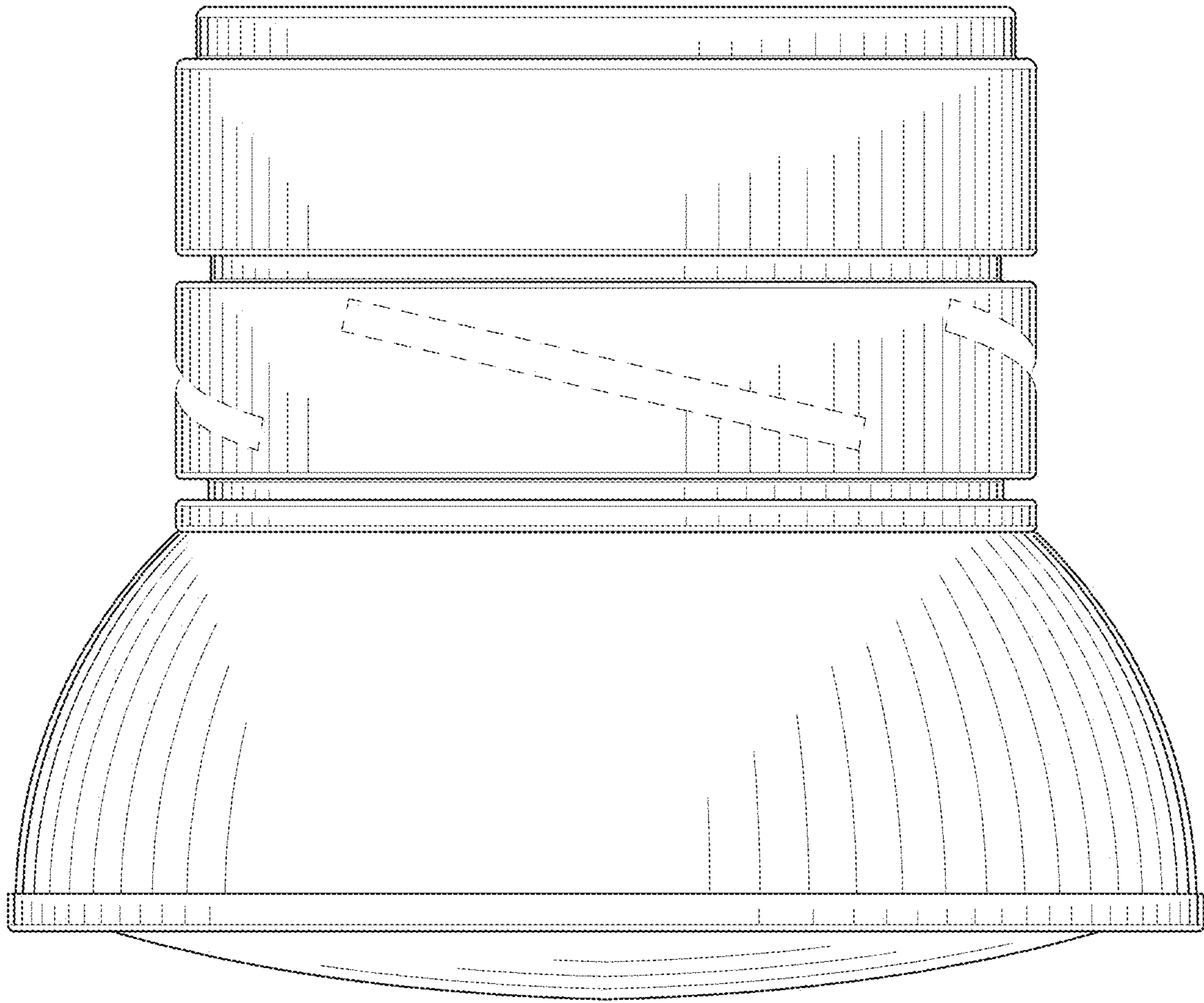


FIG. 5

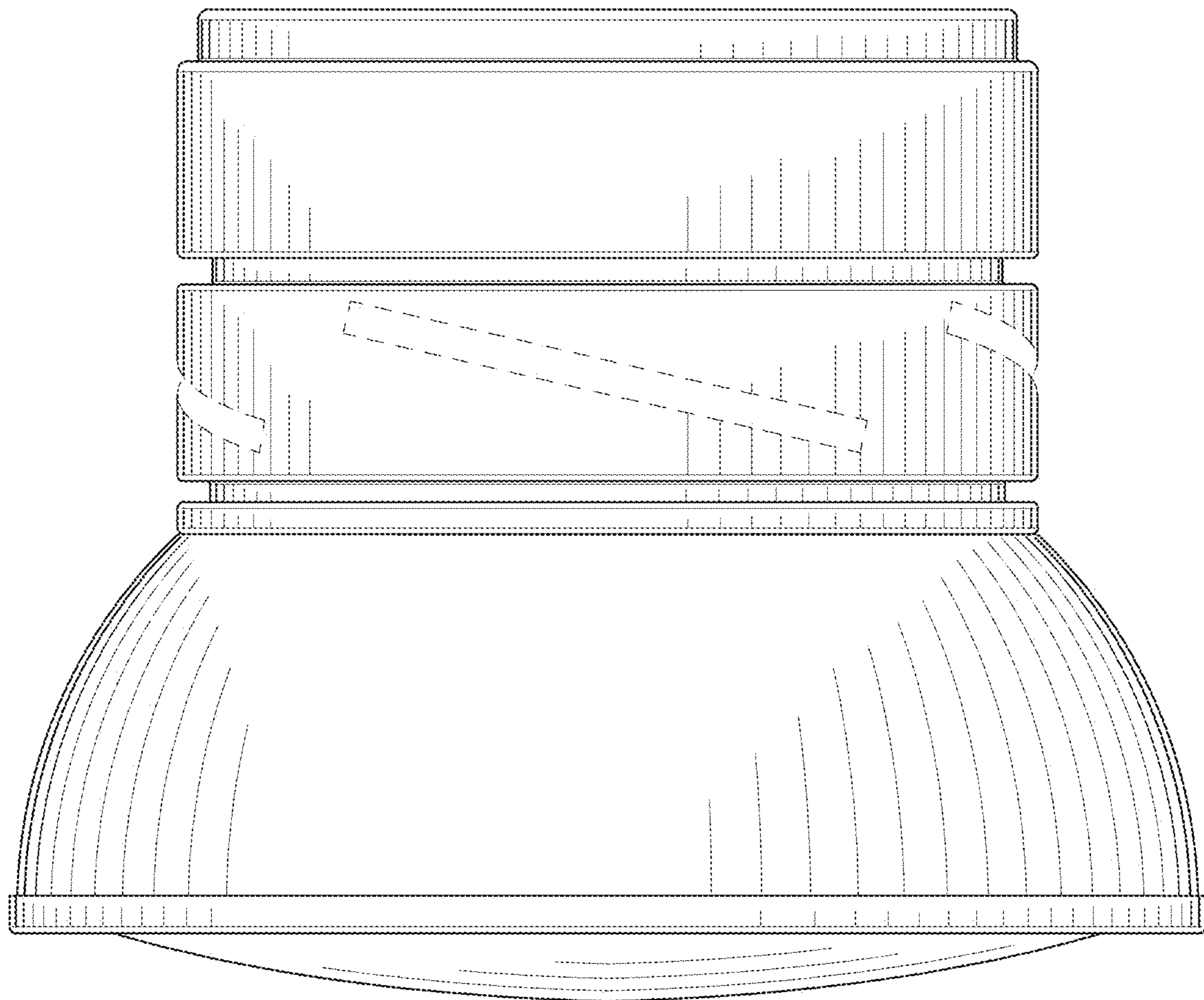


FIG.6