



US00D904596S

(12) **United States Design Patent** (10) **Patent No.:** **US D904,596 S**
Holmes (45) **Date of Patent:** **** Dec. 8, 2020**

(54) **CEILING FAN BLADE IRON**
(71) Applicant: **HUNTER FAN COMPANY,**
Memphis, TN (US)
(72) Inventor: **Christine Holmes,** Memphis, TN (US)
(73) Assignee: **Hunter Fan Company,** Memphis, TN
(US)
(**) Term: **15 Years**
(21) Appl. No.: **29/712,056**
(22) Filed: **Nov. 5, 2019**

D507,826 S 7/2005 Young
D547,433 S 7/2007 Wang
D559,378 S 1/2008 Frampton
D568,983 S * 5/2008 Pan D23/411
D595,404 S 6/2009 Pan
D598,091 S 8/2009 Orozco
D627,870 S 11/2010 Wang
(Continued)

Related U.S. Application Data

(62) Division of application No. 29/582,455, filed on Oct.
27, 2016, now Pat. No. Des. 872,849.
(51) **LOC (12) Cl.** **23-04**
(52) **U.S. Cl.**
USPC **D23/411**
(58) **Field of Classification Search**
USPC D23/370-385, 411-414; D13/179;
D15/5, 7; D8/366, 373
CPC F04D 25/088; F04D 29/38; F04D 25/06;
F04D 19/002; F04D 29/522; F04D
29/5853; F04D 29/326
See application file for complete search history.

References Cited

U.S. PATENT DOCUMENTS

D358,877 S 5/1995 Tsuji
D376,004 S 11/1996 Tsuji
D388,871 S 1/1998 Jack
D404,480 S * 1/1999 Liu D23/377
D409,301 S 5/1999 Thomas
D461,889 S 8/2002 Tang
D464,132 S 10/2002 Campbell
D478,381 S 8/2003 Tai
D480,796 S 10/2003 Young

OTHER PUBLICATIONS

<http://kingoffans.com/#/products>, Item Specification for Sibley, Model
No. 46800, Accessed on Oct. 27, 2016.
(Continued)

Primary Examiner — Janice Hallmark
(74) *Attorney, Agent, or Firm* — McGarry Bair PC

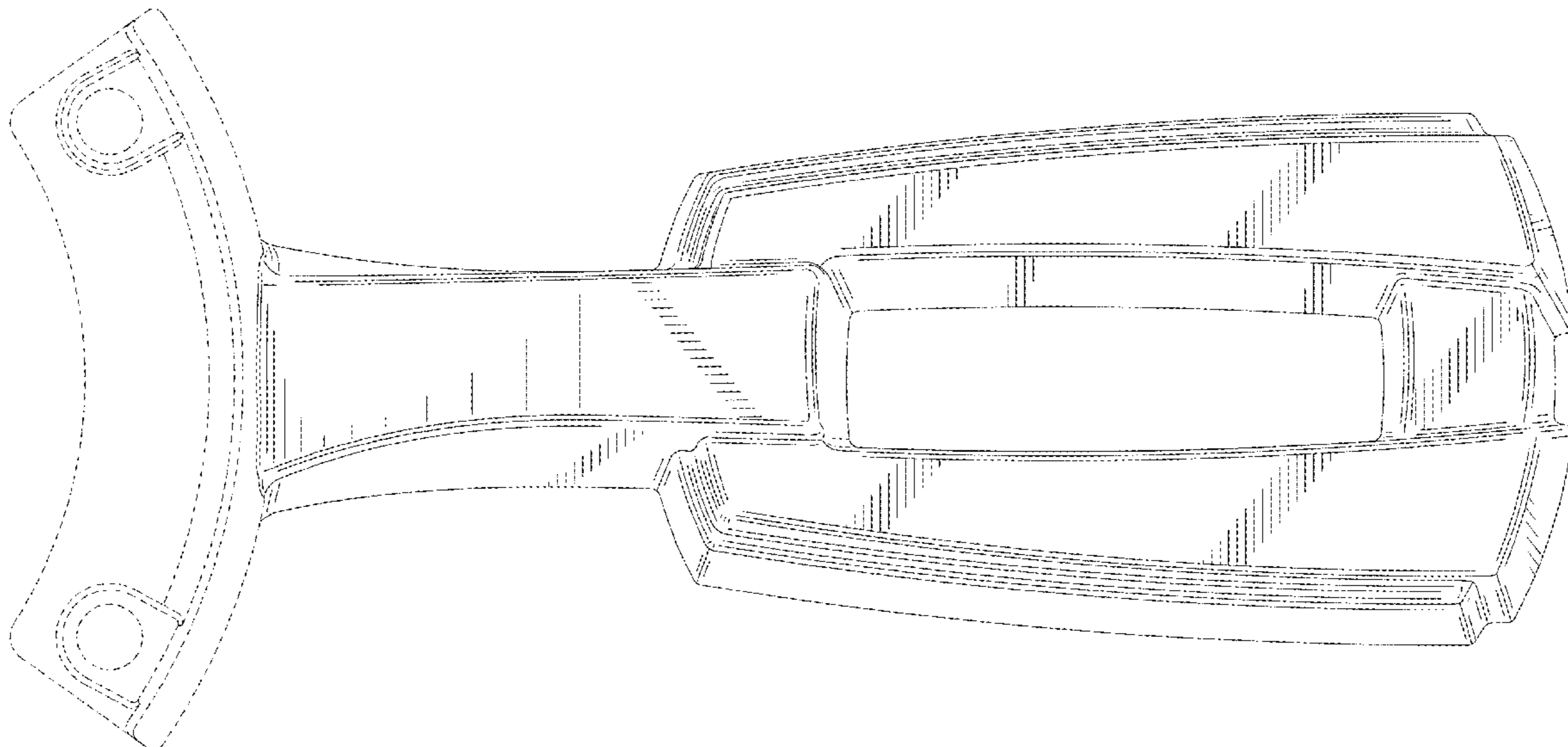
(57) **CLAIM**

The ornamental design for a ceiling fan blade iron, as shown
and described.

DESCRIPTION

FIG. 1 is a bottom perspective view of a ceiling fan blade iron showing my new design in the environment of a ceiling fan;
FIG. 2 is a top perspective view of the ceiling fan blade iron of FIG. 1 with the environment of a ceiling fan removed;
FIG. 3 is a top view thereof;
FIG. 4 is a bottom view thereof;
FIG. 5 is a front view thereof;
FIG. 6 is a rear view thereof;
FIG. 7 is a right side view thereof; and,
FIG. 8 is a left side view thereof.
The ceiling fan shown in broken line in FIG. 1 depicts environmental subject matter and forms no part of the claimed design. All other broken lines illustrate portions of the ceiling fan blade iron that form no part of the claimed design.

1 Claim, 8 Drawing Sheets



(56)

References Cited

U.S. PATENT DOCUMENTS

D671,635	S	11/2012	Pan	
D705,922	S	5/2014	Wang	
D707,347	S	6/2014	Wang	
D707,348	S	6/2014	Pan	
D710,988	S	8/2014	Pan	
D744,080	S	11/2015	Wang	
D745,134	S	12/2015	Wang	
D745,960	S	* 12/2015	Pickett	D23/411
D773,636	S	* 12/2016	Wang	D23/411
D778,427	S	* 2/2017	Hidalgo	D23/411
D787,040	S	* 5/2017	Badarello	D23/411
D804,634	S	12/2017	Holmes	
D805,624	S	12/2017	O'Connell et al.	
D809,644	S	2/2018	Holmes et al.	
D810,912	S	2/2018	McRoberts	
D810,916	S	2/2018	Holmes et al.	
D818,574	S	* 5/2018	Hidalgo	D23/411
D821,563	S	* 6/2018	Holmes	D23/411
D827,805	S	9/2018	Biancuzzo	
D872,849	S	* 1/2020	Holmes	D23/377
2009/0246028	A1	* 10/2009	Richardson	F04D 29/34 416/210 R

OTHER PUBLICATIONS

<http://www.craftmade.com/Craftmade-CN52OBG5-Oiled-Bronze-Gilded-Ceiling-Fan.HTM>, Item Specification for Copeland, Model No. CN52OBG5, Accessed on Oct. 27, 2016.

<http://www.craftmade.com/Craftmade-FZA52OB5C1-Oiled-Bronze-Ceiling-Fan.HTM>, Item Specification for Forza, Model No. FZA52OB5C1, Accessed on Oct. 27, 2016.

<http://www.craftmade.com/Ellington-Fans-PNB52OBG5-Oiled-Bronze-Gilded-Ceiling-Fan.HTM>, Item Specification for Craftmade Ellington Penbrooke, Model No. PNB52OBG5, Accessed on Oct. 27, 2016.

<http://www.kichler.com/products/product/52-inch-canfield-pro-fan-obb-337016obb.aspx>, Item Specification for Kichler Canfield Pro Collection 52 Inch Canfield Pro Fan OBB, Model No. 337016OBB, Accessed on Oct. 27, 2016.

<http://www.kichler.com/products/product/60-terra-select-ceiling-fan-ni-330250ni.aspx>, Item Specification for Kichler Terra Select Collection 60" Terra Select Ceiling Fan NI, Model No. 330250NI, Accessed on Oct. 27, 2016.

<http://www.homedepot.com/p/Hampton-Bay-Langston-60-in-Oil-Rubbed-Bronze-Ceiling-Fan-YG215D-ORB/100665880>, Item Specification for Hampton Bay Langston 60 in. Oil Rubbed Bronze Ceiling Fan, Model No. YG215D-ORB, Accessed on Oct. 27, 2016.

<http://www.homedepot.com/p/Hampton-Bay-Gazebo-II-52-in-Indoor-Outdoor-Natural-Iron-Ceiling-Fan-YG188-NI/202528706>, Item Specification for Hampton Bay Gazebo II 52 in. Indoor/Outdoor Natural Iron Ceiling Fan, Model No. YG188-NI, Accessed on Oct. 27, 2016.

<http://www.montecarlofans.com/50813/60-Colony-Super-Max-Plus---Rubberized-White-5CSM60RZWD.html>, Item Specification for Monte Carlo 60" Colony Super Max Plus, Model No. 5CSM60RZWD, Accessed on Oct. 27, 2016.

<http://www.hunterfan.com/Ceiling-Fans/Holden?ModelNumber=51064>, Item Specification for Hunter Fan Holden 44" Ceiling Fan, Model No. 51064, Accessed on Oct. 27, 2016.

<http://www.hunterfan.com/Ceiling-Fans/Hartwell?ModelNumber=51067>, Item Specification for Hunter Fan Hartwell 46" Ceiling Fan, Model No. 51067, Accessed on Oct. 27, 2016.

<http://www.hunterfan.com/Ceiling-Fans/Anfield?ModelNumber=5326>, Item Specification for Hunter Fan Anfield 54" Ceiling Fan, Model No. 53265, Accessed on Oct. 27, 2016.

<http://www.hunterfan.com/Ceiling-Fans/Donegan-Bowl-Light?ModelNumber=52227>, Item Specification for Hunter Fan Donegan Bowl Light 44" Ceiling Fan, Model No. 52227, Accessed on Oct. 27, 2016.

<http://www.hunterfan.com/Ceiling-Fans/Estate-Winds?ModelNumber=54165>, Item Specification for Hunter Fan Estate Winds—56" Ceiling Fan, Model No. 54165, Accessed on Oct. 27, 2016.

<http://www.hunterfan.com/Ceiling-Fans/Builder-Small-Room?ModelNumber=52219>, Item Specification for Hunter Fan Builder Small Room—Bowl—42" Ceiling Fan, Model No. 52219, Accessed on Oct. 27, 2016.

<http://www.hunterfan.com/Ceiling-Fans/Denali?ModelNumber=53273>, Item Specification for Hunter Fan Denali—54" Ceiling Fan, Model No. 53273, Accessed on Oct. 27, 2016.

<http://www.kingoffans.com/#/products>, Item Specification for Cabrera, Model No. 61375, Accessed on Oct. 27, 2016.

<http://www.kingoffans.com/#/products>, Item Specification for Clarrington, Model No. 613963, Accessed on Oct. 27, 2016.

<http://www.kingoffans.com/#/products>, Item Specification for Lynwood Model No. 36945 Accessed on Oct. 27, 2016.

<http://www.kichler.com/products/product/52-inch-monarch-ii-select-fan-oz-339213oz.aspx>, Kichler Monarch II Select Collection 52 Inch Monarch II Select Fan OZ, Model No. 339213OZ, Accessed on Oct. 27, 2016.

<http://www.lowes.com/pd/Harbor-Breeze-Easy-Breeze-54-in-Antique-Bronze-Downrod-or-Close-Mount-Indoor-Ceiling-Fan-with-LED-Light-Kit-ENERGY-STAR/1000085121>, Item Specification for Harbor Breeze Easy Breeze 54-in Antique Bronze Downrod or Close Mount Indoor Ceiling Fan with LED Light Kit, Model No. 887, Accessed on Oct. 27, 2016.

<http://www.homedepot.com/p/Hampton-Bay-Lynwood-52-in-Oil-Rubbed-Bronze-Indoor-Ceiling-Fan-36945/100630837>, Item Specification for Hampton Bay Lynwood 52 in. Oil Rubbed Bronze Indoor Ceiling Fan, Model No. 36945, Accessed on Oct. 27, 2016.

<http://www.quoruminternational.com/index.cfm/app/productDetail?product=77525-9508>, Item Specification for Quorum Capri Studio White Ceiling Fan, Model No. 77525-9508, Accessed on Oct. 27, 2016.

<http://www.minkagroup.net/products/f614-pi>, Item Specification for Minka Group Timeless, Model No. F614-PI, Accessed on Oct. 27, 2016.

<http://www.minkagroup.net/products/f513-orb>, Item Specification for Minka Group New Era, Model No. F513-ORB, Accessed on Oct. 27, 2016.

<http://www.minkagroup.net/products/f539-orb>, Item Specification for Minka Group Great Room Traditional, Model No. F539-ORB, Accessed on Oct. 27, 2016.

<http://www.craftmade.com/Craftmade-B552C-W-Ceiling-Fan-Blades.HTM>, Item Specification for Craftmade Contour Series, Model No. B552C-W, Accessed on Oct. 27, 2016.

<http://ceilingfans.emerson.com/shop/en/fan/fan-s-all/fans-s-browse-all/22-solid-wood-blades-fan-b77nc>, Item Specification for Emerson 22" Solid Wood Blades, Model No. B77NC, Accessed on Oct. 27, 2016.

<http://www.kichler.com/products/product/climates-blade-set--371012.aspx>, Item Specification for Kichler Climates Blade Set, Model No. 371012, Accessed on Oct. 27, 2016.

<http://www.hunterfan.com/Ceiling-Fans/Meridale?ModelNumber=53306>, Item Specification for Hunter Fan Meridale—52" Ceiling Fan, Model No. 53306.

* cited by examiner

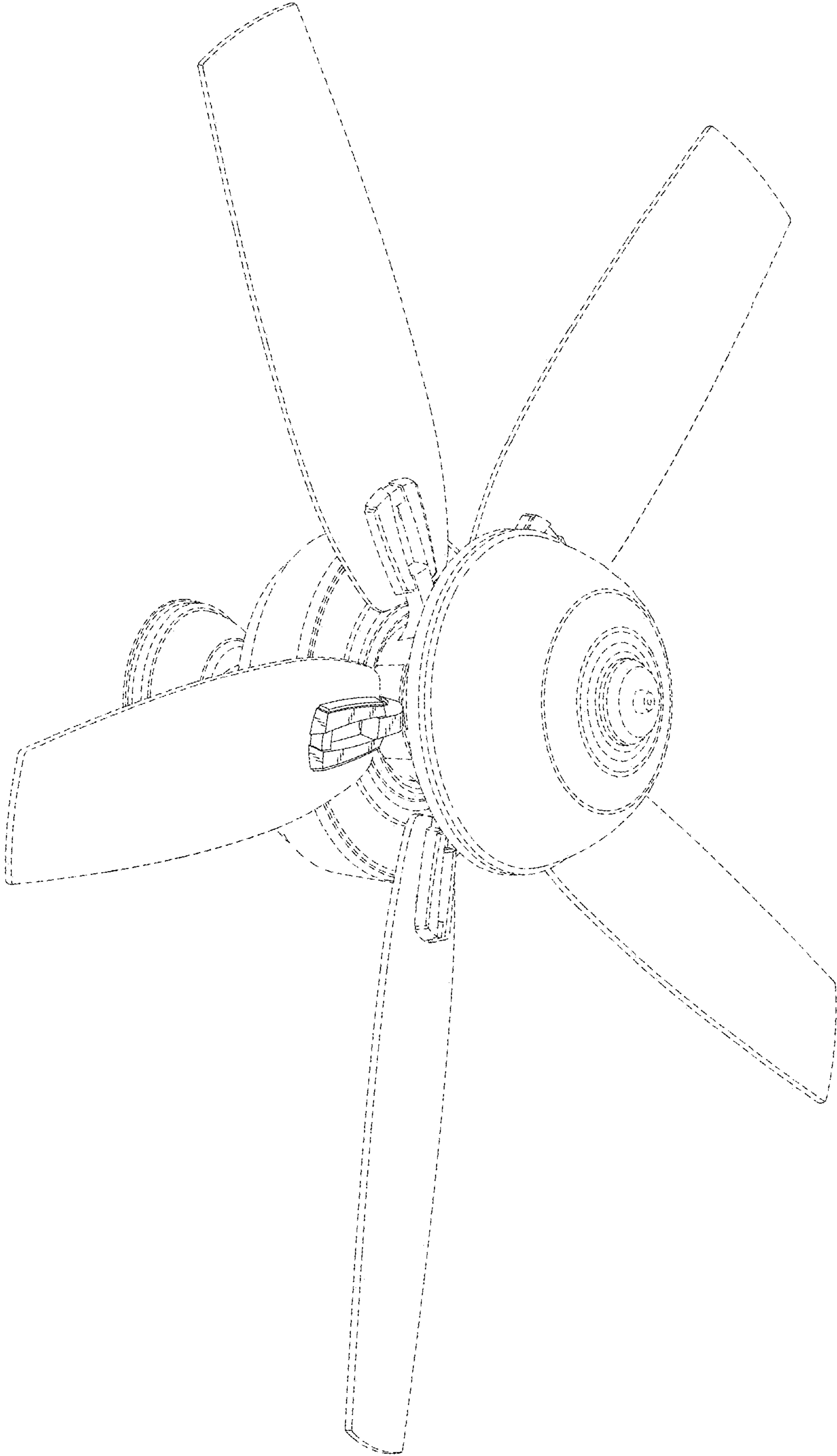


FIG.1

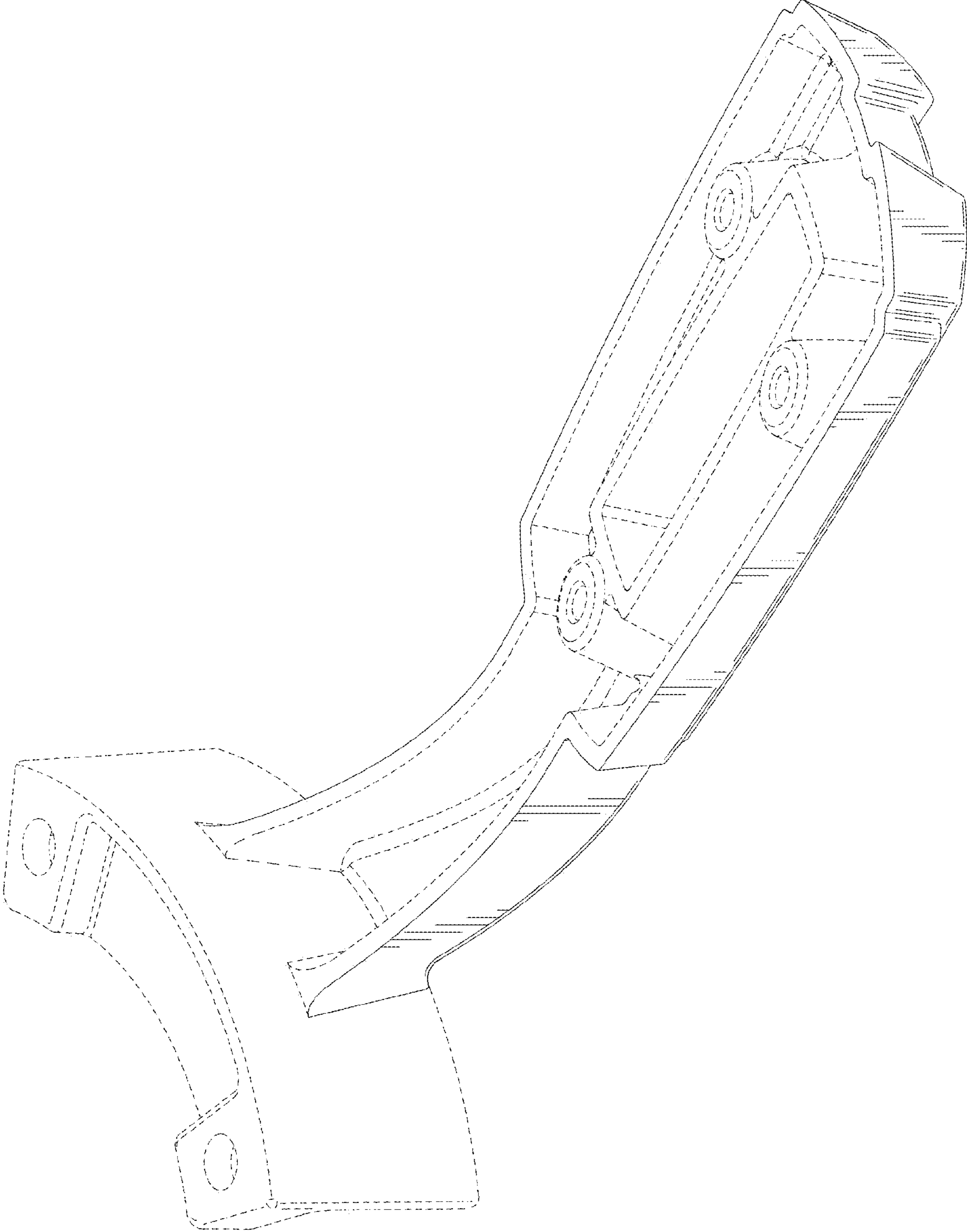


FIG.2

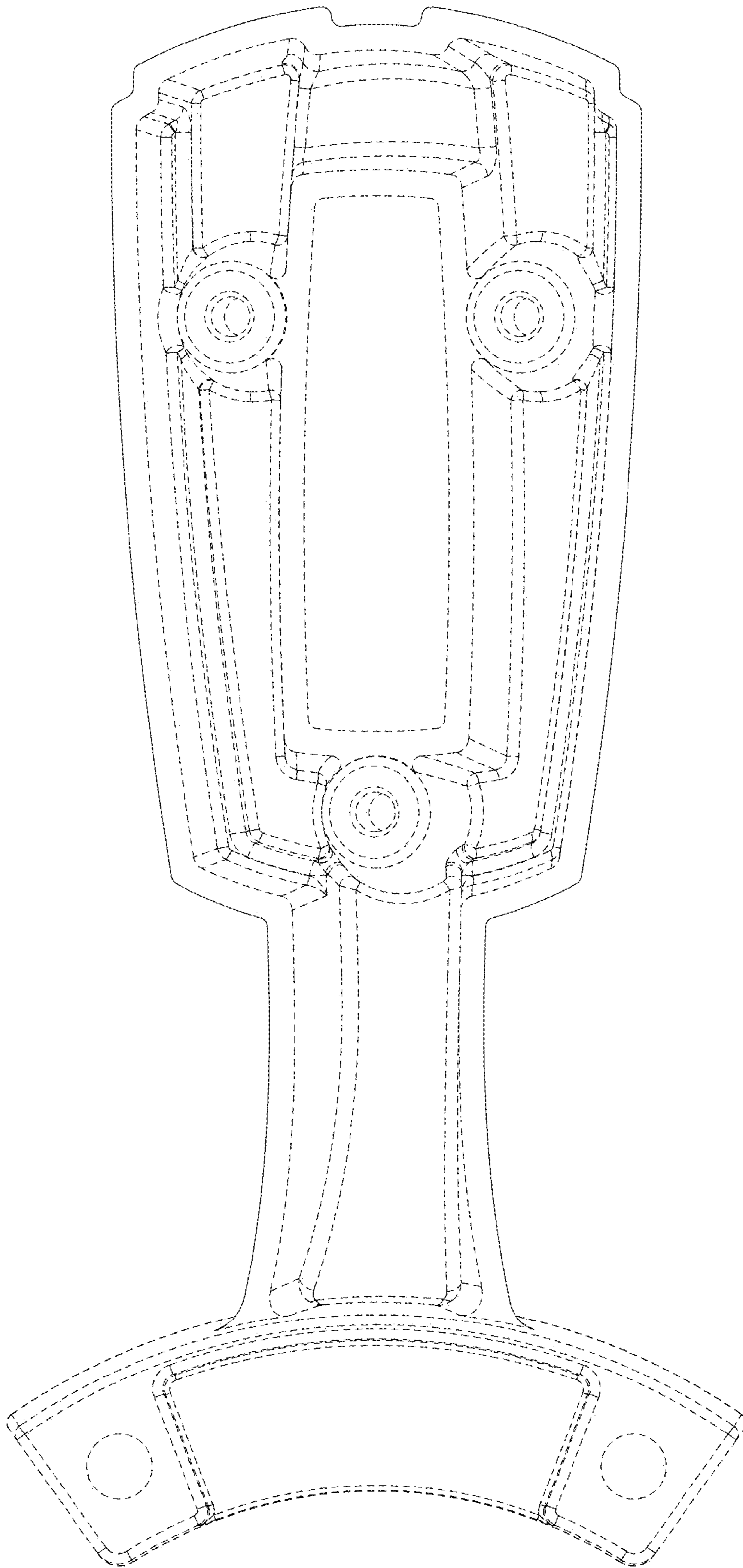


FIG.3

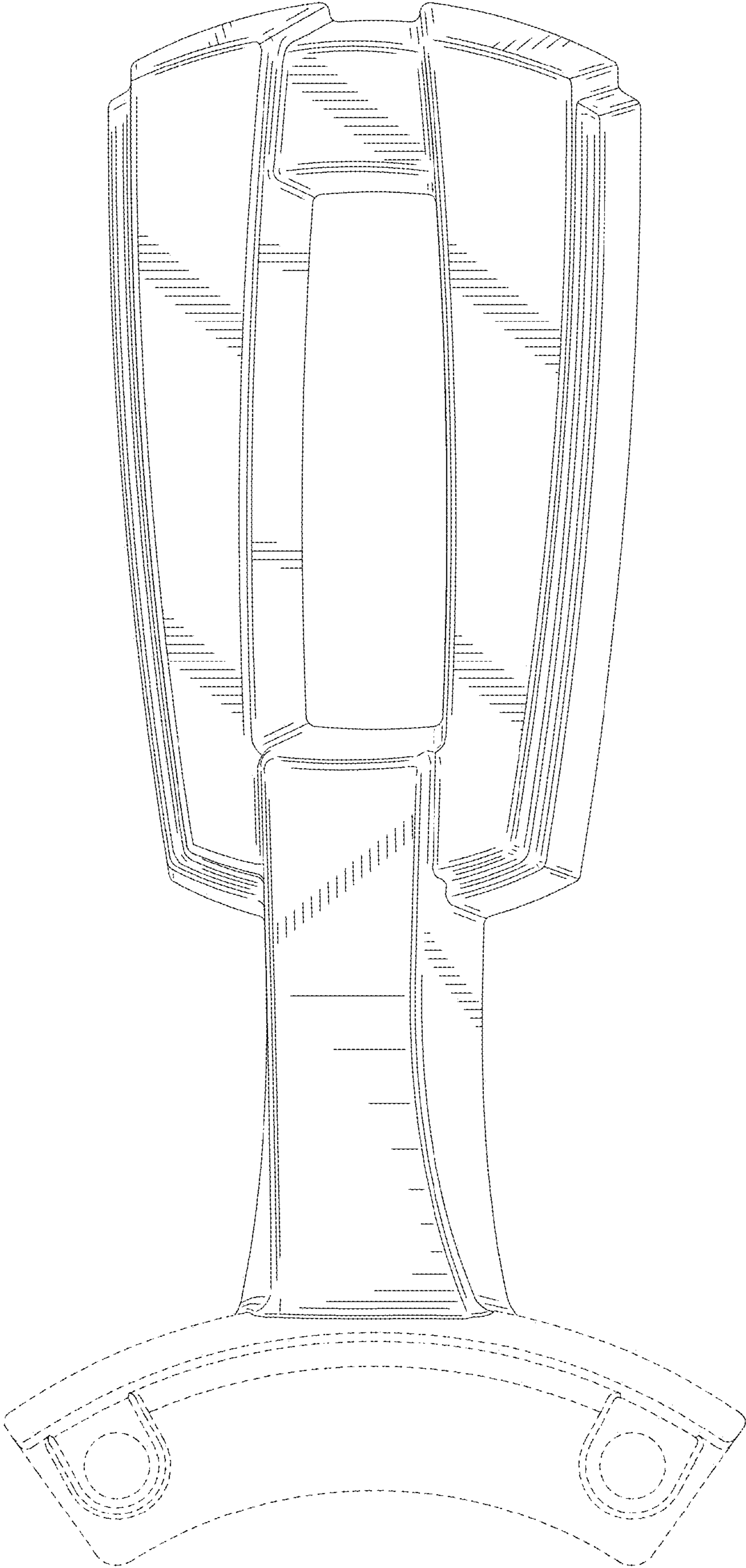


FIG.4

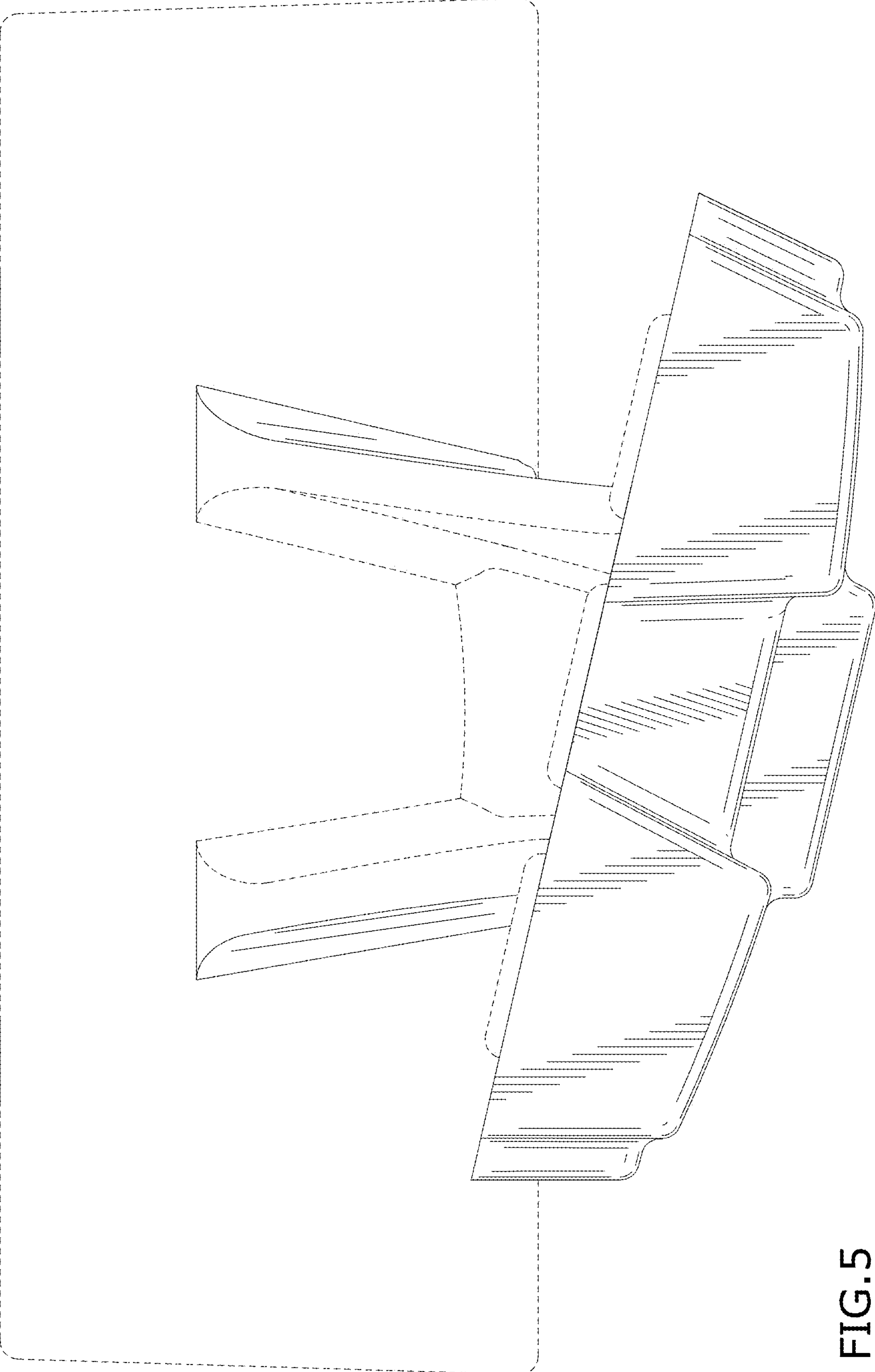


FIG. 5

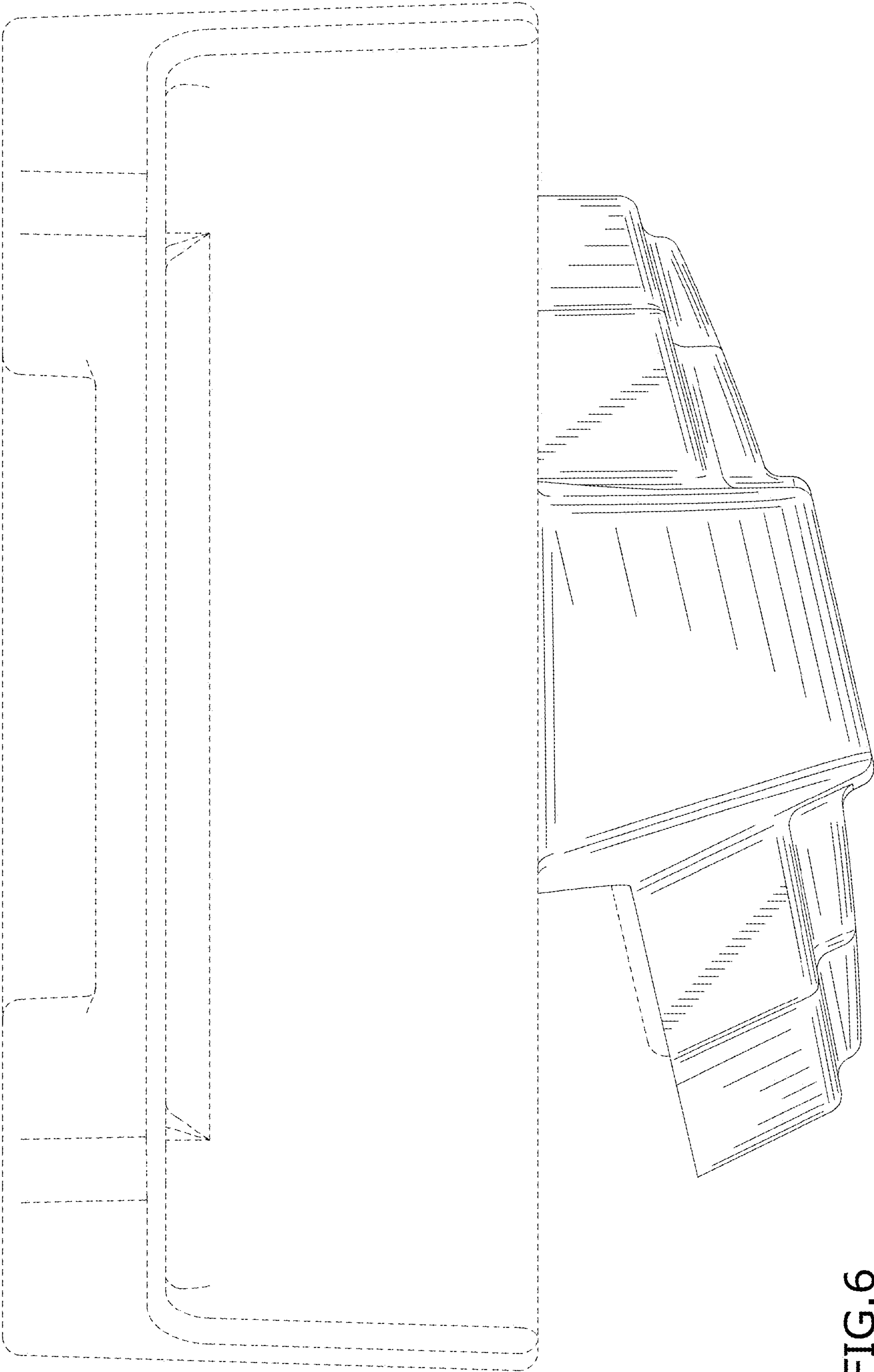


FIG.6

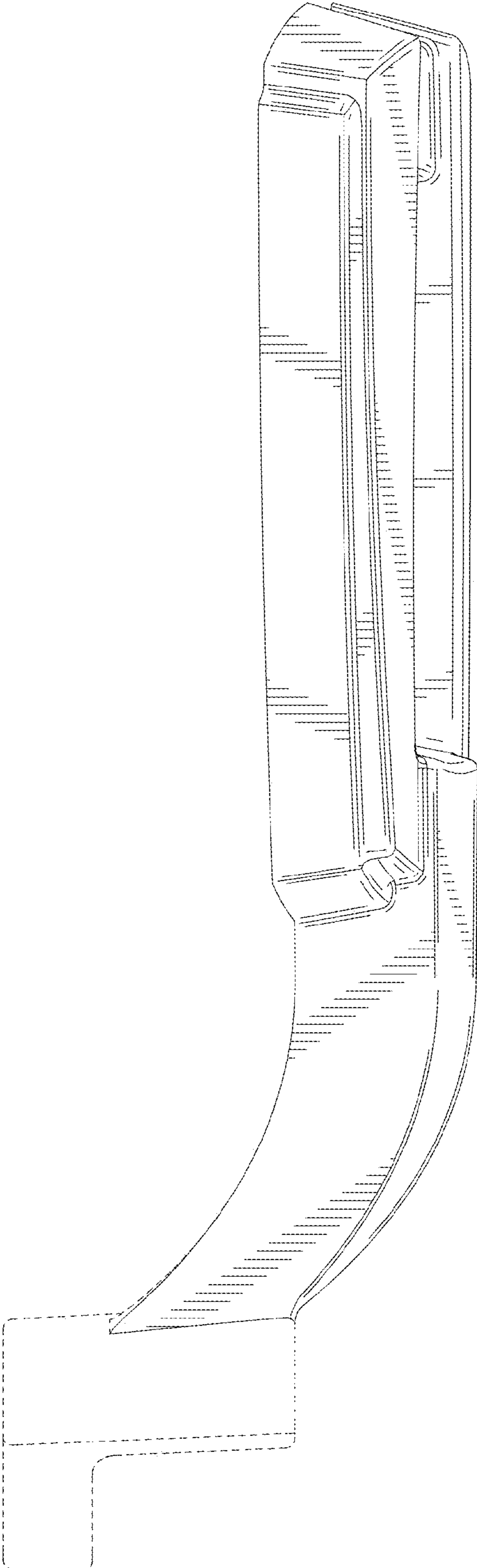


FIG. 7

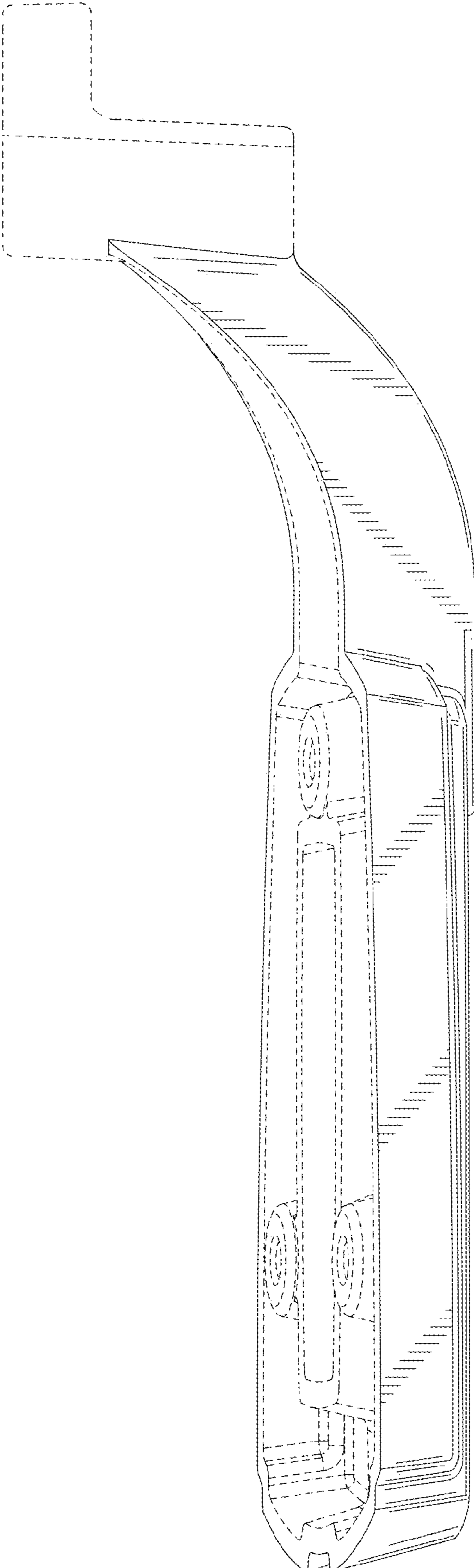


FIG.8