



US00D904595S

(12) **United States Design Patent** (10) **Patent No.:** **US D904,595 S**  
**Holmes** (45) **Date of Patent:** **\*\* Dec. 8, 2020**

(54) **CEILING FAN BLADE IRON**  
(71) Applicant: **HUNTER FAN COMPANY**,  
Memphis, TN (US)  
(72) Inventor: **Christine Holmes**, Memphis, TN (US)  
(73) Assignee: **Hunter Fan Company**, Memphis, TN  
(US)

D449,396 S 10/2001 Campbell  
D476,406 S 6/2003 Friedes  
D476,411 S 6/2003 Friedes  
D479,872 S 9/2003 Young  
D489,126 S 4/2004 Young  
D510,622 S 10/2005 Tai  
D514,220 S \* 1/2006 Tai ..... D23/411  
D516,200 S 2/2006 Pickett  
D517,196 S 3/2006 Pickett  
(Continued)

(\*\*) Term: **15 Years**  
(21) Appl. No.: **29/650,233**  
(22) Filed: **Jun. 5, 2018**

**Related U.S. Application Data**

(62) Division of application No. 29/630,069, filed on Dec. 19, 2017, now Pat. No. Des. 825,086, which is a division of application No. 29/582,347, filed on Oct. 27, 2016, now Pat. No. Des. 810,918.  
(51) **LOC (12) Cl.** ..... **23-04**  
(52) **U.S. Cl.**  
USPC ..... **D23/411**  
(58) **Field of Classification Search**  
USPC ..... D23/370-385, 411-414; D13/179;  
D15/5, 7  
CPC ..... F04D 25/088; F04D 29/38; F04D 25/06;  
F04D 19/002; F04D 29/522; F04D  
29/5853; F04D 29/326  
See application file for complete search history.

(56) **References Cited**

**U.S. PATENT DOCUMENTS**

D192,402 S 3/1962 Hart  
4,666,670 A 5/1987 Cox  
D328,951 S \* 8/1992 Scofield ..... D23/411  
D383,528 S 9/1997 Collmar  
D435,289 S 12/2000 Liu  
D442,275 S \* 5/2001 Dolan ..... D23/411

**OTHER PUBLICATIONS**

<http://www.hunterfan.com/Ceiling-Fans/Ocala?ModelNumber=59214>, Item Specification for Ocala—52" Ceiling Fan, Accessed Oct. 26, 2016.

(Continued)

*Primary Examiner* — Janice Hallmark  
(74) *Attorney, Agent, or Firm* — McGarry Bair PC

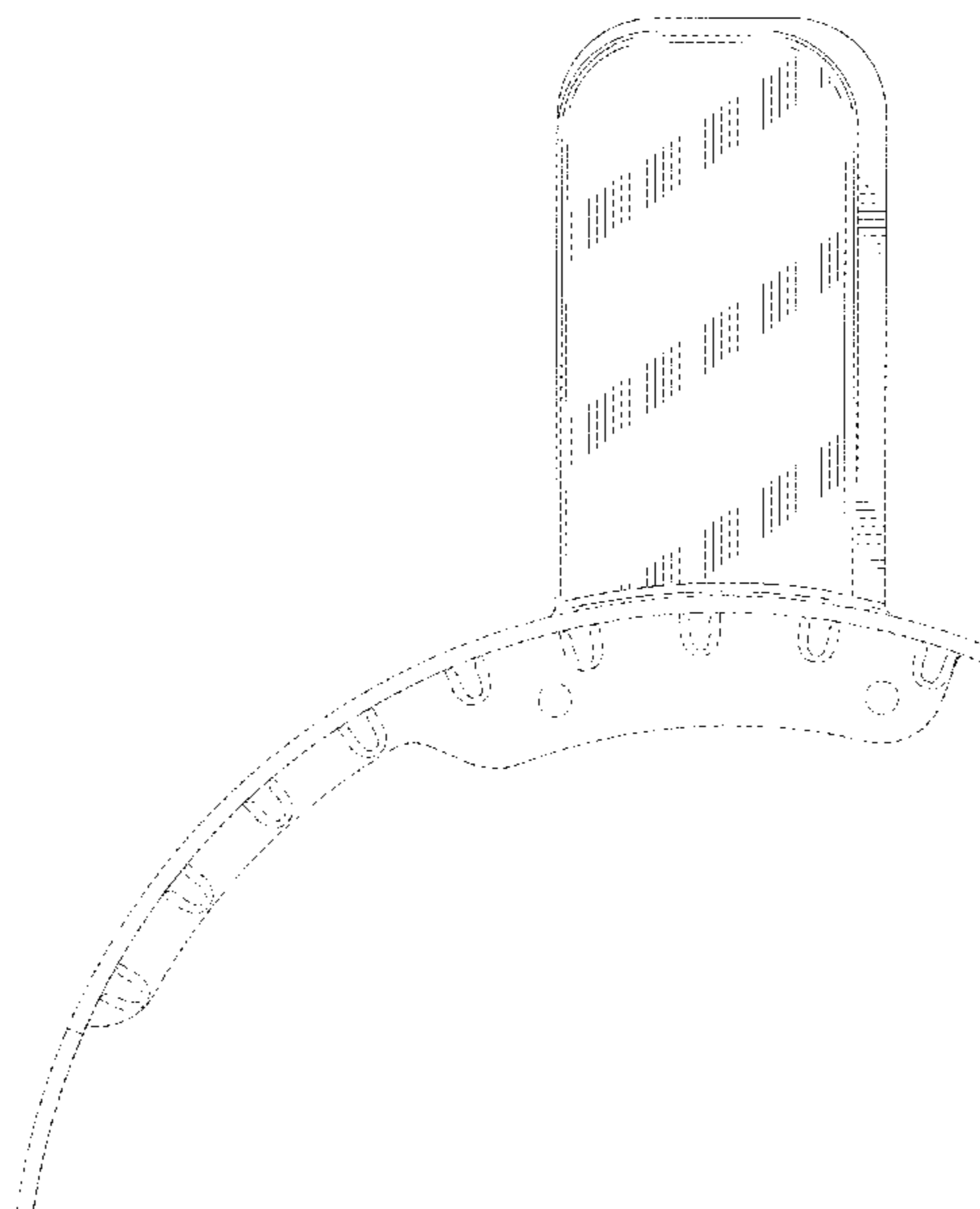
(57) **CLAIM**

The ornamental design for a ceiling fan blade iron, as shown and described.

**DESCRIPTION**

FIG. 1 is a bottom perspective view of a ceiling fan blade iron in the environment of a ceiling fan, showing my new design;  
FIG. 2 is a top perspective view of the blade iron of FIG. 1;  
FIG. 3 is a top view of the blade iron of FIG. 1;  
FIG. 4 is a bottom view of the blade iron of FIG. 1;  
FIG. 5 is a front side view of the blade iron of FIG. 1;  
FIG. 6 is a rear side view of the blade iron of FIG. 1;  
FIG. 7 is a left side view of the blade iron of FIG. 1; and,  
FIG. 8 is a right side view of the blade iron of FIG. 1.  
Portions of the ceiling fan blade iron and ceiling fan environment shown in broken lines form no part of the claimed design.

**1 Claim, 8 Drawing Sheets**



(56)

References Cited

U.S. PATENT DOCUMENTS

D517,197 S 3/2006 Pickett  
 D517,675 S 3/2006 Young  
 D521,625 S 5/2006 Young  
 D525,696 S 7/2006 Ertze  
 D528,645 S 9/2006 Young  
 D529,163 S 9/2006 Young  
 D532,104 S \* 11/2006 Pickett ..... D23/411  
 D535,384 S \* 1/2007 Pickett ..... D23/411  
 D535,739 S 1/2007 Pan  
 D539,894 S 4/2007 Bucher  
 D551,337 S \* 9/2007 Pickett ..... D23/411  
 D555,779 S 11/2007 Bucher  
 D576,720 S 9/2008 Bucher et al.  
 D580,546 S \* 11/2008 Smyth ..... D23/411  
 D581,509 S 11/2008 Marshall  
 D593,194 S 5/2009 Pan  
 D599,900 S 9/2009 Chen  
 D603,955 S \* 11/2009 Patton ..... D23/411  
 7,771,172 B2 \* 8/2010 Wang ..... F04D 25/088  
 416/210 R  
 D632,412 S 2/2011 Pan  
 D633,611 S 3/2011 Pan  
 D699,339 S 2/2014 Wang  
 D705,922 S \* 5/2014 Wang ..... D23/411  
 D708,314 S 7/2014 Pan  
 D710,489 S 8/2014 Shurtleff  
 D732,157 S 6/2015 Lin et al.  
 D787,040 S \* 5/2017 Badarello ..... D23/411  
 D799,664 S 10/2017 Wang  
 D804,633 S 12/2017 Holmes  
 D804,635 S 12/2017 Holmes  
 D804,638 S 12/2017 Guthrie  
 D804,640 S 12/2017 Haggar et al.  
 D805,173 S 12/2017 Vajen Habig et al.

D805,182 S 12/2017 Pickett  
 D806,852 S 1/2018 Holmes  
 D808,002 S 1/2018 Holmes  
 D810,918 S 2/2018 Holmes  
 D834,700 S \* 11/2018 Hidalgo ..... D23/411  
 D837,363 S \* 1/2019 Schulzman ..... D23/411  
 D877,318 S \* 3/2020 Holmes ..... D23/411

OTHER PUBLICATIONS

<https://www.amazon.com/Monte-Carlo-5DKR52ESD-Ceiling-Espresso/dp/B00TCDWKUE>, Item Specification for Monte Carlo Dakota Ceiling Fan, 52", Espresso, Accessed Oct. 26, 2016.  
<https://www.lowes.com/pd/Harbor-Breeze-Lansing-42-in-Aged-Bronze-Downrod-or-Close-Mount-Indoor-Ceiling-Fan-with-Light-Kit/4135884>, Item Specification for Harbor Breeze Lansing 42" Aged Bronze Downrod, Accessed Oct. 26, 2016.  
<http://www.homedepot.com/p/Hampton-Bay-North-Shoreline-46-in-Natural-Iron-Indoor-Outdoor-Ceiling-Fan-with-Light-Kit-51546/205643117>, Item Specification for Hampton Bay North Shoreline 46" Natural Iron Indoor/Outdoor Ceiling Fan with Light Kit, Accessed Oct. 26, 2016.  
<https://www.lowes.com/pd/Harbor-Breeze-Merrimack-52-in-Antique-Bronze-Downrod-Mount-Indoor-Outdoor-Ceiling-Fan-with-Light-Kit-and-Remote/4165863>, Item Specification for Harbor Breeze Merrimack 52-in Antique Bronze Downrod Mount Indoor/Outdoor Ceiling Fan with Light Kit and Remote, Accessed Oct. 26, 2016.  
<http://www.fanimation.com/products/index.php/fans/kaya.html>, Item Specification for Fanimation Kaya, Accessed Oct. 26, 2016.  
<https://www.lowes.com/pd/Hunter-Allegheny-52-in-New-Bronze-Flush-Mount-Indoor-Outdoor-Ceiling-Fan-with-Light-Kit/3819969>, Hunter Allegheny 52-in. New Bronze Flush Mouny Indoor/Outdoor Ceiling Fan with Light Kit, accessed Apr. 6, 2018.

\* cited by examiner

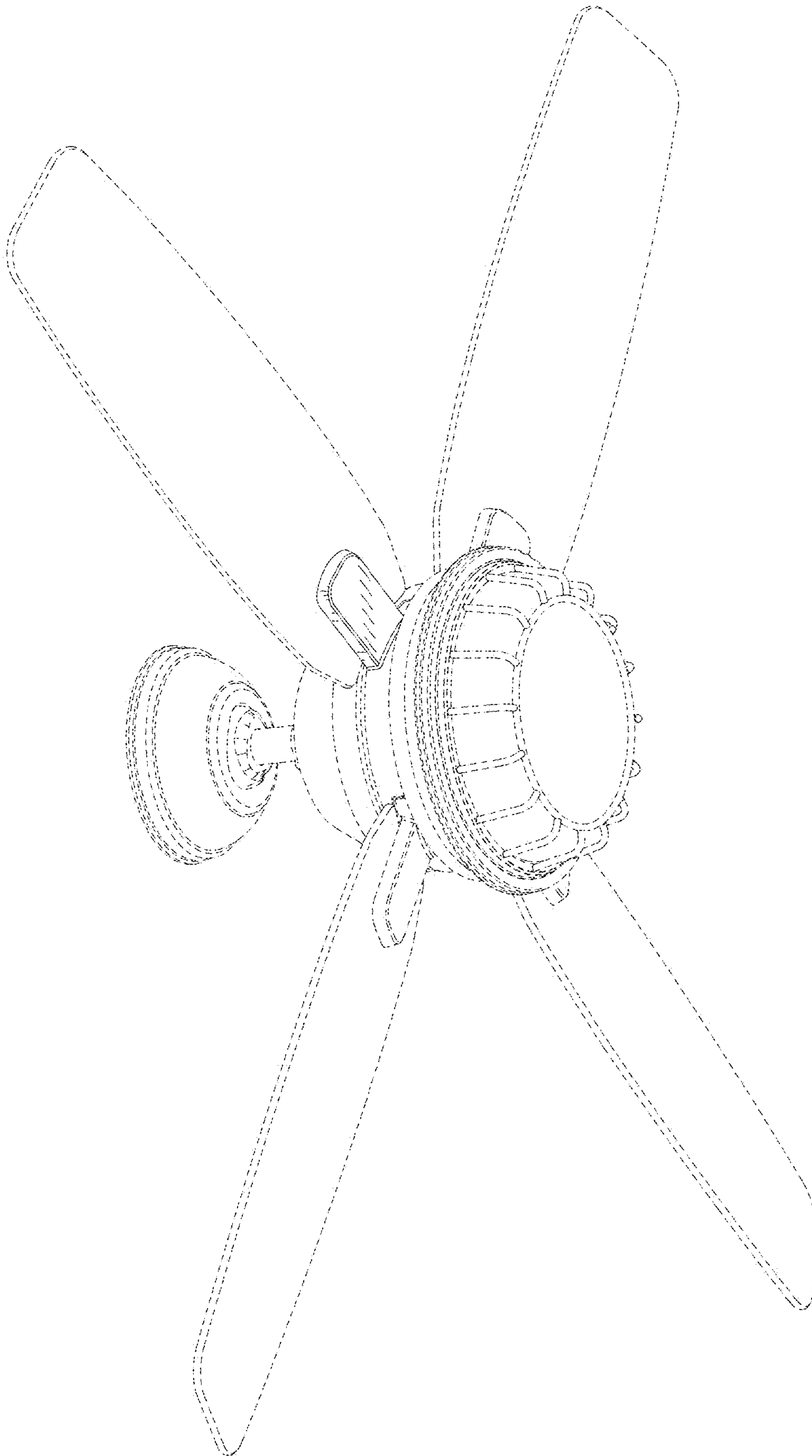


FIG.1

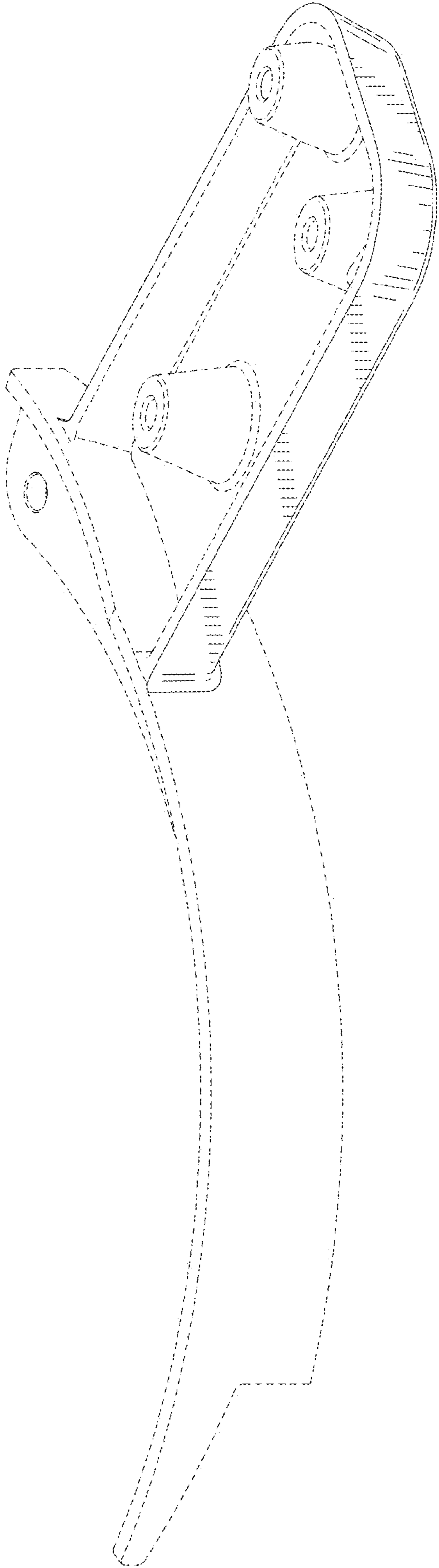


FIG.2

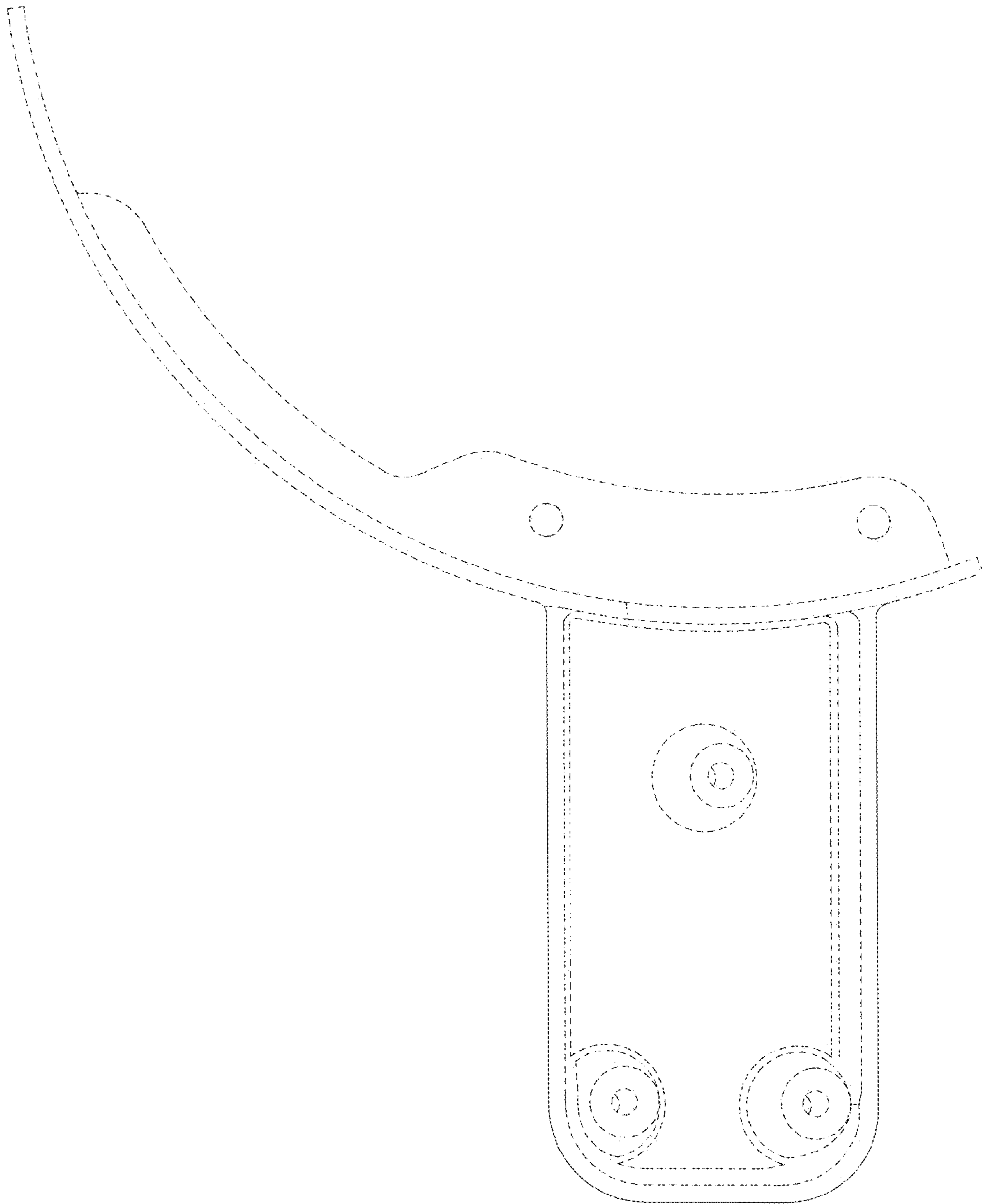


FIG.3

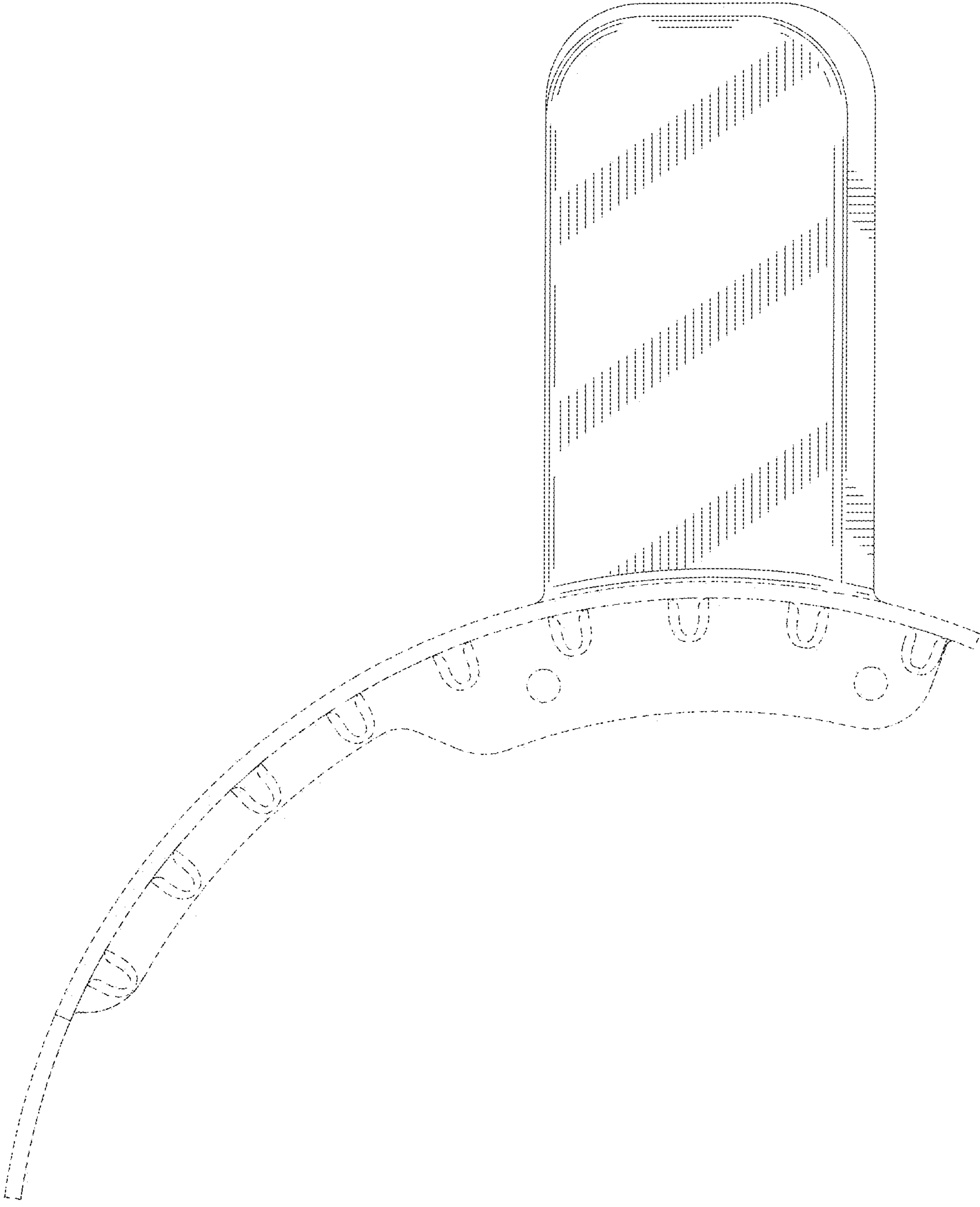


FIG.4

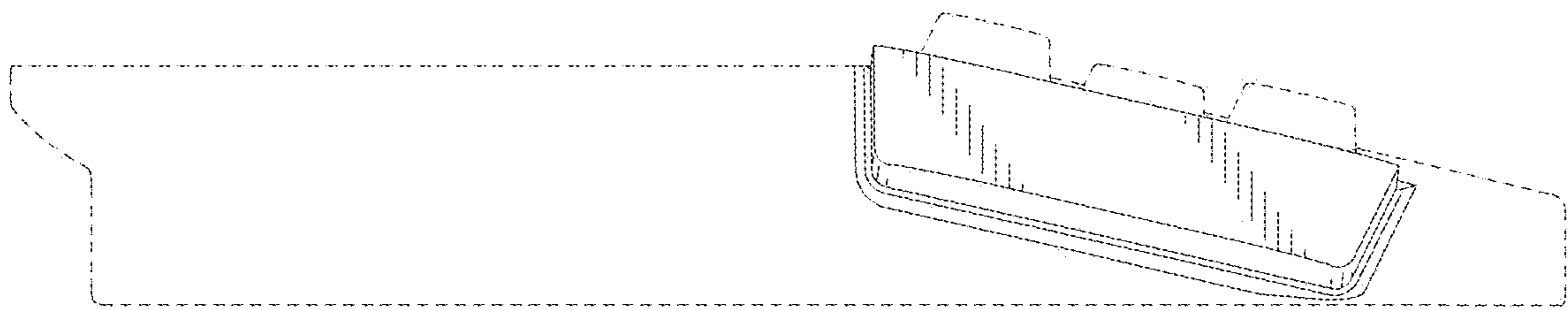


FIG.5

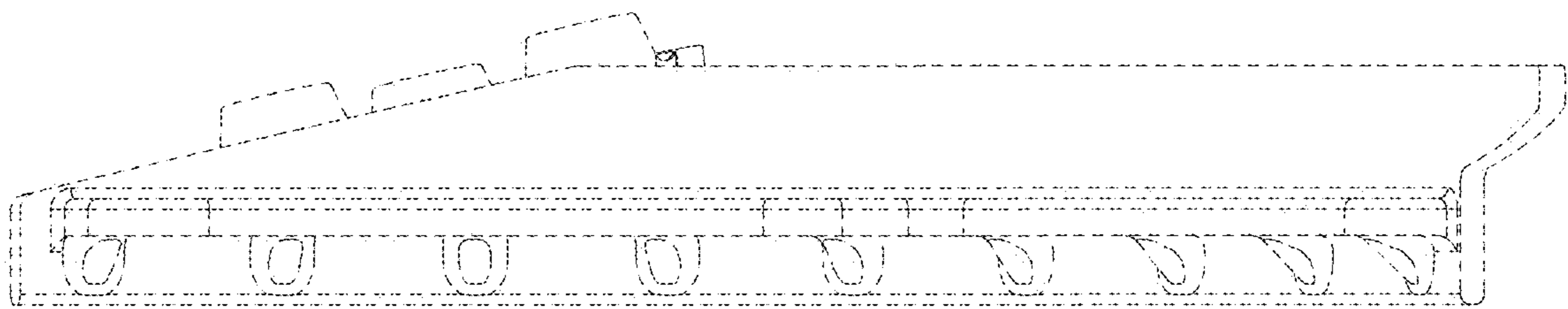


FIG.6



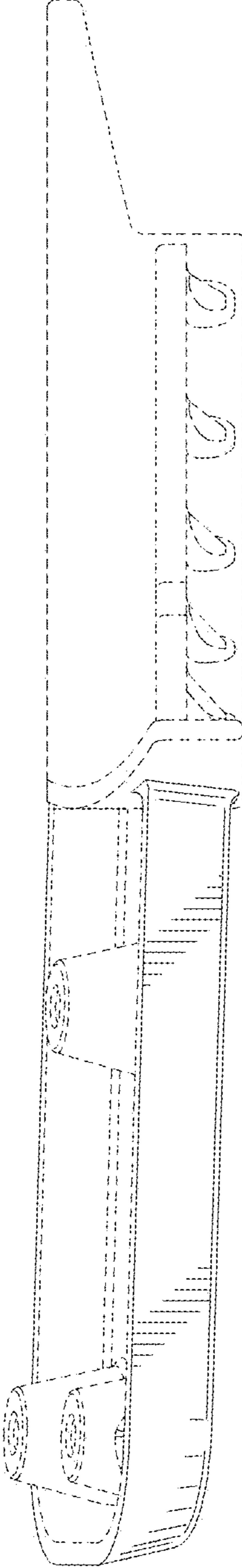


FIG.7

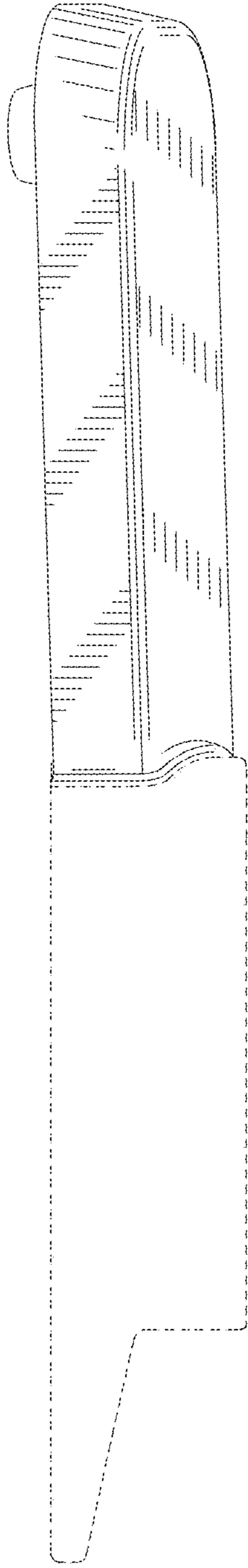


FIG. 8