



US00D904591S

(12) **United States Design Patent** (10) **Patent No.:** **US D904,591 S**
Wang (45) **Date of Patent:** **** Dec. 8, 2020**

(54) **CABINET AIR CONDITIONER**
(71) Applicants: **GD MIDEA AIR-CONDITIONING EQUIPMENT CO., LTD.**, Foshan (CN); **MIDEA GROUP CO., LTD.**, Foshan (CN)
(72) Inventor: **Hailu Wang**, Foshan (CN)
(73) Assignees: **GD MIDEA AIR-CONDITIONING EQUIPMENT CO., LTD.**, Foshan (CN); **MIDEA GROUP CO., LTD.**, Foshan (CN)

D689,994 S * 9/2013 Jun D23/351
D701,596 S * 3/2014 Yoo D23/351
D708,724 S * 7/2014 Yoo D23/351
D717,419 S * 11/2014 Choi D23/351
D777,892 S * 1/2017 Bu D23/351
D778,416 S * 2/2017 Bu D23/351
D797,268 S * 9/2017 Park D23/351
D799,656 S * 10/2017 Park D23/351
D819,189 S * 5/2018 Chen D23/332
D840,525 S * 2/2019 Park D23/351
D840,526 S * 2/2019 Park D23/351
D884,858 S * 5/2020 Zhang D23/333
D892,287 S * 8/2020 Park D23/351

* cited by examiner

(**) Term: **15 Years**

Primary Examiner — Natasha Vujcic
(74) *Attorney, Agent, or Firm* — Anova Law Group PLLC

(21) Appl. No.: **29/694,250**

(22) Filed: **Jun. 10, 2019**

(57) **CLAIM**

(30) **Foreign Application Priority Data**

The ornamental design of a cabinet air conditioner, as shown and described.

Feb. 19, 2019 (CN) 2019 3 0067849

(51) **LOC (12) Cl.** **23-04**

(52) **U.S. Cl.**
USPC **D23/351**

(58) **Field of Classification Search**
USPC D23/333, 351–354, 388
CPC F24F 1/00; F24F 1/0007; F24F 1/02; F24F 1/08; F24F 1/42; F24F 1/56; F24F 1/60; F24F 3/044; F24F 3/048; F24F 3/16; G05D 23/1905; G05D 23/1932; G05D 23/1902; G05D 23/1931; G05B 19/0426; G05B 19/409; G05B 15/02

See application file for complete search history.

DESCRIPTION

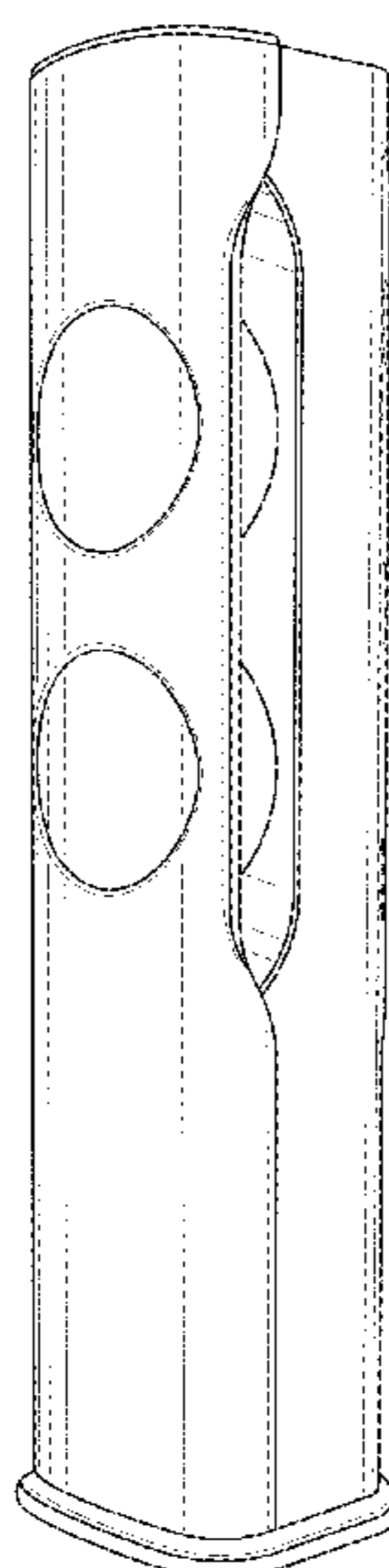
FIG. 1 is a perspective view of a cabinet air conditioner, showing my new design;
FIG. 2 is a top plan view thereof;
FIG. 3 is a bottom plan view thereof.
FIG. 4 is a front elevation view thereof;
FIG. 5 is a rear elevation view thereof;
FIG. 6 is a left side elevation view thereof;
FIG. 7 is a right side elevation view thereof;
FIG. 8 is a perspective view thereof in a use configuration; and,
FIG. 9 is a ride side elevation view thereof in the use configuration of FIG. 8.
The broken lines immediately adjacent the shaded area represent the bounds of the claimed design while all other broken lines illustrate portions of the cabinet air conditioner which form no part of the claimed design.

(56) **References Cited**

U.S. PATENT DOCUMENTS

D468,414 S * 1/2003 Fok D23/328
D683,005 S * 5/2013 Park D23/351
D689,993 S * 9/2013 Yoon D23/351

1 Claim, 5 Drawing Sheets



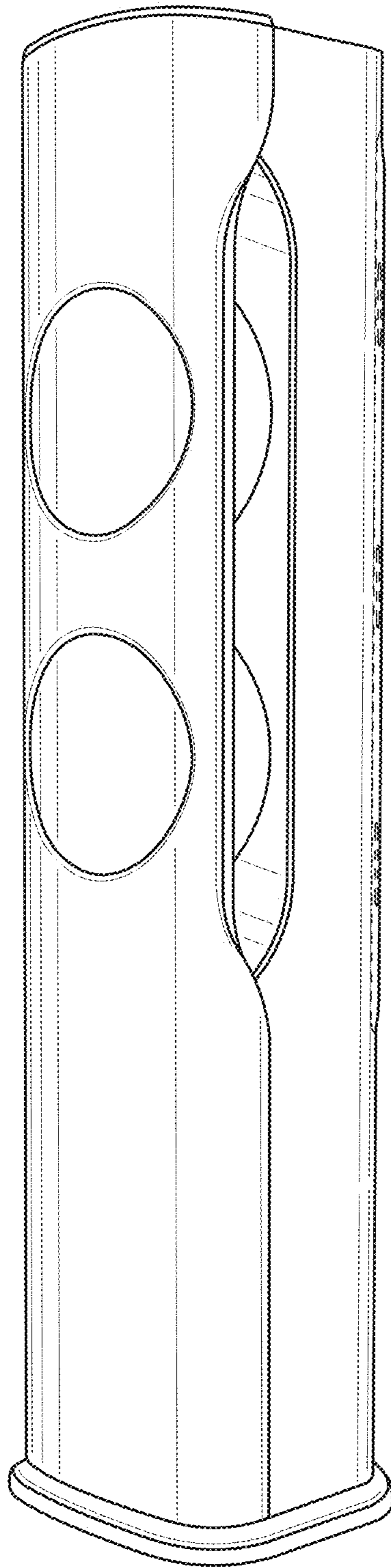


FIG. 1

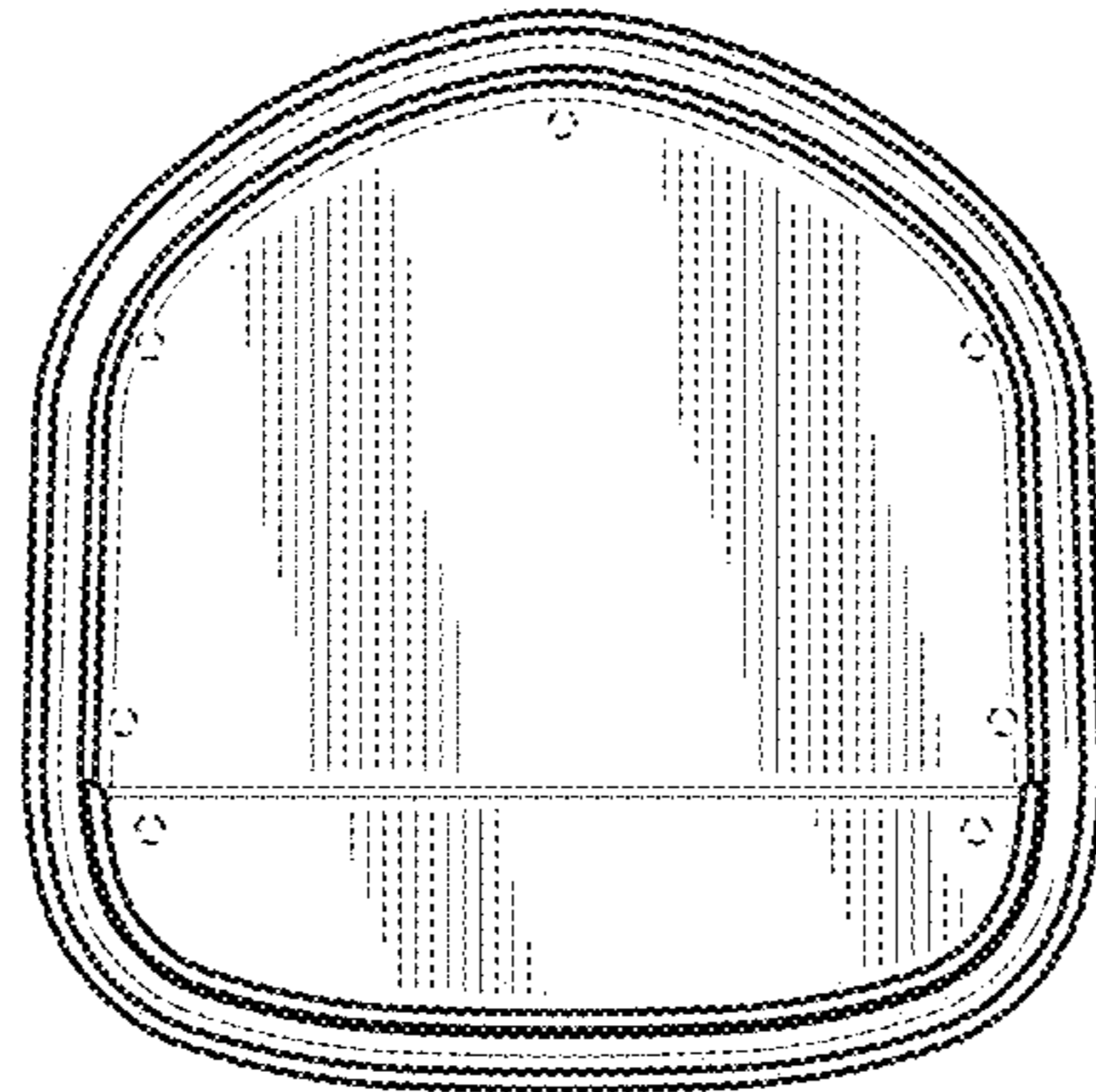


FIG. 2

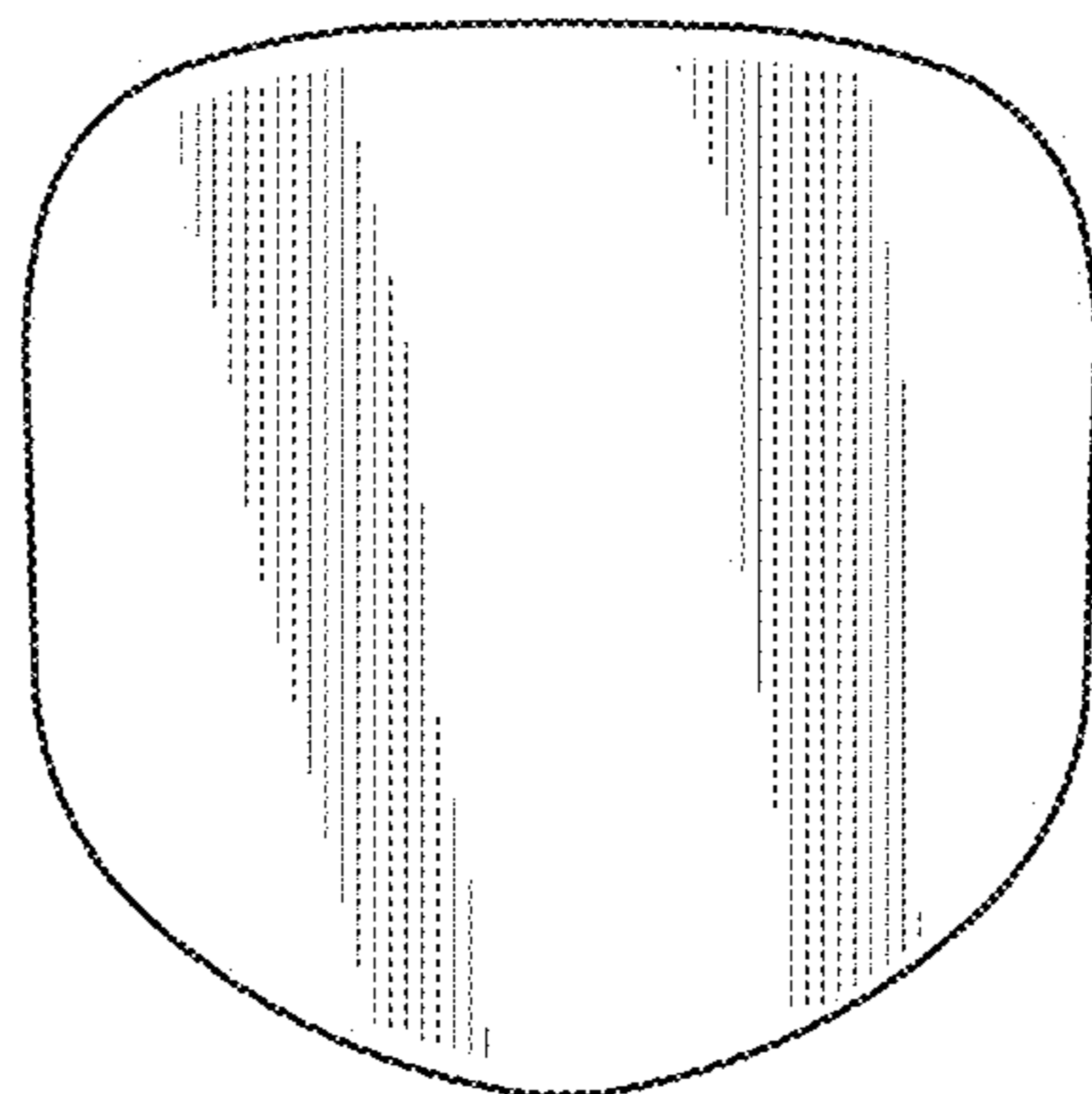


FIG. 3

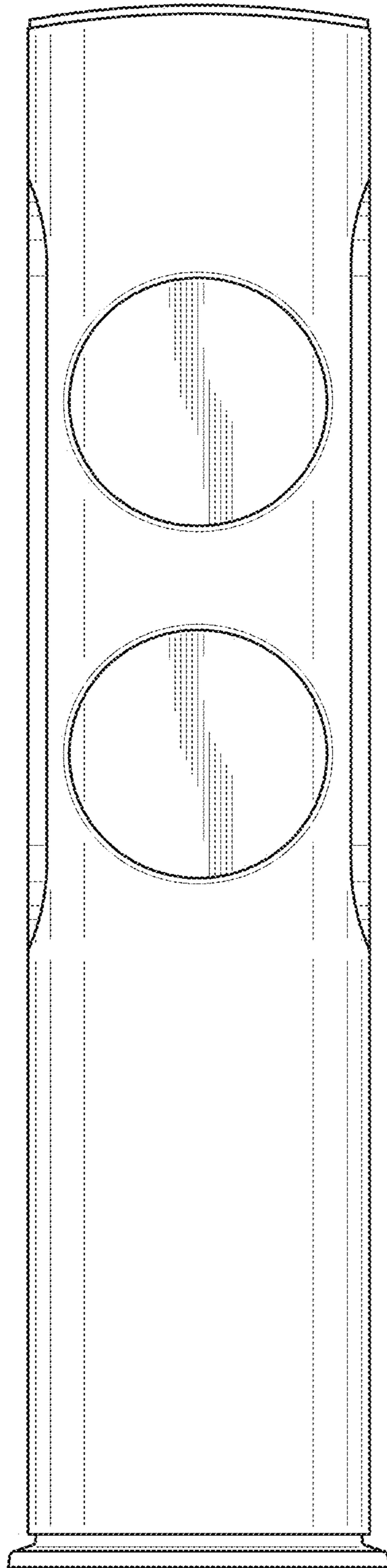


FIG. 4

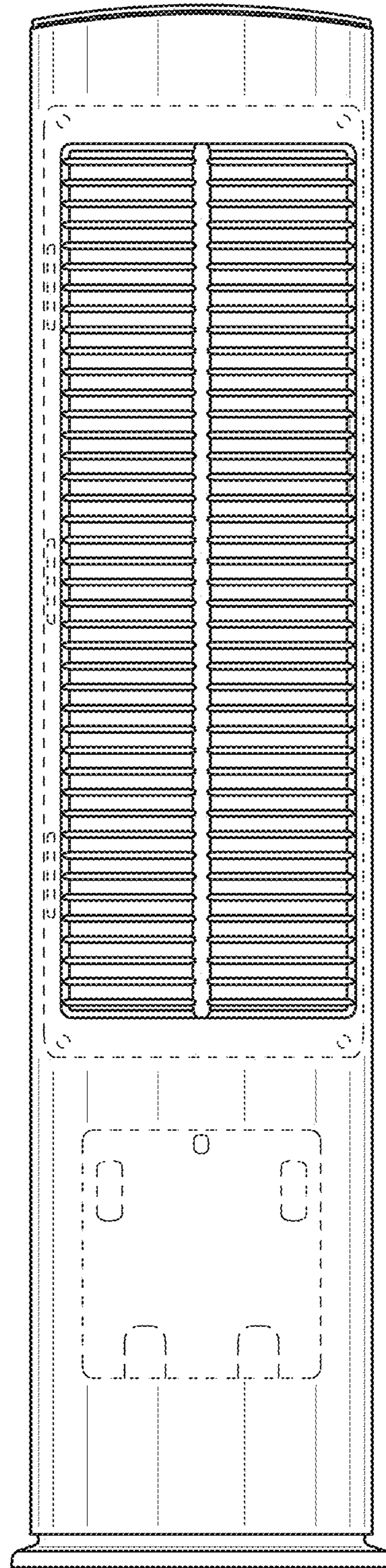


FIG. 5

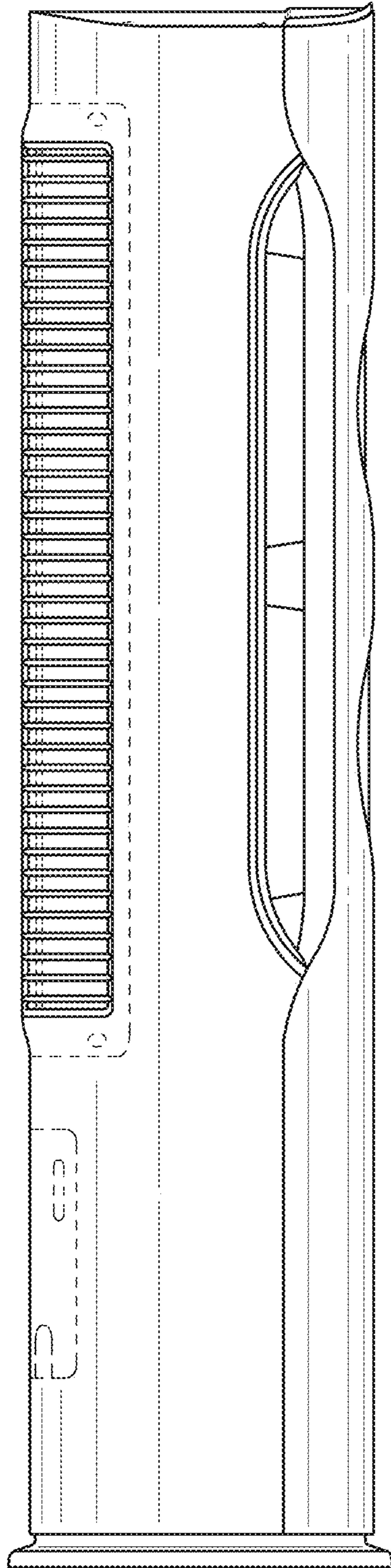


FIG. 6

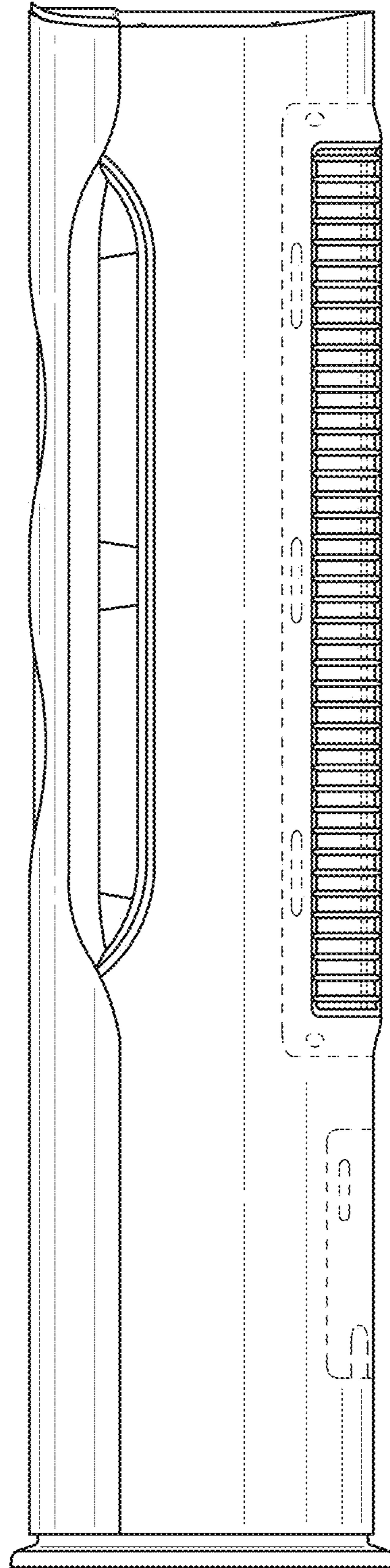


FIG. 7

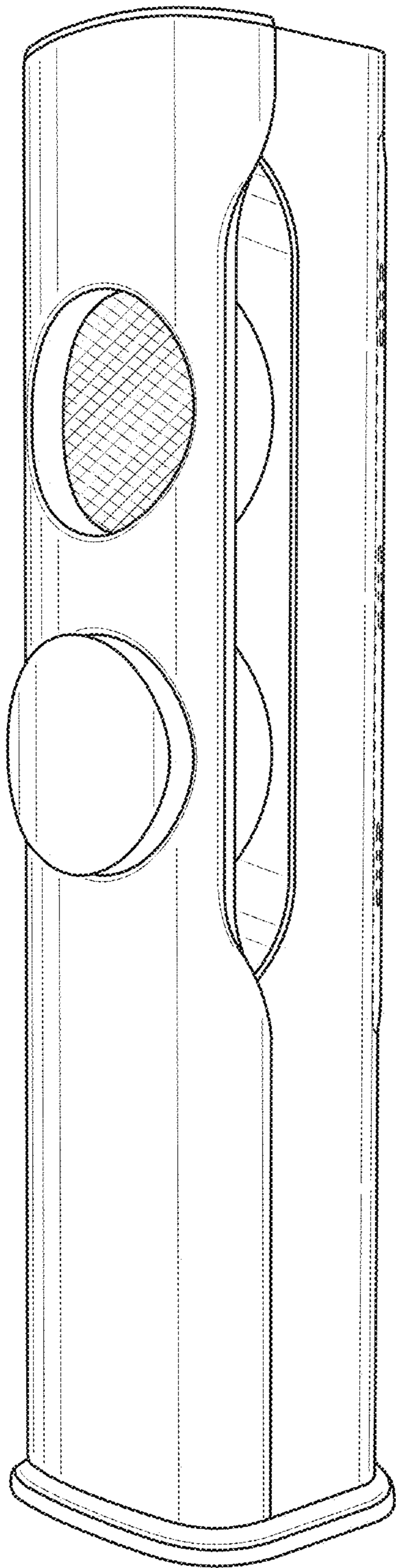


FIG. 8

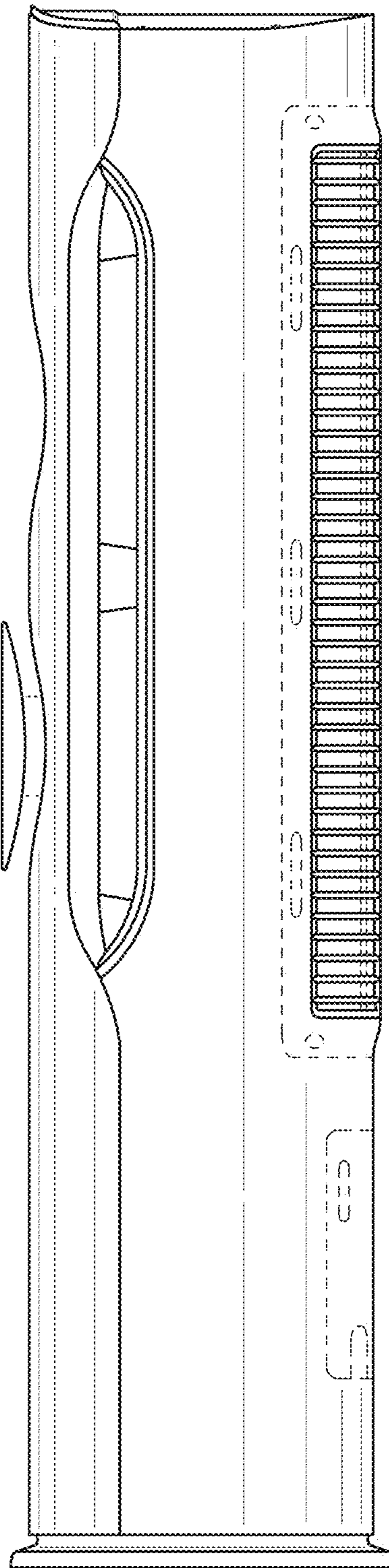


FIG. 9