



US00D904589S

(12) **United States Design Patent** (10) **Patent No.:** **US D904,589 S**  
**Oohigashi et al.** (45) **Date of Patent:** **\*\* Dec. 8, 2020**

(54) **HEAT EXCHANGER FOR WATER HEATER**

(71) Applicant: **NORITZ CORPORATION**, Hyogo (JP)

(72) Inventors: **Takeshi Oohigashi**, Hyogo (JP); **Masaki Kondo**, Hyogo (JP); **Norihide Wada**, Hyogo (JP)

(73) Assignee: **NORITZ CORPORATION**, Hyogo (JP)

(\*\*) Term: **15 Years**

(21) Appl. No.: **29/702,758**

(22) Filed: **Aug. 22, 2019**

(51) **LOC (12) Cl.** ..... **23-03**

(52) **U.S. Cl.**  
USPC ..... **D23/323**

(58) **Field of Classification Search**  
USPC ..... D23/314, 318, 319, 320, 321, 322, 323  
CPC ..... F23D 14/586; F24H 1/145; F24H 8/006;  
F24H 1/40; F24H 8/00; F24H 1/41; F24H  
1/445; F23L 17/005; F23J 15/06; F28D  
1/05316; F28F 1/325  
See application file for complete search history.

(56) **References Cited**

**U.S. PATENT DOCUMENTS**

- D831,805 S \* 10/2018 Chiang ..... D23/329
- D832,413 S \* 10/2018 Chiang ..... D23/329
- 2011/0017433 A1\* 1/2011 Feberwee ..... F24H 8/00  
165/157
- 2014/0190425 A1\* 7/2014 Oohigashi ..... F28F 1/325  
122/18.4
- 2015/0176861 A1\* 6/2015 Karaki ..... F24H 1/43  
122/18.4
- 2017/0059205 A1\* 3/2017 Kim ..... F24H 8/00
- 2017/0299274 A1\* 10/2017 Cho ..... F28D 9/0093
- 2017/0321970 A1\* 11/2017 Choi ..... F28F 9/0131
- 2017/0350618 A1\* 12/2017 Ojiro ..... F24H 1/145

- 2018/0087805 A1\* 3/2018 Ooshita ..... F28F 9/00
- 2018/0306529 A1\* 10/2018 Kasamatsu ..... F28D 1/0477
- 2019/0186784 A1\* 6/2019 Ono ..... F24H 9/02
- 2019/0186785 A1\* 6/2019 Ono ..... F23D 14/02
- 2019/0195563 A1\* 6/2019 Ohigashi ..... F24H 1/30

**FOREIGN PATENT DOCUMENTS**

- EP 2420756 A1 \* 2/2012 ..... F24H 8/006
- JP 60144556 A \* 7/1985 ..... F24H 1/145
- JP 2017211115 A \* 11/2017 ..... B01F 5/0617

**OTHER PUBLICATIONS**

Document with design patents from Orbit. KR—300863123.0000 Sensible heat exchanger Nov. 22, 2019, KR—300859556.0000 Latent heat exchangers Jun. 20, 2016, KR—300849333.0000 Heat exchanger for boilers Apr. 14, 2016, KR300779296.0000 Heat exchanger for boilers Jan. 9, 2015 (Year: 2015).\*

\* cited by examiner

*Primary Examiner* — Ania Aman

(74) *Attorney, Agent, or Firm* — JCIPRNET

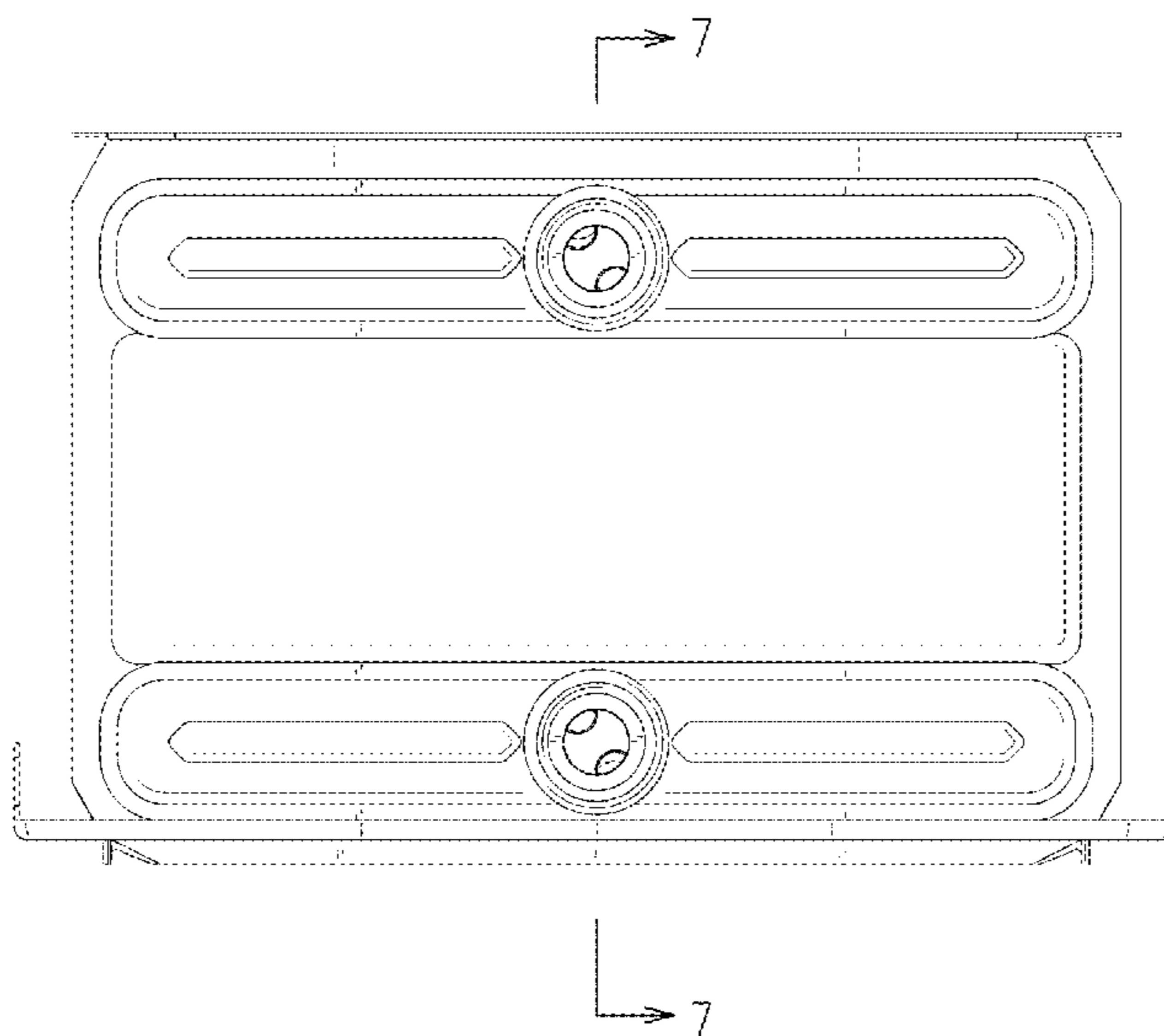
(57) **CLAIM**

The ornamental design for a heat exchanger for water heater, as shown and described.

**DESCRIPTION**

FIG. 1 is a front view of a heat exchanger for water heater showing our new design;  
FIG. 2 is a rear view thereof;  
FIG. 3 is a left side view thereof;  
FIG. 4 is a right side view thereof;  
FIG. 5 is a top view thereof;  
FIG. 6 is a bottom view thereof;  
FIG. 7 is a cross-sectional view taken along line 7-7 in FIG. 1; and,  
FIG. 8 is a cross-sectional view taken along line 8-8 in FIG. 3.

**1 Claim, 8 Drawing Sheets**



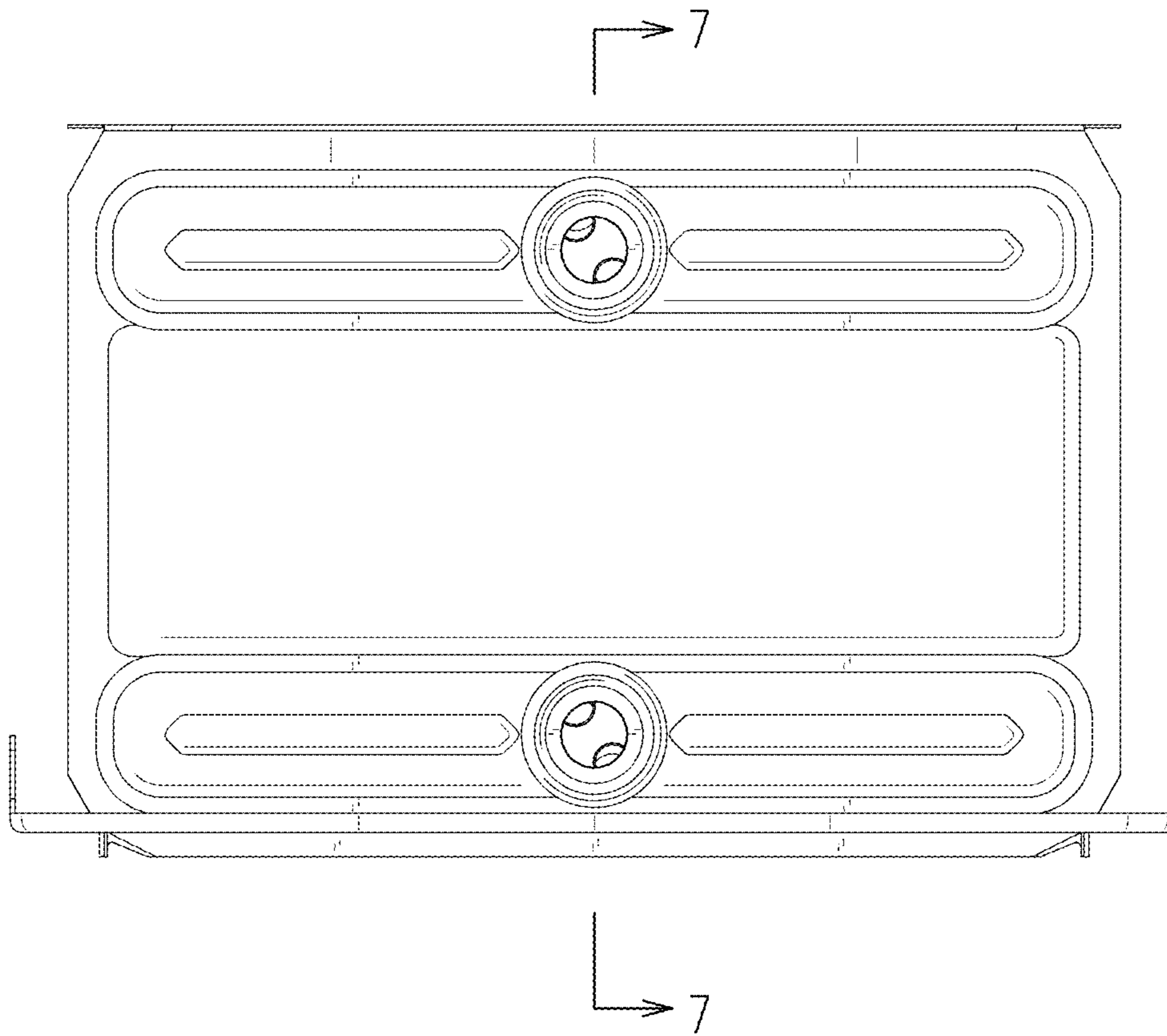


FIG. 1

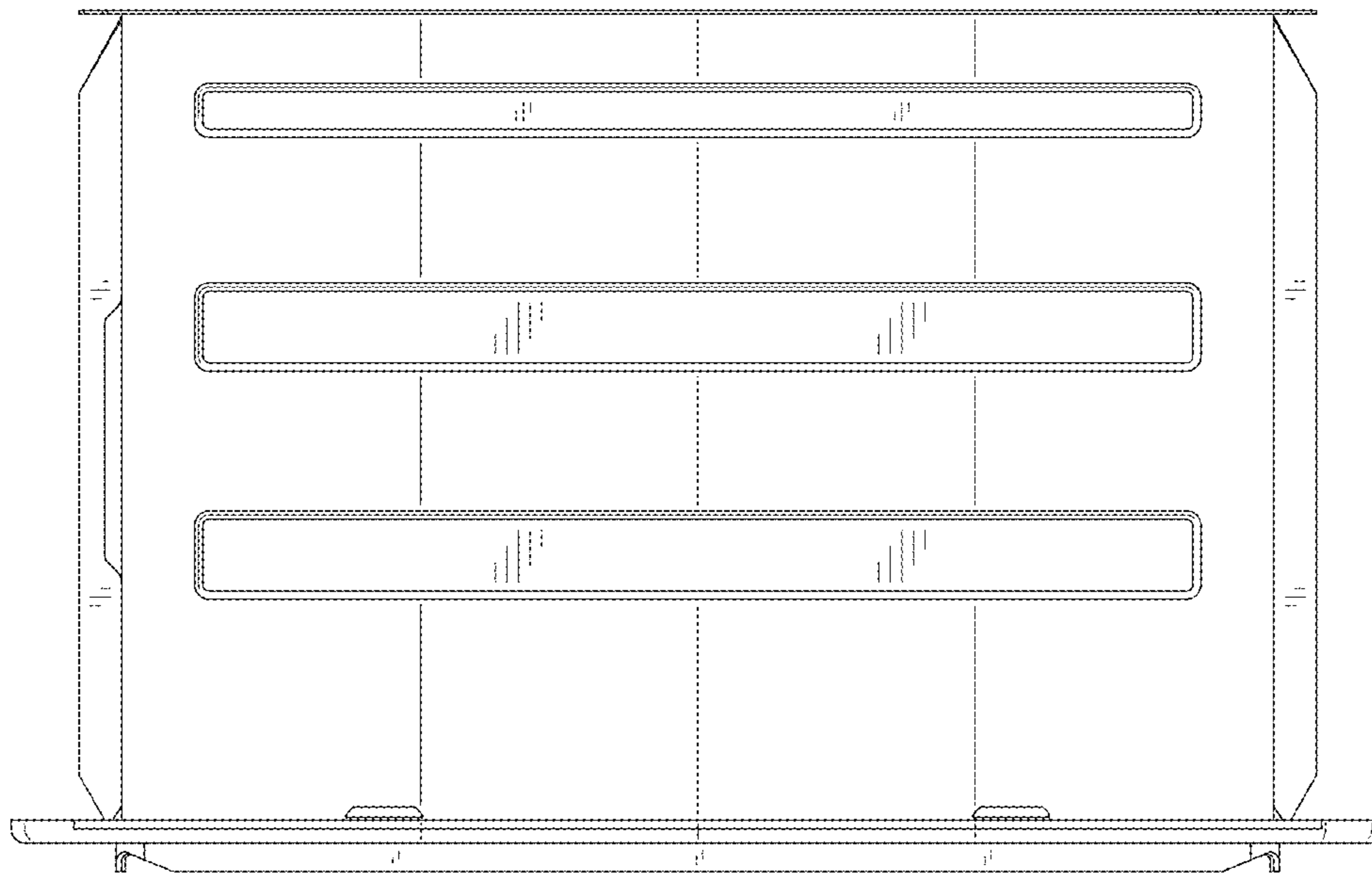


FIG. 2

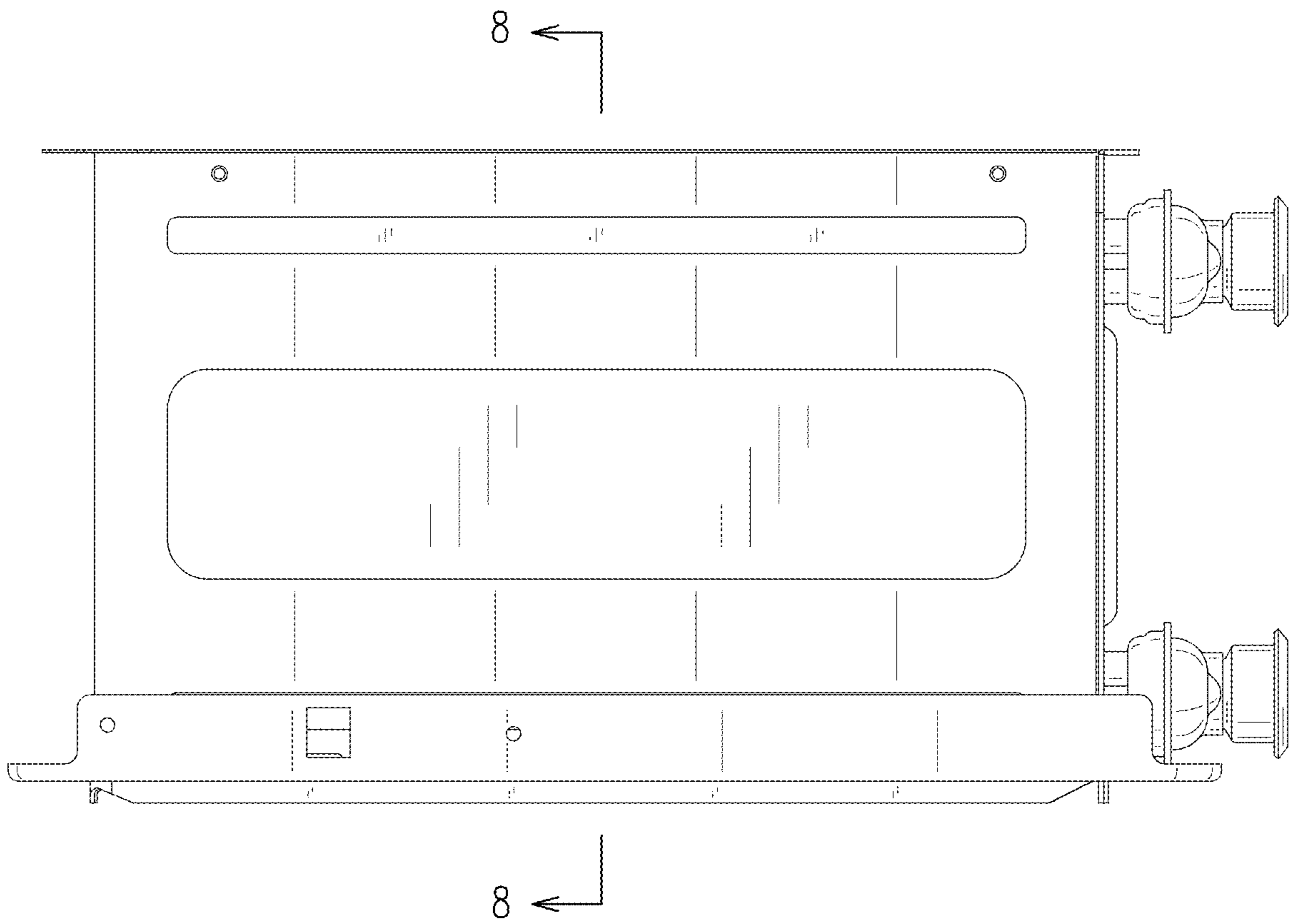


FIG. 3

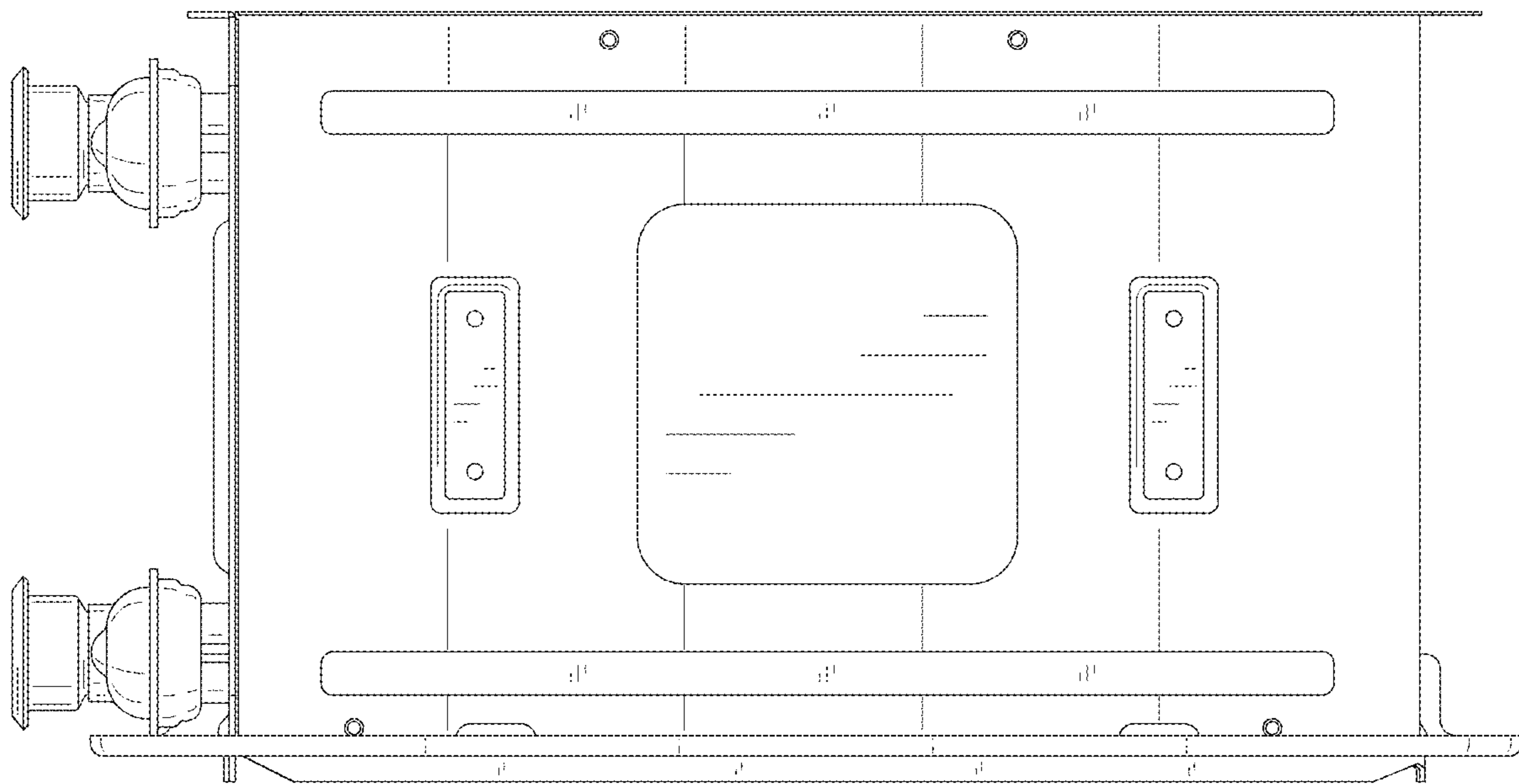


FIG. 4

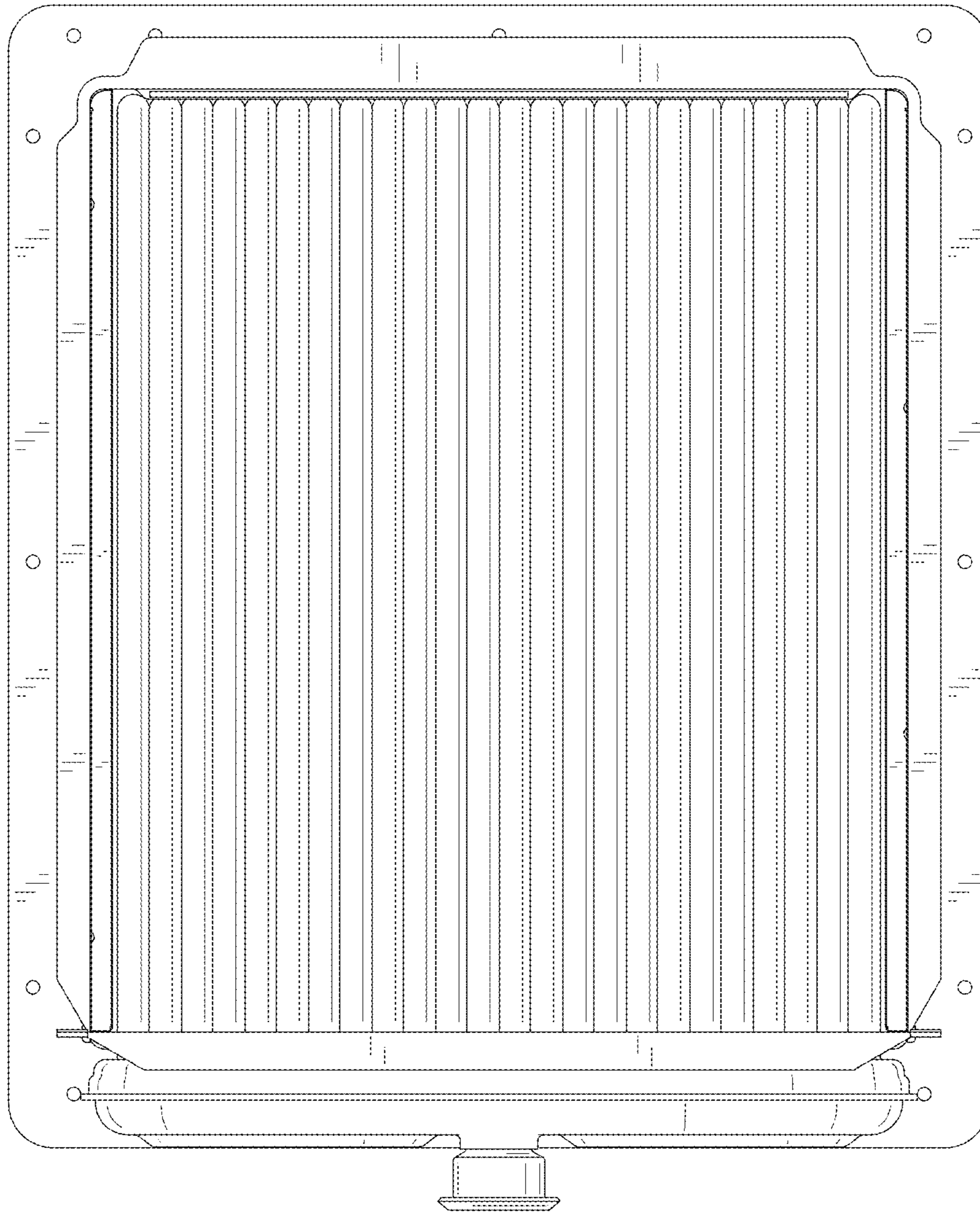


FIG. 5

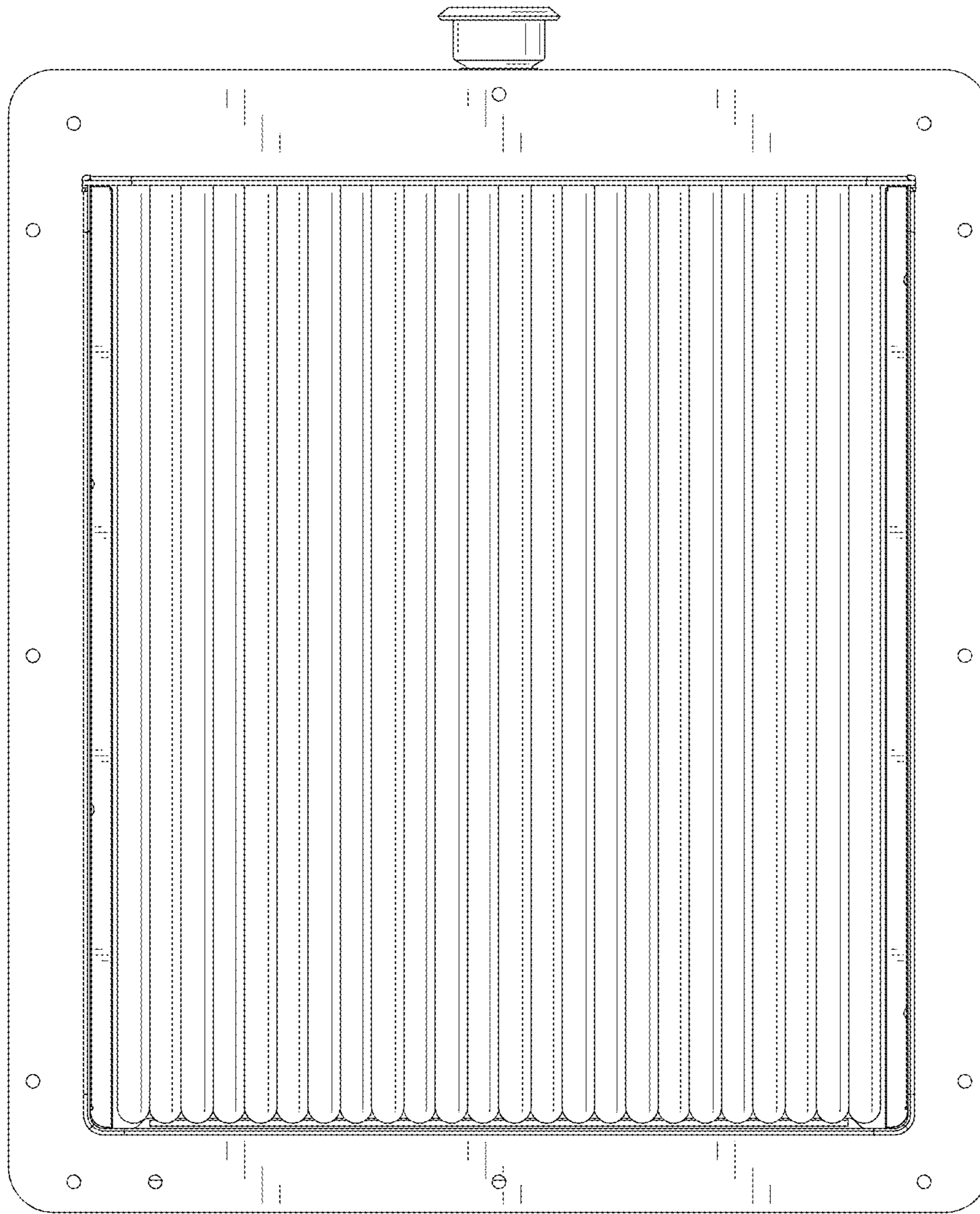


FIG. 6

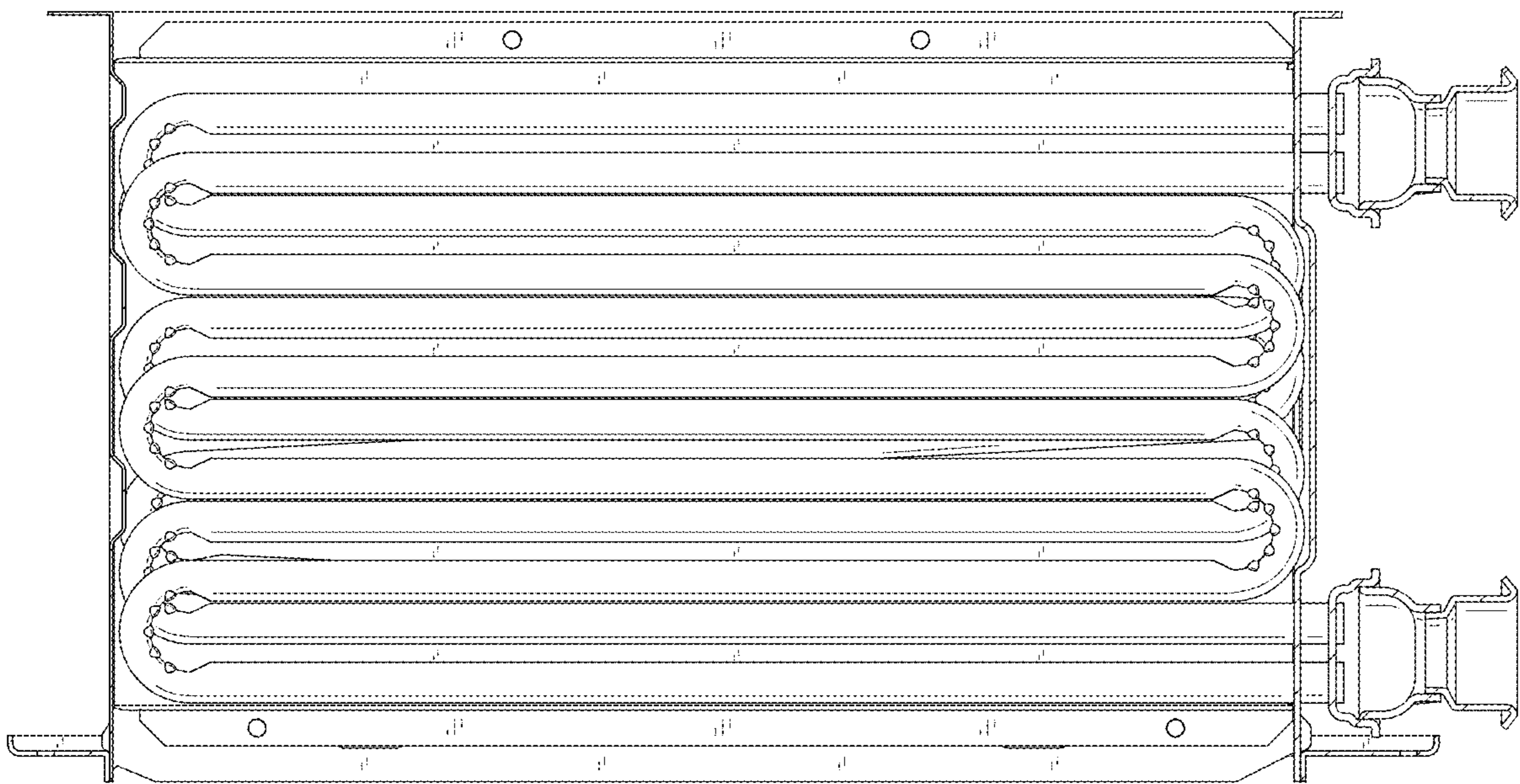


FIG. 7



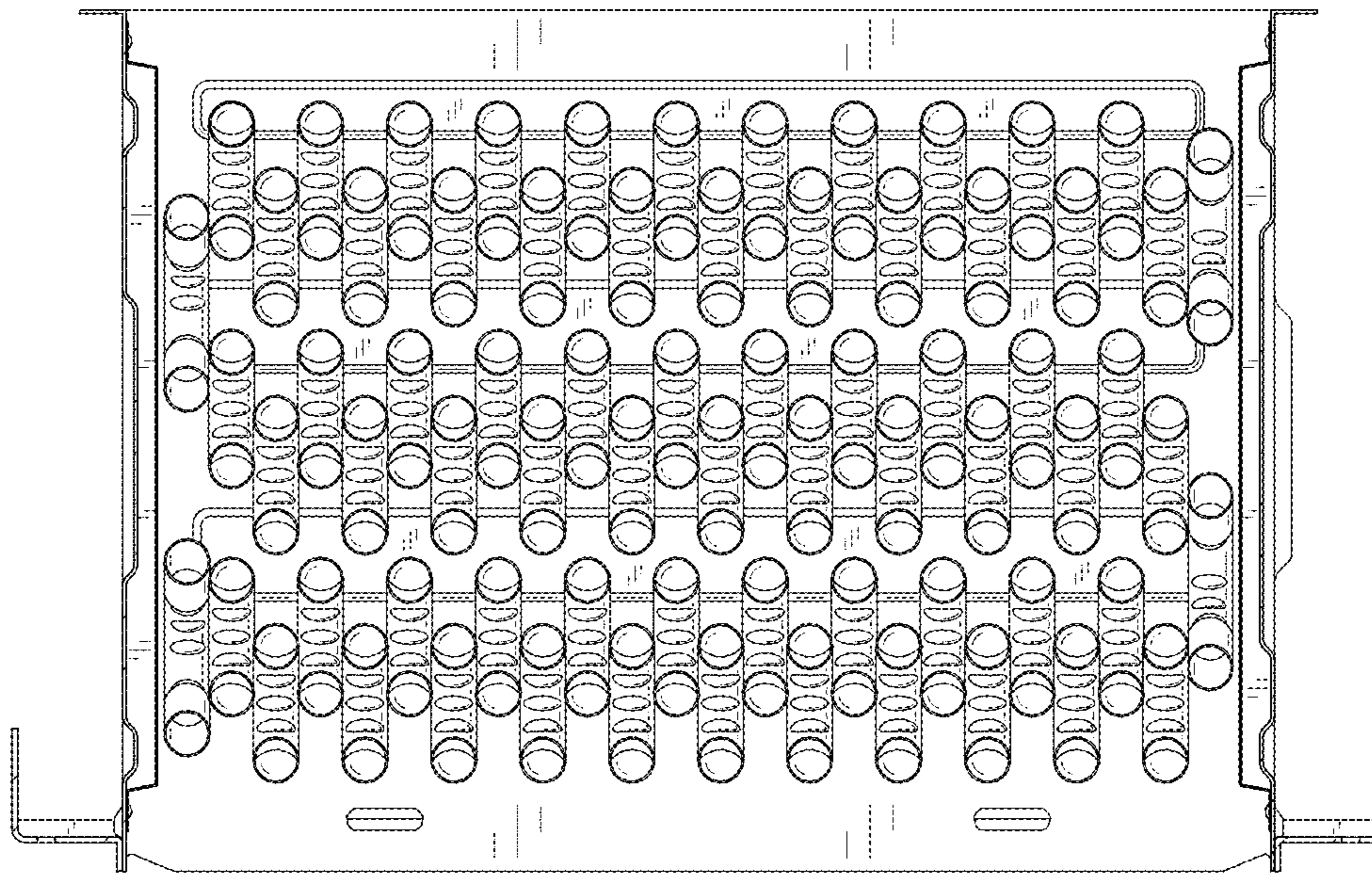


FIG. 8