



US00D904587S

(12) **United States Design Patent** (10) **Patent No.:** **US D904,587 S**
Oohigashi et al. (45) **Date of Patent:** **** Dec. 8, 2020**

(54) **HEAT EXCHANGER FOR WATER HEATER**

(71) Applicant: **NORITZ CORPORATION**, Hyogo (JP)

(72) Inventors: **Takeshi Oohigashi**, Hyogo (JP);
Masaki Kondo, Hyogo (JP); **Norihide Wada**, Hyogo (JP)

(73) Assignee: **NORITZ CORPORATION**, Hyogo (JP)

(**) Term: **15 Years**

(21) Appl. No.: **29/702,755**

(22) Filed: **Aug. 22, 2019**

(51) **LOC (12) Cl.** **23-03**

(52) **U.S. Cl.**
USPC **D23/323**

(58) **Field of Classification Search**
USPC D23/314, 318, 319, 320, 321, 322, 323
CPC F23D 14/586; F24H 1/145; F24H 8/006;
F24H 1/40; F24H 8/00; F24H 1/41; F24H
1/445; F23L 17/005; F23J 15/06; F28D
1/05316; F28F 1/325

See application file for complete search history.

(56) **References Cited**

U.S. PATENT DOCUMENTS

D831,805 S *	10/2018	Chiang	D23/329
D832,413 S *	10/2018	Chiang	D23/329
2011/0017433 A1 *	1/2011	Ferberwee	F24H 8/00 165/157
2014/0190425 A1 *	7/2014	Oohigashi	F28F 1/325 122/18.4
2015/0176861 A1 *	6/2015	Karaki	F24H 1/43 122/18.4
2017/0299274 A1 *	10/2017	Cho	F28D 9/0093
2017/0321970 A1 *	11/2017	Choi	F28F 9/0131
2017/0350618 A1 *	12/2017	Ojiro	F24H 1/145

2018/0087805 A1 *	3/2018	Ooshita	F28F 9/00
2018/0306529 A1 *	10/2018	Kasamatsu	F28D 1/0477
2019/0186784 A1 *	6/2019	Ono	F24H 9/02

(Continued)

FOREIGN PATENT DOCUMENTS

EP	2420756 A1 *	2/2012	F24H 8/006
JP	60144556 A *	7/1985	F24H 1/145
JP	2017211115 A *	11/2017	B01F 5/0617

OTHER PUBLICATIONS

Document with design patents from Orbit. KR--300863123.0000 Sensible heat exchanger Nov. 22, 2019 KR-300859556.0000 Latent heat exchangers Jun. 20, 2016 KR-300849333.0000 Heat exchanger for boilers Apr. 14, 2016, KR300779296.0000 Heat exchanger for boilers Jan. 9, 2015 (Year: 2015).*

Primary Examiner — Ania Aman

(74) *Attorney, Agent, or Firm* — JCIPRNET

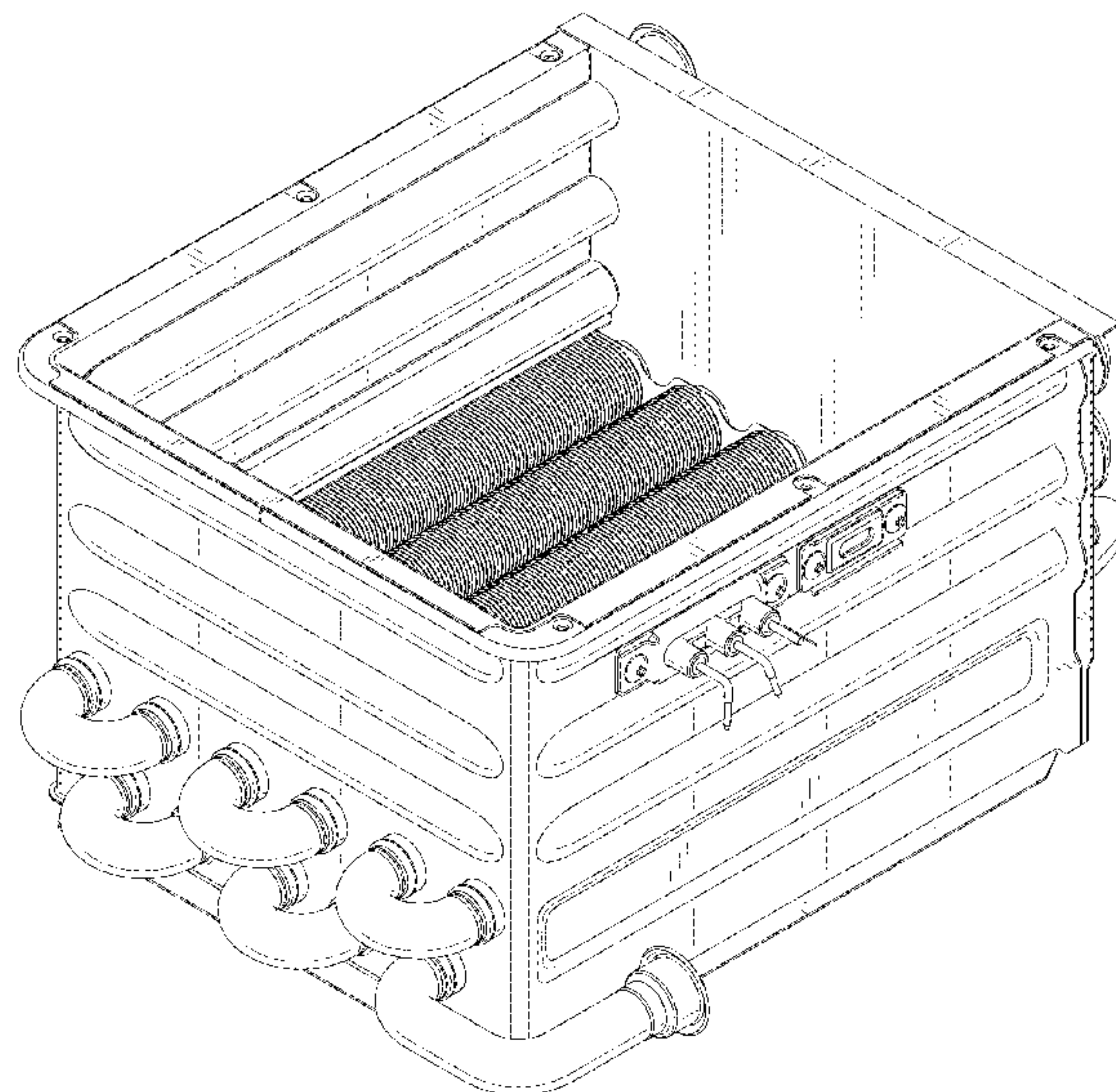
(57) **CLAIM**

The ornamental design for a heat exchanger for water heater, as shown and described.

DESCRIPTION

FIG. 1 is a perspective view of a heat exchanger for water heater showing our new design;
FIG. 2 is another perspective view thereof;
FIG. 3 is a front view thereof;
FIG. 4 is a rear view thereof;
FIG. 5 is a left side view thereof;
FIG. 6 is a right side view thereof;
FIG. 7 is a top view thereof;
FIG. 8 is a bottom view thereof;
FIG. 9 is a cross-sectional view taken along line 9-9 in FIG. 3;
FIG. 10 is a cross-sectional view taken along line 10-10 in FIG. 6; and,
FIG. 11 is a cross-sectional view taken along line 11-11 in FIG. 3.

1 Claim, 11 Drawing Sheets



(56)

References Cited

U.S. PATENT DOCUMENTS

2019/0186785 A1* 6/2019 Ono F23D 14/02
2019/0195563 A1* 6/2019 Ohigashi F24H 1/30

* cited by examiner

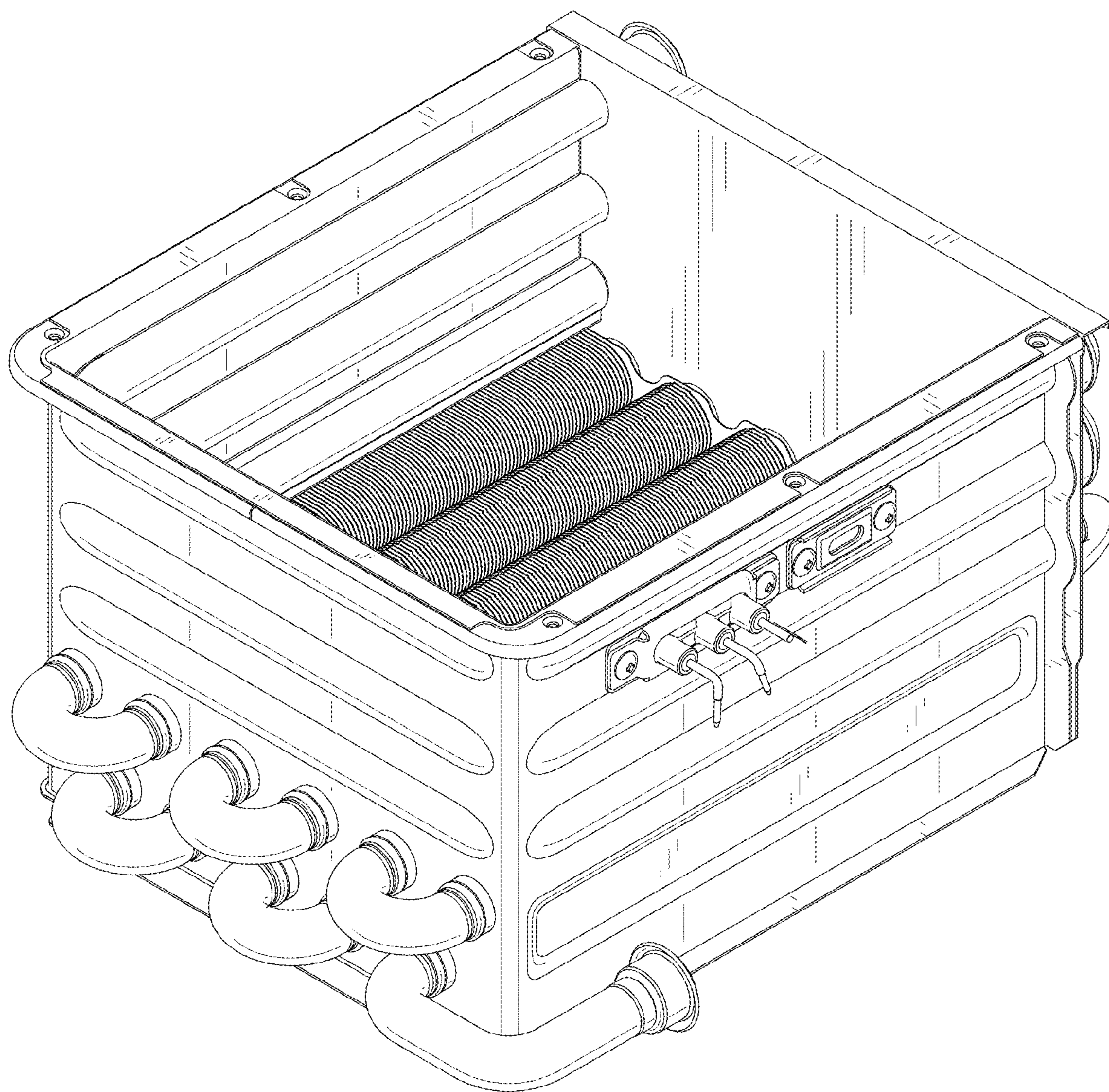


FIG. 1

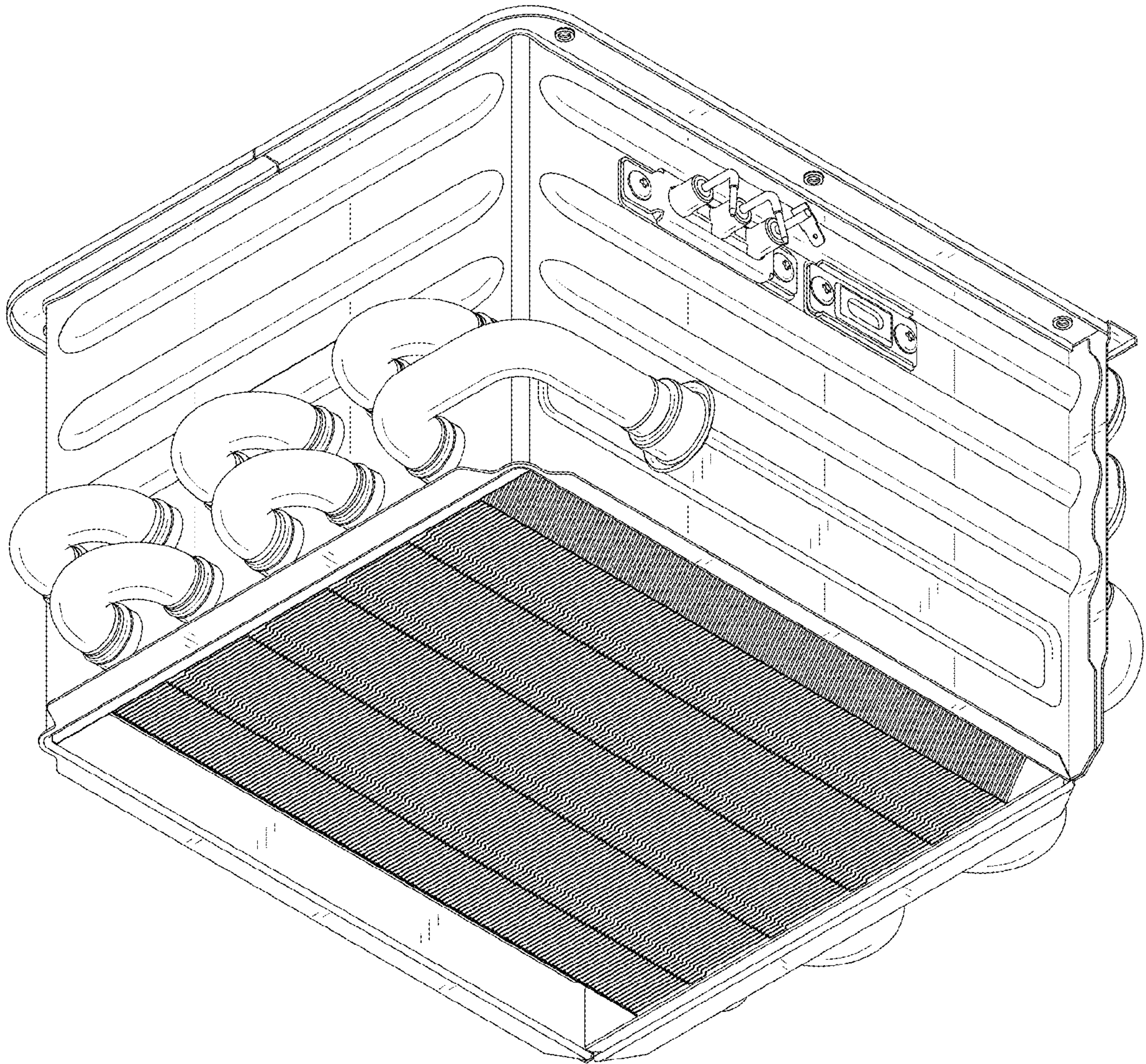


FIG. 2

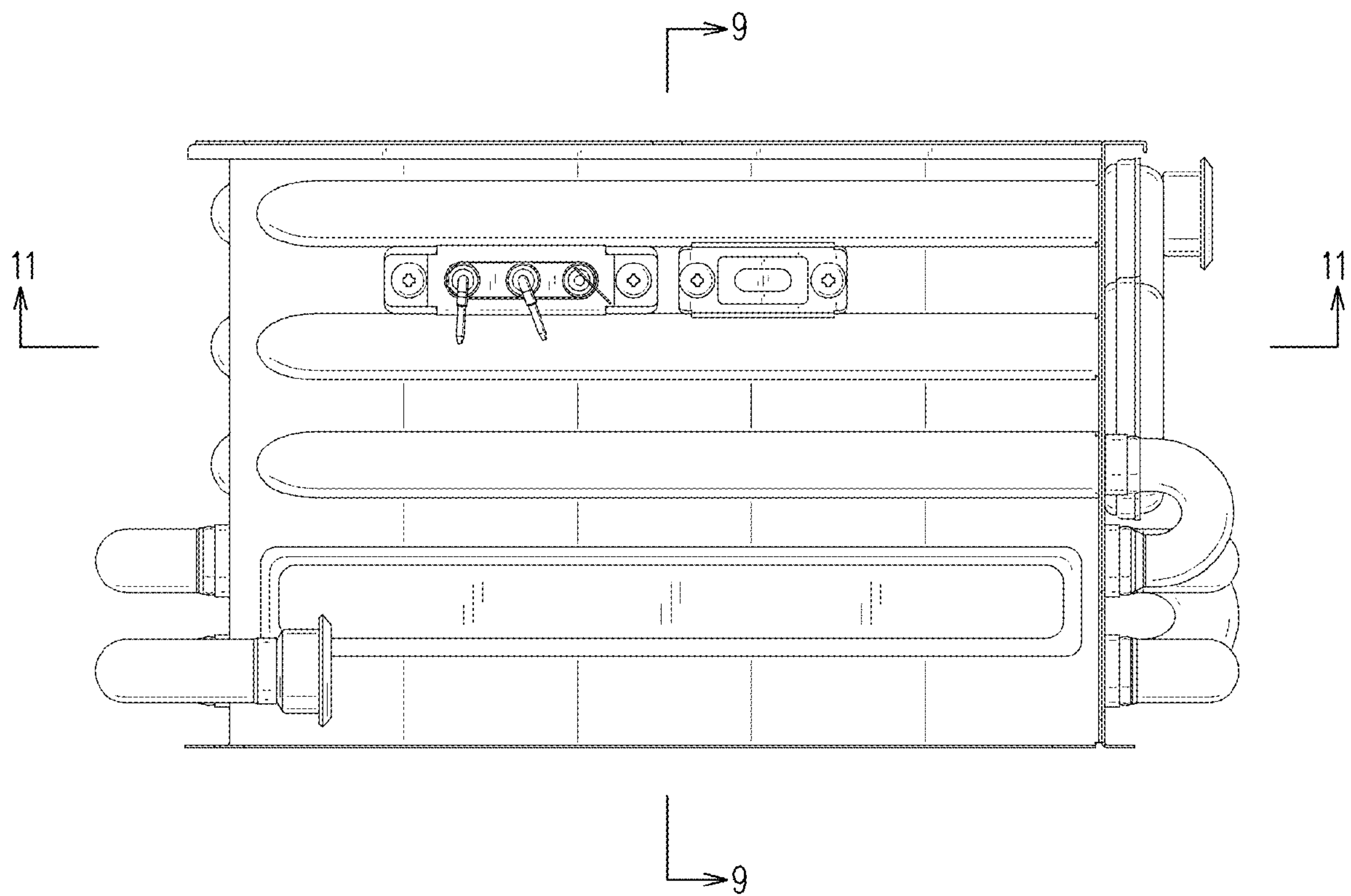


FIG. 3

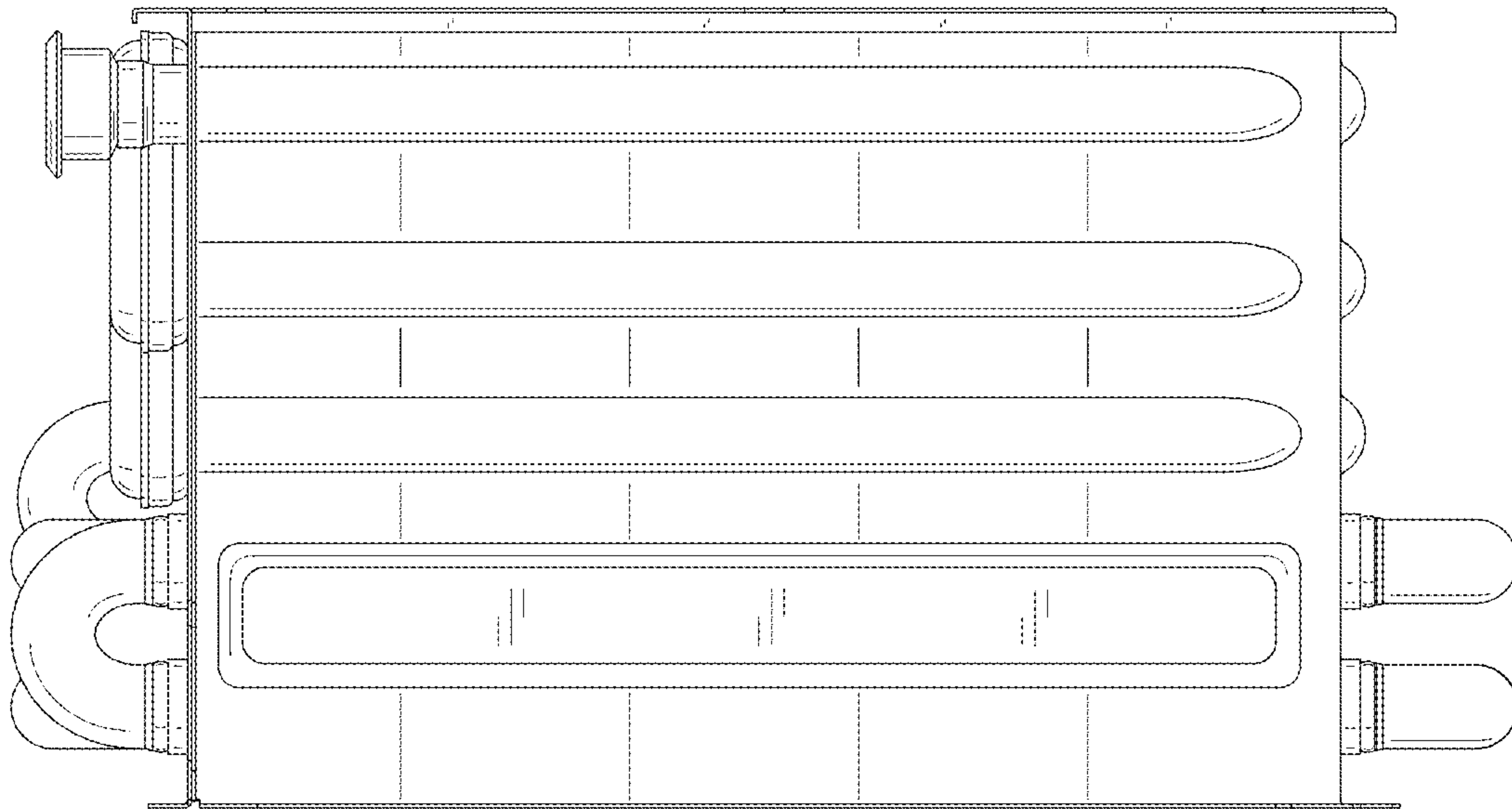


FIG. 4

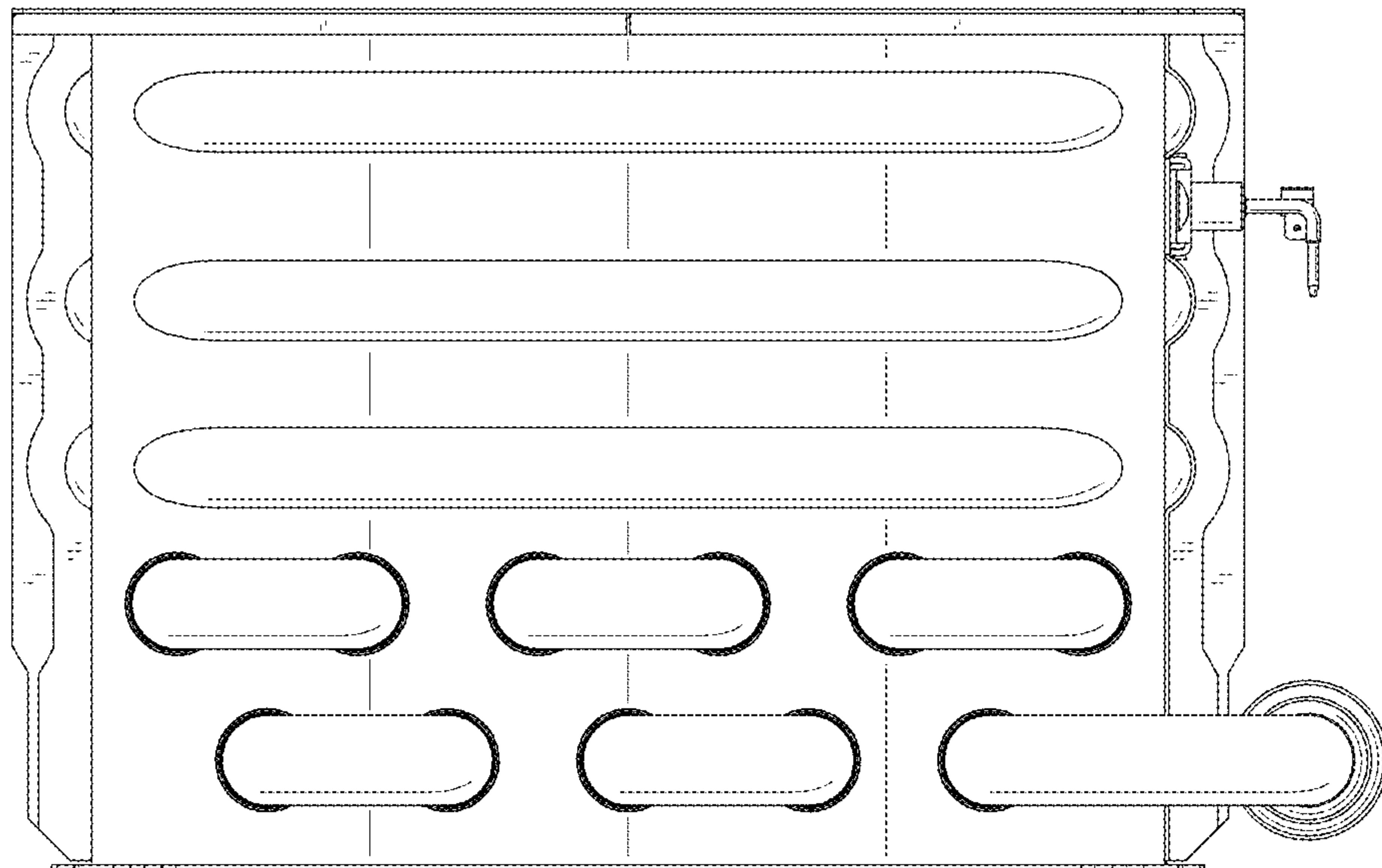


FIG. 5

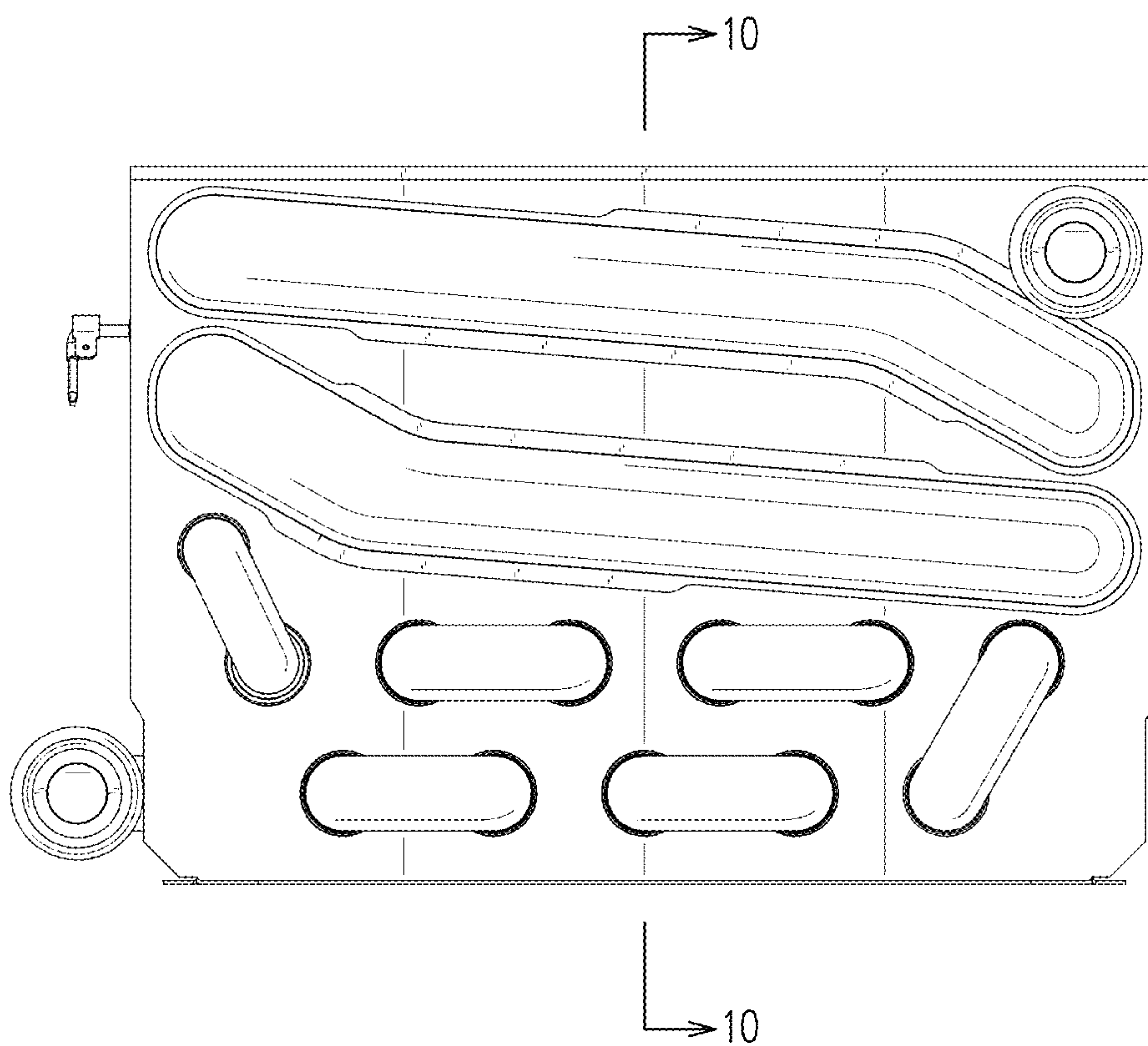


FIG. 6

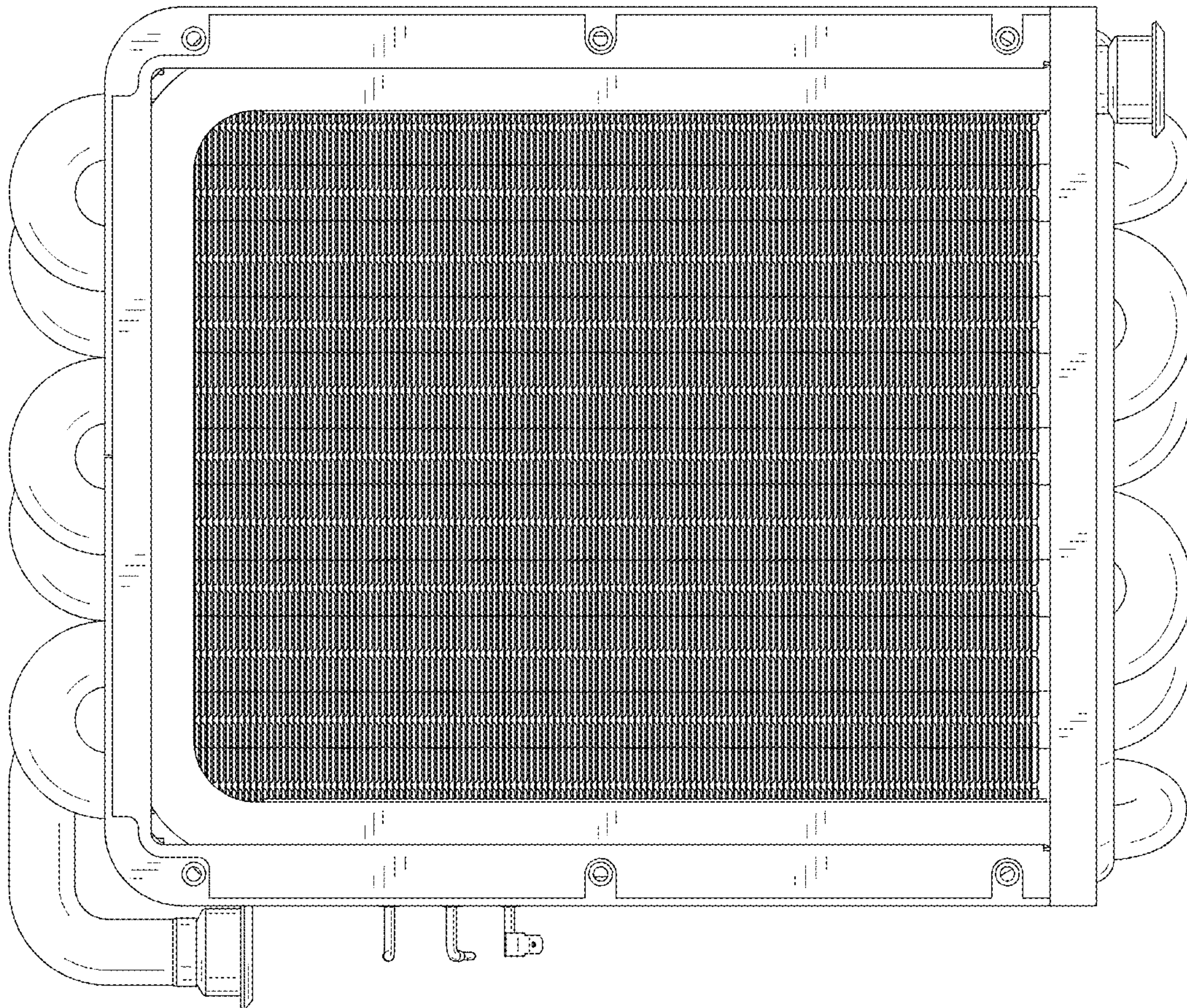


FIG. 7

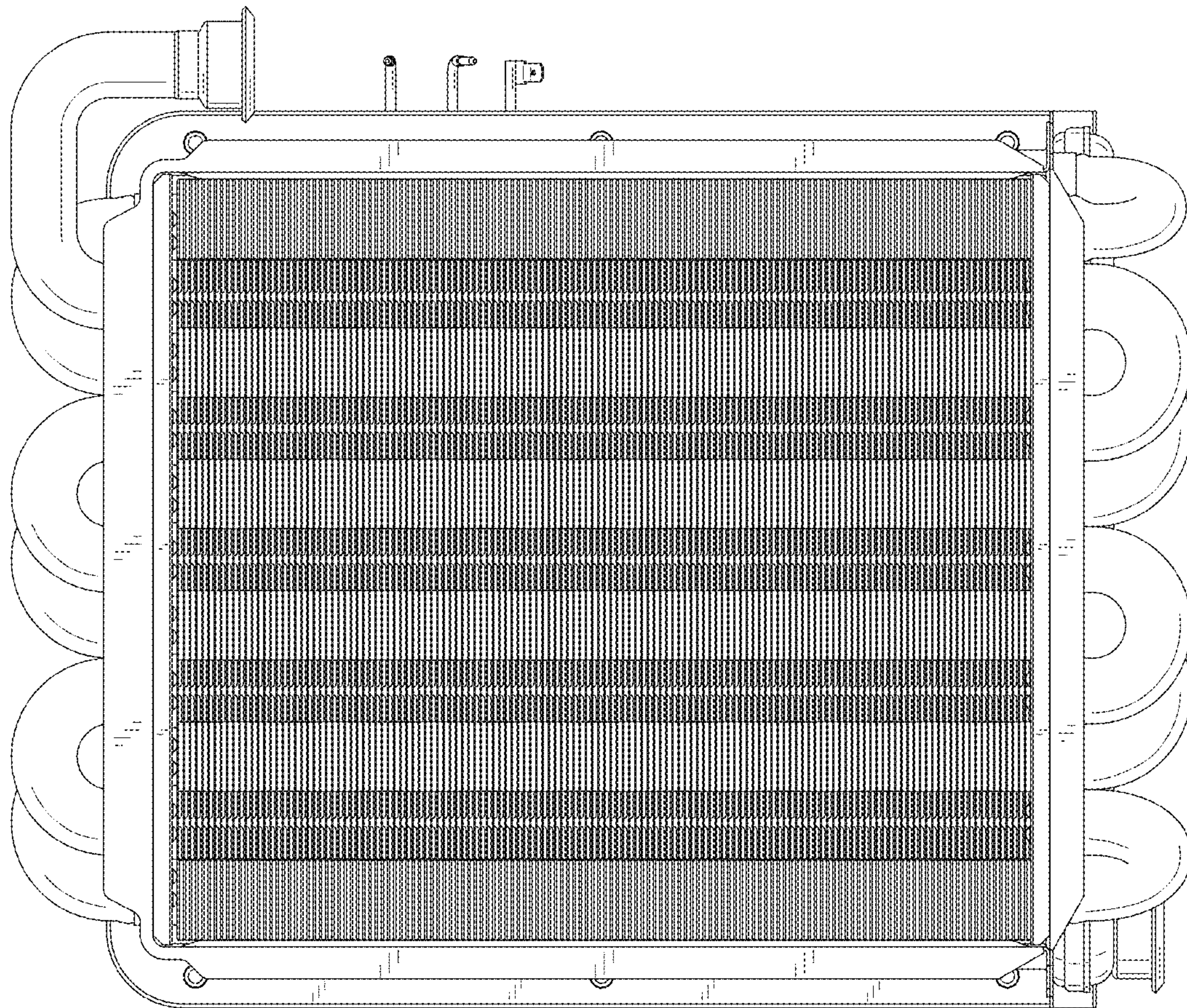


FIG. 8

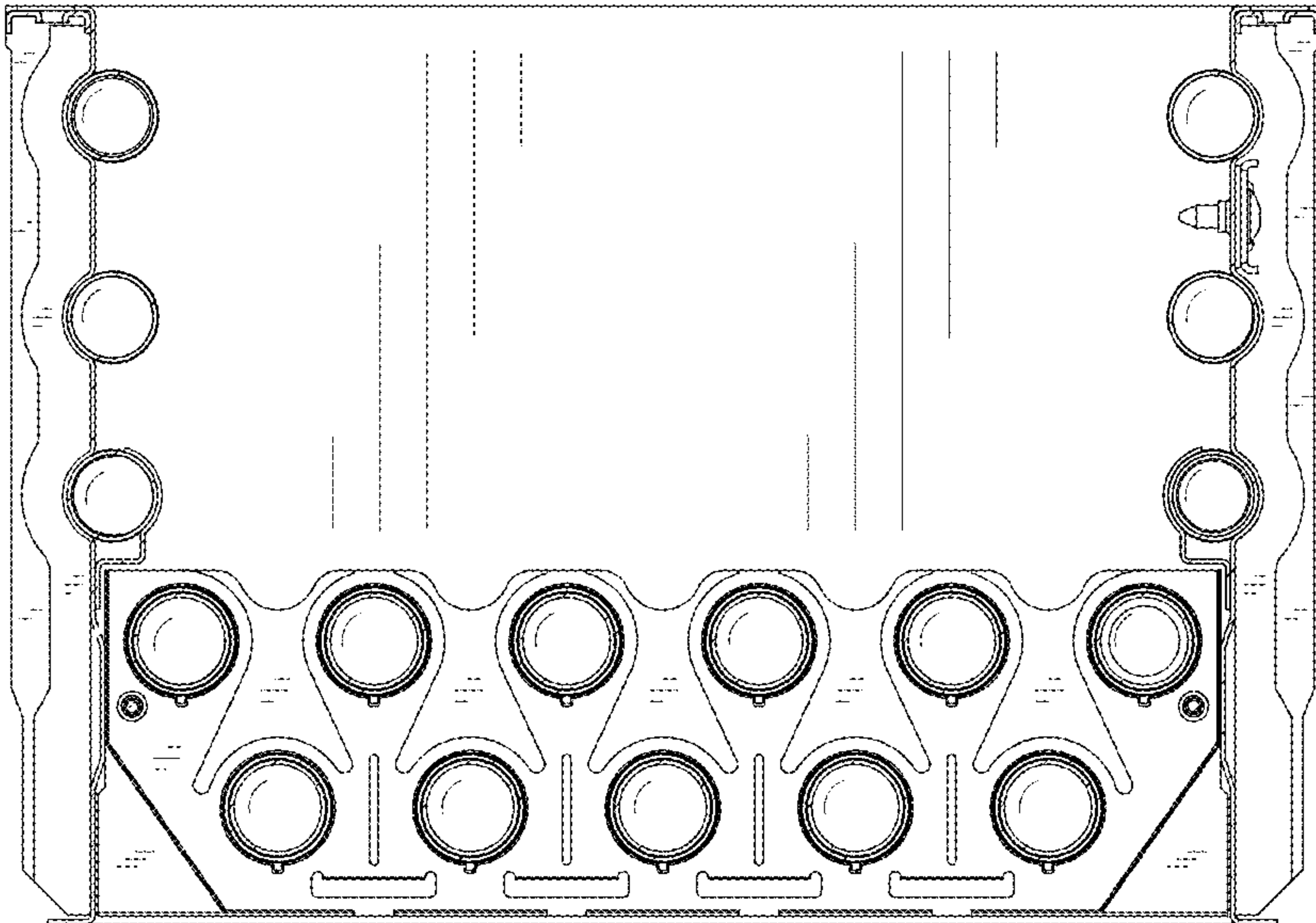


FIG. 9

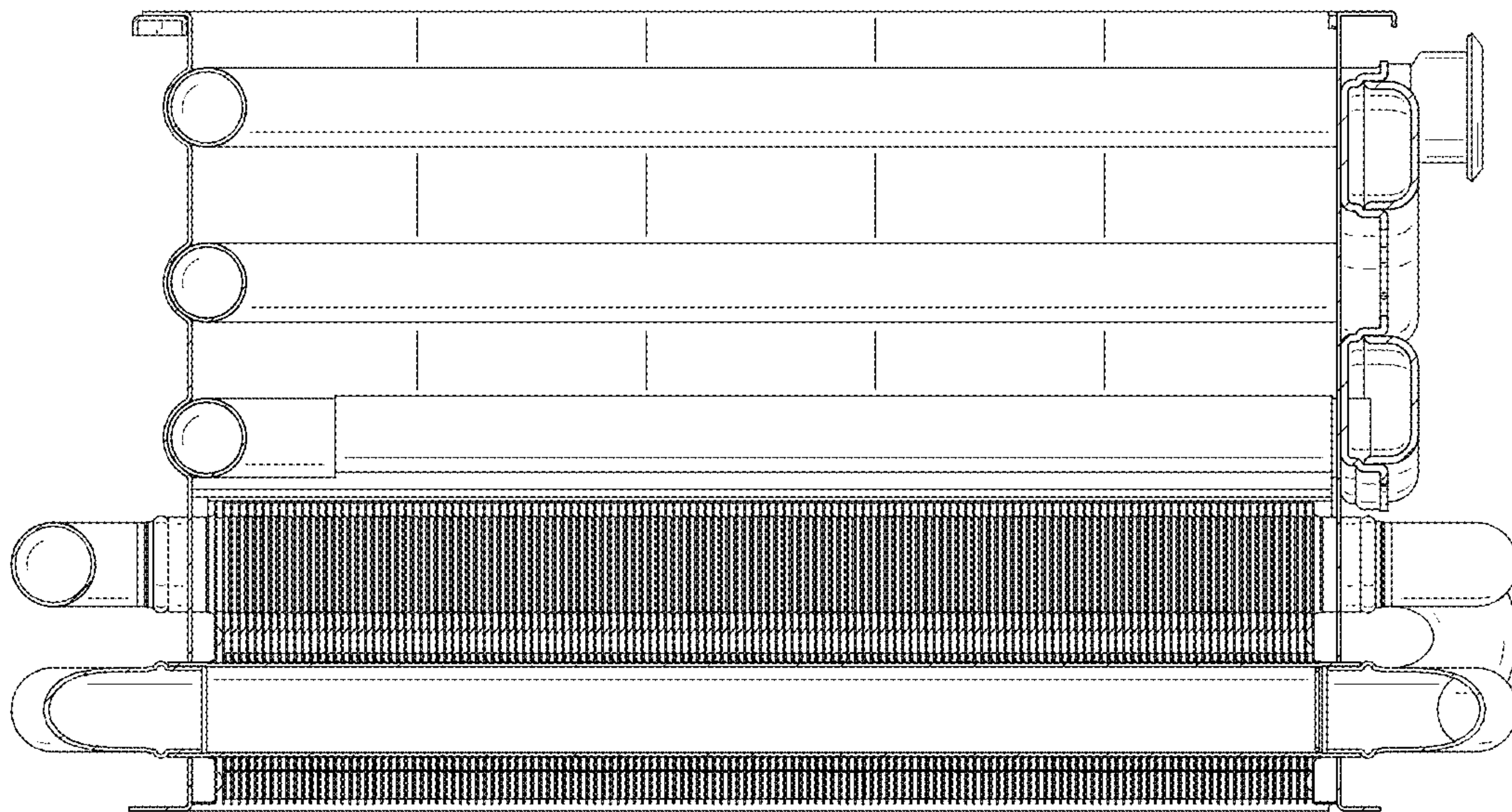


FIG. 10

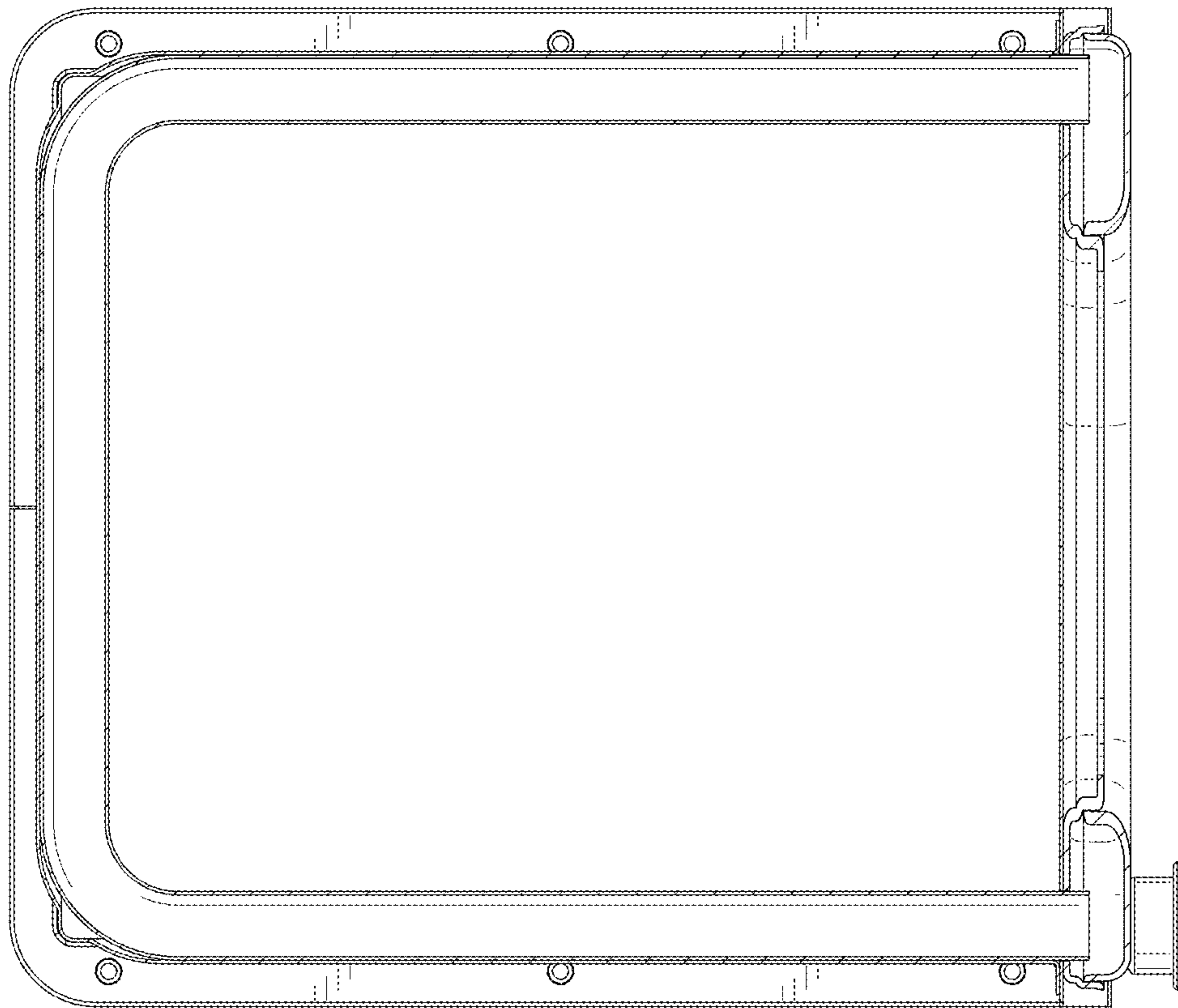


FIG. 11