



US00D904586S

(12) **United States Design Patent** (10) **Patent No.:** **US D904,586 S**
Magone (45) **Date of Patent:** **** Dec. 8, 2020**

(54) **SPLASH GUARD FOR A BATHTUB**

(71) Applicant: **Laimonis Magone**, Chicago, IL (US)

(72) Inventor: **Laimonis Magone**, Chicago, IL (US)

(**) Term: **15 Years**

(21) Appl. No.: **29/678,024**

(22) Filed: **Jan. 25, 2019**

(51) **LOC (12) Cl.** **23-02**

(52) **U.S. Cl.**
USPC **D23/307**

(58) **Field of Classification Search**
USPC D23/304, 307; D6/536, 525; D30/158
See application file for complete search history.

(56) **References Cited**

U.S. PATENT DOCUMENTS

3,955,789	A *	5/1976	Baumrind	A47K 17/00 248/311.3
4,473,911	A *	10/1984	Germain	A47K 3/001 4/559
4,525,882	A *	7/1985	Stenberg	A47K 3/004 108/137
4,888,835	A *	12/1989	Baumann	A47K 3/001 4/609
4,998,304	A *	3/1991	Sauter	A47K 3/34 4/559
D320,715	S *	10/1991	Magnin	D6/601
5,357,639	A *	10/1994	Zellner	A47K 3/122 4/579
D815,263	S *	4/2018	Pinkus	D23/315
2005/0076431	A1 *	4/2005	Reynolds	A47K 3/122 4/579
2017/0209004	A1 *	7/2017	Jackson	A47K 3/001
2017/0311764	A1 *	11/2017	Fine	A47K 3/286

OTHER PUBLICATIONS

Collapsible Water Retainer Shower Dam, Accessible Bathrooms Inc. https://www.accessiblebathroomsinc.com/store/Collapsible-Water-Retainer-Shower-Dam-p128178418?gclid=EAlalQobChMls4yF282x7AIVIMDICH2RJgpjEAKyEYABEglq-PD_BwE (Year: 2020).*

* cited by examiner

Primary Examiner — Robert A Delehanty

(74) *Attorney, Agent, or Firm* — Olson & Cepuritis, Ltd.

(57) **CLAIM**

The ornamental design for a splash guard for a bathtub, as shown and described.

DESCRIPTION

FIG. 1 is a perspective view of my new design showing a splash guard for a bathtub with the environment of use depicted in dotted lines and forming no part of the design thereof;

FIG. 2 is a perspective view of the splash guard of FIG. 1, the interrupted lines indicating that the length of the splash guard has been reduced for ease of illustration;

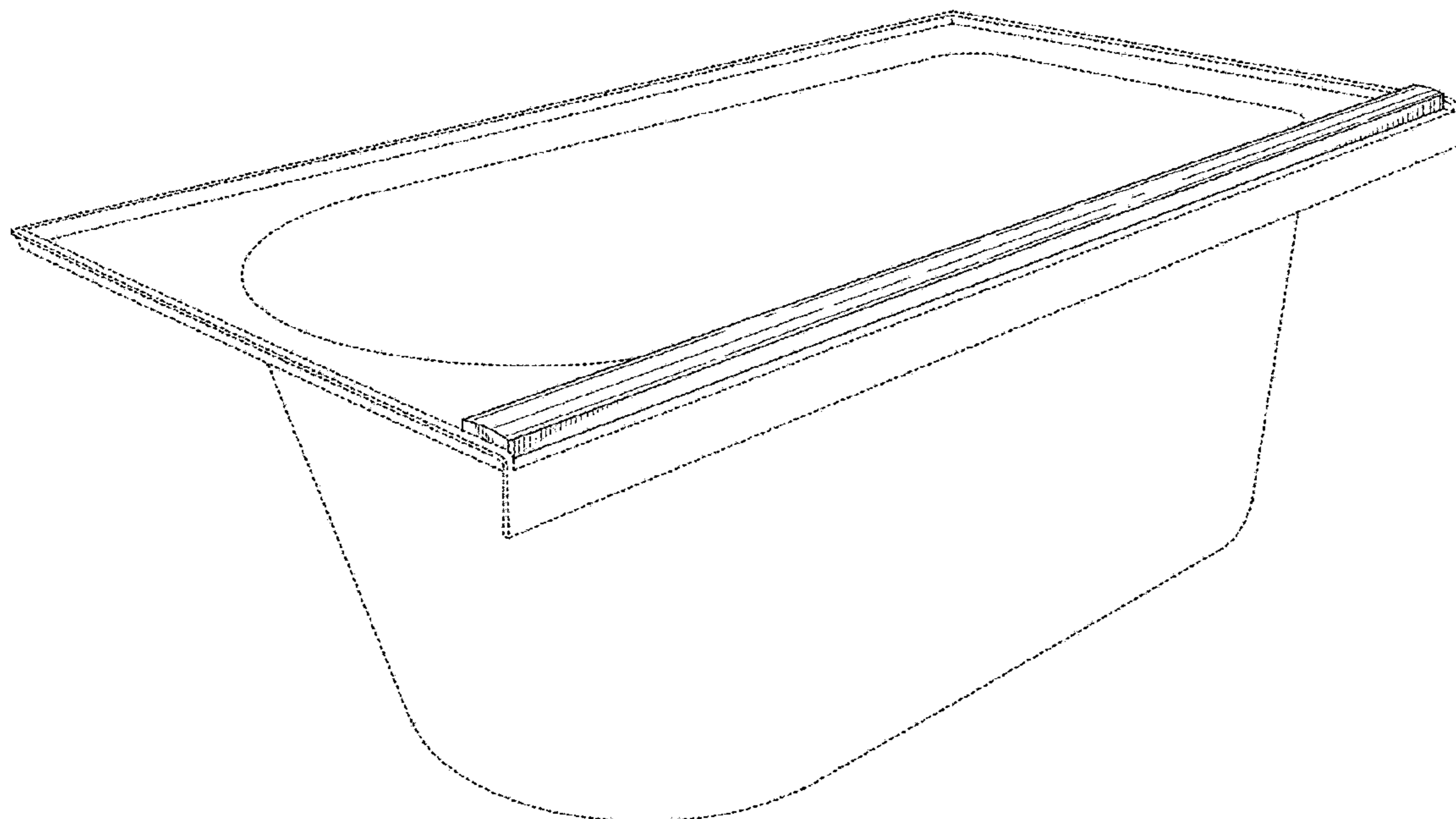
FIG. 3 is an end view of the splash guard of FIG. 1, the distal and proximal ends being mirror images of each other;

FIG. 4 is a front elevation of the splash guard of FIG. 1, the back elevation being a mirror image of the front, and the interrupted lines indicating that the length of the splash guard has been reduced for ease of illustration;

FIG. 5 is a top view of the splash guard of FIG. 1, the interrupted lines indicating that the length of the splash guard has been reduced for ease of illustration; and,

FIG. 6 is a bottom view of the splash guard of FIG. 1, the interrupted lines indicating that the length of the splash guard has been reduced for ease of illustration.

1 Claim, 2 Drawing Sheets



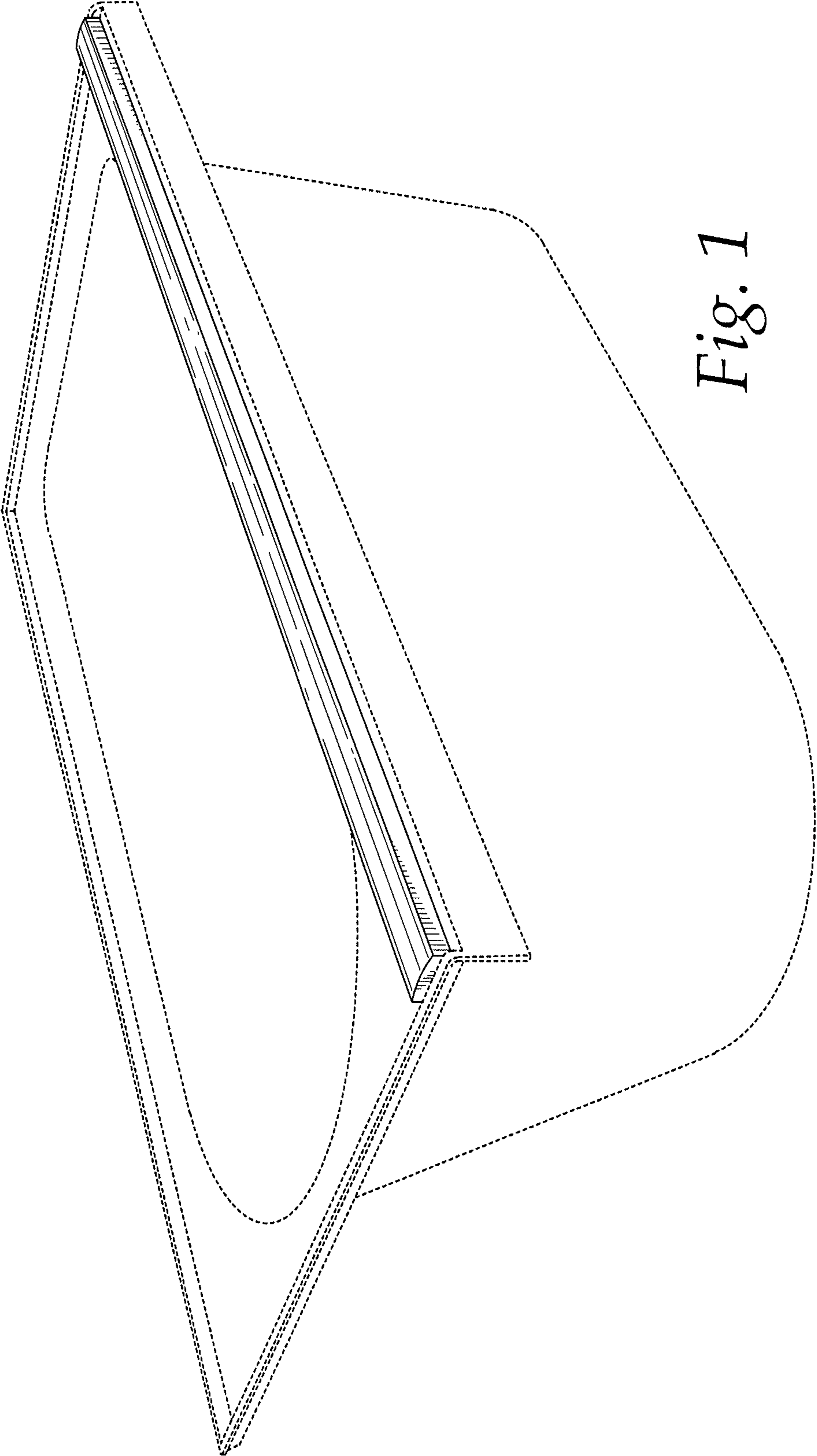


Fig. 1

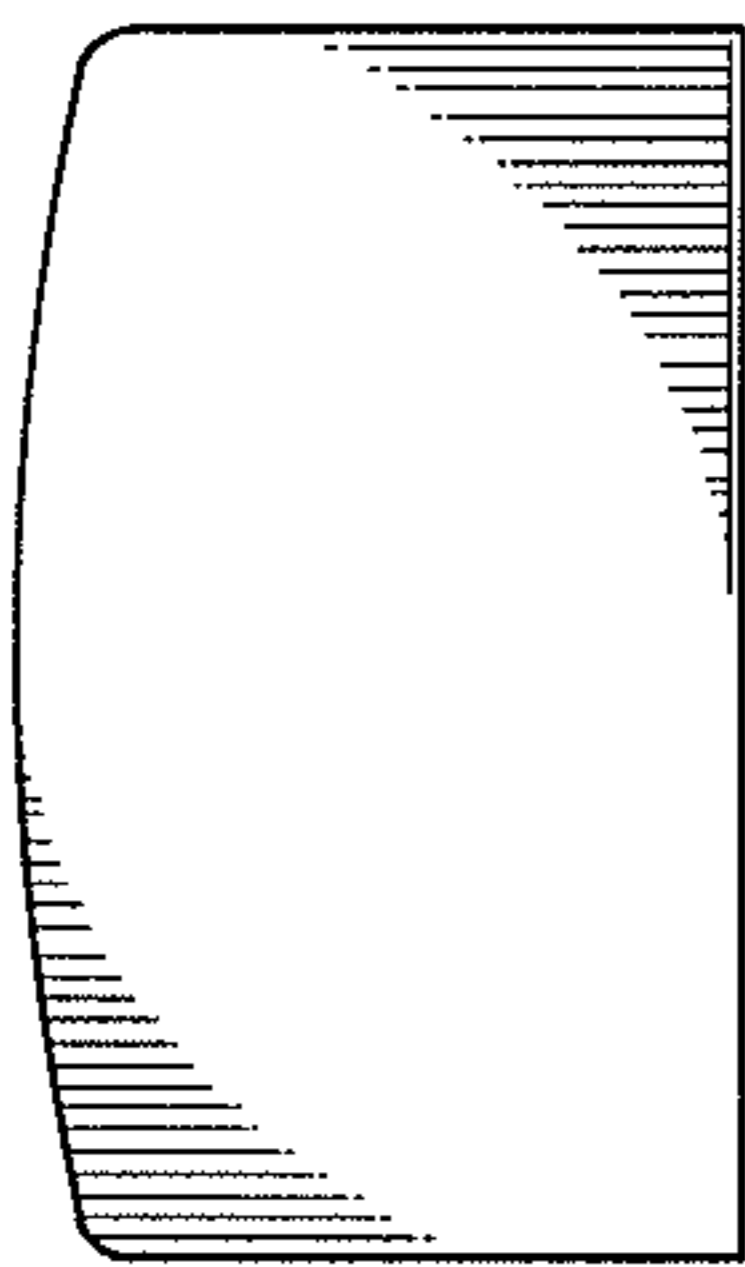


Fig. 3

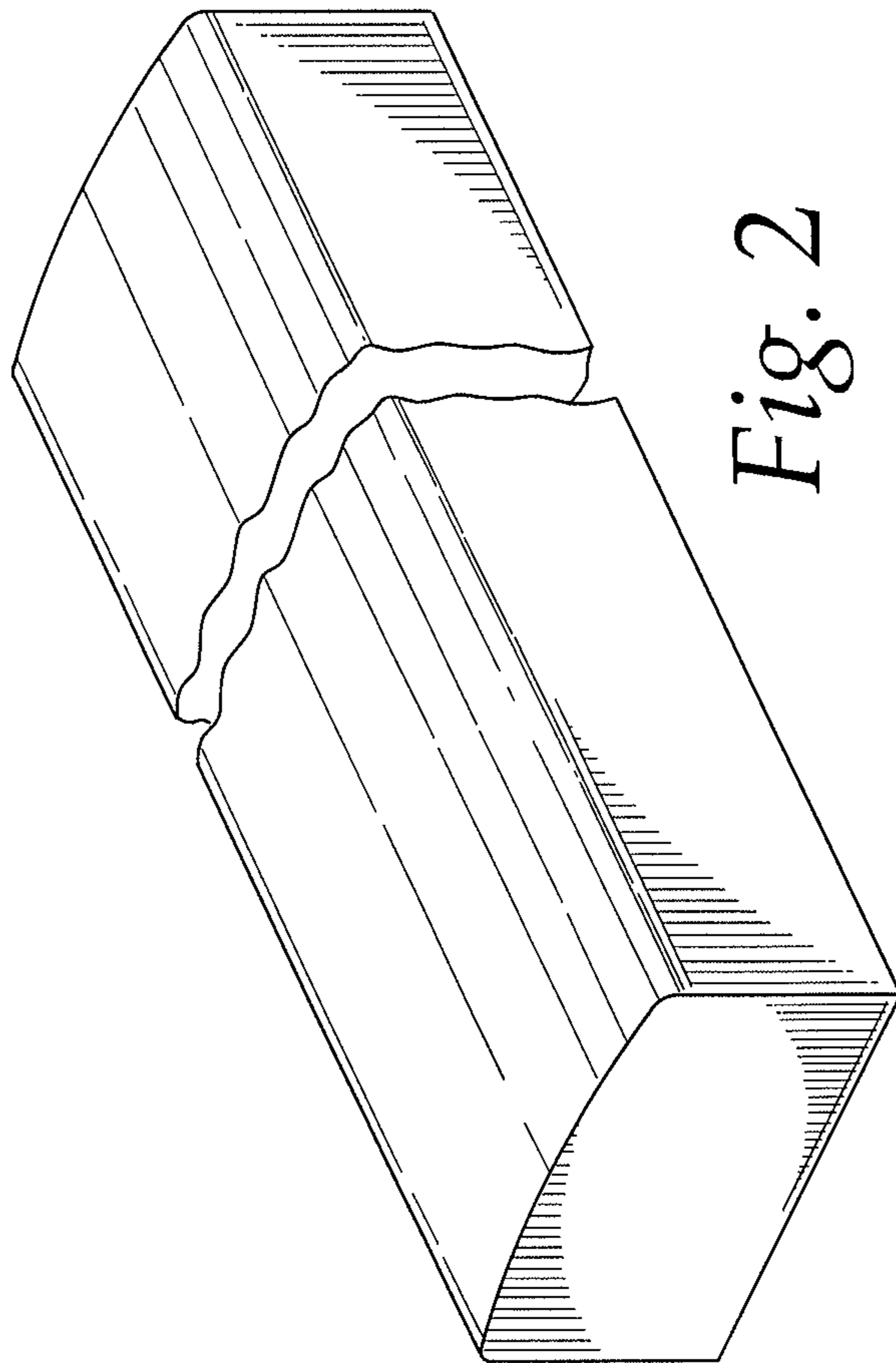


Fig. 2

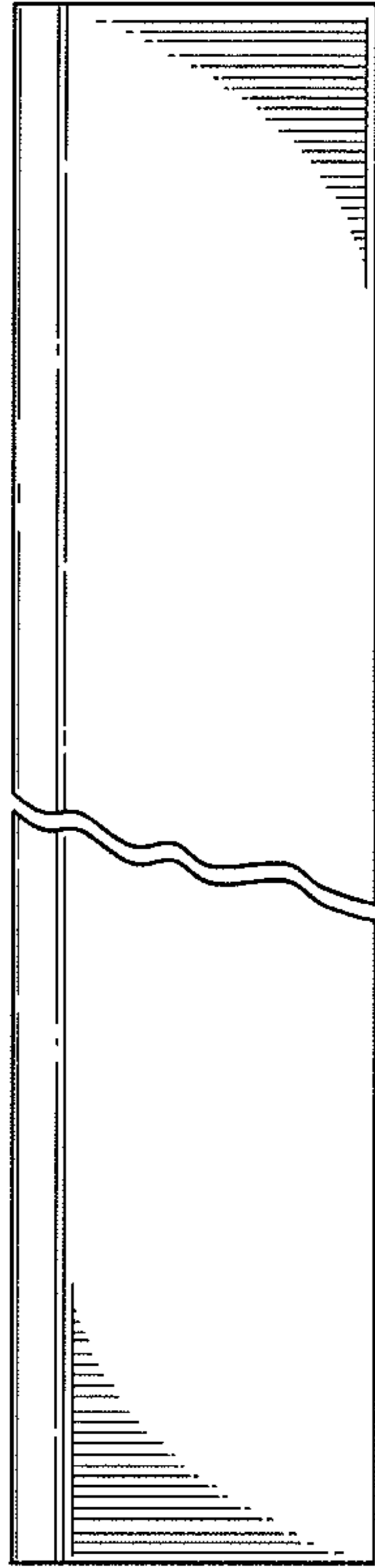


Fig. 4

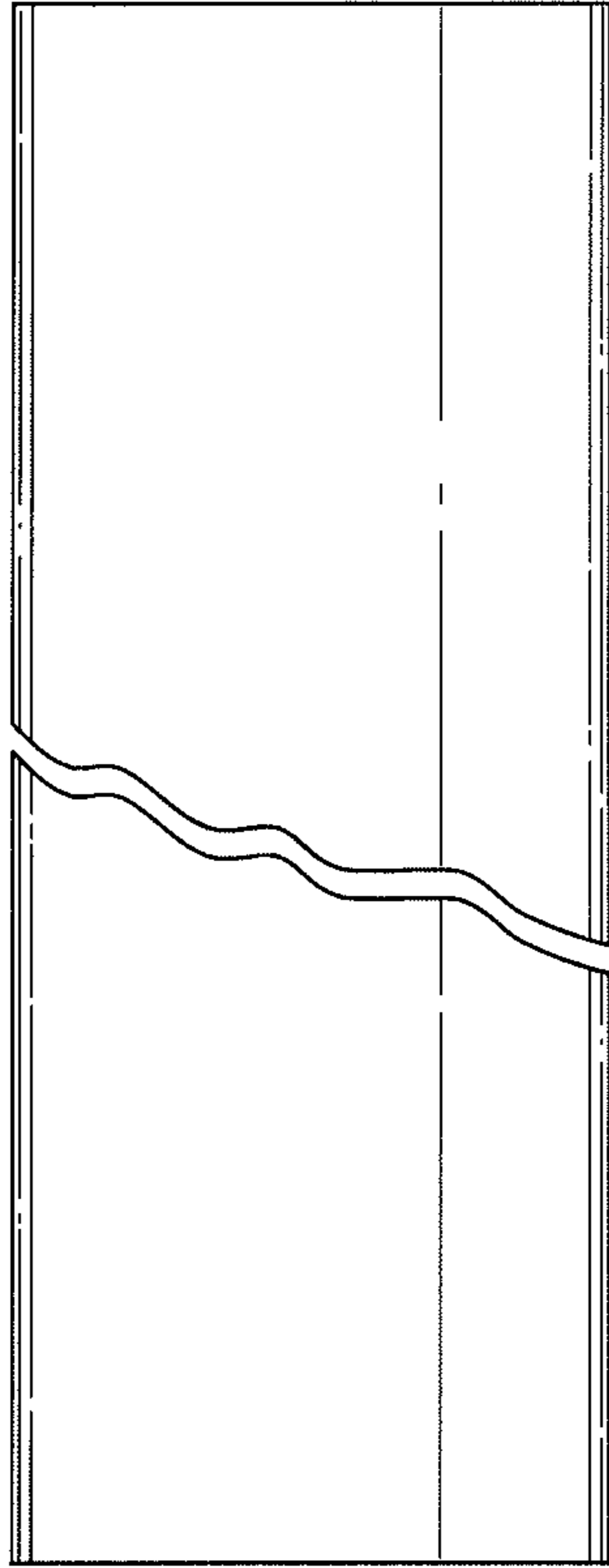


Fig. 5

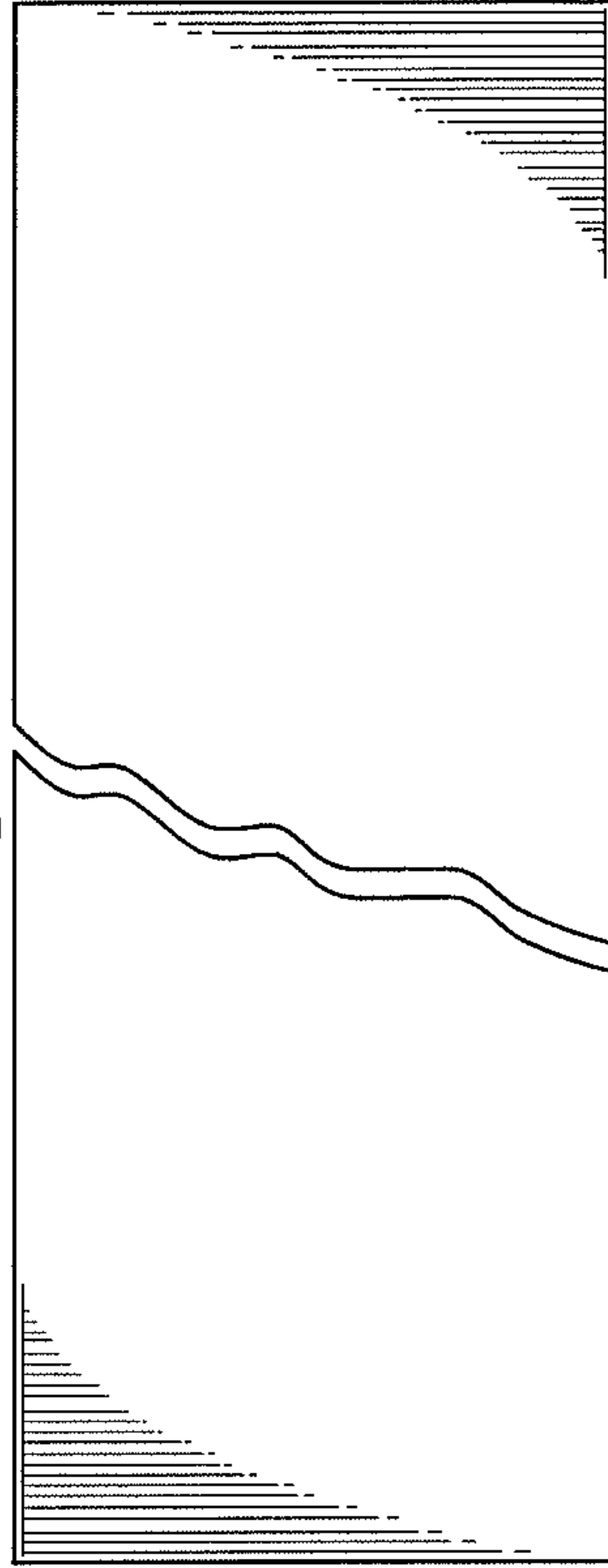


Fig. 6